

Fiat Uno

Service and Repair Manual

Peter G Strasman

Models covered

(923-320-3Y7)

Fiat Uno 45, 55, 60, 70, 1.1 and 1.4, including Turbo ie and special/limited editions

903 cc, 999 cc, 1108 cc, 1116 cc, 1299 cc, 1301 cc and 1372 cc petrol engines with manual transmissions

Does not Selecta, Fiorino type vans or Diesel engine

© Haynes Publishing 1996

A book in the Haynes Service and Repair Manual Series

All rights reserved. No part of this book may be reproduced or transmitted in any form or by any means, electronic or mechanical, including photocopying, recording or by any information storage or retrieval system, without permission in writing from the copyright holder.

ISBN 1 85960 089 1

British Library Cataloguing in Publication Data

A catalogue record for this book is available from the British Library.

ABCDE
FGHIJ
KLMNO
PQRST
1 2 3

Printed by J H Haynes & Co. Ltd, Sparkford, Nr Yeovil,
Somerset BA22 7JJ

Haynes Publishing
Sparkford, Nr Yeovil, Somerset BA22 7JJ, England

Haynes North America, Inc
861 Lawrence Drive, Newbury Park, California 91320, USA

Editions Haynes S.A.
147/149, rue Saint Honoré, 75001 Paris, France

Haynes Publishing Nordiska AB
Fyrisborgsgatan 5, 754 50 Uppsala, Sverige

Contents

LIVING WITH YOUR FIAT UNO

Introduction	Page	0•4
Safety First!	Page	0•5
General dimensions, weights and capacities	Page	0•6

Roadside Repairs

Jump starting	Page	0•7
Jacking, towing and wheel changing	Page	0•8
Identifying leaks	Page	0•9

Routine Maintenance and Servicing

Maintenance schedule (<i>also see Chapter 13</i>)	Page	0•10
Recommended Lubricants and Fluids	Page	0•13
Conversion factors	Page	0•14

Contents

REPAIRS & OVERHAUL

Engine and Associated Systems

Engine <i>(also see Chapter 13)</i>	Page	1•1
Cooling and heating systems <i>(also see Chapter 13)</i>	Page	2•1
Fuel system <i>(also see Chapter 13)</i>	Page	3•1
Ignition system <i>(also see Chapter 13)</i>	Page	4•1

Transmission

Clutch <i>(also see Chapter 13)</i>	Page	5•1
Transmission <i>(also see Chapter 13)</i>	Page	6•1
Driveshafts, hubs, roadwheels and tyres <i>(also see Chapter 13)</i>	Page	7•1

Brakes

Braking system <i>(also see Chapter 13)</i>	Page	8•1
---	------	-----

Electrical

Electrical system <i>(also see Chapter 13)</i>	Page	9•1
--	------	-----

Steering and suspension

Steering	Page	10•1
Suspension <i>(also see Chapter 13)</i>	Page	11•1

Bodywork

Bodywork <i>(also see Chapter 13)</i>	Page	12•1
---------------------------------------	------	------

Additional information

Supplement: Revisions and information on later models	Page	13•1
---	------	------

Wiring Diagrams

Page 14•1

REFERENCE

MOT Test Checks	Page	REF•1
Tools and Working Facilities	Page	REF•5
General Repair Procedures	Page	REF•8
Fault Finding	Page	REF•9
Buying Spare Parts & Vehicle Identification Numbers	Page	REF•12
Glossary of Technical Terms	Page	REF•13

Index

Page REF•17

Introduction to the Fiat Uno

The Fiat Uno is a well designed and constructed car having an excellent power-to-weight ratio.

The car is very economical, but still offers good performance with excellent body interior space.

Attractive features include the options available for four- or five-speeds or three- or five-door bodywork.

All essential accessories, except a radio, are fitted as standard and a sunroof is optionally available.

From the home mechanic's point of view all repair and servicing operations are straightforward without the need for special tools. Spare parts are immediately available at moderate cost.

Acknowledgements

Thanks are due to Champion Spark Plug who supplied the illustrations showing spark plug conditions. Certain other illustrations are the copyright of the Fiat Motor Company (UK) Limited and are used with their permission. Thanks are also due to Sykes-Pickavant Limited, who provided some of the workshop tools, and to all those people at Sparkford who helped in the production of this manual.

We take great pride in the accuracy of information given in this manual, but vehicle manufacturers make alterations and design changes during the production run of a particular vehicle of which they do not inform us. No liability can be accepted by the authors or publishers for loss, damage or injury caused by any errors in, or omissions from, the information given.



Fiat Uno 1301 cc Turbo ie



Fiat Uno 1372 cc 70 SX ie

Working on your car can be dangerous. This page shows just some of the potential risks and hazards, with the aim of creating a safety-conscious attitude.

General hazards

Scalding

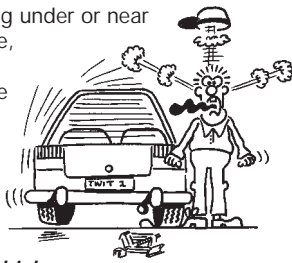
- Don't remove the radiator or expansion tank cap while the engine is hot.
- Engine oil, automatic transmission fluid or power steering fluid may also be dangerously hot if the engine has recently been running.

Burning

- Beware of burns from the exhaust system and from any part of the engine. Brake discs and drums can also be extremely hot immediately after use.

Crushing

- When working under or near a raised vehicle, always supplement the jack with axle stands, or use drive-on ramps.



Never venture under a car which is only supported by a jack.

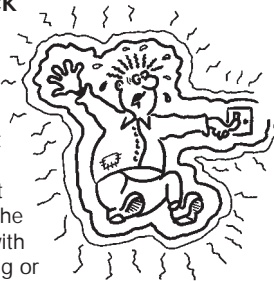
- Take care if loosening or tightening high-torque nuts when the vehicle is on stands. Initial loosening and final tightening should be done with the wheels on the ground.

Fire

- Fuel is highly flammable; fuel vapour is explosive.
- Don't let fuel spill onto a hot engine.
- Do not smoke or allow naked lights (including pilot lights) anywhere near a vehicle being worked on. Also beware of creating sparks (electrically or by use of tools).
- Fuel vapour is heavier than air, so don't work on the fuel system with the vehicle over an inspection pit.
- Another cause of fire is an electrical overload or short-circuit. Take care when repairing or modifying the vehicle wiring.
- Keep a fire extinguisher handy, of a type suitable for use on fuel and electrical fires.

Electric shock

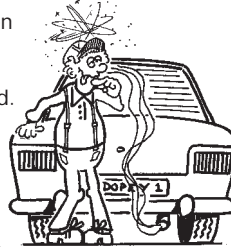
- Ignition HT voltage can be dangerous, especially to people with heart problems or a pacemaker. Don't work on or near the ignition system with the engine running or the ignition switched on.



- Mains voltage is also dangerous. Make sure that any mains-operated equipment is correctly earthed. Mains power points should be protected by a residual current device (RCD) circuit breaker.

Fume or gas intoxication

- Exhaust fumes are poisonous; they often contain carbon monoxide, which is rapidly fatal if inhaled. Never run the engine in a confined space such as a garage with the doors shut.
- Fuel vapour is also poisonous, as are the vapours from some cleaning solvents and paint thinners.



Poisonous or irritant substances

- Avoid skin contact with battery acid and with any fuel, fluid or lubricant, especially antifreeze, brake hydraulic fluid and Diesel fuel. Don't syphon them by mouth. If such a substance is swallowed or gets into the eyes, seek medical advice.
- Prolonged contact with used engine oil can cause skin cancer. Wear gloves or use a barrier cream if necessary. Change out of oil-soaked clothes and do not keep oily rags in your pocket.
- Air conditioning refrigerant forms a poisonous gas if exposed to a naked flame (including a cigarette). It can also cause skin burns on contact.

Asbestos

- Asbestos dust can cause cancer if inhaled or swallowed. Asbestos may be found in gaskets and in brake and clutch linings. When dealing with such components it is safest to assume that they contain asbestos.

Special hazards

Hydrofluoric acid

- This extremely corrosive acid is formed when certain types of synthetic rubber, found in some O-rings, oil seals, fuel hoses etc, are exposed to temperatures above 400°C. The rubber changes into a charred or sticky substance containing the acid. *Once formed, the acid remains dangerous for years. If it gets onto the skin, it may be necessary to amputate the limb concerned.*
- When dealing with a vehicle which has suffered a fire, or with components salvaged from such a vehicle, wear protective gloves and discard them after use.

The battery

- Batteries contain sulphuric acid, which attacks clothing, eyes and skin. Take care when topping-up or carrying the battery.
- The hydrogen gas given off by the battery is highly explosive. Never cause a spark or allow a naked light nearby. Be careful when connecting and disconnecting battery chargers or jump leads.

Air bags

- Air bags can cause injury if they go off accidentally. Take care when removing the steering wheel and/or facia. Special storage instructions may apply.

Warning: Never expose the hands, face or any other part of the body to injector spray; the fuel can penetrate the skin with potentially fatal results.

Remember...

DO

- Do use eye protection when using power tools, and when working under the vehicle.
- Do wear gloves or use barrier cream to protect your hands when necessary.
- Do get someone to check periodically that all is well when working alone on the vehicle.
- Do keep loose clothing and long hair well out of the way of moving mechanical parts.
- Do remove rings, wristwatch etc, before working on the vehicle – especially the electrical system.
- Do ensure that any lifting or jacking equipment has a safe working load rating adequate for the job.

DON'T

- Don't attempt to lift a heavy component which may be beyond your capability – get assistance.
- Don't rush to finish a job, or take unverified short cuts.
- Don't use ill-fitting tools which may slip and cause injury.
- Don't leave tools or parts lying around where someone can trip over them. Mop up oil and fuel spills at once.
- Don't allow children or pets to play in or near a vehicle being worked on.

0.6 General dimensions, weights and capacities

Dimensions

Overall length	3644 mm (143.6 in)
Overall width	1555 mm (61.3 in)
Height	1432 mm (56.4 in)
Wheelbase	2362 mm (93.1 in)
Front track	1340 mm (52.8 in)
Rear track	1300 mm (51.2 in)

Weights (kerb)

Uno 45:	
Three-door	700 kg (1543 lb)
Five-door	710 kg (1566 lb)
Uno 55:	
Three-door	730 kg (1610 lb)
Five-door	740 kg (1632 lb)
Uno 70:	
Three-door	740 kg (1632 lb)
Five-door	750 kg (1654 lb)
Uno SX:	
Three-door	770 kg (1698 lb)
Five-door	780 kg (1720 lb)

Capacities

Fuel tank	42.0 litre (9.25 gal)
Engine oil (with filter change):	
903 cc engine	3.42 litre (6.0 pint)
1116 and 1301 cc engines	4.10 litre (7.2 pint)
Transmission	2.40 litre (4.2 pint)
Steering box	140.0 cc
Driveshaft CV joints	125.0 cc
Cooling system:	
903 cc engine	4.6 litre (8.1 pint)
1116 cc engine	6.0 litre (10.6 pint)
1301 cc engine	6.2 litre (10.9 pint)

For information applicable to later models, see Supplement at end of manual

Jump starting

HAYNES
HINT

Jump starting will get you out of trouble, but you must correct whatever made the battery go flat in the first place. There are three possibilities:

- 1** The battery has been drained by repeated attempts to start, or by leaving the lights on.
- 2** The charging system is not working properly (alternator drivebelt slack or broken, alternator wiring fault or alternator itself faulty).
- 3** The battery itself is at fault (electrolyte low, or battery worn out).

When jump-starting a car using a booster battery, observe the following precautions:

- ✓ Before connecting the booster battery, make sure that the ignition is switched off.
- ✓ Ensure that all electrical equipment (lights, heater, wipers, etc) is switched off.

- ✓ Make sure that the booster battery is the same voltage as the discharged one in the vehicle.
- ✓ If the battery is being jump-started from the battery in another vehicle, the two vehicles **MUST NOT TOUCH** each other.
- ✓ Make sure that the transmission is in neutral (or PARK, in the case of automatic transmission).



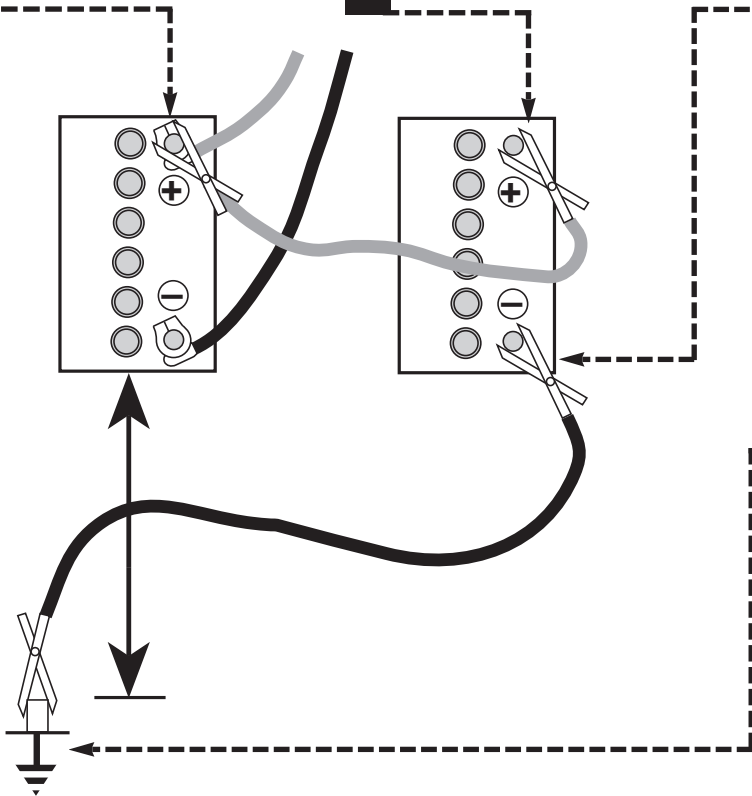
1 Connect one end of the red jump lead to the positive (+) terminal of the flat battery



2 Connect the other end of the red lead to the positive (+) terminal of the booster battery.



3 Connect one end of the black jump lead to the negative (-) terminal of the booster battery



4 Connect the other end of the black jump lead to a bolt or bracket on the engine block, well away from the battery, on the vehicle to be started.

5 Make sure that the jump leads will not come into contact with the fan, drivebelts or other moving parts of the engine.

6 Start the engine using the booster battery, then with the engine running at idle speed, disconnect the jump leads in the reverse order of connection.

Jacking, towing and wheel changing

To avoid repetition, the procedure for raising the vehicle, in order to carry out work under it, is not included before each relevant operation described in this Manual.

It is to be preferred, and it is certainly recommended, that the vehicle is positioned over an inspection pit or raised on a lift. Where these facilities are not available, use ramps or jack up the vehicle strictly in accordance with the following guide. Once the vehicle is raised, supplement the jack with axle stands.

Jacking

The jack supplied with the car should only be used to change a wheel. Do not use this jack when overhaul or repair work is being carried out; employ a hydraulic or screw jack and supplement it with axle stands.

Jacking points are located under the sills for use with the jack supplied.

To raise the front end with a garage jack, locate the jack under the transmission lower mounting, just below and slightly to the rear of the transmission oil drain plug. Protect the mounting by placing a block of wood between the jack head and the mounting.

To raise the rear of the car, the jack should be placed under the spare wheel housing as far to the rear as possible. Place a wooden bearer between the jack head and the housing.

Towing

When being towed, use the left-hand front towing eye.

When towing another vehicle, use the rear towing eye adjacent to the exhaust tailpipe.

When being towed, remember that the brake pedal will require heavier pressure due to lack of servo assistance. Always turn the

ignition key to MAR to retain the steering in the unlocked position.

Wheel changing

With the car on firm level ground, apply the handbrake fully. Remove the hub cap or wheel trim, if fitted.

Release, but do not remove, the bolts. Chock the front and rear of the opposite roadwheel and then raise the car using the sill jack supplied with the car if it is being done at the roadside. Alternatively use a workshop jack supplemented with axle stands.

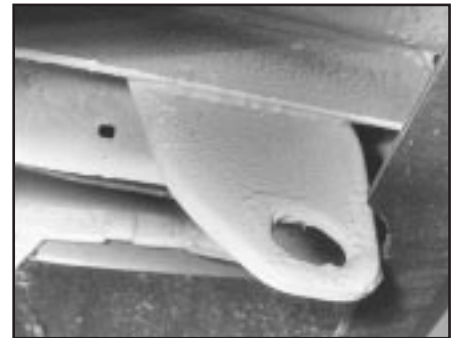
Remove the wheel bolts, change the wheel and screw in the bolts finger tight. It is recommended that the bolt threads are smeared with multi-purpose grease. Lower the car, remove the jack and tighten the wheel bolts to the specified torque. Refit any wheel trim that was removed.



Spare wheel and jack stowage



Front tow hook



Rear tow hook

Identifying leaks

Puddles on the garage floor or drive, or obvious wetness under the bonnet or underneath the car, suggest a leak that needs investigating. It can sometimes be difficult to decide where the leak is coming from, especially if the engine bay is very dirty already. Leaking oil or fluid can also be blown rearwards by the passage of air under the car, giving a false impression of where the problem lies.



Warning: Most automotive oils and fluids are poisonous. Wash them off skin, and change out of contaminated clothing, without delay.



The smell of a fluid leaking from the car may provide a clue to what's leaking. Some fluids are distinctively coloured. It may help to clean the car and to park it over some clean paper as an aid to locating the source of the leak. Remember that some leaks may only occur while the engine is running.

Sump oil



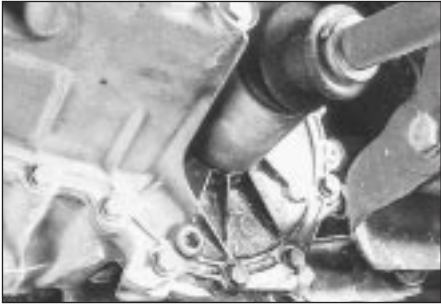
Engine oil may leak from the drain plug...

Oil from filter



...or from the base of the oil filter.

Gearbox oil



Gearbox oil can leak from the seals at the inboard ends of the driveshafts.

Antifreeze



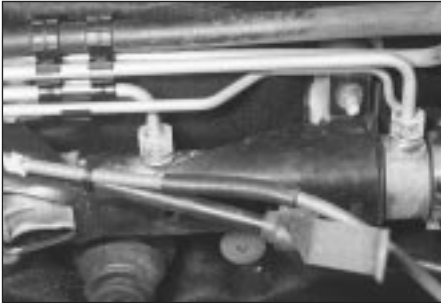
Leaking antifreeze often leaves a crystalline deposit like this.

Brake fluid



A leak occurring at a wheel is almost certainly brake fluid.

Power steering fluid



Power steering fluid may leak from the pipe connectors on the steering rack.

Maintenance is essential for ensuring safety and desirable for the purpose of getting the best in terms of performance and economy from the car. Over the years the need for periodic lubrication has been greatly reduced if not totally eliminated. This has unfortunately tended to lead some owners to think that because no such action is required the items either no longer exist or will last forever. This is certainly not the case; it is essential to carry out regular visual examinations as comprehensively as possible in order to spot any possible defects at an early stage before they develop into major and expensive repairs.

For information applicable to later models, see Supplement.

Every 250 miles (400 km), weekly, or before a long journey

- Check engine oil level
- Check brake reservoir fluid level
- Check tyre pressures
- Check operation of all lights and horn
- Top up washer fluid reservoirs, adding a screen wash, and check operation of washers and wipers
- Check coolant level
- Check battery electrolyte level

Every 6000 miles (10 000 km) or six months, whichever comes first

- Renew engine oil and filter (Chapter 1, Section 2)
- Check drivebelt tension (Chapter 2, Section 8)
- Check carburettor idle speed and mixture adjustments (Chapter 3)
- Check contact points and dwell angle (mechanical breaker distributors) (Chapter 4, Section 3)
- Check tyre tread wear (Chapter 7, Section 7)
- Check disc pads for wear (Chapter 8, Section 3)

Every 12 000 miles (20 000 km) or 12 months, whichever comes first

- Check and adjust valve clearances (Chapter 1, Sections 5 and 26)
- Renew air cleaner element (Chapter 3, Section 2)

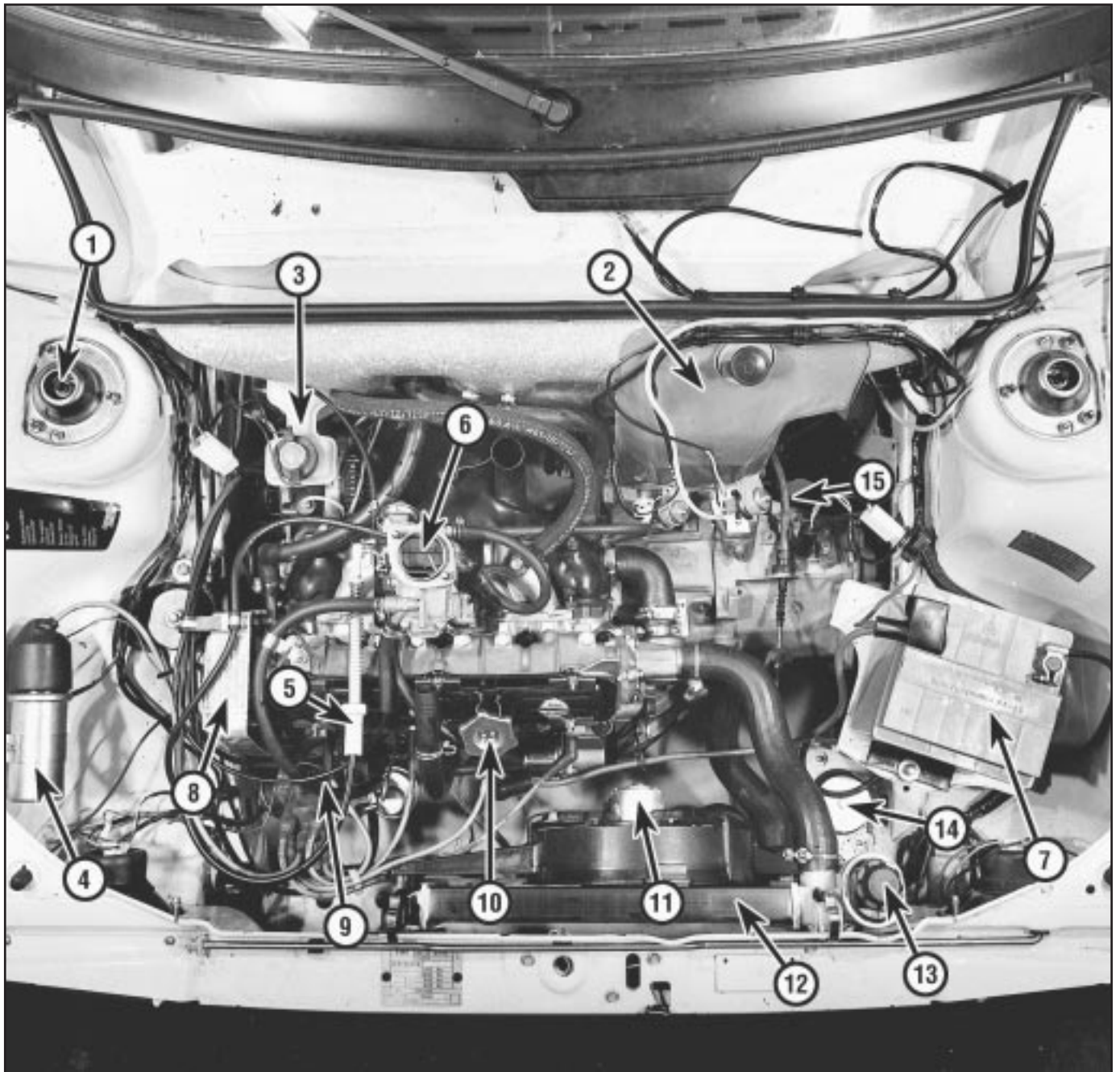
- Check exhaust system for corrosion (Chapter 3, Section 19)
- Renew contact breaker points and adjust dwell angle (mechanical breaker distributors) (Chapter 4, Section 3)
- Check and adjust ignition timing (Chapter 4, Section 4)
- Renew spark plugs (Chapter 4, Section 11)
- Check clutch adjustment (Chapter 5, Section 2)
- Check transmission oil level (Chapter 6, Section 2)
- Check driveshaft and steering rack gaiters for splits (Chapters 7 and 10)
- Check rear brake shoe linings for wear (Chapter 8, Section 4)
- Check handbrake travel (Chapter 8, Section 16)
- Check headlamp beam alignment (Chapter 9, Section 17)
- Check balljoints for wear (Chapter 10, Section 2)
- Check front wheel alignment (Chapter 10, Section 8)
- Check suspension bushes for wear (Chapter 11, Section 2)
- Check seat belts for fraying (Chapter 12, Section 23)
- Lubricate controls, hinges and locks

Every 24 000 miles (40 000 km) or two years, whichever comes first

- Renew coolant anti-freeze mixture (Chapter 2, Section 3)
- Renew transmission oil (Chapter 6, Section 2)
- Renew brake hydraulic fluid (Chapter 8, Section 12)
- Check for underbody corrosion and clean out door and sill drain holes (Chapter 12, Section 2)

Every 36 000 miles (60 000 km) or three years, whichever comes first

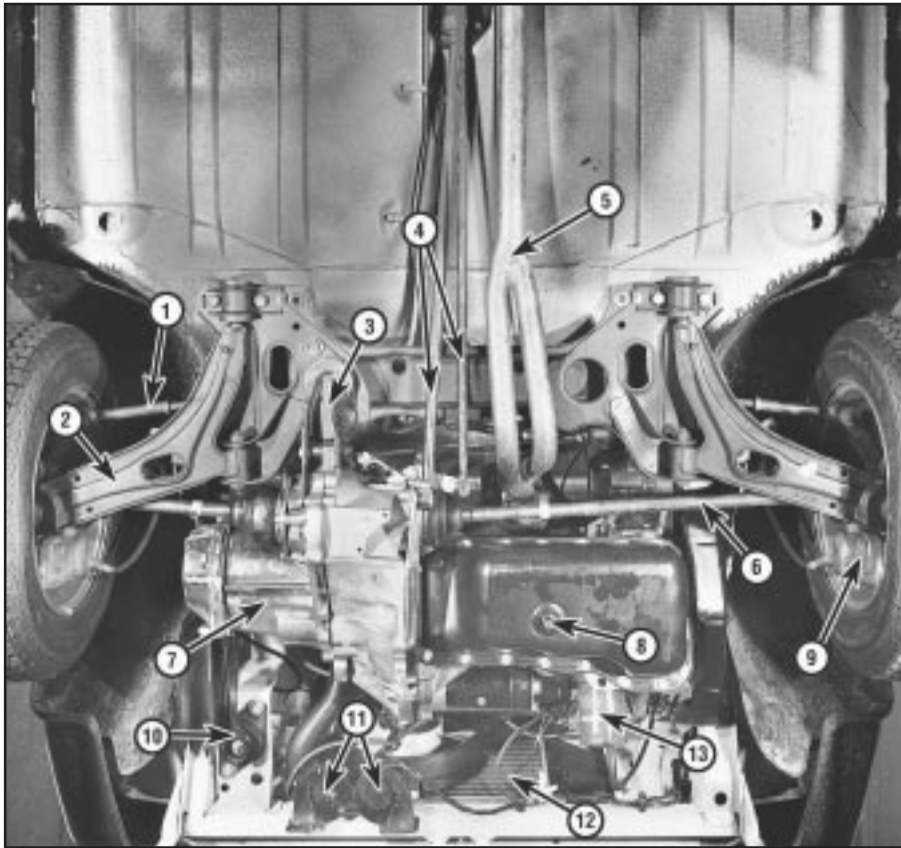
- Renew the timing belt - 1116 and 1299/1301 cc (Chapter 1, Section 28)



Engine compartment (air cleaner removed for clarity) on 55S model

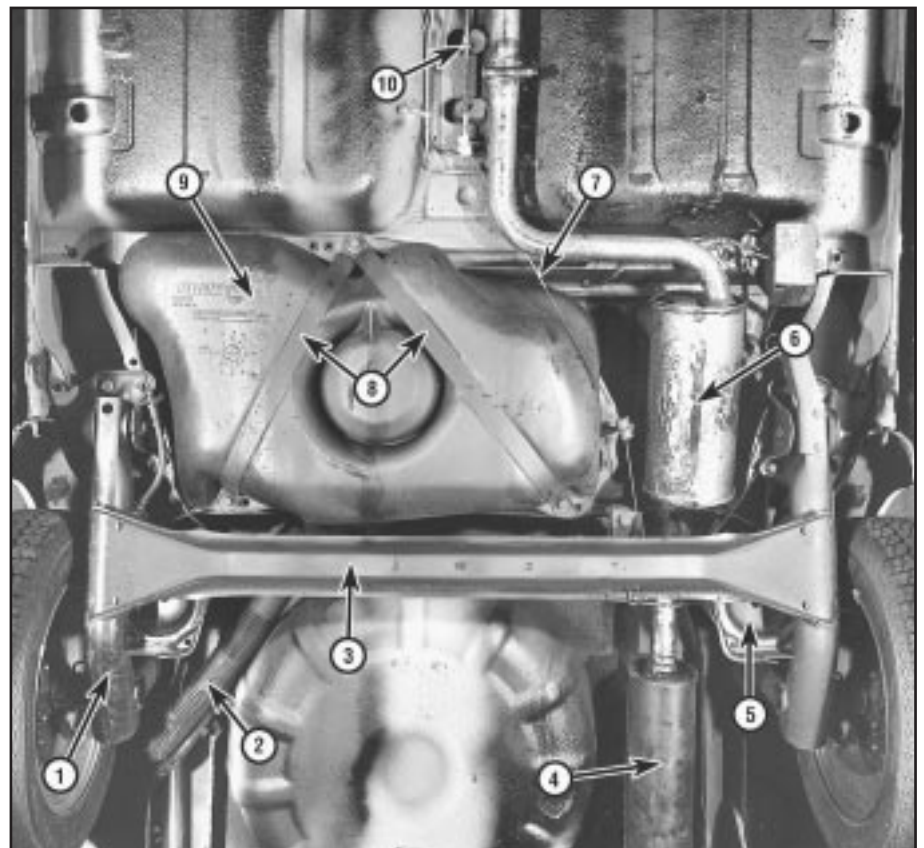
- | | | | |
|--------------------------|---------------------|----------------------------------|---------------------------|
| 1 Strut upper mounting | 5 Throttle cable | 9 Distributor | 12 Radiator |
| 2 Washer fluid reservoir | 6 Carburettor | 10 Oil filler cap | 13 Coolant expansion tank |
| 3 Brake fluid reservoir | 7 Battery | 11 Radiator electric cooling fan | 14 Front mounting |
| 4 Ignition coil | 8 Timing belt cover | | 15 Clutch operating cable |

0•12 Routine maintenance



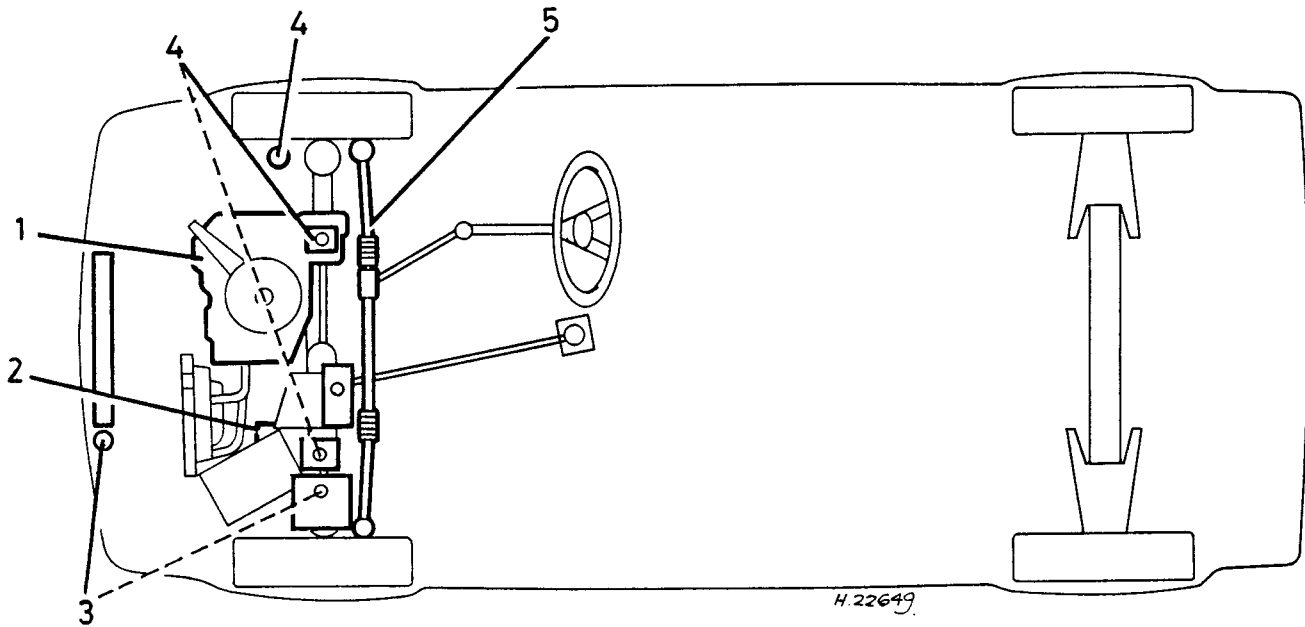
View of front end from below on
55S model

- 1 Tie-rod end
- 2 Track control arm
- 3 Lower mounting
- 4 Gearchange control rods
- 5 Exhaust pipe
- 6 Driveshafts
- 7 Transmission
- 8 Sump drain plug
- 9 Disc caliper
- 10 Front mounting
- 11 Horns
- 12 Radiator
- 13 Oil filter



View of rear end from below

- 1 Suspension trailing arm
- 2 Fuel tank filler hose
- 3 Rear axle beam
- 4 Rear silencer
- 5 Spring seat
- 6 Expansion box
- 7 Handbrake cable
- 8 Fuel tank support strap
- 9 Fuel tank
- 10 Handbrake cable adjuster



Component or system

Lubricant type/specification

1 Engine

Multigrade engine oil, viscosity SAE 15W/40, meeting API-SG or CCMC G2/G3 specification (or equivalent multigrade engine oil with viscosity rating suitable for ambient temperature in which vehicle is operated - see owner's handbook)

2 Transmission:

1372 cc Turbo ie model
All other models

FIAT ZC 80/S gear oil
FIAT ZC 90 gear oil

3 Cooling system

Ethylene glycol based antifreeze

4 Brake and clutch hydraulic system(s)

Hydraulic fluid to DOT 3 or 4, or SAE J1703C

5 Driveshaft CV joints and steering rack

Lithium based molybdenum disulphide

General greasing

Multi-purpose lithium based grease

0•14 Conversion Factors

Length (distance)

Inches (in)	x 25.4 = Millimetres (mm)	x 0.0394 = Inches (in)
Feet (ft)	x 0.305 = Metres (m)	x 3.281 = Feet (ft)
Miles	x 1.609 = Kilometres (km)	x 0.621 = Miles

Volume (capacity)

Cubic inches (cu in; in ³)	x 16.387 = Cubic centimetres (cc; cm ³)	x 0.061 = Cubic inches (cu in; in ³)
Imperial pints (Imp pt)	x 0.568 = Litres (l)	x 1.76 = Imperial pints (Imp pt)
Imperial quarts (Imp qt)	x 1.137 = Litres (l)	x 0.88 = Imperial quarts (Imp qt)
Imperial quarts (Imp qt)	x 1.201 = US quarts (US qt)	x 0.833 = Imperial quarts (Imp qt)
US quarts (US qt)	x 0.946 = Litres (l)	x 1.057 = US quarts (US qt)
Imperial gallons (Imp gal)	x 4.546 = Litres (l)	x 0.22 = Imperial gallons (Imp gal)
Imperial gallons (Imp gal)	x 1.201 = US gallons (US gal)	x 0.833 = Imperial gallons (Imp gal)
US gallons (US gal)	x 3.785 = Litres (l)	x 0.264 = US gallons (US gal)

Mass (weight)

Ounces (oz)	x 28.35 = Grams (g)	x 0.035 = Ounces (oz)
Pounds (lb)	x 0.454 = Kilograms (kg)	x 2.205 = Pounds (lb)

Force

Ounces-force (ozf; oz)	x 0.278 = Newtons (N)	x 3.6 = Ounces-force (ozf; oz)
Pounds-force (lbf; lb)	x 4.448 = Newtons (N)	x 0.225 = Pounds-force (lbf; lb)
Newtons (N)	x 0.1 = Kilograms-force (kgf; kg)	x 9.81 = Newtons (N)

Pressure

Pounds-force per square inch (psi; lbf/in ² ; lb/in ²)	x 0.070 = Kilograms-force per square centimetre (kgf/cm ² ; kg/cm ²)	x 14.223 = Pounds-force per square inch (psi; lbf/in ² ; lb/in ²)
Pounds-force per square inch (psi; lbf/in ² ; lb/in ²)	x 0.068 = Atmospheres (atm)	x 14.696 = Pounds-force per square inch (psi; lbf/in ² ; lb/in ²)
Pounds-force per square inch (psi; lbf/in ² ; lb/in ²)	x 0.069 = Bars	x 14.5 = Pounds-force per square inch (psi; lbf/in ² ; lb/in ²)
Pounds-force per square inch (psi; lbf/in ² ; lb/in ²)	x 6.895 = Kilopascals (kPa)	x 0.145 = Pounds-force per square inch (psi; lbf/in ² ; lb/in ²)
Kilopascals (kPa)	x 0.01 = Kilograms-force per square centimetre (kgf/cm ² ; kg/cm ²)	x 98.1 = Kilopascals (kPa)
Millibar (mbar)	x 100 = Pascals (Pa)	x 0.01 = Millibar (mbar)
Millibar (mbar)	x 0.0145 = Pounds-force per square inch (psi; lbf/in ² ; lb/in ²)	x 68.947 = Millibar (mbar)
Millibar (mbar)	x 0.75 = Millimetres of mercury (mmHg)	x 1.333 = Millibar (mbar)
Millibar (mbar)	x 0.401 = Inches of water (inH ₂ O)	x 2.491 = Millibar (mbar)
Millimetres of mercury (mmHg)	x 0.535 = Inches of water (inH ₂ O)	x 1.868 = Millimetres of mercury (mmHg)
Inches of water (inH ₂ O)	x 0.036 = Pounds-force per square inch (psi; lbf/in ² ; lb/in ²)	x 27.68 = Inches of water (inH ₂ O)

Torque (moment of force)

Pounds-force inches (lbf in; lb in)	x 1.152 = Kilograms-force centimetre (kgf cm; kg cm)	x 0.868 = Pounds-force inches (lbf in; lb in)
Pounds-force inches (lbf in; lb in)	x 0.113 = Newton metres (Nm)	x 8.85 = Pounds-force inches (lbf in; lb in)
Pounds-force inches (lbf in; lb in)	x 0.083 = Pounds-force feet (lbf ft; lb ft)	x 12 = Pounds-force inches (lbf in; lb in)
Pounds-force feet (lbf ft; lb ft)	x 0.138 = Kilograms-force metres (kgf m; kg m)	x 7.233 = Pounds-force feet (lbf ft; lb ft)
Pounds-force feet (lbf ft; lb ft)	x 1.356 = Newton metres (Nm)	x 0.738 = Pounds-force feet (lbf ft; lb ft)
Newton metres (Nm)	x 0.102 = Kilograms-force metres (kgf m; kg m)	x 9.804 = Newton metres (Nm)

Power

Horsepower (hp)	x 745.7 = Watts (W)	x 0.0013 = Horsepower (hp)
-----------------	---------------------	----------------------------

Velocity (speed)

Miles per hour (miles/hr; mph)	x 1.609 = Kilometres per hour (km/hr; kph)	x 0.621 = Miles per hour (miles/hr; mph)
--------------------------------	--	--

Fuel consumption*

Miles per gallon (mpg)	x 0.354 = Kilometres per litre (km/l)	x 2.825 = Miles per gallon (mpg)
------------------------	---------------------------------------	----------------------------------

Temperature

Degrees Fahrenheit = (°C x 1.8) + 32	Degrees Celsius (Degrees Centigrade; °C) = (°F - 32) x 0.56
--------------------------------------	---

* It is common practice to convert from miles per gallon (mpg) to litres/100 kilometres (l/100km), where mpg x l/100 km = 282

Chapter 1 Engine

For modifications, and information applicable to later models, see Supplement at end of manual

Contents

Part 1: General

Crankcase ventilation system	3
Description	1
Engine oil and filter	2
Major operations possible without removing the engine from the car	4

Part 2: 903 cc engine

Cylinder head - dismantling and decarbonising	17
Cylinder head - removal and refitting	7
Engine - complete dismantling	16
Engine - complete reassembly	20
Engine - dismantling (general)	14
Engine - initial start-up after overhaul or major repair	24
Engine - method of removal	12
Engine - reassembly (general)	19
Engine - refitting ancillary components	21
Engine - removing ancillary components	15
Engine mountings - renewal	11
Engine/transmission - reconnection	22
Engine/transmission - refitting	23
Engine/transmission - removal and separation	13
Examination and renovation	18
Fault finding - all engines	See end of Chapter
Oil pump - removal and refitting	10
Pistons/connecting rods - removal and refitting	9






Sump pan - removal and refitting	8
Timing chain and sprockets - removal and refitting	6
Valve clearances - adjustment	5

Part 3: 1116 cc and 1301 cc engines

Camshaft and camshaft carrier - removal and refitting	27
Cylinder head - dismantling and decarbonising	39
Cylinder head - removal and refitting	29
Engine - complete dismantling	38
Engine - complete reassembly	42
Engine - dismantling (general)	36
Engine - initial start-up after major overhaul	45
Engine - method of removal	34
Engine - reassembly (general)	41
Engine ancillary components - refitting	43
Engine ancillary components - removal	37
Engine mountings - renewal	33
Engine/transmission - reconnection and refitting	44
Engine/transmission - removal and separation	35
Examination and renovation	40
Fault finding - all engines	See end of Chapter
Oil pump - removal and refitting	31
Pistons/connecting rods - removal and refitting	32
Sump pan - removal and refitting	30
Timing belt - renewal	28
Valve clearances - adjustment	26
Valve clearances - checking	25

1

Degrees of difficulty

Easy , suitable for novice with little experience 	Fairly easy , suitable for beginner with some experience 	Fairly difficult , suitable for competent DIY mechanic 	Difficult , suitable for experienced DIY mechanic 	Very difficult , suitable for expert DIY or professional 
---	--	--	---	--

Specifications

903 cc engine

Type	Four cylinder in-line, liquid cooled, overhead valve. Transversely mounted with end-on transmission
General	
Bore	65.0 mm (2.56 in)
Stroke	68.0 mm (2.68 in)
Displacement	903 cc (55 cu in)
Compression ratio:	
900 models	9.0 : 1
900 ES models	9.7 : 1
Maximum power (DIN)	33.1 kW at 5600 rev/min (45 bhp)
Maximum torque (DIN):	
900 models	68 Nm at 3000 rev/min (49 lbf ft)
900 ES models	69 Nm at 3000 rev/min (51 lbf ft)
Compression pressure	9.3 to 10.35 bar (135 to 150 lbf/in ²)
Maximum pressure difference between cylinders	0.69 bar (10 lbf/in ²)
Firing order	1 - 3 - 4 - 2 (No. 1 at crankshaft pulley end)

1•2 Engine – general

Cylinder block and crankcase

Material	Cast-iron
Bore diameter	65.000 to 65.050 mm (2.5591 to 2.5610 in)
Diameter of camshaft bearing bores in crankcase timing gear end:	
Grade B	50.505 to 50.515 mm (1.9882 to 1.9886 in)
Grade C	50.515 to 50.525 mm (1.9886 to 1.9890 in)
Grade D	50.705 to 50.715 mm (1.9960 to 1.9964 in)
Grade E	50.715 to 50.725 mm (1.9964 to 1.9968 in)
Centre	46.420 to 46.450 mm (1.8275 to 1.8287 in)
Flywheel end	35.921 to 35.951 mm (1.4142 to 1.4154 in)
Maximum cylinder bore taper	0.015 mm (0.0006 in)
Maximum cylinder bore ovality	0.015 mm (0.0006 in)

Pistons and piston rings

Piston diameter:	
Grade A	64.940 to 64.950 mm (2.5566 to 2.5570 in)
Grade C	64.960 to 64.970 mm (2.5574 to 2.5578 in)
Grade E	64.980 to 64.990 mm (2.5582 to 2.5586 in)
Oversizes	0.2, 0.4, 0.6 mm (0.008, 0.016, 0.024 in)
Piston clearance in cylinder bore	0.050 to 0.070 mm (0.0020 to 0.0028 in)
Piston ring groove width:	
Top	1.785 to 1.805 mm (0.0703 to 0.0711 in)
Second	2.015 to 2.035 mm (0.0793 to 0.0801 in)
Bottom	3.975 to 3.977 mm (0.1566 to 0.1567 in)
Piston ring thickness:	
Top	1.728 to 1.740 mm (0.0680 to 0.0685 in)
Second	1.978 to 1.990 mm (0.0779 to 0.0784 in)
Bottom	3.925 to 3.937 mm (0.1545 to 0.1550 in)
Piston ring groove clearance:	
Top	0.045 to 0.077 mm (0.0018 to 0.0030 in)
Second	0.025 to 0.057 mm (0.0010 to 0.0022 in)
Bottom	0.020 to 0.052 mm (0.0008 to 0.0020 in)
Piston ring end gap:	
Top	0.25 to 0.45 mm (0.0098 to 0.0177 in)
Second	0.20 to 0.35 mm (0.0078 to 0.0137 in)
Bottom	0.20 to 0.45 mm (0.0078 to 0.0177 in)
Oversize piston rings	0.2, 0.4, 0.6 mm (0.008, 0.016, 0.024 in)
Gudgeon pin diameter:	
Grade 1	19.970 to 19.974 mm (0.7862 to 0.7863 in)
Grade 2	19.974 to 19.978 mm (0.7863 to 0.7865 in)
Grade 3	19.978 to 19.982 mm (0.7865 to 0.7866 in)
Oversize	0.2 mm (0.008 in)

Crankshaft

Journal diameter	50.785 to 50.805 mm (1.9994 to 2.0002 in)
Standard main bearing shell thickness	1.832 to 1.837 mm (0.0721 to 0.0723 in)
Undersizes	0.254, 0.508, 0.762, 1.016 mm (0.010, 0.020, 0.030, 0.040 in)
Crankshaft endfloat	0.06 to 0.26 mm (0.0024 to 0.0102 in)
Crankpin diameter	39.985 to 40.005 mm (1.5741 to 1.5750 in)
Standard big-end shell bearing thickness	1.807 to 1.813 mm (0.0712 to 0.0714 in)
Undersizes	0.254, 0.508, 0.762, 1.016 mm (0.010, 0.020, 0.030, 0.040 in)

Camshaft

Diameter of camshaft journals:	
Timing end	37.975 to 38.000 mm (1.4951 to 1.4961 in)
Centre	43.348 to 43.373 mm (1.7079 to 1.7088 in)
Flywheel end	30.975 to 31.000 mm (1.2194 to 1.2205 in)
Bush reamed diameters:	
Timing gear end*	38.025 to 38.050 mm (1.4971 to 1.4981 in)
Centre	43.404 to 43.424 mm (1.7088 to 1.7096 in)
Flywheel end	31.026 to 31.046 mm (1.2215 to 1.2223 in)
<i>*Supplied reamed to size</i>	
Cam lift	5.1 mm (0.201 in)
Outside diameter of cam follower	13.982 to 14.000 mm (0.5505 to 0.5512 in)
Oversizes	0.05 to 0.010 mm (0.002 to 0.004 in)
Cam follower running clearance	0.010 to 0.046 mm (0.0004 to 0.0018 in)

Cylinder head and valves

Material (cylinder head)	Light alloy
Maximum distortion	0.05 mm (0.002 in)
Valve guide bore in head	12.950 to 12.977 mm (0.5099 to 0.5109 in)
Valve guide outside diameter	13.010 to 13.030 mm (0.5122 to 0.5130 in)
Valve guide oversizes	0.5, 0.10, 0.25 mm (0.002, 0.004, 0.010 in)
Inside diameter of valve guide (reamed)	7.022 to 7.040 mm (0.2765 to 0.2772 in)
Guide fit in head (interference)	0.033 to 0.080 mm (0.0013 to 0.0032 in)
Valve stem diameter	6.982 to 7.000 mm (0.2748 to 0.2756 in)
Maximum clearance (valve stem to guide)	0.022 to 0.058 mm (0.0009 to 0.0023 in)
Valve seat angle	44° 55' to 45° 05'
Valve face angle	45° 25' to 45° 35'
Valve head diameter:	
Inlet	29.0 mm (1.1417 in)
Exhaust	26.0 mm (1.0236 in)
Contact band (valve to seat)	1.3 to 1.5 mm (0.0512 to 0.0591 in)
Valve clearance:	
Inlet	0.15 mm (0.006 in)
Exhaust	0.20 mm (0.008 in)
For timing check	0.60 mm (0.024 in)
Valve timing:	
Inlet valve:	
Opens	7° BTDC
Closes	36° ABDC
Exhaust valve:	
Opens	38° BBDC
Closes	5° ATDC

Lubrication system

Oil pump type	Gear, driven by shaft from camshaft
Tooth tip to body clearance	0.05 to 0.14 mm (0.0020 to 0.0055 in)
Gear endfloat	0.020 to 0.105 mm (0.0008 to 0.0041 in)
Oil pressure at normal operating temperature and average road/ engine speed	2.94 to 3.92 bar (42 to 57 lbf/in ²)
Oil capacity (with filter change)	3.42 litre (6.0 pint)
Oil type/specification	Multigrade engine oil, viscosity SAE 15W/40
Oil filter	Champion C101

Torque wrench settings

	Nm	lbf ft
Cylinder head bolts:		
Stage 1	30	22
Stage 2	59	43.5
Camshaft sprocket bolt	49	36
Main bearing cap bolts	69	51
Big-end bearing cap bolts	41	30
Crankshaft pulley nut	98	72
Flywheel bolts	44	32
Rocker pedestal nuts	39	29
Engine mounting bracket bolts	25	18
Engine mounting centre nuts	49	36
Exhaust manifold nuts	20	15
Spark plugs	25	18
Temperature sender switch	49	36
Driveshaft to hub nuts	272	200
Hub carrier to strut clamp bolts	49	36
Roadwheel bolts	86	63
Brake caliper mounting bolts	53	39
Tie-rod end balljoint nuts	34	25
Driveshaft inboard boot retainer bolts	9	7

1•4 Engine – general

1116 cc and 1301 cc engine

Type	Four cylinder in-line, liquid cooled single overhead camshaft. Transversely mounted with end-on transmission	
General	1116 cc	1301 cc
Bore	80.0 mm (3.15 in)	86.4 mm (3.40 in)
Stroke	55.5 mm (2.19 in)	55.5 mm (2.19 in)
Displacement	1116 cc (68.08 cu in)	1301 cc (79.36 cu in)
Compression ratio	9.2 : 1	9.1 : 1
Maximum power (DIN)	40.5 kW (55 bhp) at 5600 rev/min	50 kW (68 bhp) at 5700 rev/min
Maximum torque (DIN)	86.3 Nm (64 lbf ft) at 2900 rev/min	100 Nm (74 lbf ft) at 2900 rev/min
Compression pressure (bore wear test)	10.35 to 11.73 bar (150 to 170 lbf/in ²)	
Pressure difference between cylinders	0.96 bar (14 lbf/ in ²)	
Firing order	1 - 3 - 4 - 2 (No. 1 at crankshaft pulley end)	

Pistons and piston rings

Piston diameter - 1116 cc:	
Grade A	79.940 to 79.950 mm (3.1496 to 3.1500 in)
Grade C	79.960 to 79.970 mm (3.1504 to 3.1508 in)
Grade E	79.980 to 79.990 mm (3.1512 to 3.1516 in)
Piston diameter - 1301 cc:	
Grade A	86.320 to 86.330 mm (3.4010 to 3.4014 in)
Grade C	86.340 to 86.350 mm (3.4018 to 3.4022 in)
Grade E	86.360 to 86.370 mm (3.4025 to 3.4030 in)
Oversizes	0.2, 0.4, 0.6 mm (0.008, 0.016, 0.023 in)
Piston clearance in cylinder bore:	
1116 cc	0.050 to 0.070 mm (0.0020 to 0.0027 in)
1301 cc	0.070 to 0.090 mm (0.0027 to 0.0035 in)
Piston ring groove width - 1116 cc:	
Top	1.535 to 1.555 mm (0.1442 to 0.1461 in)
Second	2.015 to 2.035 mm (0.0794 to 0.0802 in)
Bottom	3.957 to 3.977 mm (0.1559 to 0.1567 in)
Piston ring groove width - 1301 cc:	
Top	1.535 to 1.555 mm (0.0605 to 0.0613 in)
Second	2.030 to 2.050 mm (0.0800 to 0.0808 in)
Bottom	3.967 to 3.987 mm (0.1563 to 0.1571 in)
Piston ring thickness:	
Top	1.478 to 1.490 mm (0.0582 to 0.0587 in)
Second	1.978 to 1.990 mm (0.0779 to 0.0784 in)
Bottom	3.925 to 3.937 mm (0.1546 to 0.1551 in)
Oversizes	0.2, 0.4, 0.6 mm (0.008, 0.016, 0.023 in)
Piston ring groove clearance - 1116 cc:	
Top	0.045 to 0.077 mm (0.0018 to 0.0030 in)
Second	0.025 to 0.057 mm (0.0010 to 0.0022 in)
Bottom	0.020 to 0.052 mm (0.0008 to 0.0020 in)
Piston ring groove clearance - 1301 cc:	
Top	0.045 to 0.077 mm (0.0018 to 0.0030 in)
Second	0.040 to 0.072 mm (0.0016 to 0.0028 in)
Bottom	0.030 to 0.062 mm (0.0012 to 0.0024 in)
Piston ring end gap - 1116 cc:	
Top	0.30 to 0.45 mm (0.0012 to 0.0018 in)
Second	0.20 to 0.35 mm (0.008 to 0.014 in)
Bottom	0.20 to 0.35 mm (0.008 to 0.014 in)
Piston ring end gap - 1301 cc:	
Top	0.30 to 0.45 mm (0.012 to 0.016 in)
Second	0.30 to 0.50 mm (0.012 to 0.020 in)
Bottom	0.25 to 0.40 mm (0.010 to 0.016 in)
Gudgeon pin diameter - 1116 cc:	
Grade 1	21.970 to 21.974 mm (0.8656 to 0.8658 in)
Grade 2	21.974 to 21.978 mm (0.8658 to 0.8659 in)
Grade 3	21.978 to 21.982 mm (0.8659 to 0.8661 in)
Gudgeon pin diameter - 1301 cc:	
Grade 1	21.991 to 21.994 mm (0.8664 to 0.8666 in)
Grade 2	21.994 to 21.997 mm (0.8666 to 0.8667 in)
Oversize	0.2 mm (0.008 in)

Crankshaft

Journal diameter	50.785 to 50.805 mm (1.9994 to 2.0002 in)
Standard main bearing shell thickness	1.825 to 1.831 mm (0.0719 to 0.0721 in)
Undersizes	0.254, 0.508, 0.762, 1.016 mm (0.010, 0.020, 0.030, 0.040 in)
Crankshaft endfloat	0.06 to 0.26 mm (0.0024 to 0.0102 in)
Crankpin diameter	45.498 to 45.518 mm (1.7926 to 1.7934 in)
Standard big-end shell bearing thickness	1.531 to 1.538 mm (0.0603 to 0.0606 in)
Undersizes	0.254, 0.508, 0.762, 1.016 mm (0.010, 0.020, 0.030, 0.040 in)

Camshaft

Number of bearings	5
Diameter of camshaft journals:	
No. 1 (timing end)	29.944 to 29.960 mm (1.1798 to 1.1804 in)
No. 2	47.935 to 47.950 mm (1.8886 to 1.8892 in)
No. 3	48.135 to 48.150 mm (1.8965 to 1.8971 in)
No. 4	48.335 to 48.350 mm (1.9044 to 1.9050 in)
No. 5	48.535 to 48.550 mm (1.9122 to 1.9129 in)
Cam lift	8.8 mm (0.3467 in)
Camshaft bearing diameters in carrier:	
No. 1	29.990 to 30.014 mm (1.1816 to 1.1825 in)
No. 2	47.980 to 48.005 mm (1.8904 to 1.8913 in)
No. 3	48.180 to 48.205 mm (1.8982 to 1.8992 in)
No. 4	48.380 to 48.405 mm (1.9062 to 1.9072 in)
No. 5	48.580 to 48.605 mm (1.9141 to 1.9150 in)
Outside diameter of cam follower	36.975 to 36.995 mm (1.4568 to 1.4576 in)
Cam follower running clearance	0.005 to 0.050 mm (0.0002 to 0.0020 in)

Lubrication system

Oil pump type	Gear driven from auxiliary shaft
Tooth tip to body clearance	0.110 to 0.180 mm (0.0043 to 0.0071 in)
Gear endfloat	0.020 to 0.105 mm (0.0008 to 0.0041 in)
Oil pressure at normal operating temperature and average road/ engine speed	3.43 to 4.9 bar (50 to 71 lbf/in ²)
Oil capacity (with filter change)	4.05 litre (7.1 pint)
Oil type/specification	Multigrade engine oil, viscosity SAE 15W/40
Oil filter	Champion C106

Cylinder head and valves

Head material	Light alloy
Maximum distortion	0.05 mm (0.002 in)
Valve guide bore in head	13.950 to 13.977 mm (0.5496 to 0.5507 in)
Valve guide outside diameter	14.040 to 14.058 mm (0.5532 to 0.5539 in)
Valve guide oversizes	0.05, 0.10, 0.25 mm (0.002, 0.004, 0.010 in)
Inside diameter of valve guide (reamed)	8.022 to 8.040 mm (0.3161 to 0.3168 in)
Valve guide fit in cylinder head (interference)	0.063 to 0.108 mm (0.0025 to 0.0043 in)
Valve stem diameter	7.974 to 7.992 mm (0.3142 to 0.3149 in)
Maximum clearance (valve stem to guide)	0.030 to 0.066 mm (0.0012 to 0.0026 in)
Valve face angle	45° 25' to 45° 35'
Valve seat angle	44° 55' to 45° 05'
Valve head diameter:	
Inlet	35.850 to 36.150 mm (1.4125 to 1.4243 in)
Exhaust	30.850 to 31.450 mm (1.2155 to 1.2391 in)
Contact band (valve to seat)	1.3 to 1.5 mm (0.0512 to 0.0591 in)
Valve clearance:	
Inlet	0.40 mm (0.0158 in)
Exhaust	0.50 mm (0.0197 in)
For timing check	0.80 mm (0.0315 in)
Valve clearance adjusting shim thicknesses	3.25 to 4.70 mm (0.128 to 0.185 in), in increments of 0.05 mm (0.002 in)
Valve timing:	
Inlet valve:	
Opens	7° BTDC
Closes	35° ABDC
Exhaust valve:	
Opens	37° BBDC
Closes	5° ATDC

1•6 Engine – general

Auxiliary shaft

Bearing internal diameter (reamed):

No. 1 (timing belt end)	35.664 to 35.684 mm (1.4052 to 1.4059 in)
No. 2	32.000 to 32.020 mm (1.2608 to 1.2616 in)

Shaft journal diameter:

No. 1 (timing belt end)	35.593 to 35.618 mm (1.4024 to 1.4033 in)
No. 2	31.940 to 31.960 mm (1.2584 to 1.2592 in)

Cylinder block and crankcase

Material Cast-iron

Bore diameter:

1116 cc	80.000 to 80.050 mm (3.152 to 3.154 in)
1301 cc	86.400 to 86.450 mm (3.404 to 3.406 in)

Maximum cylinder bore taper 0.015 mm (0.0006 in)

Maximum cylinder bore ovality 0.015 mm (0.0006 in)

Torque wrench settings

Cylinder head bolts:

	Nm	lbf ft
Stage 1	20	15
Stage 2	40	30
Stage 3	Turn through 90°	Turn through 90°
Stage 4	Turn through 90°	Turn through 90°
Camshaft carrier to cylinder head	20	15
Main bearing cap bolts	80	59
Big-end cap nuts	51	38
Flywheel mounting bolts	83	61
Camshaft sprocket bolt	83	61
Belt tensioner bolt	44	32
Exhaust manifold nuts	28	21
Auxiliary shaft sprocket bolt	83	61
Flexible mounting bracket bolts	59	44
Flexible mounting centre nuts	49	36
Oil pressure switch	32	24
Spark plugs	25	18
Roadwheel bolts	86	63
Driveshaft/hub nuts	272	200
Tie-rod end balljoint nuts	34	25
Brake caliper mounting bolts	53	39
Front strut lower clamp bolts	49	36
Driveshaft inboard boot retainer bolts	9	7
Crankshaft pulley nut	98	7

Part 1: General

1 Description

1 The Uno may be powered by one of three engines depending upon the particular model.

903 cc

2 This is of four cylinder overhead valve type with a light alloy cylinder head and a cast-iron block and crankcase.

3 A three bearing crankshaft is used and the chain-driven camshaft runs in three steel backed white metal bearings.

4 The light alloy pistons are fitted with two compression and one oil control ring. The gudgeon pin is an interference fit in the small end of the connecting rod.

5 Lubrication is provided by an oil pump within the sump pan and both the pump and the distributor are driven from a gear on the camshaft. Pressurised oil passes through a

cartridge type oil filter. An oil pressure relief valve is incorporated in the oil pump. The engine oil is independent of the transmission lubricant.

1116 cc and 1301 cc

6 These engines are of single overhead camshaft type, the camshaft being driven by a toothed belt.

7 The difference in engine capacity is achieved by increasing the cylinder bore on the 1301 cc engine.

8 The cylinder head is of light alloy while the cylinder block and crankcase are of cast-iron construction.

9 A five bearing crankshaft is used and the camshaft runs in a similar number of bearings, but as these are in-line bored directly in the camshaft carrier, no repair is possible.

10 The pistons are of light alloy with two compression and one oil control ring. The gudgeon pin is an interference fit in the small end of the connecting rod.

11 An auxiliary shaft, driven by the timing belt is used to drive the distributor, oil pump and fuel pump.

12 The oil pump is located within the sump pan and incorporates a pressure relief valve.

13 Pressurised oil passes through a cartridge type oil filter.

14 The crankshaft main bearings are supplied under pressure from drillings in the crankcase from the main oil gallery whilst the connecting rod big-end bearings are lubricated from the main bearings by oil forced through the crankshaft oilways. The camshaft bearings are fed from a drilling from the main oil gallery. The cams and tappets are lubricated by oil mist from outlets in the camshaft bearings.

15 The cylinder walls, pistons and gudgeon pins are lubricated by oil splashed up by the crankshaft webs. An oil pressure warning light is fitted to indicate when the pressure is too low.

All engines

16 The engine is mounted transversely with the transmission at the front of the car.

17 The engine oil is independent of the transmission lubricant.

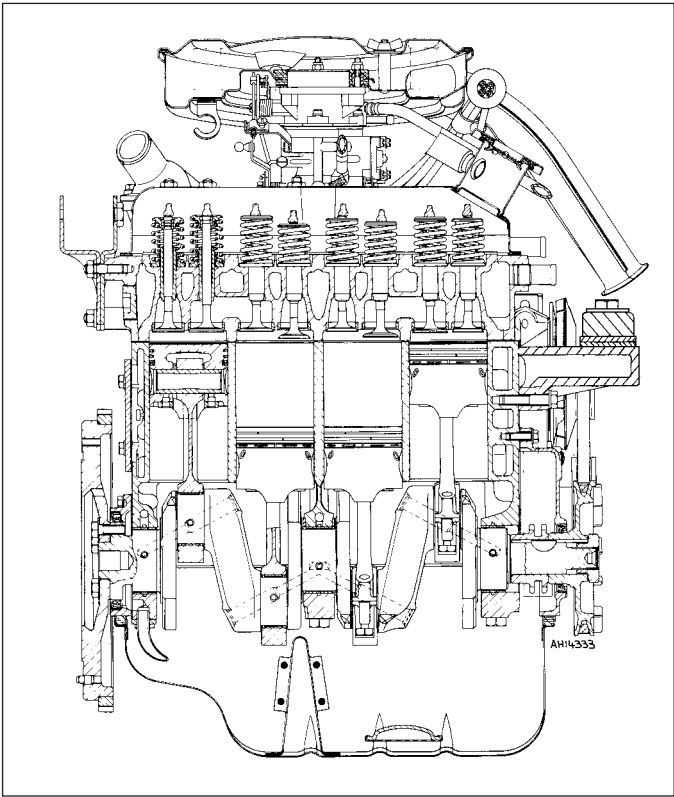


Fig. 1.1 Longitudinal section of 903 cc engine (Sec 1)

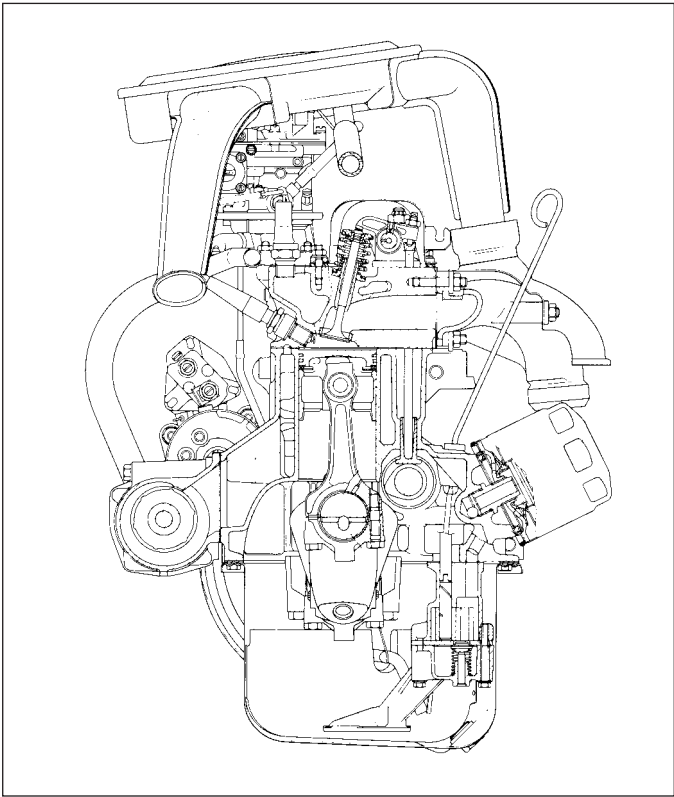


Fig. 1.2 Cross-section of 903 cc engine (Sec 1)

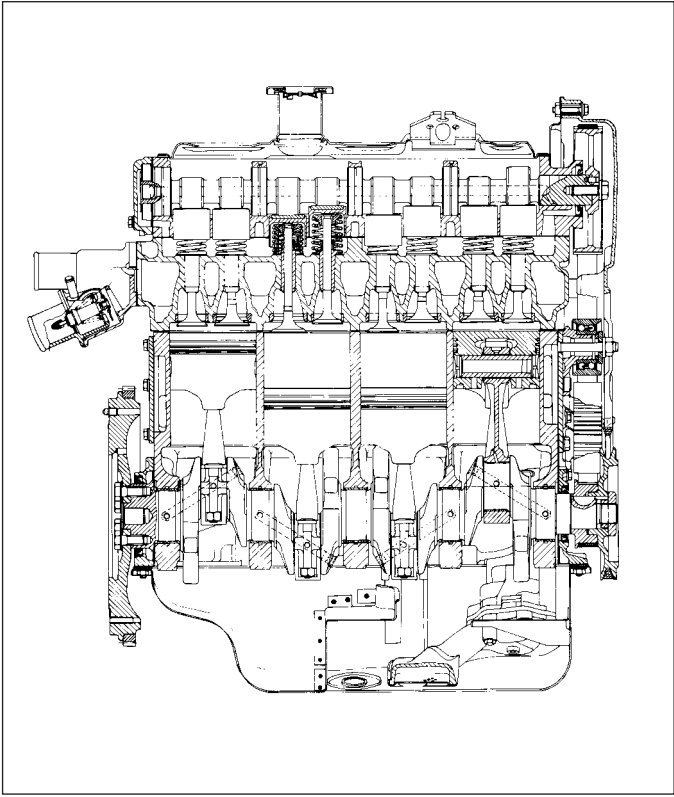


Fig. 1.3 Longitudinal section of 1116 cc and 1301 cc engines (Sec 1)

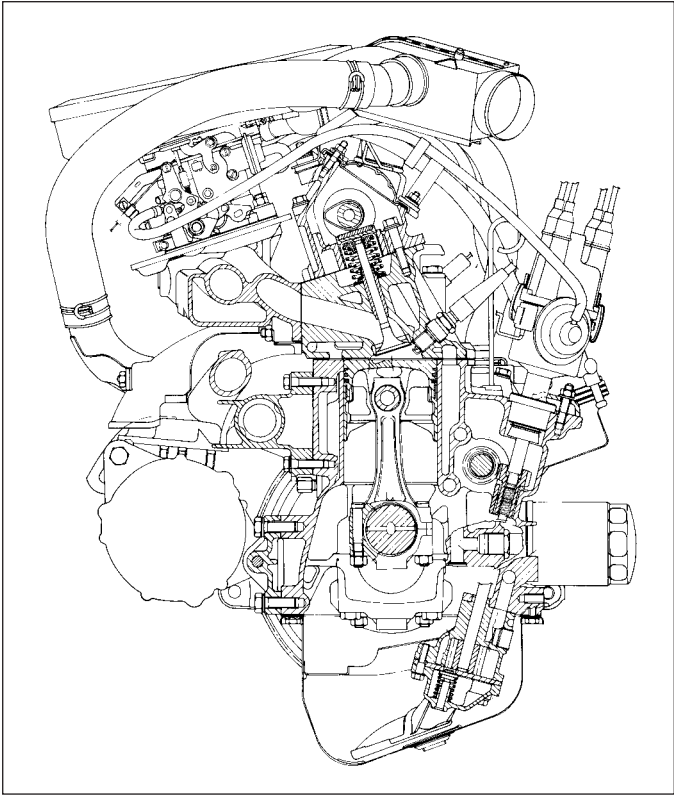
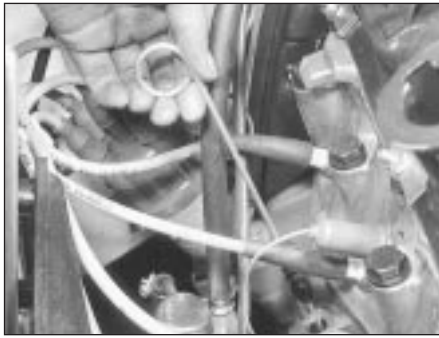
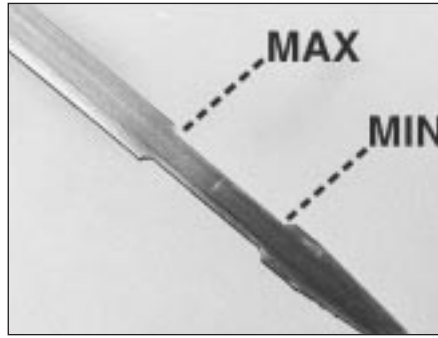


Fig. 1.4 Cross-section of 1116 cc and 1301 cc engines (Sec 1)



2.2 Withdrawing engine oil dipstick (1116 cc)



2.3A Typical dipstick markings



2.3B Topping up engine oil (1116 cc)

2 Engine oil and filter



1 The engine oil level should be checked at the weekly service (see "Routine Maintenance"). Preferably check the level cold, first thing in the morning or if the engine has been running, allow at least ten minutes to elapse after switching off to permit the oil to drain.

2 Withdraw the dipstick, wipe it clean on non-fluffy material, re-insert it and then withdraw it for the second time (photo).

3 The oil level should be between the MIN and MAX marks. If not, top up with specified oil to the MAX mark. Pour the oil slowly



2.6 Engine sump drain plug



2.8 Screwing on the oil filter (903 cc)

through the filler orifice on the rocker cover. To raise the oil level from MIN to MAX will require approximately 1.1 litre (2.0 pints) (photos).

4 At the intervals specified in "Routine Maintenance" the oil and filter should be renewed.

5 Have the engine at normal operating temperature, remove the oil filler cap.

6 Place a suitable container under the sump pan. Unscrew and remove the oil drain plug and allow the oil to drain (photo).

7 While the oil is draining, unscrew and discard the oil filter. To unscrew the filter, a filter or chain wrench will normally be required. If such a tool is not available, drive a long screwdriver through the oil tester casing and use it as a lever to unscrew the filter cartridge.

8 Smear the rubber sealing ring of the new oil filter with oil and screw into position using hand pressure only (photo).

9 Refit the drain plug and refill the engine with the correct quantity and grade of oil.

10 Start the engine. It will take two or three seconds for the oil warning lamp to go out. This is normal and is due to the time taken for the new filter to fill with oil.

11 Switch off, check for leaks and check the oil level, topping up if necessary.

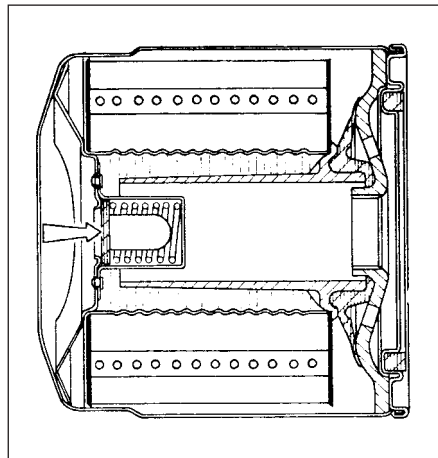


Fig. 1.5 Sectional view of oil filter. Bypass valve arrowed (Sec 2)

3 Crankcase ventilation system



1 This system is designed to draw oil fumes and blow-by gas (which has passed the piston rings) from the crankcase and draw it into the intake manifold when it will then be burned during the normal combustion process.

2 Regularly check the security of the system hoses which run from the rocker cover or crankcase breather unit (photo).

3 Periodically, detach the hoses and clean them out with paraffin and a brush or rag pull through.

4 Evidence of sludge or emulsified oil within the hoses or inside the oil filler cap will indicate that the engine is running too cool particularly if the car is used mainly for short journeys where the engine never reaches full working temperature.

4 Major operations possible without removing engine from car

1 The following work can be carried out without the need to remove the engine from the car.

903 cc engine

Valve clearances - checking and adjusting
Timing chain and sprockets - removal and refitting



3.2 Crankcase vent hose (1116 cc)

Cylinder head - removal and refitting
Sump pan - removal and refitting
Pistons/connecting rods - removal and refitting
Oil pump - removal and refitting
Engine mountings - renewal

1116 cc and 1301 cc engines

Valve clearances - checking and adjusting
Camshaft and camshaft carrier - removal and refitting
Timing belt - removal and refitting
Cylinder head - removal and refitting
Sump pan - removal and refitting
Oil pump - removal and refitting
Pistons/connecting rods - removal and refitting
Engine mountings - renewal

Part 2: 903 cc engine

5 Valve clearances - adjustment



- 1 Adjust the valves when the engine is cold.
- 2 Unbolt and remove the rocker cover.
- 3 It is important that the clearance is set when the cam follower of the valve being adjusted is on the heel of the cam (ie; opposite the peak). This can be done by carrying out the adjustments in the following order, which also avoids turning the crankshaft more than necessary.
- 4 Turn the crankshaft either using a spanner on the pulley nut or by raising a front roadwheel, engaging a gear (3rd or 4th) and turning the wheel in the forward direction of travel. It will be easier to turn the engine if the spark plugs are first removed.

Valve fully open	Check and adjust
Valve No. 8 EX	Valve No. 1 EX
Valve No. 6 IN	Valve No. 3 IN
Valve No. 4 EX	Valve No. 5 EX
Valve No. 7 IN	Valve No. 2 IN
Valve No. 1 EX	Valve No. 8 EX
Valve No. 3 IN	Valve No. 6 IN
Valve No. 5 EX	Valve No. 4 EX
Valve No. 2 IN	Valve No. 7 IN



5.7 Adjusting a valve clearance

- 5 Count the valves from the timing cover end of the engine.
- 6 Remember, the inlet and exhaust valve clearances are different.
- 7 Insert the appropriate feeler gauge between the end of the valve stem and the rocker arm. It should be a stiff sliding fit (photo).
- 8 If the clearance is incorrect, release the rocker arm adjuster screw locknut using a ring spanner. Turn the adjuster screw using a small open-ended spanner, but tie something to it in case it is inadvertently dropped through one of the pushrod holes.
- 9 Once the clearance is correct, tighten the locknut without moving the position of the adjuster screw.
- 10 Repeat the operations on the remaining seven valves.
- 11 Re-check all the clearances. Make sure that the rocker cover gasket is in good condition and fit the rocker cover.

6 Timing chain and sprockets - removal and refitting



- 1 Remove the alternator drivebelt as described in Chapter 2.
- 2 Unscrew and remove the crankshaft pulley nut.



To prevent the crankshaft rotating, either select a gear and have an assistant apply the footbrake hard or remove the starter motor and lock the ring gear teeth with a large cold chisel or screwdriver.

- 3 Disconnect the hoses from the fuel pump.
- 4 Unbolt and remove the fuel pump with spacer and rod.
- 5 Support the engine on a hoist or under the sump and disconnect and remove the right-hand mounting. Then unscrew and remove the timing cover bolts. The base of the cover is secured by the front two sump pan studs. Unbolt and lower the front end of the sump. Avoid breaking the gasket. Remove the timing cover.
- 6 Undo and remove the camshaft sprocket securing bolt; this will also release the fuel pump drive cam from the end of the camshaft. Note the timing marks on the camshaft and crankshaft sprockets.
- 7 Using two tyre levers, carefully ease the two sprockets forwards away from the crankcase. Lift away the two sprockets and timing chain.
- 8 Remove the Woodruff key from the crankshaft nose with a pair of pliers and note how the channel in the pulley is designed to fit over it. Place the Woodruff key in a container as it is a very small part and can easily become lost. The camshaft sprocket is located on the camshaft by a dowel peg.

Refitting

- 9 Fit the Woodruff key to the front of the crankshaft.
- 10 Tap the crankshaft sprocket onto the front of the crankshaft.
- 11 Turn the sprocket so that the Woodruff key is uppermost.
- 12 Turn the camshaft until it is in such a position that if the sprocket was fitted the dimple timing mark on the sprocket would be nearest to and in alignment with, the one on the crankshaft sprocket.

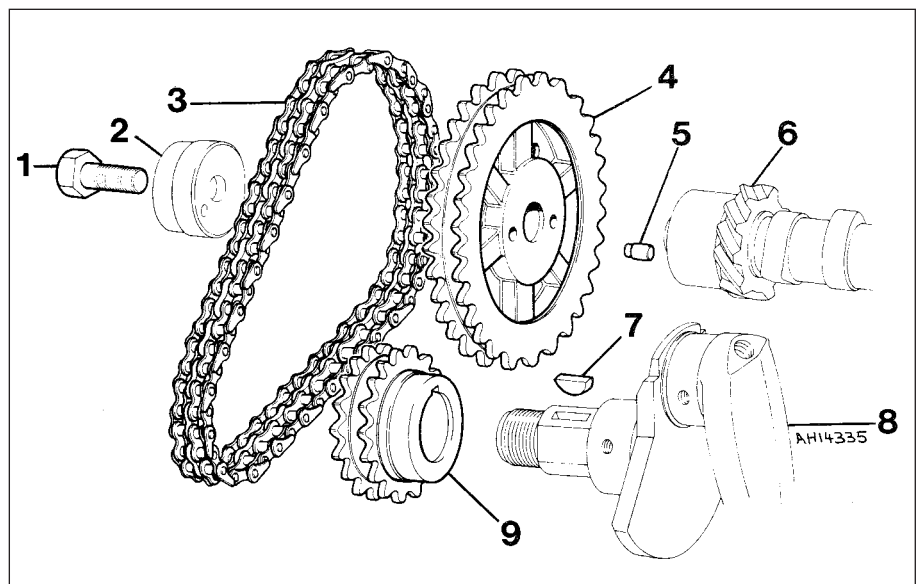
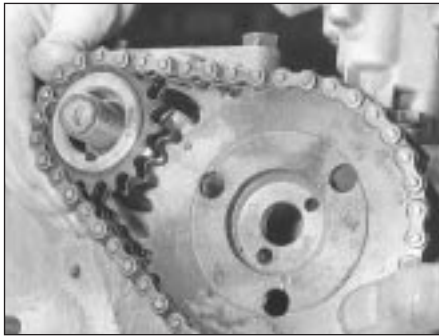
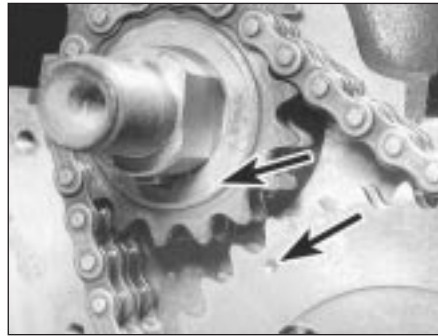


Fig. 1.6 Timing chain and sprockets (Sec 6)

- | | | |
|---------------------------|---------------------------|-----------------------|
| 1 Sprocket retaining bolt | 4 Camshaft sprocket | 7 Woodruff key |
| 2 Fuel pump eccentric cam | 5 Sprocket locating dowel | 8 Crankshaft |
| 3 Timing chain | 6 Camshaft | 9 Crankshaft sprocket |



6.13A Fitting the sprockets and timing chain



6.13B Timing mark alignment



6.13C Self-tensioning links on inside of chain

13 Engage the timing chain with the teeth of the crankshaft sprocket. Then locate the camshaft sprocket within the upper loop of the chain in such a way that when the sprocket is pushed onto the camshaft, the timing marks will be in alignment. Make sure that the self-tensioning links are on the inside of the chain against the cylinder block (photos).

14 Place the camshaft sprocket onto the camshaft so that its positioning dowel engages.

15 Secure the camshaft sprocket by fitting the special cam, that drives the fuel pump, on its locating dowel. Fit the camshaft sprocket retaining bolt (photo).

16 Tighten the sprocket bolt to the specified torque.

17 If the timing cover oil seal showed signs of leaking before engine overhaul the old seal should be removed and a new one fitted.

18 Using a screwdriver, carefully remove the old oil seal, working from the rear of the cover. Fit the new seal making sure it is inserted squarely, and tap home with a hammer.

19 Lubricate the oil seal with engine oil.

20 With all traces of old gasket and jointing compound removed from the timing cover and cylinder block mating faces, smear a little grease onto the timing cover mating face and fit a new gasket in position.

21 Fit the timing cover to the cylinder block and finger tighten the securing bolts, and spring washer. Ensure that the fuel pump pushrod bush is in place in the cover.



6.15 Fitting fuel pump drive cam and sprocket bolt

22 Wipe the hub of the pulley and carefully place into position on the crankshaft. It should locate on the Woodruff key. It may be necessary to adjust the position of the timing cover slightly in order to centralise the oil seal relative to the pulley hub.

23 Tighten the timing cover securing bolts in a diagonal and progressive manner.

24 Tighten the crankshaft pulley nut to the specified torque again holding the crankshaft against rotation as previously described (paragraph 2) this Section.

25 Refit the fuel pump and alternator drivebelt.

7 Cylinder head - removal and refitting



1 For safety reasons, disconnect the battery negative lead.

2 Refer to Chapter 2 and drain the cooling system.

3 Refer to Chapter 3 and remove the carburettor, air cleaner and spacer block.

4 Undo and remove the five nuts and washers securing the exhaust manifold and hot air ducting to the cylinder head.

5 Detach the cable from the temperature indicator sender unit.

6 Refer to Chapter 4 and disconnect the distributor LT lead and the coil HT lead.

7 Refer to Chapter 2 and remove the thermostat housing from the cylinder head.

8 Disconnect the coolant hoses from the cylinder head.

9 Note the electrical connections to the rear of the alternator and disconnect them.

10 Disconnect the mounting and adjuster link bolts and remove the alternator from the engine.

11 Unscrew the four nuts securing the rocker cover to the top of the cylinder head and lift away the spring washers and metal packing pieces. Remove the rocker cover and cork gasket.

12 Unscrew the four rocker pedestal securing nuts in a progressive manner. Lift away the four nuts and spring washers and

ease the valve rocker assembly from the cylinder head studs.

13 Remove the pushrods, keeping them in the relative order in which they were removed. The easiest way to do this is to push them through a sheet of thick paper or thin card in the correct sequence.

14 Unscrew the cylinder head securing bolts half a turn at a time in the reverse order to that shown in Fig. 1.7; don't forget the one within the inlet manifold. When all the bolts are no longer under tension they may be unscrewed from the cylinder head one at a time. This will also release a section of the cooling system pipe secured by two of the bolts. All the bolts have washers.

15 The cylinder head may now be lifted off. If the head is jammed, try to rock it to break the seal. Under no circumstances try to prise it apart from the cylinder block with a screwdriver or cold chisel as damage may be done to the faces of the head or block. If this or the *Hint*, fail to work, strike the head sharply with a plastic headed hammer, or with a wooden hammer, or with a metal hammer with an interposed piece of wood to cushion the blows. Under no circumstances hit the head directly with a metal hammer as this may cause the casting to fracture. Several sharp taps with the hammer, at the same time pulling upwards, should free the head. Lift the head off and place on one side.



If the head will not readily free, turn the crankshaft. The compression generated in the cylinders will often break the gasket joint

16 The cylinder head may now be de-carbonised or dismantled, refer to Section 17.

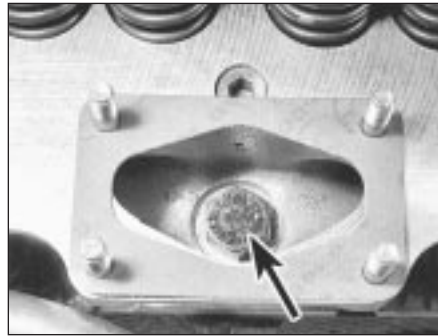
Refitting

17 After checking that both the cylinder block and cylinder head mating surfaces are perfectly clean, generously lubricate each cylinder with engine oil.

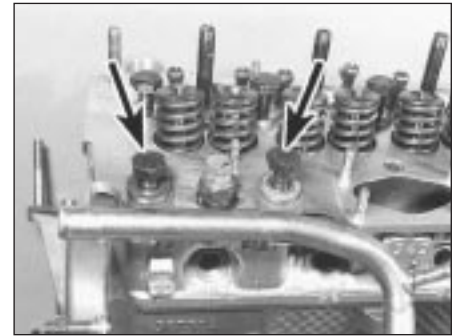
18 Always use a new cylinder head gasket as the old gasket will be compressed and not capable of giving a good seal.



7.20 Cylinder head gasket



7.24A Cylinder head bolt in intake manifold



7.24B Cylinder head bolts holding coolant pipe

19 Never smear grease on the gasket as, when the engine heats up, the grease will melt and may allow compression leaks to develop.

20 The cylinder head gasket cannot be fitted incorrectly due to its asymmetrical shape, but the word ALTO should be uppermost in any event (photo).

21 The locating dowels should be refitted to the front right and left-hand side cylinder head securing bolt holes.

22 Carefully fit the cylinder head gasket to the top of the cylinder block.

23 Lower the cylinder head onto the gasket, taking care not to move the position of the gasket.

24 Screw in the cylinder head bolts finger tight, remembering the bolt within the intake manifold and the metal coolant pipe which is held by the two cylinder head bolts adjacent to the coolant temperature sender unit (photos).

25 Tighten the cylinder head bolts in two stages, in the specified sequence to the torque given in Specifications.

26 With the cylinder head in position, fit the pushrods in the same order in which they were removed. Ensure that they locate properly in the stems of the tappets and lubricate the pushrod ends before fitment (photo).

27 Unscrew the rocker arm adjuster screws as far as they will go.

28 Fit the rocker gear over the four studs in the cylinder head and lower onto the cylinder head. Make sure the ball ends of the rockers locate in the cups of the pushrods.

29 Fit the four nuts and washers to the rocker shaft pedestal studs and tighten in a progressive manner to the torque wrench setting given in the Specifications.

30 Adjust the valve clearances as described in Section 5.

31 Fit the exhaust manifold, thermostat housing and alternator, also the rocker cover (photo).

32 Fit the carburettor, air cleaner and distributor (Chapter 4).

33 Reconnect all hoses and electrical leads, including the battery.

34 Refill the cooling system.

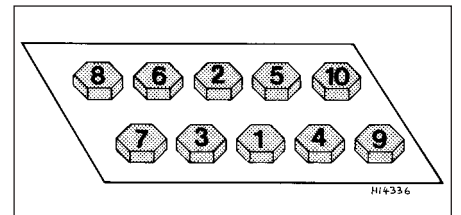


Fig. 1.7 Cylinder head bolt tightening sequence (Sec 7)

8 Sump pan - removal and refitting



1 Drain the engine oil.

2 Unscrew and remove the four nuts and twelve bolts and lift away the sump pan. If it has stuck on the gasket carefully tap the side of the mating flange to break the seal. Remove the gasket and clean away any pieces of gasket cement which are adhering to the flanges.

3 Remove the sealing strips from the recesses at either end of the sump pan.

Refitting

4 Fit the new sealing strips and if necessary, trim their ends until they are just proud of the sump pan flange (photo).



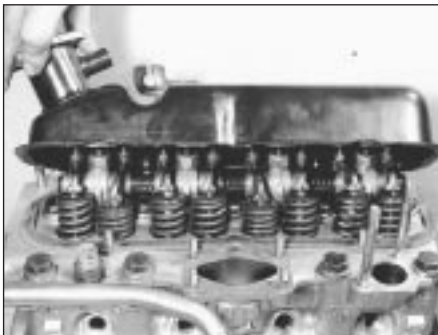
7.26 Fitting a pushrod

5 Using thick grease, stick the gasket side strips to the crankcase.

6 Apply a blob of jointing compound at the points of overlap of the side gaskets and strips.

7 Offer up the sump pan, screw in and tighten the bolts and nuts progressively (photos).

8 Refill the engine with oil.



7.31 Fitting the rocker cover



8.4 Sump pan sealing strip



8.7A Fitting the sump pan



8.7B Sump pan nut, bolts and washers

9 Pistons/connecting rods - removal and refitting



1 Remove the cylinder head as described in Section 7.

2 Remove the sump pan as described in Section 8.

3 Undo and remove the big-end cap retaining bolts and keep them in their respective order for correct refitting.

4 Check that the connecting rod and big-end bearing cap assemblies are correctly marked. Normally the numbers 1-4 are stamped on adjacent sides of the big-end caps and connecting rods, indicating which cap fits on which rod and which way round the cap fits. The numbers are located on the sides of the rod and cap furthest away from the camshaft.

5 If numbers are not evident, then use a sharp file to make mating marks across the rod/cap joint. One line for connecting rod No. 1, two for connecting rod No. 2 and so on. This will ensure that there is no confusion later as it is most important that the caps go back in the correct position on the connecting rods from which they were removed. No. 1 piston should be at the crankshaft pulley end of the engine.

6 If the big-end caps are difficult to remove they may be gently tapped with a soft-faced hammer.

7 To remove the shell bearings, press the bearing opposite the groove in both the connecting rod and the connecting rod caps and the bearings will slide out easily.

8 Keep the shells with their original cap or rod if the bearings are not being renewed.

9 Withdraw the pistons and connecting rods upwards and ensure that they are kept in the correct order for replacement in the same bore.

10 If the cylinder has a wear ridge at its upper end then this may make it difficult to remove the piston. In this event, relieve the sharp edge of the ridge by scraping.

11 Dismantling the pistons is described in Section 18, paragraph 17.

12 Lay the piston and connecting rod assemblies in the correct order ready for refitting into their respective bores.

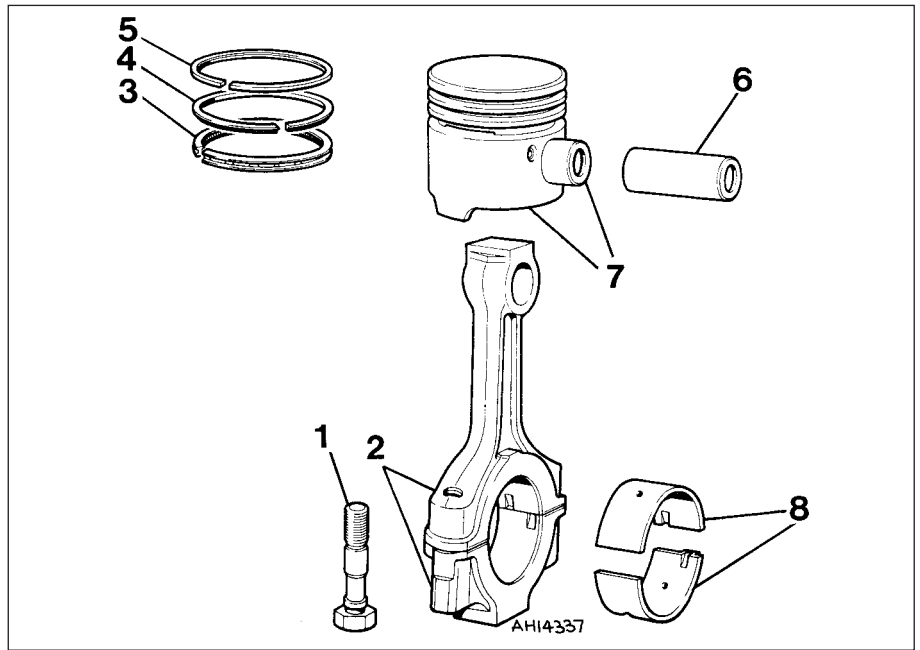


Fig. 1.8 Piston/connecting rod components (Sec 9)

- 1 Bolt
- 2 Connecting rod
- 3 Oil control ring

- 4 Compression ring (stepped at base)
- 5 Compression ring (marked TOP)

- 6 Gudgeon pin
- 7 Piston gudgeon pins
- 8 Big-end shell bearings

13 With a wad of clean non-fluffy rag wipe the cylinder bores clean.

14 Position the piston rings so that their gaps are 120° apart and then lubricate the rings.

15 Wipe clean the connecting rod half of the big-end bearing and the underside of the shell bearing. Fit the shell bearing in position with its locating tongue engaged with the corresponding groove in the connecting rod.

16 Fit a piston ring compressor to the top of the piston, making sure it is tight enough to compress the piston rings.

17 Using a piece of fine wire double check that the little jet hole in the connecting rod is clean.

18 The pistons, complete with connecting rods, are fitted to their bores from above. The number stamped on the connecting rod must face away from the camshaft with the arrow on the piston crown pointing towards the timing cover.

19 With the base of the piston ring compressor resting on the cylinder block, apply the wooden handle of a hammer to the piston crown, strike the hammer head with the hand and drive the piston/rod into its bore (photo).

20 Draw the rod, complete with shell bearing down onto its crankpin.

21 Generously lubricate the crankpin journals with engine oil, and turn the crankshaft so that the crankpin is in the most advantageous position for the connecting rod to be drawn into it.

22 Wipe clean the connecting rod bearing cap and back of the shell bearing and fit the shell bearing in position ensuring that the locating tongue at the back of the bearing engages with the locating groove in the connecting rod cap.

23 Generously lubricate the shell bearing and offer up the connecting rod bearing cap to the connecting rod (photo).



9.19 Fitting a piston/connecting rod



9.23 Big-end cap

- 24 Screw in the big-end bolts and tighten to the specified torque (photo).
- 25 Refit the sump pan (Sec 8) and the cylinder head (Sec 7).
- 26 Refill the engine with oil and coolant.

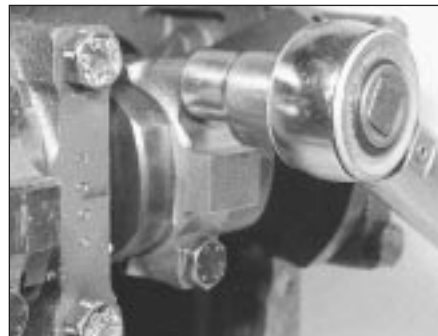
10 Oil pump - removal and refitting



- 1 Remove the sump pan as described in Section 8.
- 2 Unscrew the two bolts which hold the oil pump housing to the underside of the crankcase and withdraw the pump. Remove and discard the pump flange gasket.

Refitting

- 3 Stick a new gasket to the oil pump location on the underside of the crankcase (photo).
- 4 Locate the oil pump driveshaft in the oil pump and then offer up the complete assembly to the crankcase so that the gear teeth on the driveshaft mesh with those on the camshaft (photo).
- 5 Fit the securing bolts (photo).
- 6 Fit the sump pan and refill the engine with oil.



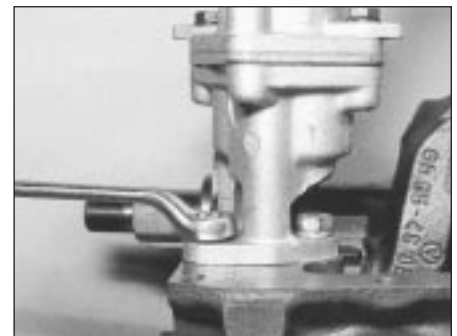
9.24 Tightening a big-end bolt



10.3 Oil pump gasket



10.4 Fitting the oil pump



10.5 Tightening an oil pump bolt

11 Engine mountings - renewal



- 1 The engine/transmission flexible mountings can be removed if the power unit is supported under the sump pan or gearbox with a jack, or a hoist is attached to the engine lifting lugs and the weight of the power unit just taken.
- 2 Unscrew the mounting bracket bolts and remove the mounting.
- 3 Fit the new mounting and remove the lifting gear.
- 4 In the unlikely event of all the mountings requiring renewal at the same time, renew them one at a time, never disconnect all the mountings together.



Fig. 1.9 Coolant temperature switch (Sec 13)

12 Engine - method of removal

- 1 The engine/transmission should be removed downwards and withdrawn from under the front of the car which will have to be raised sufficiently high to provide clearance.

13 Engine/transmission - removal and separation



- 1 Open the bonnet, disconnect the windscreen washer tube.
- 2 Mark the hinge positions on the underside of the bonnet using masking tape and then

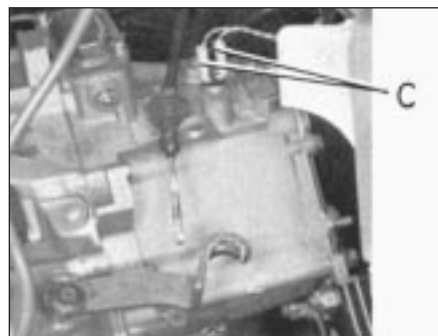


Fig. 1.10 Clutch cable disconnected (Sec 13)
C Reversing switch cables

with the help of an assistant to support its weight unbolt the bonnet and remove it to a safe place.

- 3 Disconnect the battery negative lead.
- 4 Drain the cooling system and engine oil.
- 5 Disconnect the leads from the rear of the alternator, the starter motor and the oil pressure switch also the coolant temperature switch.
- 6 Disconnect the HT lead from the ignition coil and the LT lead from the distributor. Disconnect the transmission earth strap.
- 7 Remove the air cleaner.
- 8 Disconnect the clutch cable from the release lever at the transmission.
- 9 Disconnect the speedometer drive cable by unscrewing the knurled nut from the transmission.

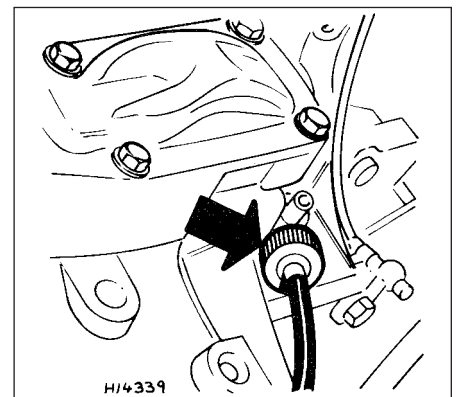


Fig. 1.11 Speedometer drive cable at transmission (Sec 13)



Fig. 1.12 Coolant hoses at thermostat housing (Sec 13)



Fig. 1.13 Coolant hose at rear of coolant pump (Sec 13)

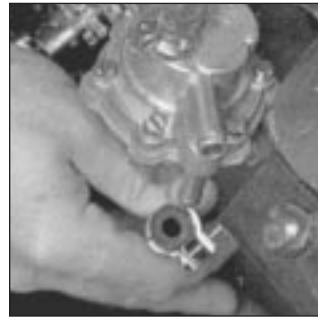


Fig. 1.14 Fuel inlet hose disconnected from pump (Sec 13)



Fig. 1.15 Fuel return hose disconnected from carburettor (Sec 13)



Fig. 1.16 Gearchange rods disconnected (Sec 13)

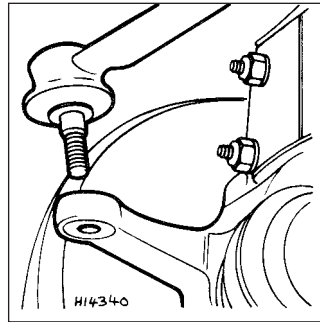


Fig. 1.17 Tie-rod end balljoint disconnected (Sec 13)



Fig. 1.18 Hub carrier detached from strut clamp (Sec 13)



Fig. 1.19 Left-hand flexible mounting (Sec 13)

10 Disconnect the leads from the reversing lamp switch.

11 Disconnect the coolant hoses from the cylinder head and coolant pump.

12 Disconnect the fuel inlet hose from the fuel pump. Plug the hose.

13 Disconnect the throttle and choke controls from the carburettor.

14 Disconnect the heater hoses from the engine.

15 Disconnect the fuel return hose from the carburettor.

16 Disconnect the exhaust downpipe from the manifold.

17 Raise the front end of the car and support it securely on axle stands. Remove the roadwheels.

18 Unscrew the driveshaft to hub nuts. These are very tight and a long knuckle bar will be required when unscrewing them. Have an

assistant apply the brakes hard to prevent the hub turning.

19 Working under the car, remove the protective shields and disconnect the exhaust system mountings and withdraw it to the rear.

20 Disconnect the forward ends of the gearchange rods by prising their sockets from the ballstuds.

21 Unscrew the nuts on the steering tie-rod end balljoints and using a suitable "splitter" tool separate the balljoints from the steering arms. Unbolt the brake calipers and tie them up out of the way.

22 Unscrew and remove the bolts which secure the hub carriers to the U-clamps at the base of the suspension struts (photo).

23 Pull the tops of the hub carriers from the clamps and release the driveshafts from the hub carriers.

24 Tie the driveshafts in a horizontal plane with lengths of wire.

25 Support the engine on a hoist or use a trolley jack under the engine/transmission and remove the bottom mounting and then the upper left and right-hand ones (photo).

26 Carefully lower the power unit to the floor and withdraw it from under the car.

27 External dirt and grease should now be removed using paraffin and a stiff brush or a water-soluble solvent.

28 Unbolt and remove the engine mounting brackets and the starter motor.

29 Unbolt and remove the cover plate and gearchange ball stud strut from the lower front face of the flywheel housing.

30 With the engine resting squarely on its sump pan unscrew the flywheel housing connecting bolts noting the location of any lifting lugs and hose and wiring brackets.



13.22 Hub carrier strut clamp



13.25 Right-hand engine mounting



Fig. 1.20 Flywheel housing cover plate removed (Sec 13)

31 Support the weight of the transmission and withdraw it in a straight line from the engine.

14 Engine - dismantling (general)

1 Stand the engine on a strong bench at a suitable working height. Failing this, it can be dismantled on the floor, but at least stand it on a sheet of hardboard.

2 During the dismantling process, the greatest care should be taken to keep the exposed parts free from dirt. As the engine is stripped, clean each part in a bath of paraffin.

3 Never immerse parts with oilways in paraffin, e.g. the crankshaft, but to clean, wipe down carefully with a paraffin dampened rag. Oilways can be cleaned out with a piece of wire. If an air line is available, all parts can be blown dry and the oilways blown through as an added precaution.

4 Re-use of old gaskets is false economy and can give rise to oil and water leaks, if nothing worse. To avoid the possibility of trouble after the engine has been reassembled always use new gaskets throughout.

HAYNES HINT Do not throw the old gaskets away as it sometimes happens that an immediate replacement cannot be found and the old gasket is then very useful as a template. Hang up the gaskets on a suitable nail or hook as they are removed.

5 To strip the engine, it is best to work from the top downwards. The engine oil sump provides a firm base on which the engine can be supported in an upright position. When the stage is reached where the pistons are to be removed, turn the engine on its side. Turn the block upside down to remove the crankshaft.

6 Wherever possible, replace nuts, bolts and washers finger-tight from wherever they were removed. This helps avoid later loss and muddle. If they cannot be replaced then lay them out in such a fashion that it is clear from where they came.

15 Engine - removing ancillary components

1 Before dismantling the engine, remove the engine ancillary components.

- Carburettor (Chapter 3)
- Thermostat housing (Chapter 2)
- Alternator (Chapter 9)
- Coolant pump (Chapter 2)
- Distributor (Chapter 4)
- Exhaust manifold (Chapter 3)
- Fuel pump (Chapter 3)
- Oil filter cartridge (Section 2 this Chapter)
- Clutch (Chapter 5)

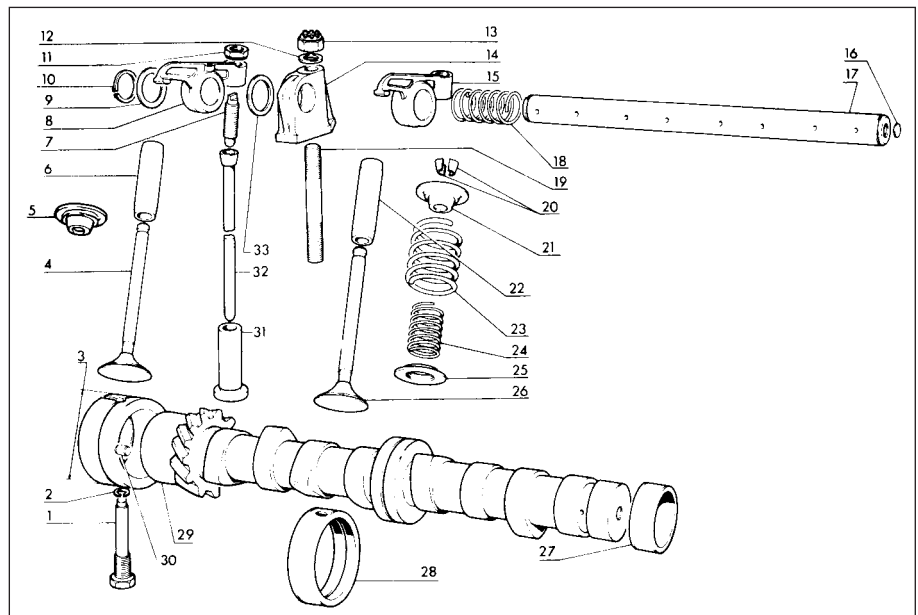


Fig. 1.21 Camshaft and rocker gear components (Sec 16)

- | | | | |
|--------------------------|-----------------|-----------------------|---------------------|
| 1 Camshaft bush lockbolt | 8 Rocker arm | 17 Rocker shaft | 26 Inlet valve |
| 2 Washer | 9 Thrust washer | 18 Coil spring | 27 Camshaft bearing |
| 3 Camshaft front bearing | 10 Circlip | 19 Stud | 28 Camshaft bearing |
| 4 Exhaust valve | 11 Locknut | 20 Split collets | 29 Camshaft |
| 5 Spring cap | 12 Washer | 21 Spring cap | 30 Locating dowel |
| 6 Valve guide | 13 Locknut | 22 Valve guide | 31 Cam follower |
| 7 Adjuster screw | 14 Pedestal | 23 Outer valve spring | 32 Pushrod |
| | 15 Rocker arm | 24 Inner valve spring | 33 Washer |
| | 16 Plug | 25 Spring seat | |

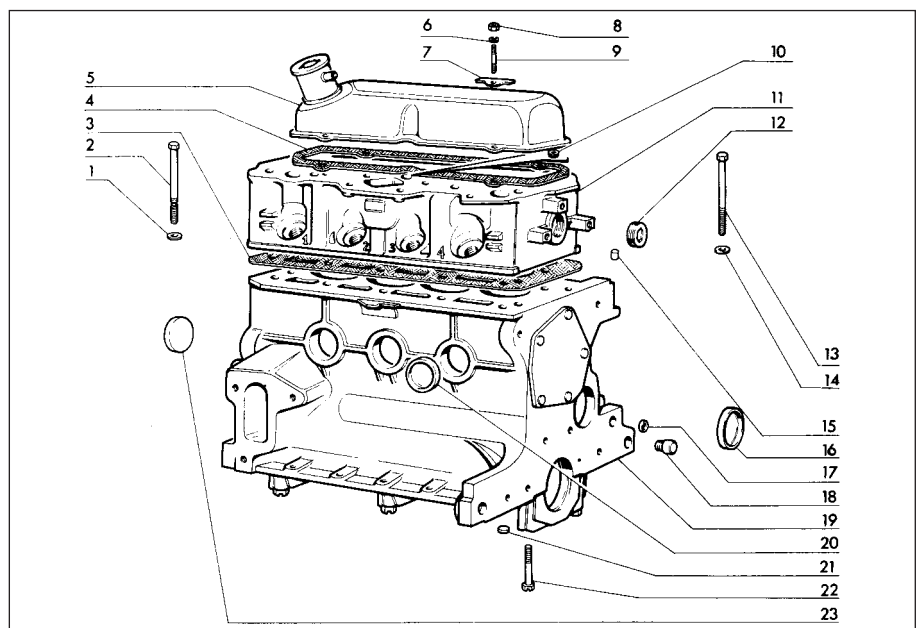


Fig. 1.22 Cylinder head, block and crankcase (Sec 16)

- | | | | |
|-----------------------|------------------|-----------------------|--------------------|
| 1 Washer | 6 Washer | 12 Plug | 18 Dowel |
| 2 Cylinder head bolt | 7 Plate | 13 Cylinder head bolt | 19 Block/crankcase |
| 3 Gasket | 8 Nut | 14 Washer | 20 Plug |
| 4 Rocker cover gasket | 9 Stud | 15 Dowel | 21 Plug |
| 5 Rocker cover | 10 Plug | 16 Plug | 22 Bolt |
| | 11 Cylinder head | 17 Plug | 23 Plug |

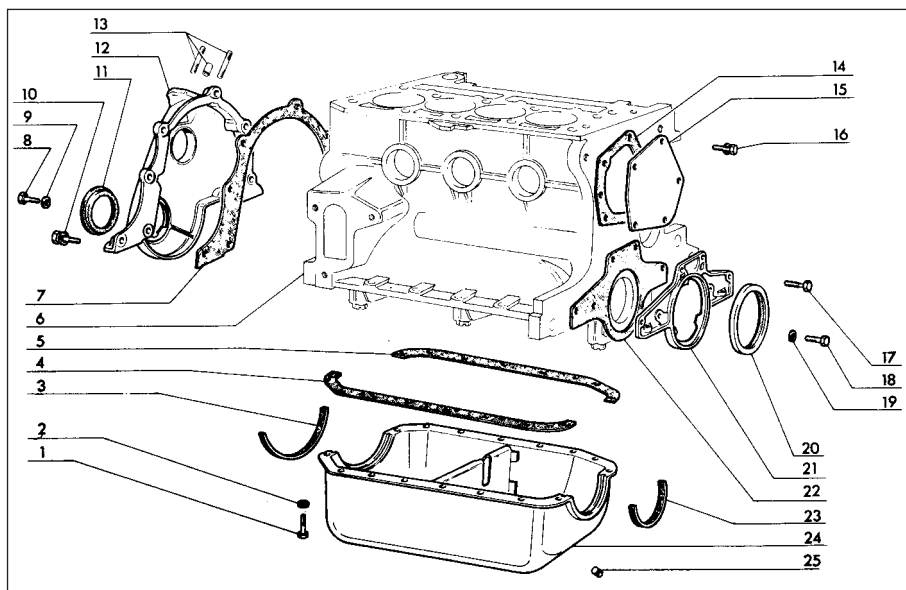


Fig. 1.23 Timing cover, sump pan and oil seals (Sec 16)

- | | | | |
|-------------------|------------------------------|-----------------------------|-----------------------------|
| 1 Sump pan bolt | 8 Bolt | 13 Fuel pump studs and bush | 20 Crankshaft rear oil seal |
| 2 Washer | 9 Washer | 15 Cover plate | 21 Oil seal carrier |
| 3 Sealing strip | 10 Bolt and washer | 16 Bolt and washer | 22 Gasket |
| 4 Side gasket | 11 Crankshaft front oil seal | 17 Bolt | 23 Sealing strip |
| 5 Side gasket | 12 Timing cover | 18 Bolt | 24 Sump pan |
| 6 Block/crankcase | 14 Gasket | 19 Washer | 25 Drain plug |
| 7 Gasket | | | |

16 Engine - complete dismantling



- 1 Unbolt and remove the rocker cover.
- 2 Unscrew the rocker pedestal securing nuts and lift away the rocker assembly.
- 3 Remove the pushrods, keeping them in their original fitted order.
- 4 Remove the cylinder head as described in Section 7. Remove the dipstick and guide tube.

- 5 Turn the engine on its side and unbolt and remove the sump pan.
- 6 Remove the piston/connecting rods as described in Section 9.
- 7 Unscrew and remove the crankshaft pulley nut. To prevent the crankshaft rotating while this is done, either jam the flywheel ring gear or place a block between a crankshaft counterweight and the inside of the crankcase.
- 8 Unbolt and remove the timing cover.
- 9 Remove the timing chain and sprockets as described in Section 6.

17 Cylinder head - dismantling and decarbonising



- 1 The exhaust manifold and rocker gear will have been removed from the cylinder head during removal (see Section 7).
- 2 The valves should now be removed using a universal valve spring compressor.
- 3 Compress the first valve spring and extract the split cotters.

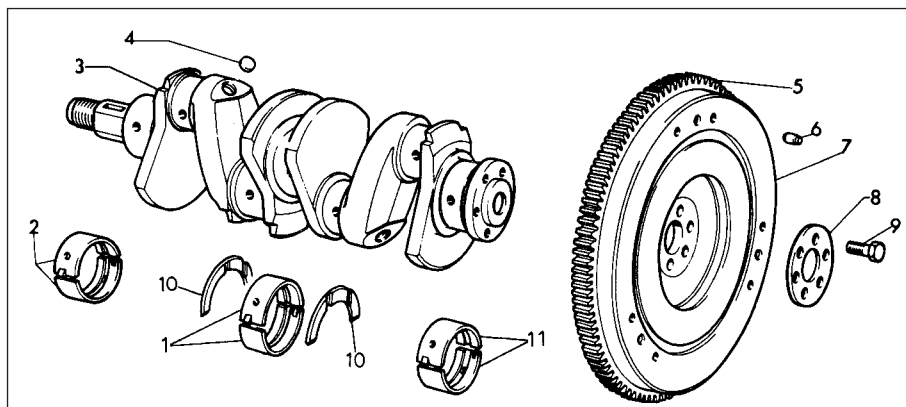


Fig. 1.24 Crankshaft and flywheel (Sec 16)

- | | | | |
|------------------------------|---------------------|----------------|-----------------------------|
| 1 Centre main bearing shells | 3 Crankshaft | 6 Dowel | 9 Bolt |
| 2 Front main bearing shells | 4 Plug | 7 Flywheel | 10 Thrust washers |
| | 5 Starter ring gear | 8 Thrust plate | 11 Rear main bearing shells |

HAYNES HINT *If the valve spring refuses to compress, do not apply excessive force, but remove the compressor and place a piece of tubing on the spring retainer and strike it a sharp blow to release the collets from the valve stem. Refit the compressor and resume operations when the collets should come out.*

- 4 Gently release the compressor, take off the spring retaining cap, the valve spring and the spring seat. Remove the valve. Keep the valve with its associated components together and in numbered sequence so that they can be returned to their original positions.
- 5 A small box with divisions is useful for this purpose. Remove and discard the valve stem oil seals.
- 6 Remove the other valves in a similar way.
- 7 Bearing in mind that the cylinder head is of

light alloy construction and is easily damaged use a blunt scraper or rotary wire brush to clean all traces of carbon deposits from the combustion spaces and the ports. The valve head stems and valve guides should also be freed from any carbon deposits. Wash the combustion spaces and ports down with paraffin and scrape the cylinder head surface free of any foreign matter with the side of a steel rule, or a similar article.

8 If the engine is installed in the car, clean the pistons and the top of the cylinder bores. If the pistons are still in the block, then it is essential that great care is taken to ensure that no carbon gets into the cylinder bores as this could scratch the cylinder walls or cause damage to the piston and rings. To ensure this does not happen, first turn the crankshaft so that two of the pistons are at the top of their bores. Stuff rag into the other two bores or seal them off with paper and masking tape. The waterways should also be covered with small pieces of masking tape to prevent particles of carbon entering the cooling system and damaging the coolant pump.



Press a little grease into the gap between the cylinder walls and the two pistons which are to be worked on.

9 With a blunt scraper carefully scrape away the carbon from the piston crown, taking care not to scratch the aluminium. Also scrape away the carbon from the surrounding lip of the cylinder wall. When all carbon has been removed, scrape away the grease which will now be contaminated with carbon particles, taking care not to press any into the bores. To assist prevention of carbon build-up the piston crown can be polished with a metal polish. Remove the rags or masking tape from the other two cylinders and turn the crankshaft so that the two pistons which were at the bottom are now at the top. Place rag in the cylinders which have been decarbonised, and proceed as just described.

10 Examine the head of the valves for pitting and burning, especially the heads of the exhaust valves. The valve seatings should be examined at the same time. If the pitting on the valve and seat is very slight, the marks

can be removed by grinding the seats and valves together with coarse, and then fine, valve grinding paste.

11 Where bad pitting has occurred to the valve seats it will be necessary to recut them and fit new valves. This latter job should be entrusted to the local agent or engineering works. In practice it is very seldom that the seats are so badly worn. Normally it is the valve that is too badly worn for refitting, and the owner can easily purchase a new set of valves and match them to the seats by valve grinding.

12 Valve grinding is carried out as follows. Smear a trace of coarse carborundum paste on the seat face and apply a suction grinder tool to the valve head. With a semi-rotary motion, grind the valve head to its seat, lifting the valve occasionally to redistribute the grinding paste. When a dull matt even surface is produced on both the valve seat and the valve, wipe off the paste and repeat the process with fine carborundum paste, lifting and turning the valve to redistribute the paste as before. A light spring placed under the valve head will greatly ease this operation. When a smooth unbroken ring of light grey matt finish is produced, on both valve and valve seat faces, the grinding operation is complete. Carefully clean away every trace of grinding compound, take great care to leave none in the ports or in the valve guides. Clean the valve seats with a paraffin soaked rag, then with a clean rag, and finally, if an air line is available, blow the valves, valve guides and valve ports clean.

13 Check that all valve springs are intact. If any one is broken, all should be renewed. Check the free height of the springs against new ones. If some springs are not within specifications, replace them all. Springs suffer from fatigue and it is a good idea to renew them even if they look serviceable.

14 Check that the oil supply holes in the rocker arms are clear.

15 The cylinder head can be checked for warping either by placing it on a piece of plate glass or using a straight-edge and feeler blades. If there is any doubt or if its block face is corroded, have it re-faced by your dealer or motor engineering works.

16 Test the valves in their guides for side to

side rock. If this is any more than almost imperceptible, new guides must be fitted. Again this is a job for your dealer as a special tool is required to ensure the correct installation depth and the cylinder head must be warmed to 80°C (176°F) before fitting the guides.

17 Commence reassembly by oiling the stem of the first valve and pushing it into its guide which should have been fitted with a new oil seal (photos).

18 Fit the spring seat. Fit the valve spring so that the closer coils are towards the cylinder head and then fit the spring retaining cap.

19 Compress the valve spring and locate the split cotters in the valve stem cut-out (photo).

20 Gently release the compressor, checking to see that the collets are not displaced.

21 Fit the remaining valves in the same way.

22 Tap the end of each valve stem with a plastic or copper-faced hammer to settle the components.

23 The cylinder head is now ready for refitting as described in Section 7.

18 Examination and renovation



1 With the engine stripped down and all parts thoroughly clean, it is now time to examine everything for wear. The following items should be checked and where necessary renewed or renovated as described in the following Sections.

Cylinder block and crankcase

2 Examine the casting carefully for cracks especially around the bolt holes and between cylinders.

3 The cylinder bores must be checked for taper, ovality, scoring and scratching. Start by examining the top of the cylinder bores. If they are at all worn, a ridge will be felt on the thrust side. This ridge marks the limit of piston ring travel. The owner will have a good indication of bore wear prior to dismantling by the quantity of oil consumed and the emission of blue smoke from the exhaust especially when the engine is cold.

4 An internal micrometer or dial gauge can be



17.17A Valve stem oil seal



17.17B Inserting a valve into its guide



17.19 Fitting split collets

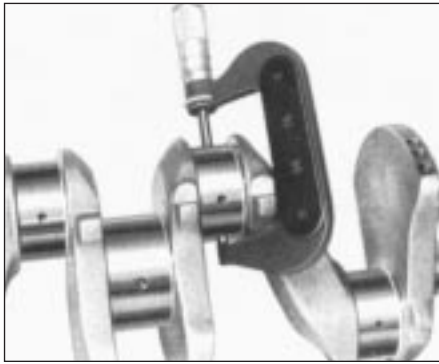


Fig. 1.25 Checking a crankpin (Sec 18)

used to check bore wear and taper against the Specifications, but this is a pointless operation if the engine is obviously in need of reboring due to excessive oil consumption.

5 Your engine reconditioner will be able to re-bore the block for you and supply the correct oversize pistons to give the correct running clearance.

6 If the engine has reached the limit for reboring then cylinder liners can be fitted, but here again this is a job for your engine reconditioner.

7 To rectify minor bore wear it is possible to fit proprietary oil control rings. A good way to test the condition of the engine is to have it at normal operating temperature with the spark plugs removed. Screw a compression gauge (available from most motor accessory stores) into the first plug hole. Hold the accelerator fully depressed and crank the engine on the starter motor for several revolutions. Record the reading. Zero the tester and check the remaining cylinders in the same way. All four compression figures should be approximately equal and within the tolerance given in the Specifications. If they are all low, suspect piston ring or cylinder bore wear. If only one reading is down, suspect a valve not seating.

Crankshaft and bearings

8 Examine the crankpin and main journal surfaces for signs of scoring or scratches. Check the ovality of the crankpins at different positions with a micrometer. If more than 0.001 inch (0.025 mm) out of round, the crankpins will have to be reground. They will also have to be reground if there are any scores or scratches present. Also check the journals in the same fashion.

9 Wear in a crankshaft can be detected while the engine is running. Big-end bearing and crankpin wear is indicated by distinct metallic knocking, particularly noticeable when the engine is pulling from low engine speeds. Low oil pressure will also occur.

10 Main bearing and journal wear is indicated by engine rumble increasing in severity as the engine speed increases. Low oil pressure will again be an associated condition.

11 Crankshaft grinding should be carried out

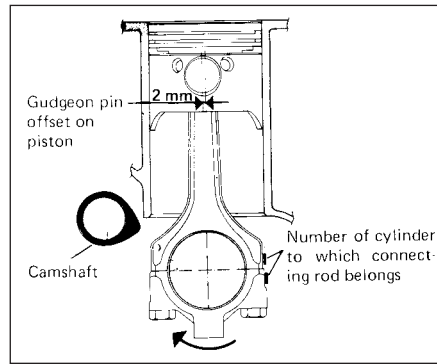


Fig. 1.26 Piston/connecting rod relationship (Sec 18)

by specialist engine reconditioners who will supply the matching undersize bearing shells to give the required running clearance.

12 Inspect the connecting rod big-end and main bearing shells for signs of general wear, scoring, pitting and scratching. The bearings should be matt grey in colour.

13 If a copper colour is evident, then the bearings are badly worn and the surface material has worn away to expose the underlay. Renew the bearings as a complete set.

14 At the time of major overhaul it is worthwhile renewing the bearing shells as a matter of routine even if they appear to be in reasonably good condition.

15 Bearing shells can be identified by the marking on the back of the shell. Standard sized shells are usually marked STD or 0.00. Undersized shells are marked with the undersize such as 0.25 mm.

Connecting rods

16 Check the alignment of the connecting rods visually. If you suspect distortion, have them checked by your dealer or engine reconditioner on the special jig which he will have.

17 The gudgeon pin is an interference fit in the connecting rod small-end and removal or refitting and changing a piston is a job best left to your dealer or engine reconditioner due to the need for a press and jig and careful heating of the connecting rod.



18.22 Piston ring marking



18.20 Using feeler blades to fit piston rings

Pistons and piston rings

18 If the cylinders have been rebored, then the reconditioner will supply the oversize pistons and rings and the gudgeon pins. Give the job of fitting the new pistons to the connecting rods to him.

19 If the original piston rings or just new rings are to be fitted to the original pistons, use great care to remove and fit the rings as they are easily broken if expanded too much. Always remove and fit rings from the crown end.

20 If three old feeler blades are slid behind the piston rings and located at equidistant points, the rings may be removed or fitted without their dropping into the wrong grooves and will reduce the chance of breakage (photo).

21 If the original pistons are being refitted, make sure that the ring grooves and their oil return holes are cleaned out and freed from carbon. A piece of piston ring is a useful tool for this purpose.

22 The three piston rings are as follows:
Top - Thinner compression marked TOP
Second - Thicker compression, step at base
Bottom - Oil control (photo)

23 If proprietary wear control rings are to be fitted to overcome bore wear, fit them strictly in accordance with the manufacturer's instructions.

24 Always check the piston ring groove



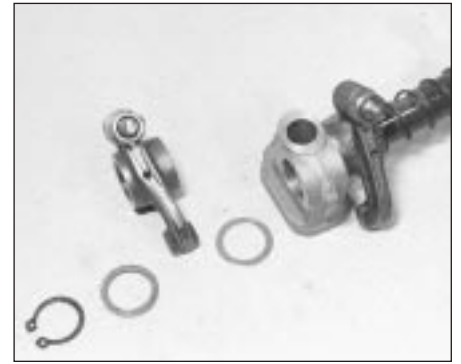
18.24A Checking piston ring groove clearance



18.24B Checking piston ring end gap



18.32 Camshaft bearing



18.41 Rocker components

clearance and end gap. Both clearances should be checked with a feeler gauge. Check the end gap when the ring has been pushed squarely down the cylinder bore for two or three inches (photos).

25 If new rings are being used and the cylinder bores have not been rebored, always make sure that the top compression ring has been stepped to prevent it contacting the bore wear ridge.

Flywheel

26 Check the clutch mating surface of the flywheel. If it is deeply scored (due to failure to renew a worn driven plate) then it may be possible to have it surface ground provided the thickness of the flywheel is not reduced too much.

27 If lots of tiny cracks are visible on the surface of the flywheel then this will be due to overheating caused by slipping the clutch or "riding" the clutch pedal.

28 With a pre-engaged type of starter motor it is rare to find the teeth of the flywheel ring gear damaged or worn but if they are, then the ring gear will have to be renewed.

29 To remove the ring gear, drill a hole between the roots of two teeth taking care not to damage the flywheel and then split the ring with a sharp cold chisel.

30 The new ring gear must be heated to between 180 and 220°C (356 and 428°F) which is very hot, so if you do not have facilities for obtaining these temperatures, leave the job to your dealer or engine reconitioner.

31 Where such facilities are available, then the ring gear should be either pressed or lightly tapped gently onto its register and left to cool naturally, when the contraction of the metal on cooling will ensure that it is a secure and permanent fit. Great care must be taken not to overheat the ring gear, as if this happens its temper will be lost. A clutch input shaft pilot bearing is not fitted on this engine.

Camshaft

32 Examine the camshaft bearings for wear, scoring or pitting. If evident then the bearings will have to be renewed. The three bearings

are of different sizes and they can be removed and new ones fitted using a bolt, nut and distance pieces. When drawing a new bearing into position, make sure that the oil hole is correctly aligned with the one in the crankcase. The centre and rear bearings require reaming after fitting, the bearing at the timing chain end is supplied ready reamed (photo).

33 The camshaft itself should show no marks or scoring on the journal or cam lobe surfaces. Where evident, renew the camshaft or have it reprofiled by a specialist reconitioner.

34 Check the teeth of the camshaft sprocket for wear. Renew the sprocket if necessary.

Cam followers

35 Examine the bearing surface of the cam followers which are in contact with the camshaft. Any indentations or cracks must be rectified by renewal. Clean sludge and dirt from the cam followers and check their fit in their bores. Side to side rock is unusual except at very high mileage.

Timing chain

36 Examine the teeth on both the crankshaft sprocket and the camshaft sprocket for wear. Each tooth forms an inverted "V" with the sprocket periphery and if worn, the side of each tooth under tension will be slightly concave in shape when compared with the other side of the tooth, ie; one side of the inverted "V" will be concave when compared with the other. If any sign of wear is present the sprockets must be renewed.

37 Examine the links of the chain for side slackness and particularly check the self-tensioning links for freedom of movement. Renew the chain if any slackness is noticeable when compared with a new chain. It is a sensible precaution to renew the chain at about 60 000 miles (96 000 km) and at a lesser mileage if the engine is stripped down for a major overhaul.

Cylinder head

38 This is covered in Section 17.

Rockers and rocker shaft

39 Thoroughly clean out the rocker shaft. As it acts as the oil passages for the valve gear, clean out the oil holes and make sure they are quite clear. Check the shaft for straightness by rolling it on a flat surface. If it is distorted, renew it.

40 The surface of the shaft should be free from any wear ridges caused by the rocker arms. If it is not, the shaft will have to be renewed. Blocked shaft oil holes often contribute to such wear.

41 Check the rocker arms for wear of the rocker bushes, for wear at the rocker arm face which bears on the valve stem, and for wear of the adjusting ball ended screws. Wear in the rocker arm bush can be checked by gripping the rocker arm tip and holding the rocker arm in place on the shaft, noting if there is any lateral rocker arm shake. If any shake is present, and the arm is very loose on the shaft, remedial action must be taken. It is recommended that a worn rocker arm be taken to your local FIAT agent or automobile engineering works to have the old bush drawn out and a new bush fitted (photo).

42 Check the tip of the rocker arm where it bears on the valve head, for cracking or serious wear on the case hardening. If none is present the rocker arm may be refitted. Check the pushrods for straightness by rolling them on a flat surface.

Oil pump

43 Unscrew the four securing bolts which connect the two halves of the pump body.

44 Clean all the components in a bath of paraffin and dry them.

45 Inspect the gears for wear or damage and then check for wear in the following way.

46 Insert a feeler blade between the tooth peak and the body. This should be between 0.05 and 0.14 mm (0.0019 and 0.0055 in).

47 Now place a straight-edge across the body flange and check for gear endfloat. This should be between 0.020 and 0.105 mm (0.0008 and 0.0041 in). Where the clearances exceed the specified limits, renew the pump.

48 Check that the oil pressure relief valve spring is in good condition and not deformed.

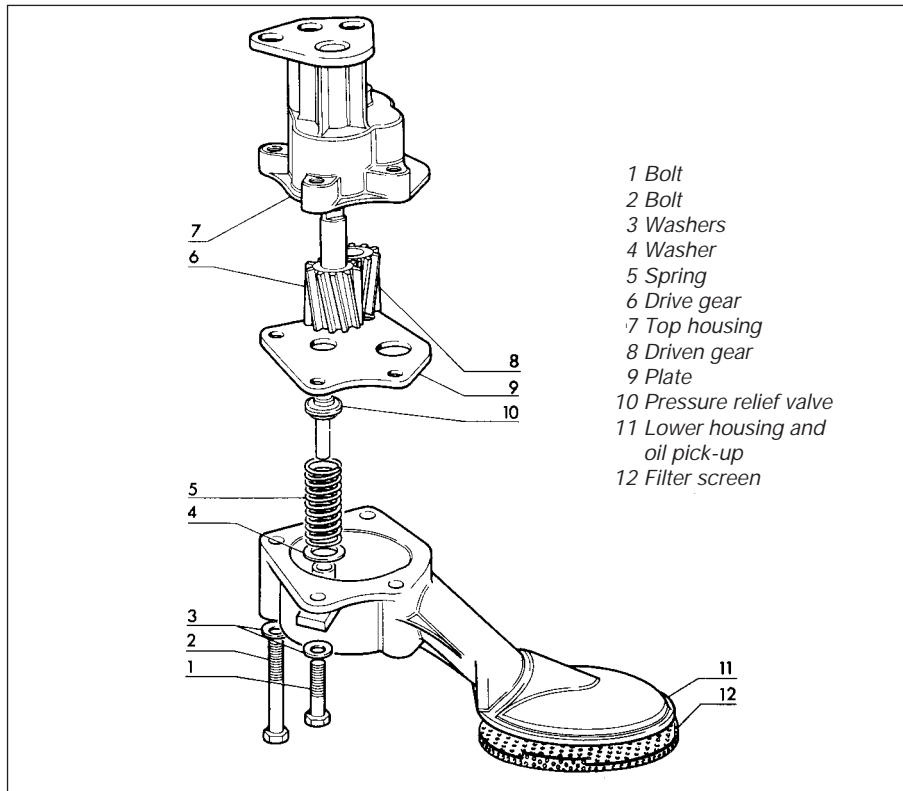


Fig. 1.27 Exploded view of oil pump (Sec 18)

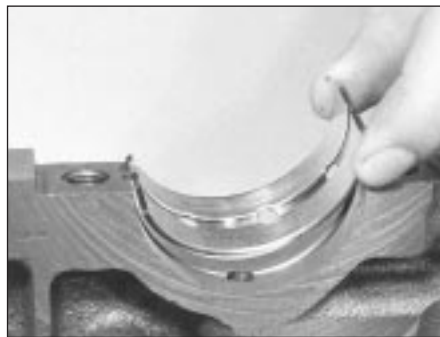
Oil seals and gaskets

49 It is recommended that all gaskets and oil seals are renewed at major engine overhaul. Sockets are useful for removing or refitting oil seals. An arrow is moulded onto some seals to indicate the rotational direction of the component which it serves. Make sure that the seal is fitted the correct way round to comply with the arrow.

19 Engine - reassembly (general)

1 To ensure maximum life with minimum trouble from a rebuilt engine, not only must every part be correctly assembled, but everything must be spotlessly clean, all the oilways must be clear, locking washers and spring washers must always be fitted where indicated and all bearing and other working surfaces must be thoroughly lubricated during assembly. Before assembly begins renew any bolts or studs whose threads are in any way damaged; whenever possible use new spring washers.

2 Apart from your normal tools, a supply of non-fluffy rag, an oil can filled with engine oil, a supply of new spring washers, a set of new gaskets and a torque wrench should be gathered together.



20.1 Fitting a main bearing shell



20.2 Crankshaft thrust washer

20 Engine - complete reassembly



Crankshaft and main bearings

1 With the cylinder block inverted on the bench, wipe out the crankcase shell bearing seats and fit the half shells so that their tabs engage in the notches (photo).

2 Stick the semi-circular thrust washers either side of the centre bearing in the crankcase using thick grease. Make sure that the oil grooves are visible when the washers are fitted (photo).

3 If the original bearing shells are being refitted, make sure that they are returned to their original positions.

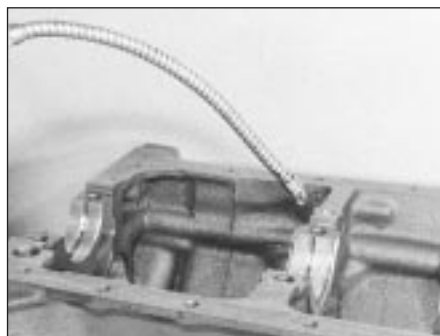
4 Liberally oil the bearing shells and lower the crankshaft into position. Make sure that it is the correct way round (photos).

5 Wipe out the main bearing caps and fit the bearing shells into them.

6 Oil the crankshaft journals and fit the main bearing caps, the correct way round and in proper sequence (photo).

7 Replace the main bearing cap bolts and screw them up finger-tight.

8 Test the crankshaft for freedom of rotation. Should it be very stiff to turn, or possess high spots, a most careful inspection must be made, preferably by a skilled mechanic with a



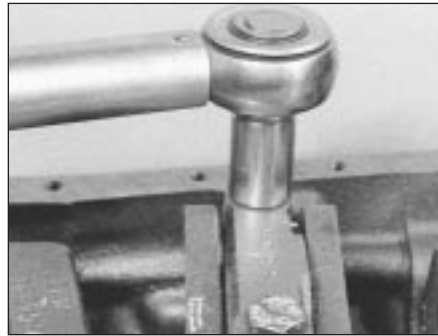
20.4A Oiling main bearing shells



20.4B Lowering crankshaft into position



20.6 Fitting a main bearing cap



20.9 Tightening main bearing cap bolts



20.10 Checking crankshaft end float

micrometer to trace the cause of the trouble. It is very seldom that any trouble of this nature will be experienced when fitting the crankshaft.

9 Tighten the main bearing bolts to the specified torque wrench settings (photo).

10 Using a dial gauge or feeler blades inserted between a thrust washer and the crankshaft, check the crankshaft endfloat. If it exceeds the specified limit, the thrust washers can be changed for thicker ones (photo).

11 Bolt on the crankshaft rear oil seal carrier using a new gasket. The carrier should have been fitted with a new oil seal and the seal lips greased (photos).

12 Fit the engine rear plate (photo).

Flywheel

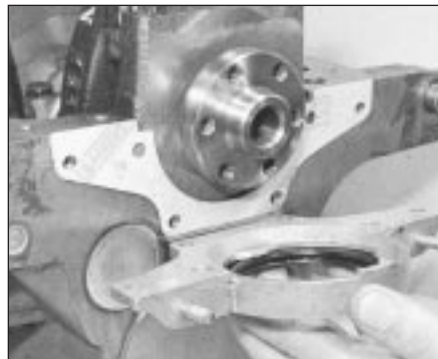
13 Offer the flywheel to the crankshaft. With pistons No. 1 and 4 at TDC, the dimple on the flywheel must be uppermost.

14 Screw in and tighten the bolts to the specified torque. The crankshaft may be held against rotation by either jamming the starter ring gear or placing a block of wood between one of the crankshaft webs and the inside of the crankcase (photo).

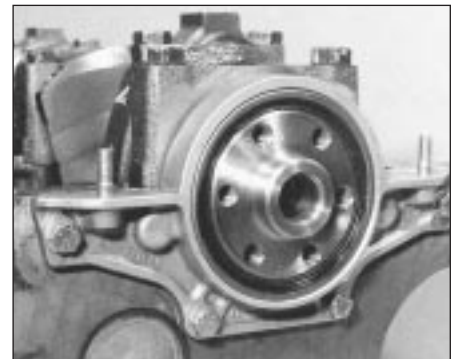
Camshaft

15 Oil the cam followers and return them to their original positions (photo).

16 Oil the camshaft bearings and insert the camshaft, taking great care not to damage the bearings with the cam lobes. Fit the front bearing, chamfer inwards (photos).



20.11A Crankshaft rear oil seal carrier and gasket



20.11B Crankshaft oil seal and carrier fitted



20.12 Engine rear plate



20.14 Tightening flywheel bolts



20.15 Cam followers



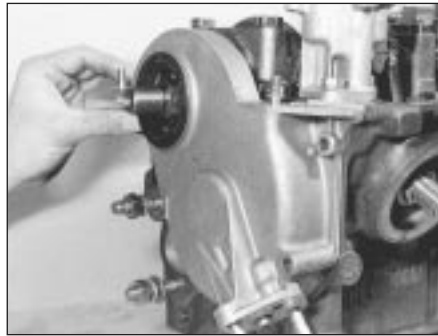
20.16A Fitting camshaft



20.16B Camshaft front bearing



20.17 Camshaft front bearing lockscrew



20.20 Timing cover



20.23 Tightening crankshaft pulley nut

17 Screw in the camshaft front bearing lockscrew (photo).

Oil pump

18 Refit the oil pump as described in Section 10.

Timing chain and sprockets

19 Fit the timing chain and sprockets as described in Section 6. Fit the Woodruff key to the crankshaft nose.

20 Using a new gasket, fit the timing chain cover, but leave the bolts finger tight (photo).

21 Apply grease to the lips of the timing cover oil seal and then push the crankshaft pulley into position.

22 Move the timing cover if necessary so that the pulley hub is centralised in the oil seal and then tighten the cover bolts.

23 Screw on the crankshaft pulley nut and tighten to the specified torque (photo).

HAYNES HINT *Hold the crankshaft against rotation either by jamming the starter ring gear or by placing a block of wood between a crankshaft web and the inside of the crankcase.*

Piston/connecting rods

24 Fit these as described in Section 9.

Sump pan

25 Fit the sump pan as described in Section 8.

Cylinder head

26 Stand the engine upright and fit the cylinder head as described in Section 7.

27 Insert the pushrods in their original fitted order.

28 With the rocker arm adjuster screws fully unscrewed, locate the rocker gear and screw on the fixing nuts.

29 Adjust the valve clearances as described in Section 5.

30 Locate a new gasket in position and fit the rocker cover (photo).

31 Screw on a new oil filter (Section 2).

21 Engine - refitting ancillary components

1 Refer to Chapter 5 and refit the clutch, making sure to centralise the driven plate.

2 Fit the coolant pump as described in Chapter 2. Fit the thermostat housing if it was removed noting the air cleaner mounting bracket on the housing studs.

3 Fit the alternator and drivebelt as described in Chapter 9.

4 Refer to Chapter 3 and fit the exhaust manifold and hot air collector, the carburettor and spacer and the fuel pump.

5 Fit the distributor as described in Chapter 4. Fit the oil dipstick guide tube (photos).

22 Engine/transmission - reconnection



1 Support the weight of the transmission and offer it squarely to the engine. The splined input shaft should pass easily through the hub of the driven plate, provided the plate has been centralised as described in Chapter 5. It may be necessary to align the splines with the hub grooves, in which case have an assistant turn the crankshaft pulley nut. The alignment dowels will make the connection stiff, so drawing the engine and transmission together with two connecting bolts will ease it.

2 Once the engine and transmission are fully engaged, insert and tighten all the connecting bolts. Locate the lifting eyes.

3 Bolt on the flywheel housing cover plate and the mounting brackets.

4 Bolt on the starter motor.

23 Engine/transmission - refitting



1 The refitting operations are reversals of those described in Section 13.

2 Observe the following special points.

3 Tighten the engine mounting and front suspension (disconnected) bolts to the specified torque when the hoist has been



20.30 Rocker cover nut and thrust plate



21.5A Dipstick guide tube



21.5B Dipstick guide tube support

removed and the weight of the car is again on its roadwheels.

4 Fill the cooling system.

5 Fill the engine with oil.

6 Replenish lost transmission oil.

7 Reconnect the battery.

8 Adjust the clutch pedal as described in Chapter 5.

24 Engine - initial start-up after overhaul or major repair



1 Make sure that the battery is fully charged and that all lubricants, coolant and fuel are replenished.

2 If the fuel system has been dismantled it will require several revolutions of the engine on the starter motor to pump the petrol up to the carburettor.

3 Turn the carburettor throttle speed screw

through one complete turn to increase the idle speed in order to offset the initial stiffness of new engine internal components.

4 As soon as the engine fires and runs, keep it going at a fast idle speed and bring it up to normal working temperature.

5 As the engine warms up there will be odd smells and some smoke from parts getting hot and burning off oil deposits. The signs to look for are leaks of water or oil which will be obvious.

6 Check also the exhaust pipe and manifold connections as these do not always "find" their exact gas tight position until the warmth and vibration have acted on them and it is almost certain that they will need tightening further. This should be done, of course, with the engine stopped.

7 When normal running temperature has been reached, adjust the engine idle speed as described in Chapter 3.

8 Stop the engine and wait a few minutes to

see if any lubricant or coolant is dripping out when the engine is stationary.

9 Road test the car to check that the timing is correct and that the engine is giving the necessary smoothness and power. Do not race the engine - if new bearings and/or pistons have been fitted it should be treated as a new engine and run in at a reduced speed for the first 500 km (300 miles).

10 After the first 1500 km (900 miles) the cylinder head bolts must be re-torqued in the following way (engine cold).

11 Remove the air cleaner and rocker cover. Unscrew the first bolt (Fig. 1.7) through a quarter turn and then tighten it to final stage 2 torque (see Specifications).

12 Repeat on the remaining bolts, one at a time.

13 Check and adjust the valve clearances (Section 5).

14 Refit the rocker cover and air cleaner.

Part 3: 1116 cc and 1301 cc engines

25 Valve clearances - checking



This should only be required if the valves have been renewed or ground in, or at high mileages when noise or poor engine performance indicates that a check is necessary.

It is important that each valve clearance is set correct otherwise the timing will be wrong and engine performance poor. If there is no clearance at all, the valve and its seat will soon burn. Always set the clearances with the engine cold.

1 Remove the camshaft cover. Jack-up a front wheel and engage top gear so that by turning the wheel, the crankshaft can be rotated.

2 Each valve clearance must be checked when the high point of the cam is pointing directly upward away from the cam follower.

3 Check the clearances in the firing order 1-3-4-2, No. 1 cylinder being at the timing belt end of the engine. This will minimise the amount of crankshaft rotation required.

4 Insert the appropriate feeler blade between the heel of the cam and the cam follower shim of the first valve. If necessary alter the thickness of the feeler blade until it is a stiff, sliding fit. Record the thickness, which will, of course, represent the valve clearance for this particular valve (photo).

5 Turn the crankshaft, check the second valve clearance and record it.

6 Repeat the operations on all the remaining valves, recording their respective clearances.

7 Remember that the clearance for inlet and exhaust valves differs - see Specifications. Counting from the timing cover end of the engine, the valve sequence is:

Inlet	2-3-6-7
Exhaust	1-4-5-8

26 Valve clearances - adjustment



1 Check the valve clearances (Section 25).

2 Clearances which are incorrect will mean the particular shim will have to be changed. To remove the shim, turn the crankshaft until

the high point of the cam is pointing directly upward. The cam follower will now have to be depressed so that the shim can be extracted. Special tools (A60642 and A87001) are available from your Fiat dealer to do the job, otherwise you will have to make up a forked lever to locate on the rim of the cam follower. This must allow room for the shim to be prised out by means of the cut-outs provided in the cam follower rim (photo).

3 Once the shim is extracted, establish its thickness and change it for a thicker or thinner one to bring the previously recorded clearance within specification. For example, if the measured valve clearance was 1.27 mm (0.05 in) too great, a shim thicker by this amount will be required. Conversely, if the clearance was 1.27 mm (0.05 in) too small, a shim thinner by this amount will be required.

4 Shims have their thickness (mm) engraved on them; although the engraved side should be fitted so as not to be visible, wear still occurs and often obliterates the number. In this case, measuring their thickness with a metric micrometer is the only method to establish their thickness (photo).



25.4 Checking a valve clearance



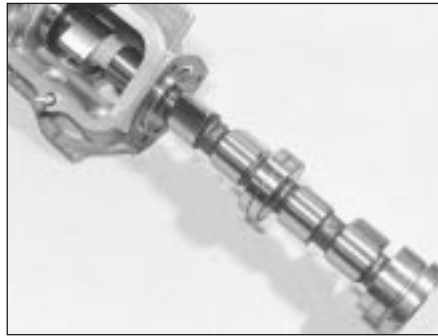
26.2 Removing a shim from a cam follower



26.4 Shim engraved mark



27.13A Removing camshaft end cover



27.13B Withdrawing camshaft from carrier



27.18 Tightening a camshaft carrier bolt

5 In practice, if several shims have to be changed, they can often be interchanged, so avoiding the necessity of having to buy more new shims than is necessary.

6 If more than two or three valve clearances are found to be incorrect, it will be more convenient to remove the camshaft carrier for easier removal of the shims.

7 Where no clearance can be measured, even with the thinnest available shim in position, the valve will have to be removed and the end of its stem ground off squarely. This will reduce its overall length by the minimum amount to provide a clearance. This job should be entrusted to your dealer as it is important to keep the end of the valve stem square.

8 On completion, refit the camshaft cover and gasket.

27 Camshaft and camshaft carrier - removal and refitting



- 1 Disconnect the battery.
- 2 Remove the air cleaner (see Chapter 3).
- 3 Disconnect the fuel filter hose from the fuel pump and tie it back, out of the way.
- 4 Identify and then disconnect any electrical leads which must be moved away to enable the camshaft cover to be withdrawn.
- 5 Identify and disconnect any vacuum gases which must be moved away to enable the camshaft cover to be withdrawn.
- 6 Unscrew the securing nuts and remove the camshaft cover.
- 7 Turn the crankshaft pulley nut until No. 4 piston is at TDC. This can be established as described in Section 28.
- 8 Unbolt and remove the timing belt cover.
- 9 Check that the timing mark on the camshaft sprocket is aligned with, and adjacent to the pointer on the timing belt cover backplate.
- 10 Restrain the timing belt with the hand and release but do not remove the camshaft sprocket bolt. Release the belt tensioner pulley by slackening the pulley centre nut. Push the timing belt evenly from the sprockets, noting which way round the belt is

fitted if it is to be completely removed. The lettering on the belt is normally legible from the crankshaft pulley end of the engine when the belt is as originally fitted.

11 Unbolt the camshaft carrier and lift it sufficiently from the cylinder head to break the seal of the mating faces. **Note:** It is important not to allow the cam followers to pull out; they must be retained in their original locations. This can be done if the carrier is raised very slowly, until the fingers can be inserted to prise the cam followers onto their respective valve spring retainers. It is unlikely that the valve clearance adjusting shims will be displaced from their recesses in the cam followers because of the suction of the lubricating oil, but watch that this does not happen; the shims must also be retained in their originally fitted sequence.

12 Remove the previously loosened camshaft sprocket bolt and take the sprocket from the camshaft.

13 Unbolt and remove the camshaft end cover with its gasket. Withdraw the camshaft (photos).

14 Refitting is a reversal of the removal process, but observe the following points.

15 Use new gaskets.

16 Retain the cam followers and shims in their bores in the camshaft carrier with thick grease; they must not be allowed to drop out when the carrier is lowered onto the cylinder head.

17 If the crankshaft or camshaft have been moved from their set positions, re-align the sprocket timing mark with the pointer on the belt cover and the crankshaft pulley or flywheel with the TDC mark. This must be observed otherwise the valves may impinge upon the piston crowns when the camshaft lobes compress any of the valve springs during bolting down of the carrier.

18 Screw in the carrier bolts and tighten them to the specified torque (photo).

19 Refit and tension the timing belt as described in Section 28.

20 Refit the camshaft cover and gasket.

21 Refit the hose and air cleaner.

22 Reconnect the battery.

28 Timing belt - renewal



1 Set No. 4 piston at TDC. Do this by turning the crankshaft pulley nut or by jacking up a front roadwheel, engaging a gear and turning the wheel until the mark on the flywheel is opposite to the TDC mark on the flywheel bellhousing aperture. Remove No. 4 spark plug, place a finger over the plug hole and feel the compression being generated as the crankshaft is rotated and the piston rises up the cylinder bore.

2 On some models the TDC marks on the crankshaft pulley and belt cover may be visible and can be used instead.

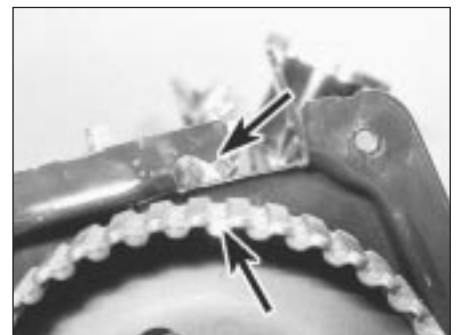
3 Remove the alternator drivebelt (Chapter 2, Section 8). Unbolt and remove the timing belt cover.

4 Check that the timing mark on the camshaft sprocket is aligned with the pointer on the belt cover backing plate (photo).

5 Slacken the nut in the centre of the tensioner pulley and push in on the support to release the tension on the belt, then retighten the nut. Slide the drivebelt off the pulleys.

6 Check that the crankshaft and camshaft pulleys have not been moved from their previously aligned positions.

7 To check that the auxiliary shaft sprocket has not moved, take off the distributor cap and check that the contact end of the rotor arm is aligned with No. 4 HT lead contact in the cap.



28.4 Camshaft sprocket alignment marks



Fig. 1.28 TDC marks (1) at front of engine (Sec 28)



28.8 Slipping timing belt onto tensioner pulley

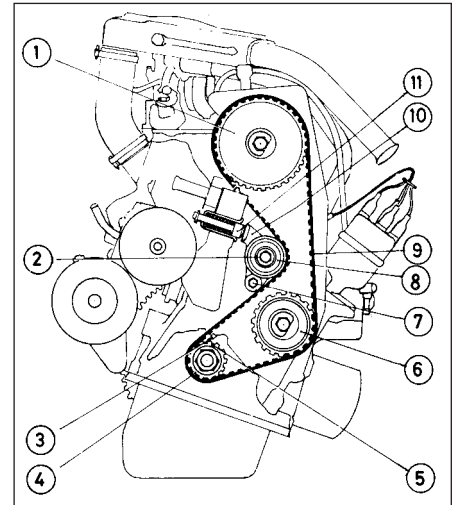


Fig. 1.29 Timing belt arrangement (Sec 28)

- 1 Camshaft sprocket
- 2 Tensioner pulley locknut
- 3 Timing mark on crankshaft front oil seal retainer
- 4 Crankshaft sprocket
- 5 Crankshaft sprocket timing mark
- 6 Auxiliary shaft sprocket
- 7 Tensioner bracket bolt
- 8 Tensioner pulley
- 9 Timing belt
- 10 Tensioner bracket
- 11 Tensioner spring

8 Fit the new belt. Start at the crankshaft drive pulley and, taking care not to kink or strain the belt, slip it over the camshaft pulley. The camshaft may have to be turned slightly to mesh the pulley with the teeth on the belt. Fit the belt on the tensioner pulley last; if this is difficult, do not lever or force the belt on, recheck the belt (photo).

9 Release the tensioner nut and rotate the crankshaft through two complete revolutions. Retighten the nut. The belt tension may be checked by twisting it through 90° with the finger and thumb. It should just turn through this angle without undue force. **Note:** *The above procedure serves only as a rough guide to setting the belt tension - having it checked by a FIAT dealer at the earliest opportunity is recommended.*

10 Refit the timing belt cover (photo). Fit and tension the alternator drivebelt (Chapter 2, Section 8).

5 Disconnect the HT leads from the spark plugs.

6 Disconnect the brake servo vacuum hose from the intake manifold.

7 Disconnect the coolant hoses from the thermostat housing.

8 Disconnect the crankcase ventilation system hoses from the rocker cover and carburettor.

9 Unbolt and remove the timing belt cover.

10 Release the timing belt tensioner pulley bolt, then lever the pulley against the spring plunger and retighten the bolt to retain the tensioner pulley in the non-tensioned position. Slip the belt from the camshaft sprocket.

11 Disconnect the coolant hoses from the carburettor and intake manifold.

12 Disconnect the exhaust downpipes from the manifold.

13 If a crowfoot type wrench is available, the cylinder head nuts and bolts can be removed and the complete cylinder head camshaft carrier assembly withdrawn (photo).

14 If this type of wrench is not available however, remove the carrier first as described in Section 27.

15 If a crowfoot is available, unscrew the cylinder head nuts and bolts evenly and progressively starting with the centre ones and working towards both ends.

16 Rock the cylinder head by gripping the manifolds. **Note:** *Do not insert a lever in the gasket joint to prise the head from the block.*

17 Pull the head off the studs and remove it to the bench. Remove and discard the old cylinder head gasket.

18 Unbolt and remove the hot air collecting shield for the air cleaner from the exhaust manifold. The exhaust and inlet manifolds can now be unbolted. The carburettor may remain on the inlet manifold.

19 Overhaul and decarbonising of the cylinder head is described in Section 39.

20 Refitting is a reversal of the removal process, but make sure the crankshaft and camshaft timing marks are set as described in Section 28 to avoid the valve heads digging into the piston crowns when the head is refitted.

21 Always use new gaskets. The cylinder

29 Cylinder head - removal and refitting



- 1 Drain the cooling system (see Chapter 2).
- 2 Disconnect the battery.
- 3 Disconnect and plug the carburettor fuel hoses.
- 4 Disconnect the throttle and choke linkage from the carburettor.



28.10 Tightening timing belt cover nut



29.13 Using a crowfoot type wrench on a cylinder head bolt

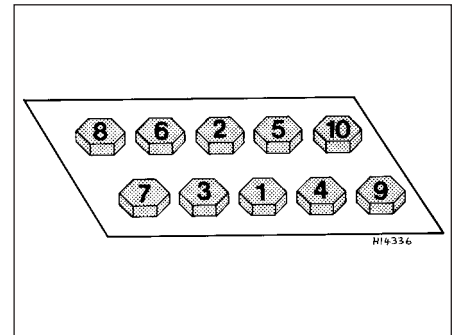
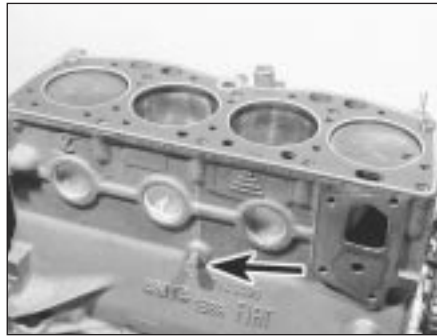


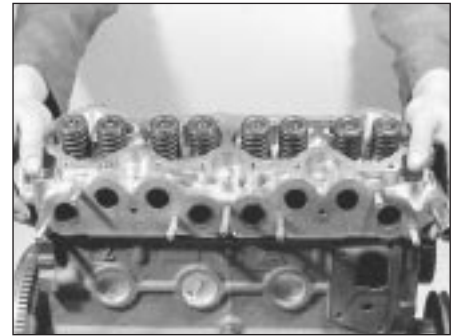
Fig. 1.30 Cylinder head bolt tightening sequence (Sec 29)



29.21A Cylinder head gasket top face marking



29.21B Cylinder head gasket in position - cylinder block drain plug arrowed



29.21C Lowering cylinder onto block

head gasket must be fitted (ALTO visible) so that the oil pressure hole in the block is central in the copper ringed cut-out in the gasket (photos). Make sure that the gasket surfaces on head and block are perfectly clean and free from oil, otherwise the heat sealing (polymerisation) process of the gasket cannot take place.

22 Tighten the cylinder head nuts and bolts to the specified torque, in the sequence shown in Fig. 1.30. Follow the procedure very carefully owing to the special type (ASTADUR) of gasket used which hardens in use. Always keep a new cylinder head gasket in its nylon cover until just before it is required for use.

23 Oil the cylinder head bolts and washers and allow them to drain for thirty minutes.

24 Tighten the bolts in the following stages:

- Stage 1 20 Nm (15 lbf ft)
- Stage 2 40 Nm (30 lbf ft)
- Stage 3 Through 90°
- Stage 4 Through 90° (photo)

Retightening the bolts after a running-in mileage is not required.

25 Fit the timing belt (Section 28).

26 Check the valve clearances (Section 26) after the camshaft carrier has been fitted (Section 27).

27 Bolt on the camshaft carrier cover.

28 Reconnect all hoses, leads and controls.

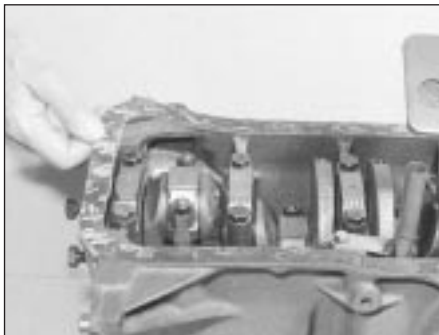
29 Reconnect the battery and refill the cooling system.



29.24 Tightening a cylinder head bolt through 90° using a protractor

30 Sump pan - removal and refitting

- 1 Position the car over an inspection pit or raise the front wheels on ramps.
- 2 Disconnect the battery.
- 3 Drain the engine oil. Unbolt and remove the flywheel housing lower cover plate.
- 4 Unbolt the sump pan and remove it together with its gasket.
- 5 Refitting is a reversal of removal. Always use a new gasket locating it on clean mating flanges and tighten the fixing bolts evenly and progressively (photo).
- 6 Fill the engine with oil and reconnect the battery.



30.5 Locating the sump pan gasket



31.3 Bolting on the oil pump

31 Oil pump - removal and refitting

- 1 Remove the sump pan as described in the preceding Section.
- 2 Unbolt the oil pump and withdraw it complete with driveshaft.
- 3 Use a new gasket when refitting the pump and prime the pump by pouring engine oil through the pick-up filter screen (photo).

32 Pistons/connecting rod - removal and refitting

- 1 Remove the sump pan and the oil pump as described in Sections 30 and 31.

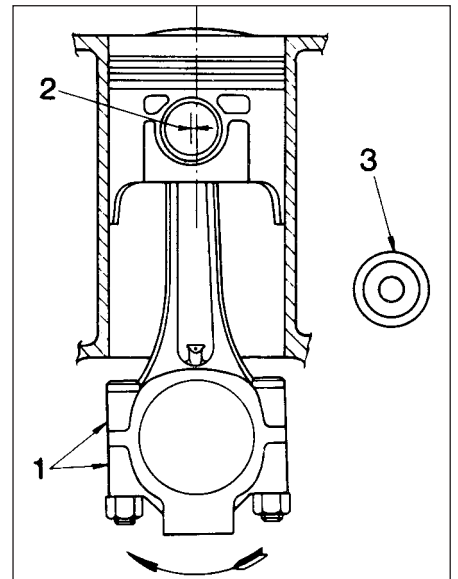


Fig. 1.31 Piston/connecting rod assembly diagram (Sec 32)

- 1 Matching numbers
- 2 Gudgeon pin offset
- 3 Auxiliary shaft

Arrow indicates direction of rotation of crankshaft viewed from timing belt end



32.14 Fitting piston into cylinder bore

2 The big-end bearing shells can be renewed without having to remove the cylinder head if the caps are unbolted and the piston/connecting rod pushed gently about one inch up the bore (the crankpin being at its lowest point). If these shells are worn, however, the main bearing shells will almost certainly be worn as well. In this case, the engine should be removed for complete overhaul including crankshaft removal.

3 To remove the piston/connecting rods, remove the cylinder head as described in Section 29.

4 Grip the oil pick-up pipe and twist or rock it from its hole in the crankcase. It is an interference fit in the hole.

5 Unscrew the nuts from the big-end caps, then remove the caps with their bearing shells. The caps and their connecting rods are numbered 1, 2, 3 and 4 from the timing cover end of the engine. The numbers are adjacent at the big-end cap joint and on the side of the crankcase furthest from the auxiliary shaft.

6 If the bearing shells are to be used again, tape them to their respective big-end caps.

7 Push each connecting rod/piston assembly up the bore and out of the cylinder block. There is one reservation; if a wear ridge has developed at the top of the bores, remove this by careful scraping before trying to remove the piston/rod assemblies. The ridge will otherwise prevent removal or break the piston rings during the attempt.

8 If the connecting rod bearing shells are to be used again, tape the shells to their respective rods.

9 Dismantling the piston/connecting rod is described in Section 18.

Refitting

10 Fit the new shells into the connecting rod and caps, ensuring the surfaces on which the shells seat, are clean and dry.

11 Check that the piston ring gaps are evenly spaced at 120° intervals. Liberally oil the rings and the cylinder bores.

12 Fit a piston ring clamp to compress the rings.

13 Insert the piston/connecting rod into the cylinder bore, checking that the rod assembly is correct for that particular bore. The cap and rod matching numbers must be furthest away from the auxiliary shaft (Fig. 1.31).



32.15 Fitting a big-end cap

14 Push the piston into the bore until the piston ring clamp is against the cylinder block and then tap the crown of the piston lightly to push it out of the ring clamp and into the bore (photo).

15 Oil the crankshaft journal and fit the big-end of the connecting rod to the journal. Fit the big-end cap and nuts, checking that the cap is the right way round (photo).

16 Tighten the big-end nuts to the specified torque. The correct torque is important as the nuts have no locking arrangement. After tightening each big-end, check the crankshaft rotates smoothly (photo).

17 Refit the oil pick-up pipe, the cylinder head, oil pump and sump pan, all as described earlier.

18 Refill the engine with oil and coolant.

33 Engine mountings - renewal

1 Three engine/transmission flexible mountings are used.

2 To renew a mounting, support the weight of the engine/transmission on a hoist or jack and unbolt and remove the mounting.

3 In the unlikely event of all three mountings requiring renewal at the same time, only disconnect them and renew them one at a time.

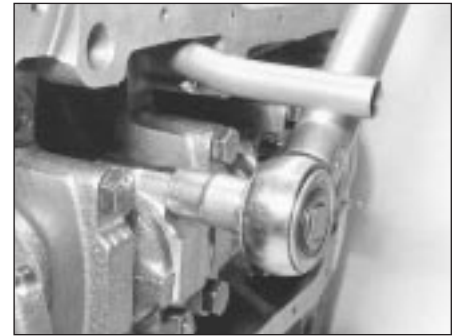
34 Engine - method of removal

1 The engine complete with transmission should be removed by lowering it to the floor and withdrawing it from under the front of the car which will have been raised to provide adequate clearance.

35 Engine/transmission - removal and separation

1 Open the bonnet, disconnect the windscreen washer tube.

2 Mark the hinge positions on the underside



32.16 Tightening a big-end cap nut

of the bonnet and then with the help of an assistant to support its weight unbolt and remove the bonnet to a safe place.

3 Disconnect the battery negative lead.

4 Drain the cooling system and the engine and transmission oils.

5 Remove the air cleaner.

6 From the rear of the alternator disconnect the electrical leads.

7 Disconnect the leads from the starter motor, oil pressure and coolant temperature switches, also the oil temperature switch.

8 Disconnect the LT lead from the distributor and the HT lead from the ignition coil.

9 Disconnect the clutch cable from the release lever at the transmission. Also disconnect the speedometer drive cable (knurled ring).

10 Pull the leads from the reversing lamp switch.

11 Disconnect all coolant hoses from the engine. Also disconnect the brake servo hose from the intake manifold.

12 Disconnect the choke and throttle controls from the carburettor.

13 Disconnect the inlet hose from the fuel pump and plug the hose.

14 Disconnect the fuel return hose from the carburettor.

15 Disconnect the coolant hoses from the carburettor throttle block.

16 Raise the front of the car and remove the front roadwheels.

17 Unscrew and remove the driveshaft to hub nuts. These are very tight and a long knuckle bar will be required when unscrewing them. Have an assistant apply the brake pedal hard to prevent the hub from turning.

18 Working under the car, remove the inner wing protective shields and then disconnect the exhaust downpipe from the manifold.

19 Disconnect the exhaust pipe sections by removing the socket clamp just forward of the rear axle beam. Remove the front section.

20 Disconnect the forward ends of the gearchange rods by prising their sockets from the ballstuds.

21 Unscrew the nuts on the steering tie-rod end balljoints and then using a suitable "splitter" tool, separate the balljoints from the steering arms.

22 Unbolt the front brake hose support clips

from the suspension struts and then remove the bolts which secure the hub carriers to the U-clamps at the base of the suspension struts.

23 Pull the tops of the hub carriers down and then outwards and push the driveshafts from them.

24 Unbolt the driveshaft inboard boot retainers and then remove the driveshafts from the transmission.

25 Support the engine on a hoist or use a trolley jack under the engine/transmission. Remove the bottom mounting and then the upper left and right-hand ones.

26 Lower the power unit to the floor by pushing it to the left-hand side to clear the right-hand mounting bracket and then swivel the gearbox towards the rear of the car. Withdraw the engine/transmission from under the car.

27 External dirt and grease should now be removed using paraffin and a stiff brush or a water-soluble solvent.

28 Unbolt and remove the engine mounting brackets and the starter motor.

29 Unbolt and remove the cover plate with the gearchange ball stud strut from the lower front face of the flywheel housing.

30 With the engine resting squarely on its sump pan, unscrew the flywheel housing connecting bolts, noting the location of any lifting lugs and hose and wiring clips.

31 Support the weight of the transmission and withdraw it in a straight line from the engine.

36 Engine - dismantling (general)

Refer to Section 14, Part 2.

37 Engine ancillary components - removal

Refer to Section 15, Part 2 and also remove the intake manifold.

38 Engine - complete dismantling



1 Have the engine resting squarely and supported securely on the work surface.

2 Unbolt and remove the timing belt cover.

3 Grip the now exposed timing belt with the hands and loosen the camshaft sprocket.

4 Release the timing belt tensioner pulley centre bolt, then slip the belt from the pulley and sprockets to remove it. Note which way round the belt is fitted, usually so that the lettering on the belt can be read from the crankshaft pulley end of the engine.

5 Remove the camshaft sprocket.

6 Unbolt and remove the camshaft timing belt cover backing plate.

7 Unbolt and remove the camshaft carrier cover.

8 Unbolt the camshaft carrier and lift it off very slowly, at the same time pushing the cam followers and their shims down with the fingers securely onto their respective valve springs. It is easy to remove the camshaft carrier too quickly with some of the cam followers stuck in it and as the carrier is lifted away, the cam followers will fall out. If this happens, the valve clearances will be upset as the cam followers and shims cannot be returned, with any certainty, to their original positions. Keep the cam followers and shims in their originally fitted order.

9 Unscrew and remove the cylinder head bolts and nuts, grip the manifold, rock the head and remove the complete cylinder head/manifold/carburettor assembly. Remove and discard the cylinder head gasket.

10 Unbolt the coolant pump from the side of the cylinder block and remove it complete with coolant distribution pipe. Remove the crankcase breather.

11 Remove the distributor/oil pump driveshaft. This is simply carried out by inserting a finger into the hole vacated by the distributor and wedging it in the hole in the end of the driveshaft. Lift the shaft out of mesh with the auxiliary shaft. Where the distributor is driven by the camshaft, a cover plate retains the oil pump driveshaft in position.

12 Unbolt and remove the sprocket from the end of the auxiliary shaft. The sprocket is held to the shaft with a Woodruff key.

13 Unbolt the auxiliary shaft retainer and withdraw the shaft from the crankcase.

14 Unscrew and remove the crankshaft pulley nut. This is very tight and the flywheel starter ring gear will have to be jammed with a cold chisel or a suitably bent piece of steel to prevent the crankshaft rotating.

15 Withdraw the crankshaft sprocket, which is located by the Woodruff key.

16 Unbolt the front engine mounting bracket from the cylinder block, together with the timing belt cover screw anchor bush. Unbolt and remove the timing belt tensioner pulley.

17 Unscrew the flywheel securing bolts. The

starter ring gear will again have to be jammed to prevent the crankshaft rotating as the bolts are unscrewed. Mark the flywheel position in relation to the crankshaft mounting flange, then remove it.

18 Unbolt the front and rear crankshaft oil seal retainer bolts from the crankcase and the sump. Remove the oil seal retainers.

19 Turn the engine on its side, extract the remaining sump bolts and remove the sump. If it is stuck, try tapping it gently with a soft-faced hammer. If this fails, cut all round the sump-to-gasket flange with a sharp knife. Do not try prising with a large screwdriver; this will only distort the sump mating flange.

20 With the sump removed, unbolt and remove the oil pump.

21 Grip the oil pick-up pipe and twist or rock it from its hole in the crankcase. It is an interference fit in the hole.

22 Remove the piston/connecting rods as described in Section 32.

23 Before unbolting the main bearing caps, note that they are marked with one, two, three or four notches. No. 5 main bearing cap is unmarked. Note that the notches are nearer the auxiliary shaft side.

24 Unbolt and remove the main bearing caps. If the bearing shells are to be used again, tape them to their respective caps. The bearing shell at the centre position is plain, the others have a lubricating groove.

25 Carefully, lift the crankshaft from the crankcase, noting the thrust washers at No. 5 main bearing. These control the crankshaft endfloat.

39 Cylinder head - dismantling and decarbonising



1 The operations are similar to those described for the ohv engine in Section 17 in respect of decarbonising and valve grinding.

2 To remove a valve, use a valve spring compressor to compress the first valve and then extract the split collets (photo).

3 Release the valve spring compressor.

4 Withdraw the valve spring cap and the double valve springs (photos).

5 Remove the valve (photo).



39.2 Valve spring compressor and split collets



39.4A Valve spring cap



39.4B Double valve springs



39.5 Removing a valve



39.6 Valve spring seat

- 6 Remove the spring seat (photo).
- 7 Discard the valve stem oil seal and fit a new one (photo).
- 8 Remove the remaining valves in a similar way and keep the components in their originally fitted sequence.
- 9 Reassembly is a reversal of removal. Refit the components to their original positions, but renew the valve springs if their free length is less than that of a new spring or if the springs have been in operation for more than 80 000 km (50 000 miles).
- 10 The original valve clearance adjusting shims will no longer provide the correct clearances if the valves have been ground in or the seats recut. Only where dismantling of a valve was carried out to renew a spring is there any purpose in returning the shims to their original locations. Try to obtain the loan of eight thin shims from your dealer and insert them into the tappets (cam followers) before assembling the cam followers to the carrier, where they should be retained with thick grease (photo).
- 11 Fit the camshaft carrier, complete with cam followers and shims to the cylinder head.
- 12 Adjust the valve clearances as described in Section 26.



39.7 Valve stem oil seal



39.10 Cam followers fitted to camshaft carrier

- 6 Take out the driveshaft and the gears.
- 7 Clean and examine all the parts. Measure the clearances against the Specifications. The end clearance is measured by putting a straight-edge across the cover face.
- 8 The oil pump should only need replacements after very long mileage, when the rest of the engine is showing great signs of wear.
- 9 The length of a new gear can be measured against the old gear to see if a new gear will restore the end clearance to the Specifications. Otherwise the housing must be changed.
- 10 The driven gear shaft is mounted in the housing with an interference fit. If there is any slackness, a new housing (which will come with shaft fitted) must be used.
- 11 The oil pump shares its drive with the distributor.

Camshaft, cam followers and shims

- 12 The camshaft journals and cams should be smooth, without grooves or scores.
- 13 Wear in the camshaft carrier bearings can only be rectified by renewal of the carrier.
- 14 Cam follower wear is usually very small and when they show slackness in their bores, it is probably the light alloy of the camshaft carrier which has worn.
- 15 Always measure the thickness of the valve clearance shims using a metric micrometer. Any grooving or wear marks in the shims should be rectified by renewal with ones of similar thickness.

Auxiliary shaft

- 16 The shaft journals, the fuel pump eccentric, and the drivegear for the distributor and oil pump should be smooth and shiny. If not, the shaft will have to be renewed.
- 17 The bushes should still be tight in the cylinder block, their oil holes lined up with those in the block.
- 18 Measure the bearing clearance. If excessive, the bushes will have to be renewed. They are a press fit, and require reaming with a special reamer after fitting. This is a job best done by a Fiat agent with the special tools.
- 19 Ensure the new bushes are fitted with the oil holes lined up.
- 20 Also check the driven gear and its bush.
- 21 It is recommended a new oil seal is fitted in the endplate. Hold the shaft in a vice, and remove the pulley. Fit the new oil seal in the endplate, lips inwards.

Timing belt tensioner

- 22 Check the bearing revolves smoothly and freely, and has no play. Do not immerse it in cleaning fluid, as it is partially sealed. Wipe the outside, and then smear in some new general purpose grease.
- 23 The action of the spring will have been felt when the belt was taken off. It should be cleaned, and oiled, to prevent seizure through dirt and rust.
- 24 Note the circlip on the engine right-hand mounting bracket. This retains the timing belt tensioner plunger.

40 Examination and renovation



- 1 The procedures are similar to those described in Section 18 covering the following:

*Cylinder block and crankcase
Crankshaft and bearings
Pistons and piston rings
Flywheel*

- 2 The following additional items must also be examined.

Oil pump

- 3 Carefully, clamp the pump housing in a vice, shaft downwards.
- 4 Take off the pump cover, with the suction pipe. This will release the oil pressure relief valve inside. Also inside is a filter.
- 5 Remove the internal cover plate.



42.1 Main bearing shells



42.2 Crankshaft thrust washers



42.3 Lowering crankshaft into position

41 Engine - reassembly (general)

Refer to Section 19, Part 2.

42 Engine - complete reassembly



Crankshaft and main bearings

1 Fit the bearing shells to their crankcase seats and to their caps. The seatings and backs of the shells must be spotlessly clean, otherwise tight spots will occur when the crankshaft is fitted. The centre bearing shell is plain (photo).

2 Fit the thrust washer halves to their locations at No. 5 bearing, noting that the oil grooves in the washers face outwards (photo).
3 Oil the surfaces of the bearing shells liberally and lower the crankshaft into position (photo).

4 Fit the main bearing caps to their correct locations, the correct way round (numerical chisel marks towards the auxiliary shaft). The rear cap is unmarked. Tighten the cap bolts to the specified torque (photos).

5 Check that the crankshaft rotates smoothly and freely.

6 At this stage, the crankshaft endfloat should be checked. Prise the crankshaft fully in one direction and measure the gap between the machined face of the flywheel mounting flange and the crankcase. Now push the shaft in the opposite direction and measure again. Ideally, a dial gauge should be used for these measurements, but feeler

blades will serve as a reasonable alternative. The difference between the two dimensions (feeler blades) or the total movement of the crankshaft (dial gauge) should be within the specified tolerance. If it is not, the thrust washers at No. 5 main bearing will have to be changed for thicker ones; this will require taking out the crankshaft again to reach them.
7 Fit new oil seals to the retainers and, using new gaskets, bolt the retainers to the front and rear ends of the crankshaft, having first filled the oil seal lips with grease (photos).

Pistons/connecting rods

8 The refitting operations are described in Section 32.

Auxiliary shaft

9 Lubricate the auxiliary shaft bearings and fit the shaft into the crankcase (photo).

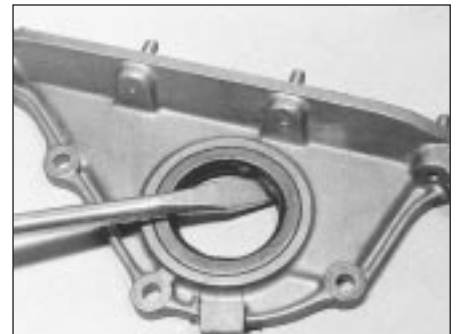
10 Fit a new seal to the endplate and fit the



42.4A Number one main bearing cap



42.4B Tightening a main bearing cap bolt



42.7A Removing oil seal from carrier



42.7B Front oil seal carrier



42.7C Rear oil seal carrier



42.9 Fitting the auxiliary shaft



42.10A Auxiliary shaft end plate and gasket



42.10B Tightening auxiliary shaft end plate bolt



42.11 Tightening camshaft sprocket bolt. Note sprocket locking device

plate to the crankcase, using a new gasket (photos).

11 Fit the belt sprocket and partially tighten its bolt. Then, using an oil filter strap wrench or similar device to hold the sprocket against rotation, tighten the bolt to the specified torque. Take care not to damage the teeth of the sprocket, which is of fibre construction (photo).

Oil sump, sump pan and breather

12 Fit the oil drain pipe by tapping it into place, squarely in its hole in the crankcase. Tighten its retaining bolt (photo).

13 Bolt up the oil pump, using a new gasket at its mounting flange (photo).

14 Fit the sump (using a new gasket) and tighten the securing screws to the specified torque. Note the reinforcement washers (photo).

15 Insert the oil pump/driveshaft into the distributor hole. This does not have to be specially positioned as the distributor is splined to the shaft and can be set by moving its location in the splines (refer to Chapter 4) (photo).

16 Push the breather into its crankcase recess and tighten its securing bolt (photos).

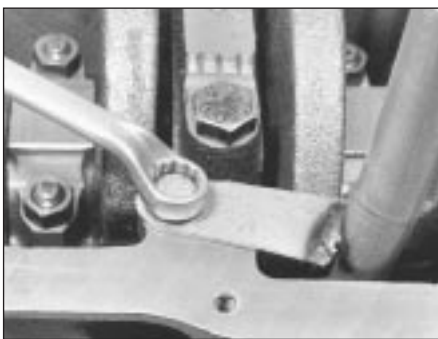
Flywheel, crankshaft sprocket and pulley

17 Make sure that the flywheel-to-crankshaft mounting flange surfaces are clean. Although

the bolt holes have unequal distances between them, it is possible to fit the flywheel in one of two alternative positions at 180° difference. Therefore if the original flywheel is being refitted, align the marks made before removal.

18 If a new flywheel is being fitted, or if alignment marks were not made before dismantling, set No. 1 position at TDC (crankshaft front Woodruff key pointing vertically). Fit the flywheel to its mounting flange so that its timing dimple is uppermost and in alignment with the relative position of the TDC mark on the flywheel housing inspection window.

19 Insert the bolts and tighten them to the specified torque, jamming the ring gear to



42.12 Tightening oil drain pipe bolt



42.13 Locating oil pump and gasket



42.14 Tightening sump pan bolt



42.15 Fitting oil pump driveshaft



42.16A Crankcase breather seal



42.16B Crankcase breather and retaining bolt



42.19 Tightening flywheel bolts



42.20 Fitting crankshaft timing belt sprocket



42.21 Crankshaft pulley and nut

prevent the flywheel turning. Fit the engine endplate (photo).

20 Fit the timing belt sprocket to the front end of the crankshaft (photo).

21 Fit the crankshaft pulley and the nut; tighten it to the specified torque, again jamming the starter ring gear to prevent the crankshaft from rotating (photo).

Cylinder head

22 Refitting is described in Section 29.

Camshaft carrier and camshaft

23 Refitting is described in Section 27.

Timing belt and tensioner

24 Refitting is described in Section 28, but make sure that the belt cover rear plate is bolted into position. If the engine mounting bracket was removed, bolt it into position

complete with the tensioner plunger to provide spring pressure to the belt pulley (photos).

Valve clearances

25 Check the valve clearances as described in Section 26.

26 Using new gaskets, bolt on the camshaft carrier cover plate and the inlet and exhaust manifolds using new gaskets. Fit the exhaust manifold hot air collector plate (photo).

27 Locate the engine rear plate on its dowels by sliding it behind the flywheel (photo).

2 Fit the coolant pump and thermostat housing (Chapter 2).

3 Fit the alternator and tension the drivebelt (Chapters 9 and 2).

4 Fit the distributor (Chapter 4).

5 Fit the fuel pump (Chapter 3).

6 Fit the clutch (Chapter 5).

7 Fit a new oil filter cartridge (Section 2 of this Chapter).

43 Engine ancillaries - refitting

1 Bolt on the carburettor (Chapter 3).

44 Engine/transmission - reconnection and refitting



1 Offer the transmission to the engine making sure that the clutch has been centralised as described in Chapter 5 (photo).



42.24A Belt cover rear plate



42.24B Belt cover mounting stud



42.24C Engine mounting bracket with belt tensioner plunger (arrowed)



42.26 Tightening a camshaft carrier cover nut



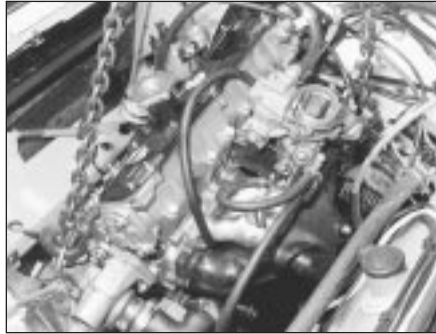
42.27 Engine rear plate nut



44.1 Offering transmission to engine



44.2 Lifting lug at bellhousing bolt



44.8A Raising engine/transmission into engine compartment



44.8B Left-hand engine mounting

2 Draw the engine and transmission together by screwing in the connecting bolts. Refit lifting lugs and hose and wiring clips (photo).

3 Bolt the lower cover plate to the face of the flywheel housing.

4 Bolt the starter motor into position.

5 Bolt the mounting brackets into place.

6 Place the engine/transmission on the floor ready for raising by hoist or jack into the engine compartment.

7 Raise the car and position it over the engine/transmission.

8 Hoist or jack the power unit upwards until the left and right-hand mountings can be connected (photos).

9 Remove the lifting mechanism and connect the bottom mounting (photos).

10 Connect the inboard ends of the driveshafts with the transmission and the outboard ends with the hub carriers.

11 Reconnect the hub carriers with the clamps at the base of the suspension struts. Tighten the fixing bolts to the specified torque.

12 Bolt the brake flexible hose support clips to the suspension struts.

13 Reconnect the tie-rod end balljoints tightening the nuts to the specified torque.

14 Reconnect the gearchange rods. The easiest way to do this is to force the sockets onto the ball studs using a pair of self-locking grips (photo).

15 Refit the exhaust system and reconnect the downpipe to the manifold (photo).

16 Screw on the driveshaft nuts and tighten them to the specified torque. Have an assistant apply the brake pedal hard to prevent the driveshaft from turning.

17 Refit the front roadwheels and lower the car to the floor.

18 Reconnect the carburettor fuel and coolant hoses.

19 Unplug the fuel hose and connect it to the pump.

20 Reconnect the choke and throttle controls to the carburettor.

21 Reconnect the coolant and heater hoses



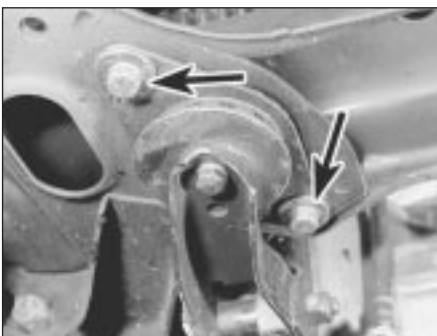
44.8C Right-hand engine mounting brackets



44.8D Right-hand mounting bolted up



44.9A Engine/transmission lower mounting



44.9B Lower mounting attachment bolts



44.14 Connecting a gearchange rod ball cup



44.15 Exhaust downpipe flange nuts



44.21A Heater hose at manifold



44.21B Brake servo hose at manifold



44.22A Reversing lamp switch on transmission

to the engine. Also reconnect the brake servo hose to the intake manifold (photos).

22 Reconnect the leads to the reversing lamp switch. Reconnect the transmission earth lead (photos).

23 Reconnect the clutch cable and adjust as described in Chapter 5.

24 Reconnect the speedometer drive cable to the transmission and tighten the knurled retaining ring.

25 Reconnect the low tension lead to the distributor and the high tension lead to the ignition coil.

26 Reconnect the electrical leads to the

starter motor, the oil pressure and temperature switches and the coolant temperature switch.

27 Connect the leads to the alternator.

28 Refit the air cleaner.

29 Refill the cooling system. Refill the engine with oil.

30 Reconnect the battery.

31 Refit the bonnet and connect the windscreen washer tube.

32 Fit the inner wing protective shields (photo).

had time to fill the new oil filter, switch off and recheck.

5 If the warning lights go out, set the engine to run on fast idle and check the engine for leaks.

6 Check the coolant level; it will probably go down as air locks are filled.

7 Keep the engine running at a fast idle and bring it up to normal working temperature. As the engine warms up, there will be some odd smells and smoke from parts getting hot and burning off oil deposits.

8 When the engine running temperature has been reached, adjust the idling speed, as described in Chapter 3. Check and, if necessary, adjust the ignition timing using a stroboscope (see Chapter 4).

9 Stop the engine and wait a few minutes; check to see if there are any coolant or oil leaks.

10 Road test the car to check that the engine is running with the correct smoothness and power. If it does not, refer to "Fault finding" in the Reference section of this Manual. Do not race the engine. If new bearings and/or pistons and rings have been fitted, it should be treated as a new engine and run it at reduced speed for at least 800 km (500 miles).

11 After 800 km (500 miles) change the engine oil and filter.

45 Engine - initial start-up after major overhaul



1 If new bearings and rings have been fitted, it is likely that the engine will be stiff to turn so make sure the battery is well charged.

2 Switch on the ignition and check that appropriate warning lights come on.

3 Start up the engine. If it refuses to start, refer to the "Fault Finding" Section in the Reference section of this Manual.

4 Watch the oil pressure warning light and alternator charging indicator light. If there is no charge or if the oil pressure warning light does not go out after a second or two, having



44.22B Transmission earth lead



44.26A Oil pressure warning switch



44.26B Coolant temperature switch



44.32 Inner wing protective shield

Fault finding - all engines

Note: When investigating starting and uneven running faults, do not be tempted into snap diagnosis. Start from the beginning of the check procedure and follow it through. It will take less time in the long run. Poor performance from an engine in terms of power and economy is not normally diagnosed quickly. In any event, the ignition and fuel systems must be checked first before assuming any further investigation needs to be made.

Engine fails to turn when starter operated

- Battery discharged
- Battery terminals loose or corroded
- Battery earth to body defective
- Engine/transmission earth strap broken or loose
- Disconnected or broken wire in starter circuit
- Ignition/starter switch defective
- Starter motor or solenoid defective (see Chapter 9)
- Major mechanical failure (seizure) or long disuse (piston rings rusted to bores)

Engine turns and fails to start

- Battery discharged
- Battery terminals loose or corroded
- Battery or engine earth strap loose
- Starter motor connections loose
- Oil in engine/transmission too thick
- Starter motor defective
- Vapour lock in fuel line (in hot conditions or at high altitude)
- Blocked float chamber needle valve
- Fuel pump filter blocked
- Choked or blocked carburettor jets
- Faulty fuel pump
- Fuel tank empty
- Other fuel system fault (see Chapter 3)
- Shorted or disconnected low tension leads
- Dirty, incorrectly set, or pitted contact breaker points
- Contact breaker point spring earthed or broken
- Faulty condenser
- Defective ignition switch
- Faulty coil
- Damp or dirty HT leads, distributor cap or plug bodies
- Broken, loose or disconnected LT leads
- Ignition leads connected wrong way round
- Other ignition fault (see Chapter 4)
- Valve timing incorrect (after rebuild)

Engine fires but will not run

- Insufficient choke (cold engine)
- Fuel starvation or tank empty
- Ignition fault (see Chapter 4)
- Other fuel system fault (see Chapter 3)

Engine stalls and will not restart

- Too much choke allowing too rich a mixture to wet plugs
- Float damaged or leaking or needle not seating
- Float lever incorrectly adjusted
- Ignition failure - sudden
- Ignition failure - misfiring precedes total stoppage
- Ignition failure - in severe rain or after traversing water splash
- No petrol in petrol tank
- Petrol tank breather choked
- Sudden obstruction in carburettor
- Water in fuel system

Engine slow to warm up

- Choke linkage maladjusted
- Air cleaner temperature control unit defective
- Thermostat stuck open (see Chapter 2)
- Other fuel system fault (see Chapter 3)

Difficult starting when cold

- Insufficient choke
- Fouled or incorrectly gapped spark plugs
- Damp or dirty HT leads, distributor cap or spark plug bodies
- Dirty or maladjusted contact breaker points
- Other ignition fault or timing maladjustment (see Chapter 4)
- Fuel system or emission control fault (see Chapter 3)
- Poor compression (may be due to incorrect valve clearances, burnt or sticking valves, blown head gasket, worn or damaged pistons, rings or bores)
- Incorrect valve timing (after rebuild)

Difficult starting when hot

- Incorrect use of manual choke
- Fuel line vapour lock (especially in hot weather or at high altitudes)
- Incorrect ignition timing
- Other fuel system or emission control fault (see Chapter 3)
- Poor compression (see above)

Engine lacks power

- Ignition timing incorrect
- Contact breaker points incorrectly gapped
- Incorrectly set spark plugs
- Dirty contact breaker points
- Distributor automatic advance and retard mechanisms not functioning correctly
- Other ignition system fault (see Chapter 4)
- Air cleaner choked
- Carburation too rich or too weak
- Fuel filter blocked
- Air filter blocked
- Faulty fuel pump giving top and fuel starvation
- Other fuel system fault (see Chapter 3)
- Poor compression
- Valve clearances incorrect
- Carbon build-up in cylinder head
- Sticking or leaking valves
- Weak or broken valve springs
- Worn valve guides or stems
- Worn pistons and piston rings
- Burnt out valves
- Blown cylinder head gasket (accompanied by increase in noise)
- Worn pistons and piston rings
- Worn or scored cylinder bore
- Brakes binding

Engine misfires throughout speed range

- Defective or fouled spark plug
- Loose, cracked or defective HT lead
- Maladjusted, sticking or burnt valves
- Ignition timing incorrect
- Blown head gasket
- Fuel contaminated
- Other ignition fault (see Chapter 4)
- Other fuel system fault (see Chapter 3)

Poor engine braking

- High idle speed
- Other fuel system fault (see Chapter 3)
- Low compression

Engine idles roughly

- Mixture too weak
- Air leak in carburettor
- Air leak at inlet manifold to cylinder head, or inlet manifold to carburettor
- Carburettor incorrectly adjusted
- Other fuel system fault (see Chapter 3)
- Low tension leads on coil loose
- Low tension lead to distributor loose
- Dirty, incorrectly set, or pitted contact breaker points
- Tracking across inside of distributor cover
- Faulty coil
- Ignition leads loose
- Spark plugs fouled or incorrectly gapped.
- Ignition timing incorrect
- Other ignition fault (see Chapter 4)
- Incorrect valve clearances
- Widely differing cylinder compressions
- Low battery voltage (charging fault)
- Battery leads loose on terminals
- Battery earth strap loose on body attachment point
- Engine earth lead loose

Pre-ignition (pinking) during acceleration

- Incorrect grade of fuel being used
- Ignition timing over-advanced
- Other ignition fault (see Chapter 4)
- Engine overheated
- Excessive carbon build-up
- Fuel system fault (see Chapter 3)
- Valve timing incorrect (after rebuild)
- Mixture too weak

Engine runs on after switching off

- Idle speed too high
- Incorrect type of spark plug
- Overheating
- Excessive carbon build-up
- Other emission control fault (see Chapter 3)

Oil being lost due to leaks

- Leaking oil filter gasket
- Leaking rocker cover gasket
- Leaking timing gear cover gasket
- Leaking sump gasket
- Loose sump plug

Low oil pressure (verify accuracy of sender before dismantling engine!)

- Oil level low
- Engine overheating
- Incorrect grade of oil in use
- Oil filter clogged or bypass valve stuck
- Pressure relief valve stuck or defective
- Oil pick-up strainer clogged or loose
- Main or big-end bearings worn
- Oil pump worn or mountings loose

Excessive oil consumption

- Overfilling
- Leaking gaskets or drain plug washer
- Valve stem oil seals worn, damaged or missing after rebuild
- Valve stems and/or guides worn
- Piston rings and/or bores worn
- Piston oil return holes clogged

Oil contaminated with water

- Excessive cold running
- Leaking head gasket
- Cracked block or head

Oil contaminated with fuel

- Excessive use of choke
- Worn piston rings and/or bores

Unusual mechanical noises

- Unintentional mechanical contact (eg fan blade)
- Worn drivebelt
- Worn valvegear (tapping noises from top of engine) or incorrect clearance
- Peripheral component fault (generator, coolant pump)
- Worn big-end bearings (regular heavy knocking, perhaps less under load)
- Worn main bearings (rumbling and knocking, perhaps worsening under load)
- Small-end bushes or gudgeon pins worn (light metallic tapping)
- Piston slap (most noticeable when engine cold)
- Worn timing chain and gears (rattling from front of engine)
- Worn crankshaft (knocking, rumbling and vibration)






Chapter 2 Cooling and heating systems

For modifications, and information applicable to later models, see Supplement at end of manual

Contents

Coolant mixtures	3	Heater - dismantling, overhaul and reassembly	13
Coolant pump - removal, overhaul and refitting	9	Heater unit - removal and refitting	12
Cooling system - draining, flushing and refilling	2	Heating and ventilation system - description	11
Cooling system sensors	10	Radiator - removal and refitting	7
Description and maintenance	1	Radiator fan thermostatic switch - removal, checking and refitting	5
Drivebelt - tensioning and renewal	8	Radiator fan - removal and refitting	6
Fault finding - cooling and heating	See end of Chapter	Thermostat - removal, testing and refitting	4

Degrees of difficulty

Easy , suitable for novice with little experience 	Fairly easy , suitable for beginner with some experience 	Fairly difficult , suitable for competent DIY mechanic 	Difficult , suitable for experienced DIY mechanic 	Very difficult , suitable for expert DIY or professional 
---	--	--	---	--

Specifications

System type	"No loss" with radiator and integral expansion tank. Electric cooling fan, belt-driven coolant pump, thermostat on cylinder head	
General		
Radiator fan cuts in	90 to 94°C (194 to 201°F)	
Radiator fan switches off	85 to 89°C (185 to 192°F)	
Thermostat opens:		
903 cc engine	85 to 89°C (185 to 192°F)	
1116 cc and 1301 cc engines	83 to 87°C (181 to 188.6°F)	
Fully open:		
903 cc	100°C (212°F)	
1116 cc and 1301 cc	95°C (203°F)	
Expansion tank pressure cap rating	0.78 bar (11 lbf/in ²)	
Coolant		
Capacity:		
903 cc	4.6 litre (8.1 pint)	
1116 cc	6.0 litre (10.6 pint)	
1301 cc	6.2 litre (10.9 pint)	
Type	Ethylene glycol based antifreeze	
Torque wrench settings	Nm	lbf ft
Temperature sender switch	49	36
Coolant pump mounting bolts	34	25
Alternator adjuster and mountings nuts	49	36

1 Description and maintenance



1 The cooling system consists of a front-mounted radiator with built-in expansion tank, a coolant pump (belt-driven from the crankshaft pulley) and a thermostatically-controlled electric cooling fan.

2 In order to assist rapid warm-up, a

thermostat is located in a housing at the left-hand end of the cylinder head. The hose connections to the thermostat housing vary according to model.

3 The heater is supplied with coolant from the engine and incorporates a matrix and blower with the necessary controls.

4 The throttle valve plate block of the carburettor is coolant-heated as a means of improving fuel atomisation.

5 Maintenance is minimal as in theory no coolant should ever be lost from the

expansion tank. Regularly check that the coolant level is between 50.0 and 70.0 mm (1.97 and 2.8 in) above the MIN mark on the tank with the engine cold. The need for regular topping up will indicate a leak somewhere in the system. If one cannot be found suspect an internal leak in the engine although this is usually confirmed by a rise in the engine oil level and water on the dipstick (photo). Any topping-up should be done using an antifreeze mixture (see Section 3), not plain water.

2•2 Cooling and heating systems

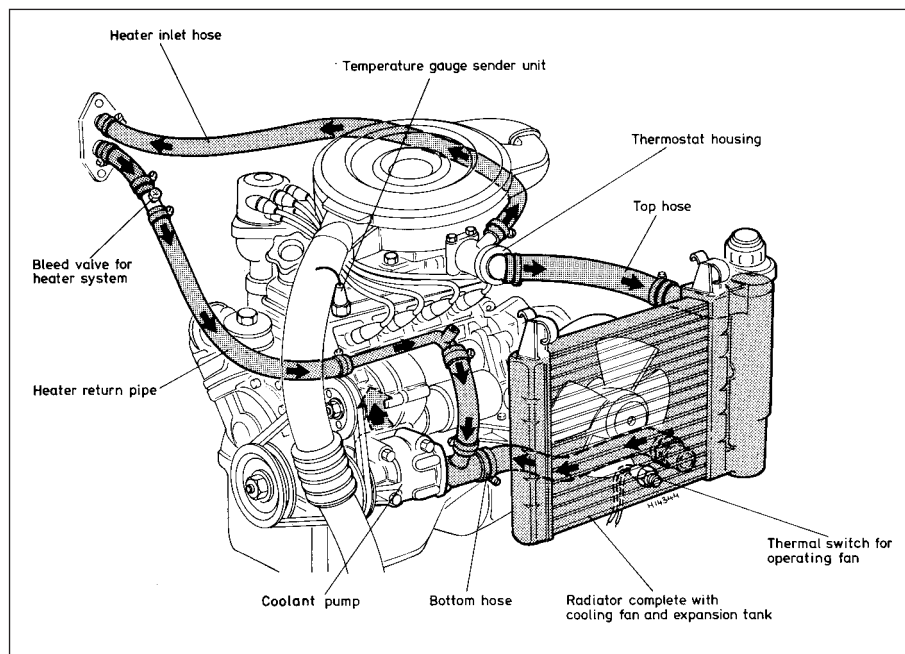


Fig. 2.1 Cooling system on 903 cc engine (Sec 1)

6 Avoid unscrewing the expansion tank cap when the engine is hot, but if this must be done, cover the cap with a cloth to avoid scalding by escaping steam.

7 Periodically, check the condition of all coolant hoses and tighten the clips.

2 Cooling system - draining, flushing and refilling



1 Set the heater temperature lever to maximum.

2 Unscrew the cap from the expansion tank.

3 Disconnect the radiator bottom hose and unscrew the cylinder block drain plug (1116 cc and 1301 cc engines) and allow the coolant to drain. Refer to photo 29.21B, page 64.

4 If the system is in good condition with no sign of rust or dirt in the drained coolant, then it may be refilled immediately. If the system has been neglected and the antifreeze has not

been regularly renewed and there is evidence of rust and sediment in the drained liquid then flush the system through with a cold water hose.

5 If the radiator should appear to be clogged, it may be necessary to remove it (Section 7) invert it and reverse flush it using a cold water hose. If, after a reasonable period the water still does not run clear, the radiator should be flushed with a good proprietary cleaning system. Extensive damage should be repaired by a specialist or the unit exchanged for a new or reconditioned radiator.

6 Reconnect the bottom hose and screw in the drain plug.

7 Remove the plug (B) (Fig. 2.2) from the bleed hole in the heater hose.

8 Remove the plug (D) (Fig. 2.3) from the bleed hole in the expansion tank.

9 Pour antifreeze mixture slowly into the filler neck of the expansion tank until it is seen to come out of the expansion tank plug hole. Screw in the plug.

10 Add further coolant until it is seen to



1.5 Expansion tank cap

dribble out of the hole in the heater hose. Screw in the plug.

11 Top up the expansion tank to the specified level and screw on the tank cap.

12 Start the engine and run it until the cooling fan cuts in. Switch off, allow to cool and top up if necessary to the specified mark on the expansion tank.

3 Coolant mixtures

1 In cold climates, antifreeze is needed for two reasons. In extreme cases, if the coolant in the engine freezes solid it could crack the cylinder block or head. But also in cold weather, with the circulation restricted by the thermostat, and any warm water that is getting to the radiator being at the top, the bottom of the radiator could freeze, and so block circulation completely, making the coolant trapped in the engine boil.

2 The antifreeze should be mixed in the proportions advocated by the makers, according to the climate. There are two levels of protection. The first cuts risk of damage, as the antifreeze goes mushy before freezing. The second, valid all year round, is the corrosion protection it offers - see below. The normal proportion in a temperate climate to provide maximum protection against freezing and corrosion is 50% antifreeze and 50% water.

3 Use only ethylene glycol based antifreeze and preferably soft water.

4 Antifreeze should be left in through the summer. It has an important secondary function, to act as an inhibitor against corrosion. In the cooling system are many different metals, in particular the aluminium of the cylinder head. In contact with the coolant this sets up electrolytic corrosion, accentuated by any dirt in the system. This corrosion can be catastrophically fast.

5 After about two years, the effectiveness of the antifreeze's inhibitor is used up. It must then be discarded, and the system refilled with new coolant.

6 In warm climates free from frost, an

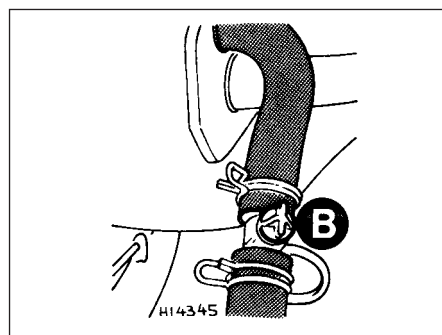


Fig. 2.2 Plug (B) in heater hose (Sec 2)

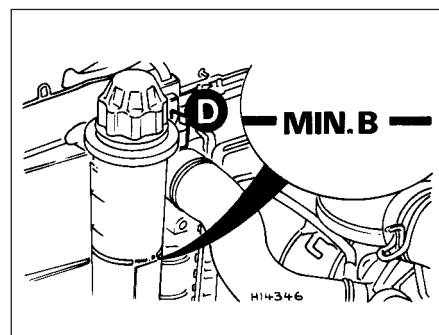


Fig. 2.3 Plug (D) in expansion tank (Sec 2)



4.2 Thermostat housing

4.4 Fitting thermostat housing
(1116 cc engine)

7.3A Radiator top hose

inhibitor should be used. Again, a reputable make giving full protection must be chosen and renewed every two years. Inhibitors with dyes are useful for finding leaks, and on some makes the dye shows when the inhibiting ability is finished.

4 Thermostat - removal, testing and refitting



1 The thermostat assembly is mounted on the flywheel end of the cylinder block.

2 Unfortunately, the thermostat/housing is a complete unit and failure of the thermostat will necessitate the purchase of the complete component (photo).

3 If the thermostat/housing is removed from the engine, it can be suspended in water and the water heated to check out its opening temperature. Movement of the thermostat valve can be observed to some extent through the openings in the housing.

4 When refitting, always use a new gasket at its mounting face (photo).

5 Radiator fan thermostatic switch - removal, checking and refitting



1 Drain the cooling system.

2 If the thermostatic switch is being removed because the fan is not operating and the switch is suspect, check the fan fuse first, before removing the switch.

3 To remove the switch, disconnect the leads from the terminals and unscrew the switch.

4 Connect a test bulb and battery across the switch terminals and then immerse the sensing part of the switch in a container of water. Heat the water and, using a thermometer, check the temperature of the water when the bulb lights up, indicating the switch is functioning. The switch should operate at approximately 194°F (90°C). Allow the water to cool and check that the switch cuts out at 185°F (85°C). Renew a faulty switch.

5 Refitting of the switch is the reverse of the removal procedure. Always fit a new O-ring on the switch.

6 Radiator fan - removal and refitting



1 Disconnect the electrical leads from the radiator fan motor.

2 Unbolt the fan mounting struts from the radiator and lift the complete assembly away.

3 Refitting is a reversal of removal.

7 Radiator - removal and refitting



1 Drain the cooling system.

2 Disconnect the electrical leads from the radiator fan motor and thermostatic switch.

3 Disconnect the coolant hoses from the radiator (photos).

4 Release the clips from the top of the radiator and withdraw the radiator complete with fan from the engine compartment (photos).

5 The radiator is of combined plastic/metal construction and any repair should be left to specialists. In an emergency however, minor leaks from the radiator may be cured by using a radiator sealant with the radiator *in situ*.

6 Refitting is a reversal of removal. Fill the cooling system as described in Section 2.

8 Drivebelt - tensioning and renewal



1 The drivebelt for the alternator and coolant pump is correctly tensioned if it deflects through 10.0 mm (0.39 in) under moderate thumb pressure at the mid point of the longest run of the belt.

2 To tighten the belt, release the mounting and adjuster nuts on the alternator and prise the alternator away from the engine. Tighten the nuts when the belt is taut and then re-check the tension as previously described. Never over-tension a belt or the coolant pump or alternator bearings may be damaged.

3 Check the condition of the belt at regular intervals. If frayed or cracked, renew it in the following way.

4 Release the alternator mounting and adjuster nuts and push the alternator fully in



7.3B Radiator hose to thermostat housing



7.4A Radiator fixing clip



7.4B Removing radiator/fan assembly



9.4 Coolant distribution tube at rear of pump

towards the engine. Slip the belt off the pulleys. If this is difficult, turn the crankshaft pulley using a spanner on its retaining nut while pressing the belt over the edge of the pulley rim. Use this method to fit the new belt after first having engaged it with the coolant pump and alternator pulley grooves. Tension the belt as previously described. The tension of a new belt should be checked and adjusted after the first few hundred miles of running.

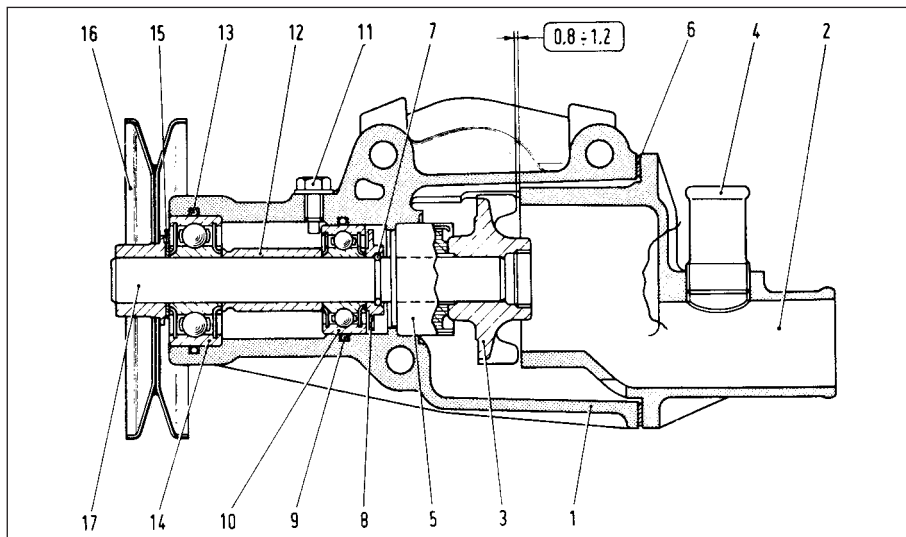


Fig. 2.4 Sectional view of 903 cc engine coolant pump (Sec 9)

- | | | |
|--|---|------------------|
| 1 Pump body | 7 Circlip | 12 Spacer |
| 2 Pump cover | 8 Bearing shoulder washer | 13 Outer seal |
| 3 Impeller | 9 Inner seal | 14 Outer bearing |
| 4 Connector for hose from outlet to pump | 10 Inner bearing | 15 Lock washer |
| 5 Seal | 11 Bearing retainment screw and lock washer | 16 Pulley |
| 6 Gasket | | 17 Pump shaft |

9 Coolant pump - removal, overhaul and refitting



Note: The design of the pump differs between the 903 cc and the other two engines, but the removal, overhaul and refitting operations are essentially similar.

- 1 To gain access to the coolant pump, open the bonnet and remove the air cleaner.
- 2 Slacken the alternator pivot and adjustment nuts, push the alternator in towards the engine and slip the drivebelt from the coolant pump pulley. Unplug and remove the alternator.

- 3 Drain the cooling system as previously described.
- 4 Disconnect the hoses from the coolant pump, also the metal coolant transfer pipe (photo).
- 5 Unscrew and remove the coolant pump securing bolts, and lift the pump from the engine. Peel away and discard the old gasket.
- 6 Clean away external dirt.
- 7 The pump is likely to need overhaul for worn or noisy bearings, or if the gland is leaking. There is a drain hole between the gland and the bearings to prevent contamination of the bearing grease by leaks, and possible damage to the bearings. Gland

leaks are usually worse when the engine is not running. Once started, a leak is likely to get worse quickly, so should be dealt with soon. Worn bearings are likely to be noted first due to noise. To check them, the pulley should be rocked firmly, when any free movement can be felt despite the belt. But if the bearings are noisy, yet there is not apparently any free play, then the belt should be removed so the pump can be rotated by hand to check the smoothness of the bearings. Dismantling and assembly of the pump requires the use of a press, and it is preferable to fit a new pump.

- 9 For those having the necessary facilities, overhaul can be carried out as follows.
- 10 Remove the retaining nuts and separate the two halves of the pump.
- 11 The pump shaft is an interference fit in the impeller, bearings, and pulley boss. How the pump is dismantled depends on whether only the gland needs renewing or the bearings as well, and what puller or press is available to get everything apart.
- 12 Assuming complete dismantling is required, proceed as follows. Supporting it close in at the boss, press the shaft out of the pulley. Pull the impeller off the other end of the shaft.
- 13 Take out the bearing stop screw.
- 14 From the impeller end, press the shaft with the bearings out of the cover half of the housing.
- 15 Press the shaft out of the bearings, take off the spacer, the circlip, and the shouldered ring.
- 16 Do not immerse the bearings in cleaning

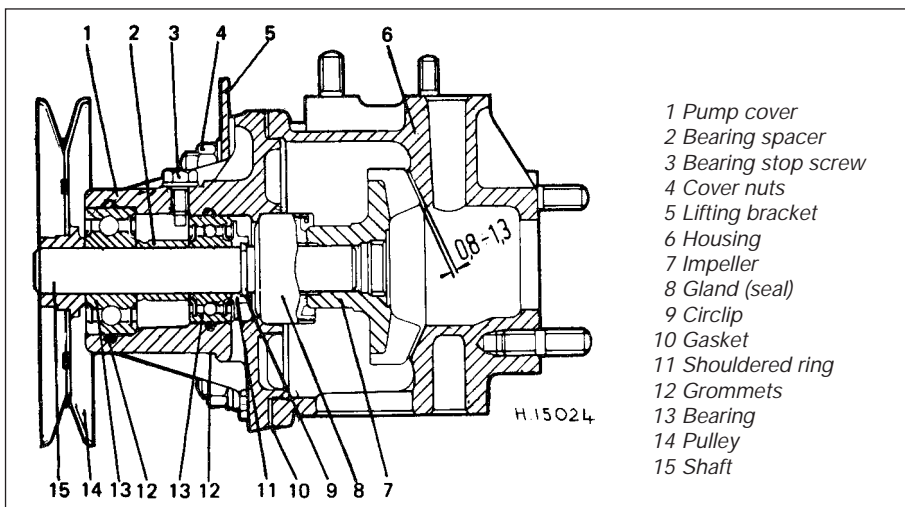


Fig. 2.5 Sectional views of 1116 cc and 1301 cc engine coolant pump (Sec 9)

- | |
|----------------------|
| 1 Pump cover |
| 2 Bearing spacer |
| 3 Bearing stop screw |
| 4 Cover nuts |
| 5 Lifting bracket |
| 6 Housing |
| 7 Impeller |
| 8 Gland (seal) |
| 9 Circlip |
| 10 Gasket |
| 11 Shouldered ring |
| 12 Grommets |
| 13 Bearing |
| 14 Pulley |
| 15 Shaft |



9.21 Fitting coolant pump (1116 cc engine)

fluid. They are "sealed". Liquid will get in, but a thorough clean will be impracticable, and it will be impossible to get new grease in.

17 Check all the parts, get a new gland, two new grommets, (1116 cc and 1301 cc) and a new gasket. Scrape all deposits out of the housing and off the impeller.

18 To reassemble, start by inserting the new grommets (1116 cc and 1301 cc) in the grooves by each bearing. Fit the circlip to the shaft, then the shouldered ring, bearings and spacer. Fit the shaft and bearing assembly into the cover. Fit the stop screw. Press on the pulley.

19 Fit the new gland (seal), seating it in its location in the cover. Press the impeller onto the shaft. The impeller must be put on part way, and then the housing held in place to see how far the impeller must go down the shaft to give the correct clearance, which is 0.8 to 1.3 mm (0.03 to 0.05 in) as shown in Figs. 2.4 and 2.5.

20 The impeller clearance can be checked through the coolant passage in the side of the pump.

21 Refitting is a reversal of the removal process, but use a new flange gasket and tension the drivebelt as described in Section 8 (photo).

22 Refill the cooling system.

10 Cooling system sensors

1 A coolant temperature sender switch is located in the cylinder head (above No. 1 spark plug) on 903 cc engines and adjacent to No. 2 spark plug on 1116 cc and 1301 cc engines.

2 The switch operates the coolant temperature gauge and an excessive temperature warning lamp.

3 On some models, a level sensor is screwed into the side of the expansion tank. This sensor consists of a pair of reed switches within a capsule which are kept closed by the strong magnetic flux generated by the hydrostatic force inspired by the action of the coolant against the float.

4 If the coolant level drops then the magnetic



Fig. 2.6 Checking impeller clearance (Sec 9)

flux is weakened and the switches open.

5 In the event of a fault developing, before assuming that the cause is the sensor, check all connecting wiring.

11 Heating and ventilation system - description

1 The heater is centrally mounted under the facia and is of fresh air type.

2 Air is drawn in through the grille at the base of the windscreen. It then passes through the coolant heated matrix when it can then be distributed through selective outlets according to the setting of the control levers.

3 A booster fan is provided for use when the car is stationary or is travelling too slowly to provide sufficient air ram effect.

4 Fresh air outlets are provided at each end and centrally on the facia panel.

12 Heater unit - removal and refitting

1 Drain the cooling system.

2 Disconnect the heater hoses at the engine compartment rear bulkhead.

3 Working within the car under the facia panel, disconnect the leads from the heater blower by pulling the connecting plug apart.

4 If a radio is fitted, disconnect the aerial, earth, speaker and power leads from it.

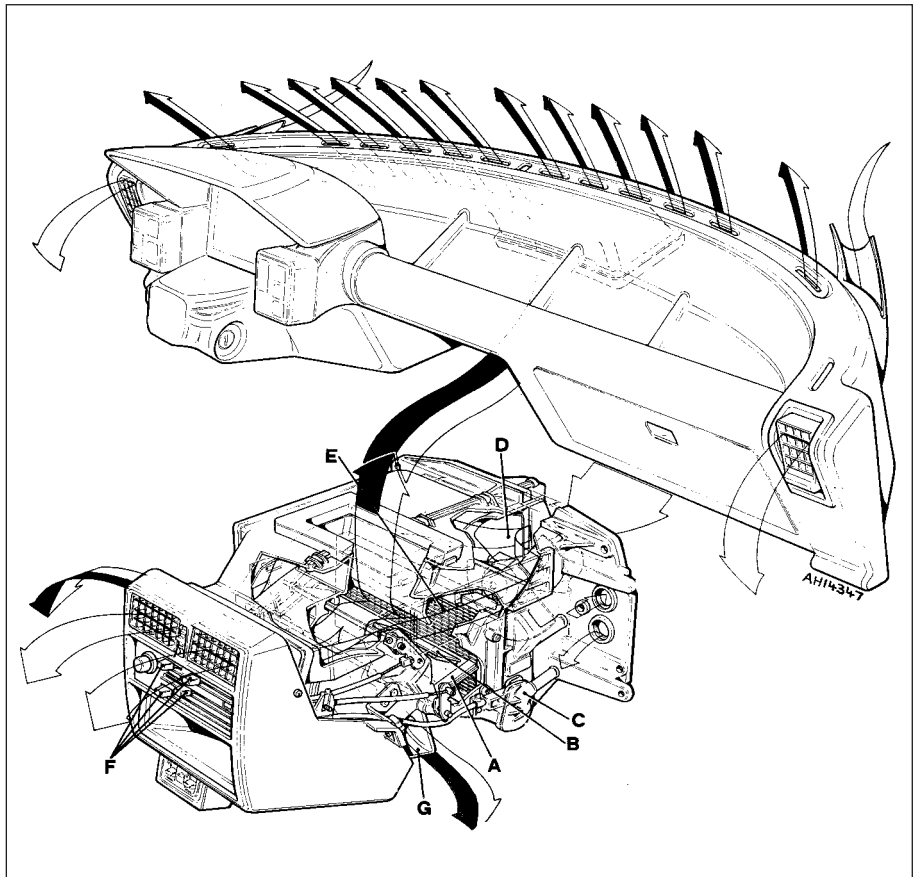


Fig. 2.7 Heater and ventilation system (Sec 11)

A Fresh air inlet flap
B Air distribution flap
C Coolant valve

D Blower
E Matrix

F Control levers
G Footwell air duct



12.5 Pulling off heater control lever knob



12.6A Heater control panel screw



12.6B Removing heater control panel escutcheon



12.8A Heater coolant valve and control cable

- 5 Pull off the knobs from the control levers (photo).
- 6 Extract the screws and take off the control indicator plate (photos). Disconnect the leads from the cigar lighter and carefully detach the fibre optic which provides the panel illumination.
- 7 Unscrew and remove the screws which hold the console to the heater unit and withdraw the console.
- 8 The control cables can be disconnected from the arms of the control flap valves (photos).
- 9 Unscrew the single screw from the upper face of the fascia panel. This screw secures the

- upper part of the heater casing (photo).
- 10 Unscrew the mounting nuts which hold the heater to the bulkhead (photo).
- 11 Lower the heater to the floor, taking care not to allow coolant to spill on the carpet.
- 12 Refitting is a reversal of removal. Fill the cooling system.

13 Heater - dismantling, overhaul and reassembly



- 1 Remove the heater from the car as described in the preceding Section.



12.8B Heater flap valve cables



Fig. 2.8 Extracting heater upper fixing screw (Sec 12)



12.9 Heater upper fixing screw



12.10 Heater lower mounting bolt



Fig. 2.9 Control lever platform screw (Sec 13)



Fig. 2.10 Withdrawing heater matrix (Sec 13)

- 2 The control lever mounting platform can be removed after extracting its fixing screws.
- 3 The coolant control valve can be removed after extracting its fixing nuts.
- 4 Unscrew the screws which hold the heater matrix in the casing and then slide the matrix from its location.

- 5 If the matrix is leaking, do not attempt a repair, but obtain a new one. These are usually obtainable on an exchange basis from radiator repairers.
- 6 The heater casing can be separated after prising off the clips and removing the bolts. The blower motor/fan can then be lifted out.

- 7 Reassembly is a reversal of dismantling, but set the cables to give complete range of travel between open and closed positions of the flap valve or coolant valve concerned.

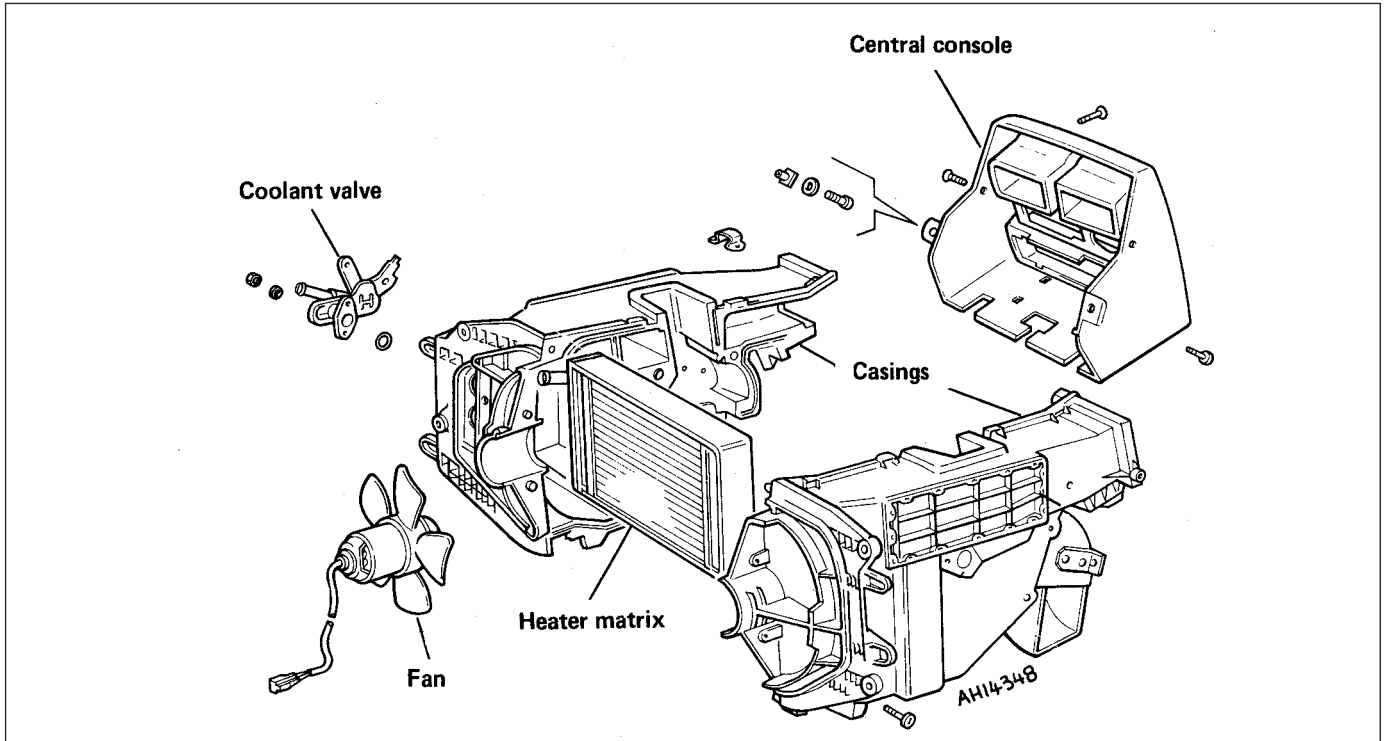


Fig. 2.11 Exploded view of heater (Sec 13)

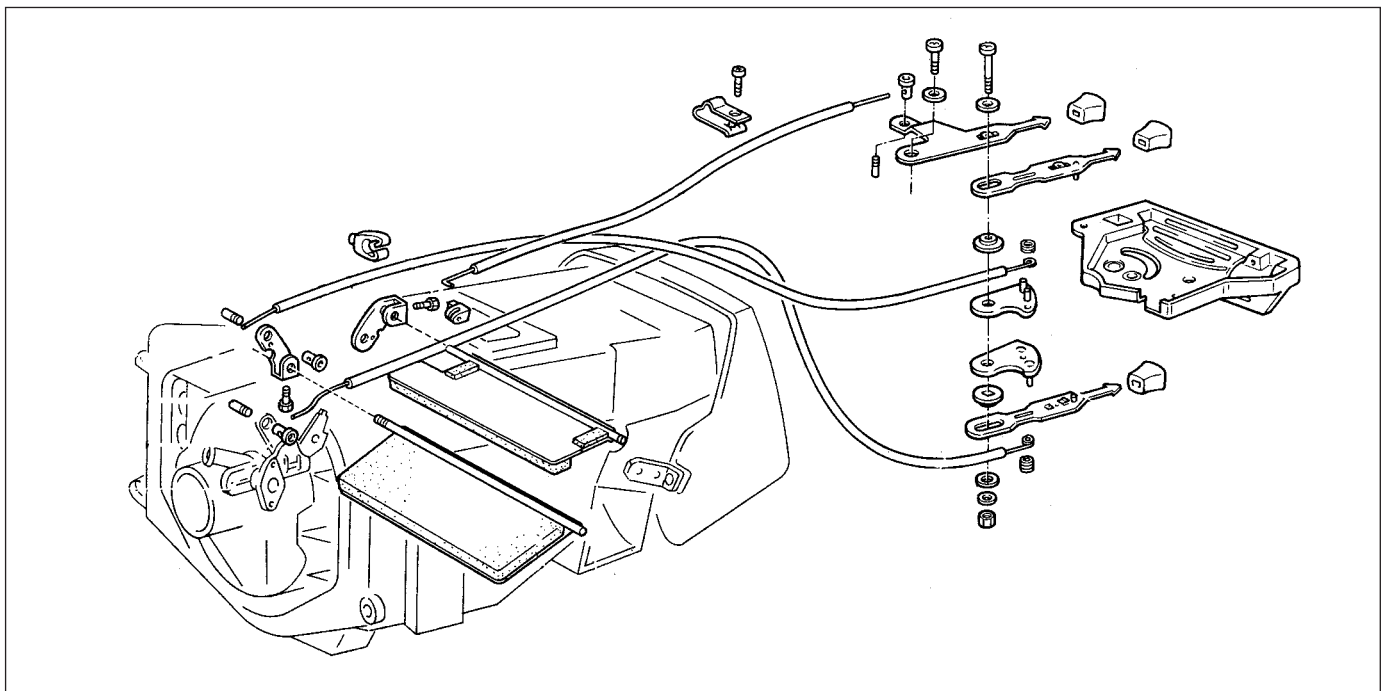


Fig. 2.12 Heater control components (Sec 13)

Fault finding - cooling and heating systems

Overheating

- Insufficient coolant in system
- Pump ineffective due to slack drivebelt
- Radiator blocked either internally or externally
- Kinked or collapsed hose causing coolant flow restriction
- Thermostat not working properly
- Engine out of tune
- Ignition timing retarded or auto advance malfunction
- Cylinder head gasket blown
- Engine not yet run-in
- Exhaust system partially blocked
- Engine oil level too low
- Brakes binding

Engine running too cool

- Faulty, incorrect or missing thermostat

Loss of coolant

- Loose hose clips
- Hoses perished or leaking
- Radiator leaking
- Filler/pressure cap defective
- Blown cylinder head gasket
- Cracked cylinder block or head

Heater gives insufficient output

- Engine overcooled (see above)
- Heater matrix blocked
- Heater controls maladjusted or broken
- Heater control valve jammed or otherwise defective






Chapter 3 Fuel system

For modifications, and information applicable to later models, see Supplement at end of manual

Contents

Accelerator cable - adjustment and renewal	17	Carburettors (Weber 32 ICEE/250 and Solex C32 DISA 14) - description and adjustment	11
Air cleaner - servicing, removal and refitting	2	Carburettors - general	6
Carburettor - removal and refitting	8	Choke control cable - removal and refitting	18
Carburettor idle speed and mixture - adjustment	7	Description and maintenance	1
Carburettor (Solex C32 DISA 12) - servicing and adjustment	13	Economy meter	16
Carburettor (Solex C30 - 32 CIC/1) - servicing and adjustment	15	Fault finding - fuel system	See end of Chapter
Carburettor (Solex C32 DISA 11) - servicing and adjustment	10	Fuel level transmitter - removal and refitting	4
Carburettor (Weber 30/32 DMTR 90/250) - servicing and adjustment	14	Fuel pump - removal and refitting	3
Carburettor (Weber 32 ICEV 50/250/1) - servicing and adjustment	9	Fuel tank - removal and refitting	5
Carburettor (Weber 32 ICEV 51/250) - servicing and adjustment	12	Manifolds and exhaust system	19

Degrees of difficulty

Easy , suitable for novice with little experience 	Fairly easy , suitable for beginner with some experience 	Fairly difficult , suitable for competent DIY mechanic 	Difficult , suitable for experienced DIY mechanic 	Very difficult , suitable for expert DIY or professional 
---	--	--	---	--

Specifications

System type	Rear mounted fuel tank, mechanically-operated fuel pump, downdraught carburettor
Air cleaner element	
903 cc (45) and 1116 cc (55) engine	Champion W121
1116 cc (60) and 1299/1301 cc (70) engines	Champion W136
Fuel tank	
Capacity	42.0 litre (9.25 gal)
Octane rating	Leaded 97 RON minimum (see Supplement for use of unleaded petrol)
Fuel filter	Champion L101
Carburettor - calibration (dimensions in mm)	
Weber 32 ICEV 50/250/1	
Application	903 cc engine
Venturi	22
Auxiliary venturi	3.5
Main jet	1.12
Air bleed	1.70
Emulsion tube	F89
Idle jet	0.47
Air idle jet	1.60
Pump jet	0.40
Pump outlet	0.40
Superfeed jet	0.80
Superfeed mixture jet	2.50
Fuel inlet needle valve	1.50
Anti-syphon device	1.00
Idle mixture adjustment hole	1.50
Float setting (fuel level)	10.5 to 11.0
Float setting (travel/stroke)	45.0
Fast idle (throttle valve gap)	0.75 to 0.80
Accelerator pump delivery (ten strokes)	4.0 to 5.5 cc

3•2 Fuel system

Solex C32 DISA 11

Application	903 cc engine
Venturi	23
Auxiliary venturi	3.4
Main jet	1.20
Air bleed jet	1.35
Emulsion tube	B03
Idle jet	0.525
Air idle jet	1.20
Pump jet	0.50
Pump outlet	0.45
Fuel inlet needle valve	1.60
Anti-syphon device	2.0
Idle mixture adjustment hole	1.10
Float setting (fuel level)	2.0 to 3.0
Fast idle (throttle valve gap)	0.90 to 1.0
Accelerator pump delivery (ten strokes)	2.5 to 4.5 cc

Weber 32 ICEE/250

Application	903 cc ES engine
Venturi	22
Auxiliary venturi	3.5
Main jet	1.07
Air bleed jet	1.60
Emulsion tube	F89
Idle jet	0.47
Air idle jet	1.60
Pump jet	0.40
Pump outlet	0.45
Superfeed jet	0.85
Superfeed mixture jet	2.50
Fuel inlet needle valve	1.50
Anti-syphon device	1.00
Idle mixture adjustment hole	1.50
Float setting (fuel level)	10.5 to 11.0
Fast idle (throttle valve plate gap)	0.75 to 0.80
Accelerator pump delivery (ten strokes)	4.0 to 5.5 cc

Solex C 32 DISA/14

Application	903 cc ES engine
Venturi	23
Auxiliary venturi	3.4
Main jet	1.20
Air bleed jet	1.30
Emulsion tube	B03
Idle jet	0.525
Idle air jet	1.20
Pump jet	0.70
Pump outlet	0.45
Fuel inlet needle valve	1.60
Anti-syphon device	2.0
Idle mixture adjustment hole	1.20
Float setting (fuel level)	2.0 to 3.0
Fast idle (throttle valve plate gap)	0.90 to 1.0
Accelerator pump delivery (ten strokes)	2.5 to 4.5 cc

Weber 32 ICEV 51/250

Application	1116 cc engine
Venturi	22
Auxiliary venturi	35
Main jet	1.15
Air bleed jet	1.90
Emulsion tube	F74
Idle jet	0.47
Air idle jet	1.55
Pump jet	0.40
Pump outlet	0.45
Superfeed jet	0.90
Superfeed mixture jet	2.50

Weber 32 ICEV 51/250 (continued)

Fuel inlet needle valve	1.50
Anti-syphon device	1.00
Idle mixture adjustment hole	1.50
Float setting (fuel level)	10.5 to 11.0
Float setting (travel/stroke)	45.0
Fast idle (throttle valve plate gap)	0.85 to 0.90
Accelerator pump delivery (ten strokes)	3.2 to 5.2 cc

Solex C 32 DISA/12

Application	1116 cc engine
Venturi	22
Auxiliary venturi	3.4
Main jet	1.22
Air bleed jet	2.0
Emulsion tube	86
Idle jet	0.57
Air idle jet	1.40
Pump jet	0.45
Pump outlet	0.50
Superfeed jet	1.15
Superfeed mixture jet	2.0
Fuel inlet needle valve	1.60
Anti-syphon device	1.60
Idle mixture adjustment hole	1.70
Float setting (fuel level)	2.0 to 3.0
Fast idle (throttle valve plate gap)	0.90 to 1.0
Accelerator pump delivery (ten strokes)	3.0 to 4.0 cc

Weber 30/32 DMTR 90/250

Application	1301 cc engine	
	Primary	Secondary
Venturi	19	23
Auxiliary venturi	3.5	5
Main jet	0.87	0.95
Air bleed jet	1.85	1.75
Emulsion tube	F43	F38
Idle jet	0.50	0.50
Air idle jet	11.0	0.70
Pump jet	0.45	-
Pump outlet	0.40	-
Superfeed jet	-	0.80
Superfeed mixture jet	-	2.00
Fuel inlet needle valve		1.50
Anti-syphon device	1.60	
Idle mixture adjustment hole	1.50	
Float setting (fuel level)	6.75 to 7.25	
Fast idle (throttle valve plate gap)	0.90 to 0.95	
Accelerator pump delivery (ten strokes)	8.5 to 12.5 cc	

Solex C 30/32 CIC/1

Application	1301 cc engine	
	Primary	Secondary
Venturi	19	23
Auxiliary venturi	3.2	4
Main jet	1.15	1.27
Air bleed jet	2.30	2.0
Emulsion tube	95	95
Idle jet	0.50	0.50
Air idle jet	1.20	1.60
Pump jet	0.50	-
Pump outlet	0.45	-
Fuel inlet needle valve	1.60	
Anti-syphon device	1.80	
Idle mixture adjustment hole	1.60	
Float setting (fuel level)	6.5 to 7.5	
Fast idle (throttle valve plate gap)	0.90 to 1.0	
Accelerator pump delivery (ten strokes)	7.5 to 9.5 cc	

3•4 Fuel system

Engine idle speed

At normal operating temperature 800 to 850 rev/min

CO percentage at idle 3.5 maximum

Torque wrench settings

	Nm	lbf ft
Exhaust manifold nuts (903 cc)	20	15
Exhaust and intake manifold nuts (1116 cc, 1301 cc)	28	20
Fuel pump nuts	28	20
Carburettor mounting nuts	25	18

1 Description and maintenance



1 The fuel system consists of a rear-mounted fuel tank, a mechanically-operated fuel pump and a carburettor and air cleaner.

2 On all engines except the 1301 cc a single venturi downdraught carburettor is fitted. On the 1301 cc version, a dual barrel carburettor is fitted.

3 Maintenance consists of periodically checking the condition and security of the fuel hoses to the pump and carburettor. The fuel pump cannot be cleaned or repaired and in the event of a fault developing, the pump must be renewed.

4 On ES versions, an electronic fuel cut-out device is fitted which reduces fuel consumption on overrun, see Chapter 9, Section 33.

2 Air cleaner - servicing, removal and refitting



1 The air cleaner air intake draws air either from the front of the car or from the outside of the exhaust manifold according to ambient temperature (photo).

2 At an ambient temperature of 13°C (55°F) and above, the SUN symbol should align with the intake spout arrow head. Remove the cover nuts and turn the cover.

3 At an ambient temperature lower than this, move the air cleaner cover until the SNOWFLAKE symbol aligns with the intake spout arrow head.

4 At the intervals specified in "Routine Maintenance" renew the air cleaner filter element.

5 To do this, remove the cover nuts and take off the cover (photo).

6 Take out the filter element and discard it. Wipe out the air cleaner casing (photo).

7 Locate the new element and refit the cover aligning the appropriate symbols.

903 cc engine

8 To remove the air cleaner from the 903 cc engine, unscrew the nuts and take off the cover. Lift out the filter element.

9 Unbolt the air cleaner casing from the carburettor flange and from the bracket on the rocker cover. Disconnect the vent hose (photo).

10 Disconnect the warm and cool air intake hoses from their collecting points and lift the air cleaner from the engine.

1116 cc and 1301 cc engines

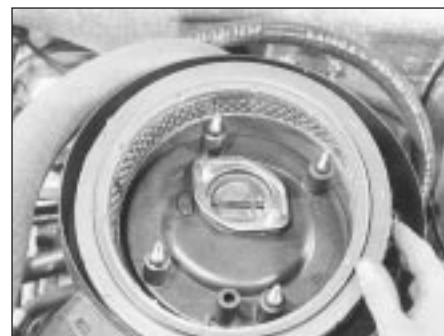
11 Removing the air cleaner from the 1116 cc engine is similar to that described for the 903 cc engine, but having a cylinder head support bracket (photos).



2.1 Air cleaner hot air intake



2.5 Air cleaner cover



2.6 Removing air cleaner element



2.9 Crankcase vent hose at air cleaner



2.11A Air cleaner mounting studs (1116 cc)



2.11B Air cleaner mounting bracket and pipe clip



3.4 Fuel pump



3.6A Fuel pump on mounting studs



3.6B Fuel pump spacer and pushrod

12 The air cleaner on the 1301 cc engine is mounted on the four flange studs of the carburetors, their nuts being accessible after the air cleaner lid has been removed and the filter element extracted.

13 Refitting of all types of air cleaner is a reversal of removal.

3 Fuel pump - removal and refitting



1 On 903 cc engines, the fuel pump is mounted on the side of the timing chain cover and is driven by a pushrod from an eccentric on the front of the camshaft.

2 On the 1116 cc and 1301 cc engines, the fuel pump is mounted on the side of the crankcase and is driven by a pushrod from an eccentric on the auxiliary shaft.

3 The removal of both types of pump is carried out in a similar way.

4 Disconnect the fuel inlet hose from the pump and plug the hose (photo).

5 Disconnect the fuel outlet hose from the pump.

6 Unscrew the pump fixing bolt and remove it together with spacer, pushrod and gaskets (photos).

7 Refitting is a reversal of removal. Make sure that a new gasket is located on each side of the spacer.

8 The gasket on the inboard side of the

spacer should always be 0.3 mm thick, but gaskets for the outboard side are available in thicknesses 0.3, 0.7 and 1.2 mm, as a means of adjusting the fuel pump pressure. The standard fuel pressure is 0.176 bar (2.55 lbf/in²). If the pressure is too high a thicker gasket should be used, if too low, fit a thinner one.

this cannot be arranged, syphon out as much fuel as possible into a suitable container which can be sealed.

2 The tank is mounted just forward of the rear axle.

3 Disconnect the filler hose and the breather hose from the tank (photo).

4 Unscrew the mounting bolts from the support straps and lower the tank using a jack with a block of wood as an insulator. Release the handbrake cable from its support bracket on the side of the tank (photo).

5 Once the tank has been lowered sufficiently far, disconnect the fuel supply and return hoses, breather hose and sender unit leads and remove the tank from the car.

Warning: *Never attempt to solder or weld a fuel tank yourself; always leave fuel tank repairs to the experts. Never syphon fuel into a container in an inspection pit. Fuel vapour is heavier than air and can remain in the pit for a considerable time.*

6 If the tank contains sediment or water, clean it out by using several changes of paraffin and shaking vigorously. In order to avoid damage to the sender unit, remove this before commencing operations.

7 Finally allow to drain and rinse out with clean fuel.

8 Refit by reversing the removal operations.

9 On 1984 and later models, the fuel tank is of plastic construction.

4 Fuel level transmitter - removal and refitting



1 The transmitter is accessible after having removed the small cover panel from the floor of the car under the rear seat (tipped forward) with the floor covering peeled back (photo).

2 Disconnect the fuel flow and return hoses and the electrical leads from the transmitter.

3 Unscrew the securing ring and lift the transmitter from the tank.

4 Refitting is a reversal of removal. Use a new rubber sealing ring.

5 Fuel tank - removal and refitting



1 It is preferable to remove the fuel tank when it has only a very small quantity of fuel in it. If



4.1 Fuel tank transmitter



5.3 Fuel tank filler and vent hoses



5.4 Fuel tank mounting straps

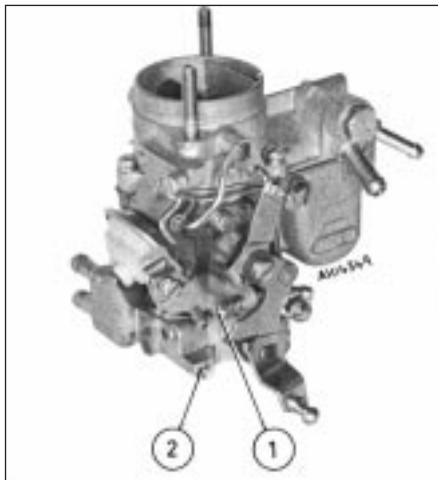


Fig. 3.1 Weber 32 ICEV 50/250 (Sec 6)

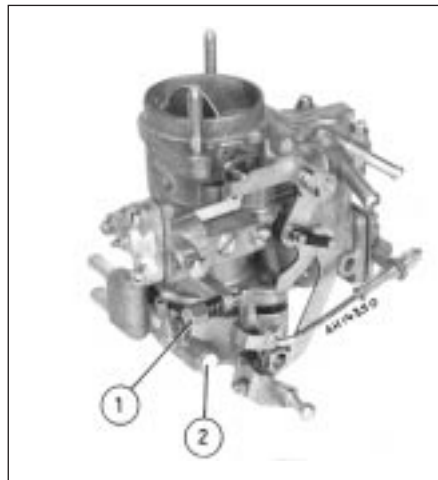


Fig. 3.2 Solex C32 DISA 11 (Sec 6)

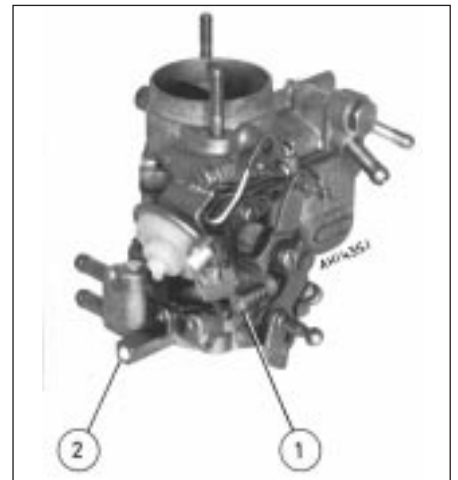


Fig. 3.3 Weber 32 ICEV 51/250 (Sec 6)

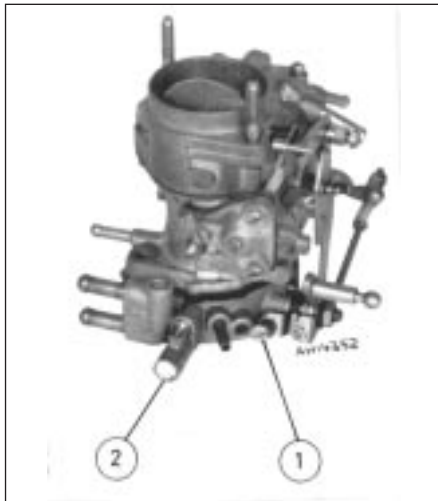


Fig. 3.4 Solex C32 DISA 12 (Sec 6)

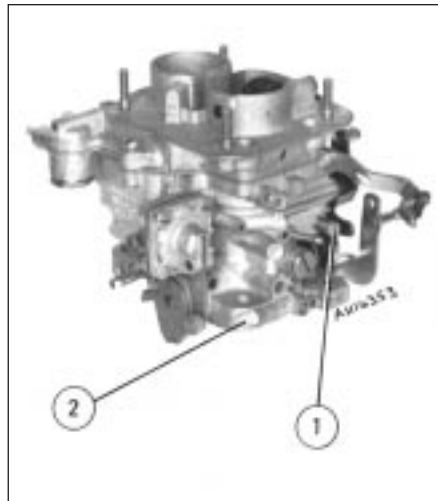


Fig. 3.5 Weber 30/32 DMTR 90/250 (Sec 6)

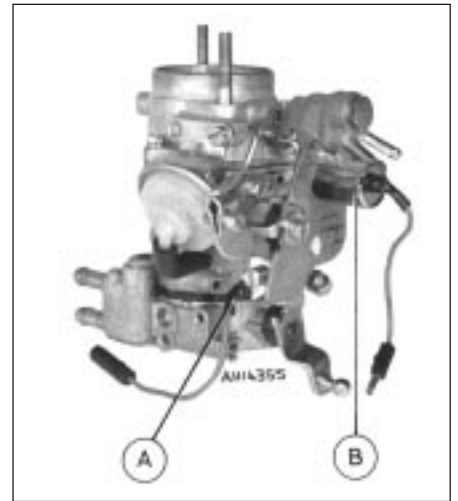


Fig. 3.6 Weber 32 ICEE/250 (Sec 6)

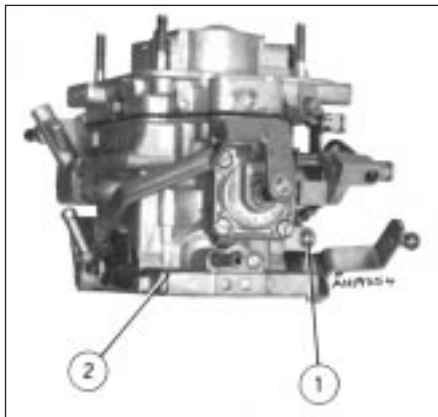


Fig. 3.7 Solex C30/32 CIC/1 (Sec 6)



Fig. 3.8 C32 DISA 14 (Sec 6)

6 Carburettors - general

1 The need to completely overhaul a carburettor is rare. A carburettor can normally be kept in good working order if the top cover is removed and the fuel mopped out of the fuel bowl. Individual jets can be removed and blown through. *Never probe them with wire or their calibration will be ruined.*

2 Take the opportunity to check the jet sizes and other components against those listed in the Specifications in case a previous owner has substituted some of incorrect calibration.

3 When the stage is reached where the valve plate spindle bushes have worn, then the carburettor should be renewed complete.

4 When reassembling the carburettor, use new gaskets which can be obtained in a repair pack.

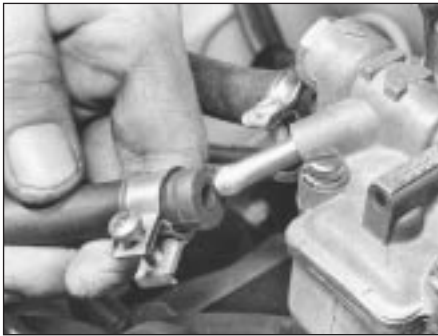
Key to carburettor illustrations

1 Idle speed screw

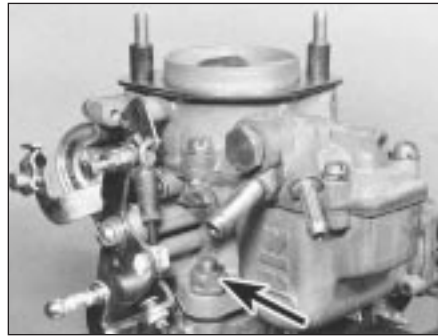
2 Anti-tamper plug an idle mixture adjustment screw

A Throttle valve plate

B Idle cut out device



8.2 Fuel hose at carburettor



8.6 Carburettor mounting flange nut

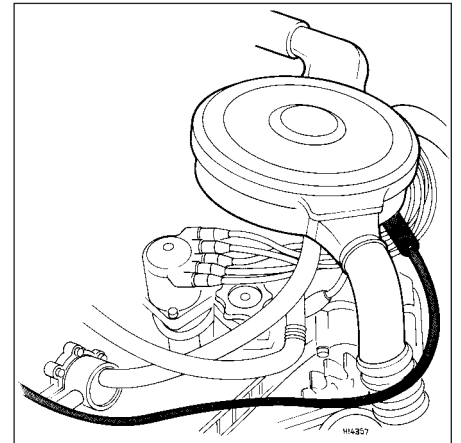


Fig. 3.9 Fuel return hose correctly located (Sec 8)

7 Carburettor idle speed and mixture - adjustment



- 1 All carburettors have their mixture adjustment set in production. The screw is fitted with a tamperproof cap.
- 2 Under normal circumstances, only the idle speed screw need be adjusted to set the engine idle speed to the specified level.
- 3 Before attempting to adjust the idle speed or mixture, it is important to have the ignition and valve clearances correctly set and the engine at normal operating temperature with the air cleaner fitted.
- 4 Where the mixture must be adjusted, prise out the tamperproof plug and turn the mixture screw in to weaken or out to enrich the mixture until the engine runs smoothly without any tendency to "hunt".
- 5 Ideally an exhaust gas analyser should be used to make sure that the CO level is within the specified range.
- 6 Once the mixture has been correctly set, re-adjust the idle speed screw.

8 Carburettor - removal and refitting



- 1 Remove the air cleaner.
- 2 Disconnect the flow and return fuel hoses from the carburettor and plug them.

- 3 Disconnect the coolant hoses from the carburettor throttle valve plate block. Provided the cooling system is cold and not under pressure there should be almost no loss of coolant. Tie the hoses up as high as possible with a piece of wire.

- 4 Disconnect the vacuum and vent hoses from the carburettor.
- 5 Disconnect the throttle and choke controls from the carburettor.
- 6 Unscrew the mounting flange nuts and lift the carburettor from the intake manifold (photo).
- 7 Refitting is a reversal of removal. Use a new flange gasket and make sure that the fuel return hose is routed above the air cleaner intake.

9 Carburettor (Weber 32 ICEV 50/250/1) - servicing and adjustment



- 1 The carburettor top cover with float may be removed without the need to withdraw the carburettor from the manifold. The other adjustments described will require removal of the carburettor.
- 2 Unscrew the filter plug from the top cover, clean the filter screen and refit it.
- 3 Extract the top cover fixing screws, lift the cover and tilt it to unhook it from the diaphragm capsule link rod.
- 4 Access to the fuel inlet needle valve is

obtained by carefully tapping out the float arm pivot pin. Take care, the pivot pin pillars are very brittle.

5 Check that the needle valve body is tight otherwise fuel can bypass the needle valve and cause flooding.

Float adjustment

- 6 Reassemble and check the float setting. Do this by holding the top cover vertically so that the float hangs down under its own weight. Measure dimension (A) (Fig. 3.10) which should be between 10.50 and 11.10 mm (0.41 to 0.44 in) with the gasket in position. If necessary, bend the float arm tab to adjust.
- 7 Now check the float travel which should be 45.0 mm (1.77 in). If adjustment is required, bend the end of the float arm.

Accelerator pump stroke

- 8 Using a twist drill as a gauge, open the throttle valve plate through 3.5 mm (0.138 in).
- 9 Turn the nut on the accelerator pump rod until it just makes contact with the pump control lever.

Fast idle adjustment

- 10 With the choke valve plate fully closed by means of the control lever, the throttle valve

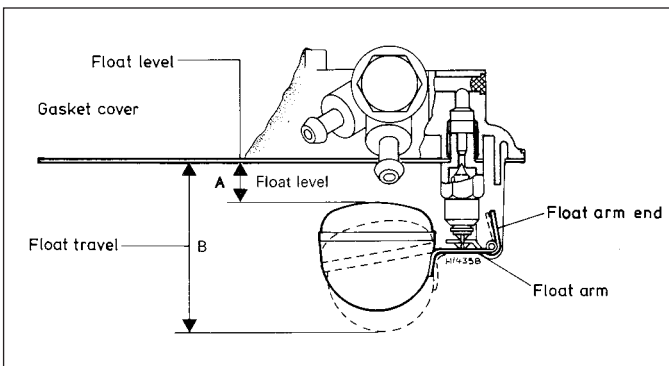


Fig. 3.10 Float setting diagram (Weber 32 ICEV 50/250) (Sec 9)

A = 10.5 to 11.0 mm (0.41 to 0.44 in) B = 45.0 mm (1.77 in)

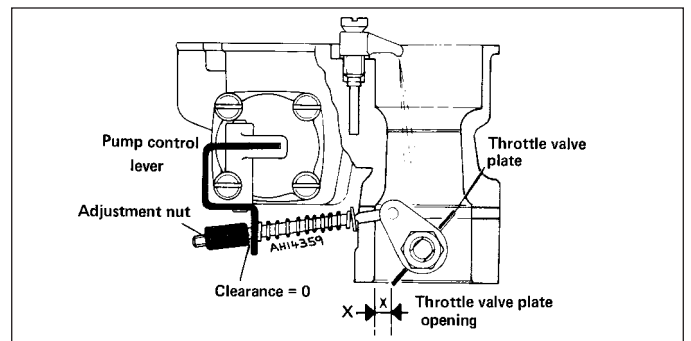


Fig. 3.11 Accelerator pump setting diagram (Weber 32 ICEV 50/250) (Sec 9)

X = 3.5 mm (0.138 in)

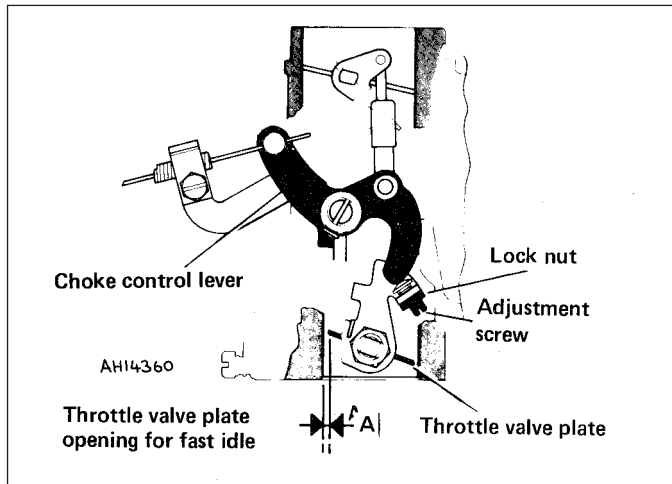


Fig. 3.12 Fast idle adjustment diagram (Weber 32 ICEV 50/250) (Sec 9)

$A = 0.75 \text{ to } 0.80 \text{ mm (0.030 to 0.032 in)}$

plate should be open (dimension A) (Fig. 3.1 2) between 0.75 and 0.80 mm (0.030 and 0.032 in). Adjust if necessary by means of the screw and locknut.

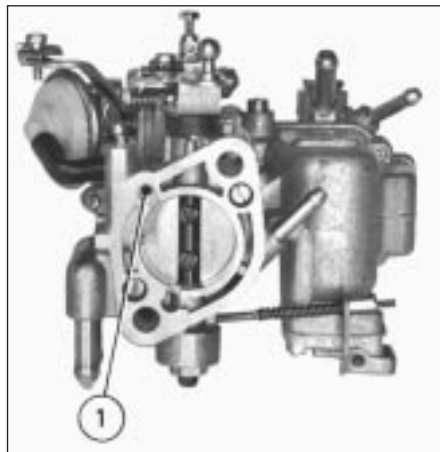


Fig. 3.14 Anti-flooding device vacuum intake (Weber 342 ICEV 50/250) (Sec 9)

1 Vacuum intake hole

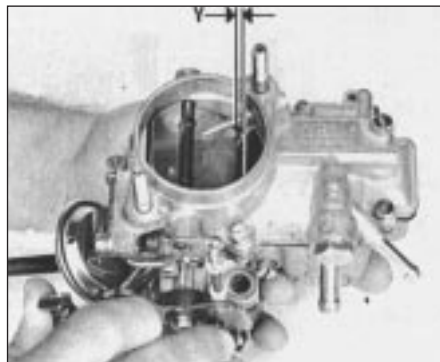


Fig. 3.15 Choke valve gap opening (Weber 32 ICEV 50/250) (Sec 9)

$Y = 3.75 \text{ to } 4.25 \text{ mm (0.148 to 0.167 in)}$

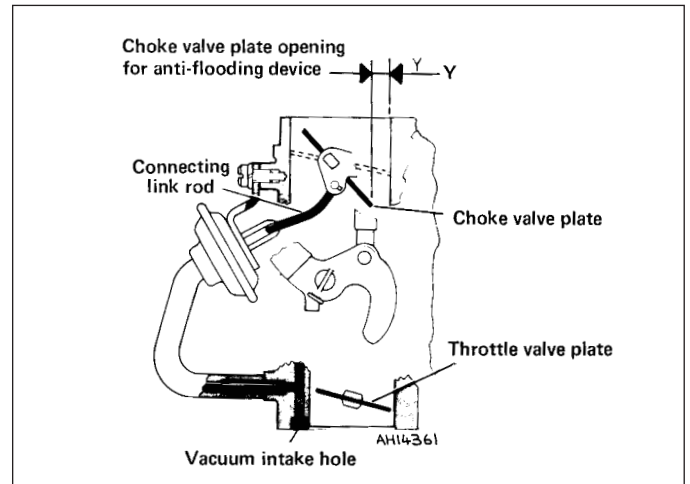


Fig. 3.13 Anti-flooding device (Weber 32 ICEV 50/250) (Sec 9)

$Y = 3.75 \text{ to } 4.25 \text{ mm (0.148 to 0.167 in)}$

Anti-flooding device

11 This consists of a diaphragm capsule and link rod.

12 The condition of the diaphragm can be checked by applying a vacuum source to the hole in the throttle valve plate block. The vacuum pressure will drop if there is a leak.

13 Actuate the choke valve plate lever fully and depress the control lever of the anti-flooding device to simulate operating vacuum.

14 There should be a gap (Y) (Fig. 3.15) between the edge of the choke valve plate and the wall of the carburetor throat of between 3.75 and 4.25 mm (0.148 and 0.167 in). Any adjustment that may be needed should be carried out by bending the link rod.

10 Carburettor (Solex C32 DISA 11) - servicing and adjustment

1 The carburettor top cover with float may be removed without the need to withdraw the carburettor from the manifold. The other adjustments described will require removal of the carburettor.

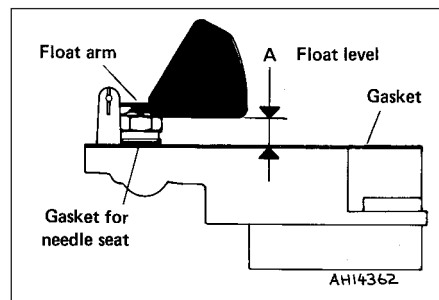


Fig. 3.16 Float setting diagram (Solex C32 DISA 11) (Sec 10)

$A = 2.0 \text{ to } 3.0 \text{ mm (0.079 to 0.118 in)}$

2 Extract the top cover fixing screws, disconnect the small externally mounted tension spring and take off the top cover.

3 Access to the fuel inlet needle valve is obtained by carefully tapping out the float arm pivot pin. Take care, the pivot pin pillars are very brittle.

4 Check that the needle valve body is tight otherwise fuel can bypass the needle valve and cause flooding.

Float adjustment

5 Reassemble and check the float setting. Do this by inverting the top cover so that the weight of the float fully depresses the ball of the needle valve. The distance (A) (Fig. 3.16) between the float and the surface of the top cover flange gasket should be between 2.0 and 3.0 mm (0.079 and 0.118 in). If adjustment is required, alter the thickness of the washer under the needle valve.

Accelerator pump

6 Fill the carburettor float chamber and then operate the throttle valve plate lever several times to prime the pump.

7 Position a test tube under the accelerator



Fig. 3.17 Adjusting accelerator pump rod (Solex C32 DISA 11) (Sec 10)

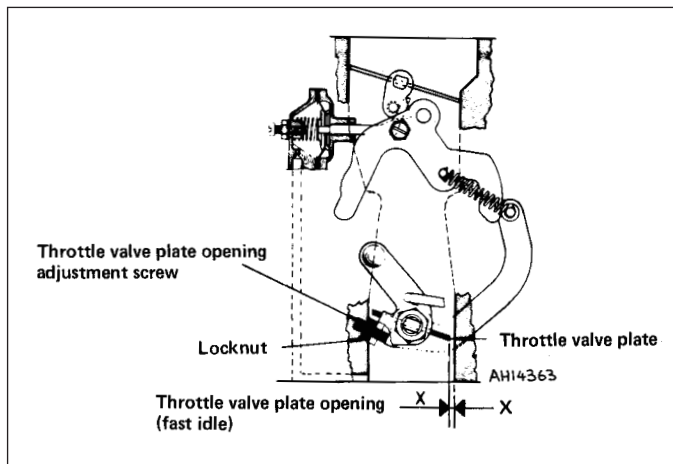


Fig. 3.18 Fast idle adjustment diagram (Solex C32 DISA 11) (Sec 10)

$X = 0.90$ to 1.0 mm (0.035 to 0.039 in)

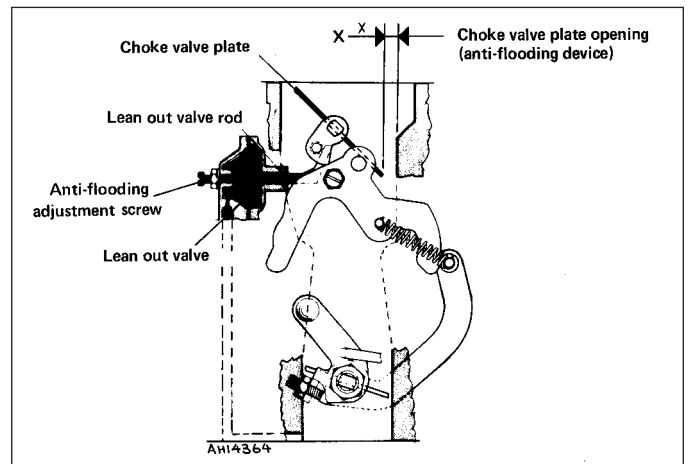


Fig. 3.19 Anti-flooding device adjustment diagram (Solex C32 DISA 11) (Sec 10)

$X = 4.75$ to 5.25 mm (0.187 to 0.207 in)

pump jet and give ten full strokes of the throttle lever, pausing between each stroke to allow fuel to finish dripping.

8 The total volume of fuel collected should be between 2.5 and 4.5 cc. Adjust the nut on the pump control and if necessary to increase or decrease the volume of fuel ejected.

Fast idle adjustment

9 With the choke valve plate fully closed, the throttle valve plate should be open to give a dimension (X) (Fig. 3.18) of between 0.90 and 1.0 mm (0.035 to 0.039 in). Use a twist drill of suitable diameter to measure the gap. If necessary, adjust by means of the screw and locknut.

Anti-flooding device

10 Close the choke valve plate by means of the control lever. At the same time, push the lean out valve rod towards the valve.

11 There should be a gap (X) (Fig. 3.19) between the edge of the choke valve plate

and the carburettor throat of between 4.75 and 5.25 mm (0.187 to 0.207 in). Adjust if necessary by means of the screw and locknut on the lean out valve.

11 Carburetors (Weber 32 ICEV/250 and Solex C32 DISA 14) - description and adjustment



1 One of these carburetors is used on 903 cc ES engines. They are very similar to the Weber 32 ICEV 50/250 and Solex C32 DISA 11 already described in this Chapter except that a fuel cut-out solenoid valve is fitted in association with the Digiplex ignition system (see Chapters 4 and 9).

2 The solenoid valve cuts off the supply of fuel to the carburettor whenever the accelerator pedal is released during overrun conditions.

3 A fuel cut-out device control unit receives information regarding engine speed from the static ignition control unit.

4 A throttle butterfly switch relays information

that the accelerator pedal is in the released state.

5 At certain minimum idle speeds during deceleration, the fuel cut-out solenoid valve is re-energised so that engine idling is maintained without the tendency to cut out.

6 The Solex type control unit varies the fuel cut-out point according to the deceleration value.

Fault testing

7 Should a fault develop, connect a test lamp between the fuel cut-out solenoid switch and a good earth.

8 Connect a reliable tachometer to the engine in accordance with the maker's instructions.

9 Start the engine and raise its speed to between 3000 and 4000 rev/min, then fully release the accelerator pedal.

10 The test lamp should only go out during the period when the accelerator pedal is released. Should the test lamp remain on all the time, or never come on, check the throttle switch earth and the solenoid switch connections.

11 Disconnect the multi-plug from the control unit. Switch on the ignition and check that a test lamp connected between contact 7 of the multi-plug and earth will illuminate. If it does not, there is an open circuit from connection 15/54 of the fuel cut-off switch.

12 Switch off the ignition and check for continuity between contact 3 of the multiplug and earth. An ohmmeter will be required for this test.

13 If there is no continuity (ohmmeter shows infinity), check all the system earth connections. Also check that the wiring plug under the control unit is properly connected.

14 Finally, check the engine speed signal. To do this, a tachometer must be connected to the single socket under the control unit within the engine compartment.

15 If the tachometer registers correctly then this confirms that the electronic ignition

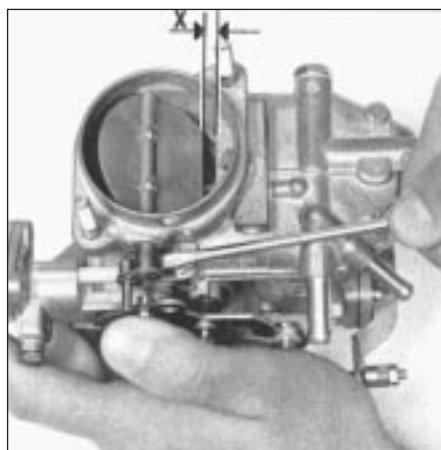


Fig. 3.20 Moving lean out valve rod (Solex C32 DISA 11) (Sec 10)

$X = 4.75$ to 5.25 mm (0.187 to 0.207 in)

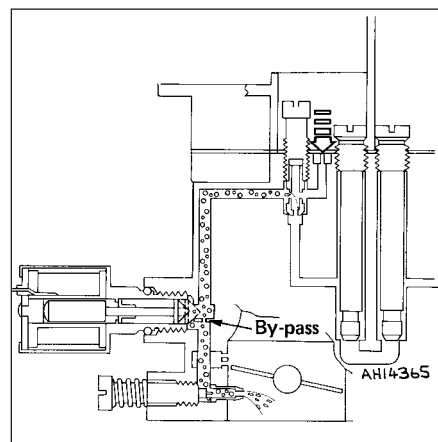


Fig. 3.21 Sectional view of fuel cut-off switch (Solex C32 DISA 14) (Sec 11)

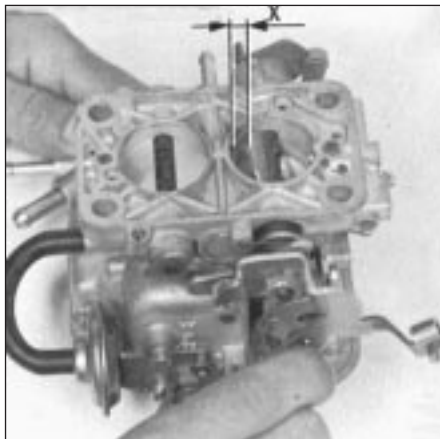


Fig. 3.22 Primary valve plate opening
(Weber 30/32 DMTR 90/250) (Sec 14)
 $X = 6.45 \text{ to } 6.95 \text{ mm (0.25 to 0.27 in)}$

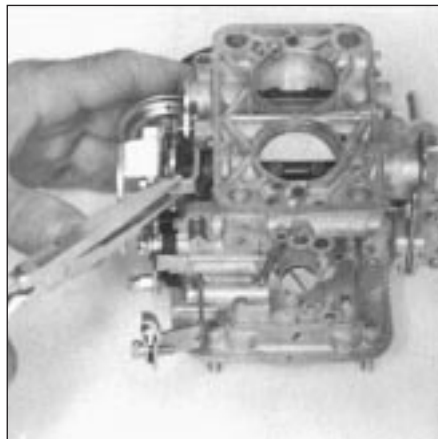


Fig. 3.23 Bending throttle lever stop
(Weber 30/32 DMTR 90/250) (Sec 14)

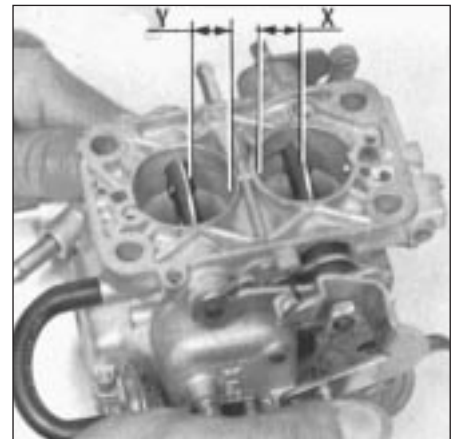


Fig. 3.24 Throttle valve plate openings
(Weber 30/32 DMTR 90/250) (Sec 14)
 $X \text{ (primary)} = 13.5 \text{ to } 14.5 \text{ mm (0.53 to 0.57 in)}$
 $Y \text{ (secondary)} = 14.5 \text{ to } 15.5 \text{ mm (0.57 to 0.61 in)}$

control unit is functioning, if the tachometer does not register, renew the ignition control unit.

16 If a replacement carburettor is to be fitted, only fit the Solex assembly including the control module, even if a Weber was originally fitted.

12 Carburettor (Weber 32 ICEV 51/250) - servicing and adjustment



1 This carburettor, fitted to 1116 cc engines, is very similar to the unit described in Section 9.

2 The fast idle adjustment procedure is identical, but note that dimension (A) (Fig. 3.12) should be between 0.85 and 0.90 mm (0.033 and 0.035 in).

3 The choke valve plate gap (Y) (Fig. 3.13) should be between 5.5 and 6.5 mm (0.22 and 0.26 in) and if adjustment is required, bend the stop on the control lever.

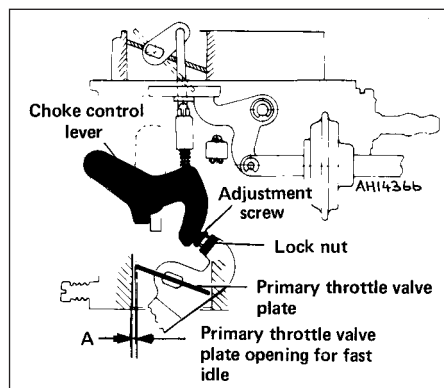


Fig. 3.25 Fast idle adjustment diagram
(Weber 30/32 DMTR 90/250) (Sec 14)
 $A = 0.90 \text{ to } 0.95 \text{ mm (0.035 to 0.037 in)}$

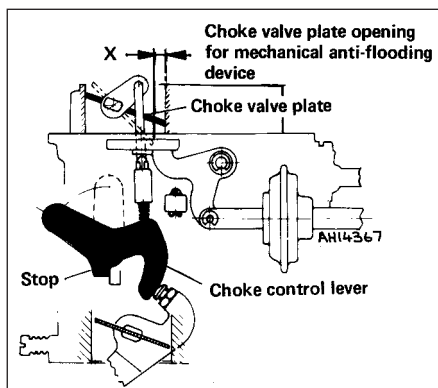


Fig. 3.26 Anti-flooding device (mechanical) adjustment diagram
(Weber 30/32 DMTR 90/250) (Sec 14)
 $X = 7.0 \text{ to } 7.5 \text{ mm (0.28 to 0.30 in)}$

13 Carburettor (Solex C32 DISA 12) - servicing and adjustment



1 This carburettor is an alternative to the Weber fitted to 1116 cc engines.

2 The adjustments described in Section 9 apply.

14 Carburettor (Weber 30/32 DMTR 90/250) - servicing and adjustment



1 The carburettor top cover with float may be removed without the need to withdraw the carburettor from the manifold. The other adjustments described in this Section will require removal of the carburettor.

2 Extract the top cover fixing screws and lift away the top cover with float. Access to the fuel inlet needle valve is as described in Section 9 paragraphs 4 and 5.

Float adjustment

3 Hold the cover vertically so that the floats hang down under their own weight. Measure the distance between the float and the surface of the gasket on the top cover. This should be between 6.75 and 7.25 mm (0.27 and 0.29 in).

4 Bend the float arm if necessary to adjust the setting.

Primary valve plate opening

5 With the throttle valve plate control lever in contact with the stop, the primary valve plate should be open (dimension X Fig. 3.22) between 6.45 and 6.95 mm (0.25 and 0.27 in). If adjustment is required, carefully bend the lever stop.

Primary and secondary valve plate openings

6 With the throttle control lever fully actuated the valve plate gaps (X and Y Fig. 3.24) should be:

$$X = 13.5 \text{ to } 14.5 \text{ mm (0.53 to 0.57 in)}$$

$$Y = 14.5 \text{ to } 15.5 \text{ mm (0.57 to 0.61 in)}$$

Fast idle

7 Close the choke valve plate fully and check the gap (A) (Fig. 3.25) between the edge of the throttle valve plate and the carburettor throat. The gap should be between 0.90 and 0.95 mm (0.035 and 0.037 in), a twist drill is useful for measuring this.

8 If adjustment is required, carry this out using the screw and locknut.

Anti-flooding device (mechanically-operated)

9 With the choke control pulled fully out, it should be possible to open the choke valve plate to give a gap (X) of between 7.0 and 7.5 mm (0.28 and 0.30 in). If adjustment is required, carefully bend the stop on the control lever (Fig. 3.26).

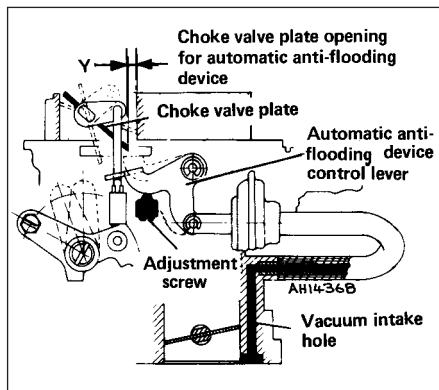


Fig. 3.27 Anti-flooding device (automatic) adjustment diagram
(Weber 30/32 DMTR 90/250) (Sec 14)
 $Y = 3.75 \text{ to } 4.25 \text{ mm } (0.148 \text{ to } 0.167 \text{ in})$

Anti-flooding device (automatic)

10 Pull the choke control fully out and hold the control lever, on the anti-flooding device, depressed. There should be a gap (Y) (Fig. 3.27) between the edge of the choke valve plate and the carburettor wall of between 3.75 and 4.25 mm (0.15 and 0.17 in). If adjustment is required, turn the adjuster screw provided.

15 Carburettor (Solex C30-32 (CIC/1) - servicing and adjustment



- 1** The carburettor top cover with float may be removed without the need to withdraw the carburettor from the manifold.
- 2** The other adjustments described in this Section will require removal of the carburettor.
- 3** Extract the top cover fixing screws and lift away the top cover with float.
- 4** Refer to Section 9 paragraphs 4 and 5 for details of removal of the fuel inlet needle valve.

Float adjustment

5 Invert the carburettor cover so that the

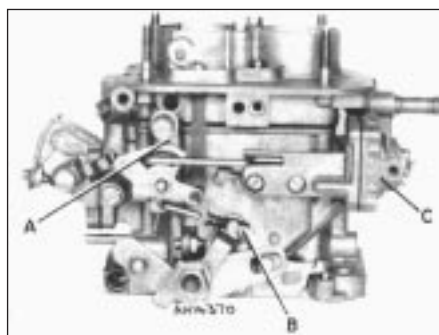


Fig. 3.30 Fast idle screw on Solex C30-32 CIC/1 (Sec 15)
A Choke control lever C Lean out valve
B Fast idle adjustment

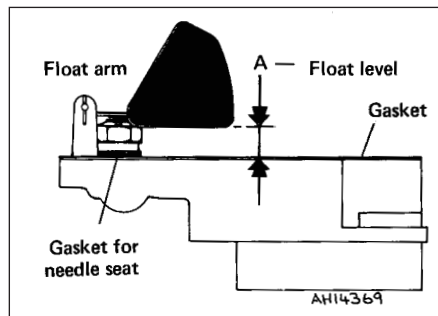


Fig. 3.28 Float setting diagram (Solex C30-32 CIC/1) (Sec 14)
 $A = 6.7 \text{ to } 7.5 \text{ mm } (0.26 \text{ to } 0.30 \text{ in})$

weight of the floats depresses the ball of the needle valve.

6 Measure the distance between the float and the surface of the cover gasket. This should be between 6.5 and 7.5 mm (0.26 and 0.30 in). If adjustment is required, change the thickness of the needle valve washer or carefully bend the float arm.

Accelerator pump

7 Refer to Section 10, paragraphs 6 and 7. The total volume of fuel collected should be between 7.5 and 9.5 cc. If the volume of fuel is incorrect, release the locknut and turn the adjuster screw on the pump lever then re-test the volume ejected.

Fast idle

8 Operate the choke control lever to close the choke valve plate. The gap between the edge of the primary throttle valve plate and the venturi wall should be between 0.90 and 1.00 mm (0.035 and 0.039 in). If adjustment is required, turn the nut on the fast idle rod.

Automatic anti-flooding device

9 The vacuum system of the device can be checked for leaks by applying a vacuum to the drilling in the carburettor throttle valve block. If vacuum cannot be maintained, renew the diaphragm.

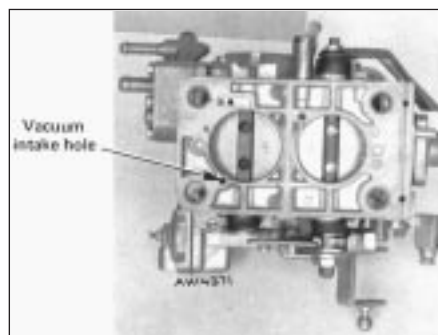


Fig. 3.31 Vacuum drilling for automatic anti-flooding device (Solex C30-32 CIC/1) (Sec 15)

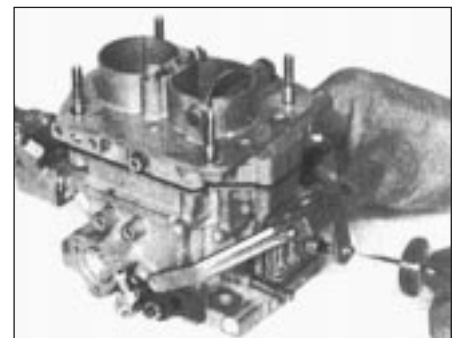


Fig. 3.29 Adjusting accelerator pump stroke (Solex C30-32 CIC/1) (Sec 15)

Choke valve plate automatic opening

10 Move the choke control lever to fully close the choke valve plate and then press the lean out valve rod. There should now be a gap (X) (Fig. 3.32) between the edge of the choke valve plate and the wall of the carburettor throat of between 4.75 and 5.25 mm (0.187 and 0.207 in).

11 Where adjustment is required, release the locknut and turn the screw on the lean out valve.

16 Economy meter

1 This device is fitted to ES (energy saving) models. It is essentially a vacuum gauge to advise the driver with regard to economical throttle opening related to engine and road speed. The point of change to a higher gear can also be deduced from this gauge. The latter facility is provided by an LED (light emitting diode).

2 Fault testing of the system is described in Chapter 9.

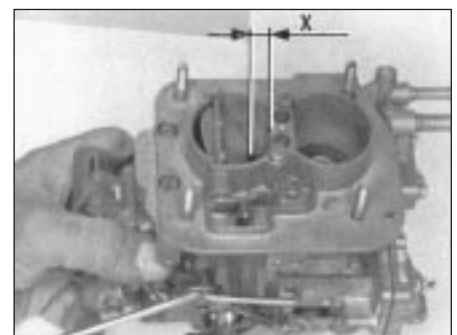


Fig. 3.32 Choke valve plate setting (Solex C30-32 CIC/1) (Sec 15)
 $X = 4.75 \text{ to } 5.25 \text{ mm } (0.187 \text{ to } 0.207 \text{ in})$



17.4 Throttle cable sleeve and bracket



17.5 Accelerator pedal



18.2 Choke cable at carburettor

17 Accelerator cable - adjustment and renewal



- 1 The socket type cable end fitting is detached from the carburettor throttle lever simply by prising it off the ball stud.
- 2 Adjustment can be carried out by releasing the locknut and turning the end fitting. With the accelerator pedal fully depressed, check that full throttle can be obtained at the carburettor.
- 3 To renew the cable, prise off the end fitting from the carburettor throttle lever.
- 4 Slip the cable sleeve from its retaining bracket (photo).
- 5 Working inside the car under the fascia panel, slip the cable from the fork at the top of the accelerator pedal arm (photo).



18.3 Extracting choke control lever screw

18 Choke control cable - removal and refitting



- 1 Remove the air cleaner.
- 2 Release the choke outer cable clamp and the inner cable from the swivel on the choke control lever (photo).
- 3 The choke control is of lever type. To remove it, extract its hinge screw, accessible when the lever is pulled upwards (photo).
- 4 Withdraw the choke cable assembly until the inner cable can be released from the hand



19.4A Manifold gasket

- control lever and the choke warning lamp lead unplugged.
 - 5 Withdraw the cable assembly through the engine compartment rear bulkhead.
 - 6 Fit the new cable by reversing the removal operations, adjust as described in paragraph 2.
- 5 Withdraw the cable through the engine compartment bulkhead.
 - 6 Fit the new cable by reversing the removal operations. Before tightening the inner cable pinch screw at the carburettor, hold the choke valve plate open and pull the control lever out 2.0 or 3.0 mm, then tighten the screw. This will provide just enough free movement to ensure that when the control is pushed fully in the choke valve plate will remain fully open even with engine movement slightly stretching the cable.

19 Manifolds and exhaust system



- 1 The intake manifold on 903 cc engines is integral with the cylinder head.
- 2 On the other engines, the intake and exhaust manifolds are mounted on the same side of the cylinder head.
- 3 A hot air collector plate is fitted over the exhaust manifold from where the air cleaner draws air when in the winter setting.
- 4 When fitting a manifold, thoroughly clean the cylinder head and manifold mating surfaces, use a new gasket and tighten nuts to the specified torque (photos).
- 5 The exhaust system on 903 cc models is of single downpipe, single silencer two section type.



19.4B Fitting exhaust manifold



19.4C Fitting intake manifold complete with carburettor



19.7A Exhaust pipe support rings



19.7B Exhaust tailpipe mounting



19.10 Exhaust pipe socket clamp

6 On 1116 cc and 1301 cc models, the exhaust system is of dual downpipe, two silencer, two section type.

7 The exhaust system is flexibly mounted (photo).

8 Do not attempt to separate the sections of

the exhaust system, while in position in the car. Unbolt the pipe from the manifold and, using a screwdriver, prise off the flexible suspension rings. Provided the car is then raised on jacks, ramps or placed over an inspection pit, the complete exhaust

system can be withdrawn from under the car.

9 If only one section is to be renewed, it is far easier to separate once the complete system is out of the car.

10 When refitting, grease the pipe sockets and fit the clamps loosely until the suspension rings are connected and the downpipe bolted up (using a new copper gasket). Check the attitude of the sections with regard to each other and the adjacent parts of the underbody. Fully tighten the clamps and downpipe flange nuts, remembering to bend up the lockplate tabs on 1116 cc and 1301 cc models (photo).

11 On the larger engined models, it may be necessary to raise the vehicle at the rear and support it on axle stands so that the rear suspension hangs down and is fully extended. This will allow sufficient clearance between the axle and the body for the exhaust system to be withdrawn.

Fault finding - fuel system

Unsatisfactory engine performance and excessive fuel consumption are not necessarily the fault of the fuel system or carburettor. In fact they more commonly occur as a result of ignition and timing faults. Before acting on the following it is necessary to check the ignition system first. Even though a fault may lie in the fuel system it will be difficult to trace unless the ignition is correct. The faults below, therefore, assume that this has been attended to first (where appropriate).

Smell of petrol when engine is stopped

- Leaking fuel lines or unions
- Leaking fuel tank

Smell of petrol when engine is idling

- Leaking fuel line unions between pump and carburettor
- Overflow of fuel from float chamber due to wrong level setting, ineffective needle valve or punctured float

Excessive fuel consumption for reasons not covered by leaks or float chamber faults

- Worn jets
- Over-rich setting
- Sticking mechanism
- Dirty air cleaner element

Difficult starting when cold

- Choke control
- Insufficient use of manual choke
- Weak mixture

Difficult starting, uneven running, lack of power, cutting out

- One or more jets blocked or restricted
- Float chamber fuel level too low or needle valve sticking
- Fuel pump not delivering sufficient fuel
- Induction leak

Difficult starting when hot

- Excessive use of manual choke
- Accelerator pedal pumped before starting
- Vapour lock (especially in hot weather or at high altitude)
- Rich mixture

Engine does not respond properly to throttle

- Faulty accelerator pump
- Blocked jet(s)
- Slack in accelerator cable

Engine idle speed drops when hot

- Incorrect air cleaner intake setting
- Overheated fuel pump

Engine runs on

- Idle speed too high






Chapter 4 Ignition system

For modifications and information applicable to later models, see Supplement at end of manual

Contents

Condenser (capacitor) - removal, testing and refitting	5	Fault finding - ignition system	See end of Chapter
Digiplex (electronic) - ignition checks and adjustments	10	General description	1
Digiplex (electronic) ignition - location of components and precautions	9	Ignition coil - (mechanical breaker ignition)	8
Distributor - removal and refitting	6	Ignition switch - removal and refitting	12
Distributor (mechanical breaker type) - overhaul	7	Ignition timing	4
Dwell angle - checking	3	Mechanical contact breaker - points servicing	2
		Spark plugs	11

Degrees of difficulty

Easy , suitable for novice with little experience 	Fairly easy , suitable for beginner with some experience 	Fairly difficult , suitable for competent DIY mechanic 	Difficult , suitable for experienced DIY mechanic 	Very difficult , suitable for expert DIY or professional 
---	--	--	---	--

Specifications

System type

Except ES engines	Battery, coil mechanical breaker distributor
ES engines	Marelli Digiplex electronic with breakerless distributor

Firing order	1 - 3 - 4 - 2 (No. 1 cylinder at crankshaft pulley end)
---------------------	---

Mechanical breaker distributor

Type	Marelli or Ducellier
Contact breaker points gap	0.37 to 0.43 mm (0.015 to 0.017 in)
Condenser capacity	0.20 to 0.25 µF
Dwell angle	52 to 58°
Rotor rotational direction	Clockwise
Ignition timing (dynamic)	
903 cc engine	5° BTDC at idle
1116 and 1301 cc engines	10° BTDC at idle
Centrifugal advance:	
903 cc engine	Between 30 and 34° max
1116 and 1301 cc engines	Between 22 and 24° max
Vacuum advance	Between 10 and 14° max

Ignition coil

Primary winding resistance at 20°C (68°F)	Between 2.6 and 3.3 ohms depending upon make of coil
Secondary winding resistance at 20°C (68°F)	Between 6745 and 12 000 ohms depending upon make of coil

Marelli Digiplex electronic ignition

Rotor arm resistance	1000 ohms
Advance range	Between 6 to 10° and 47 to 51°

Engine speed sensor

Resistance on flywheel	612 to 748 ohms
Sensor to flywheel tooth gap	0.25 to 1.3 mm (0.0099 to 0.0512 in)

TDC sensor

Resistance on pulley	612 to 748 ohms
Sensor to pulley tooth gap	0.4 to 1.0 mm (0.016 to 0.039 in)

Ignition coil

Primary winding resistance at 20°C (68°F)	0.310 to 0.378 ohms
Secondary winding resistance at 20°C (68°F)	3330 to 4070 ohms

4•2 Ignition system

Spark plugs

Type	Champion RN9YCC or RN9YC
Electrode gap	0.8 mm (0.031 in)

HT leads

903 cc (45)	Champion LS-07
1116, 1299 and 1301 cc (55, 60 and 70)	Champion LS-05

Torque wrench setting

Spark plugs	Nm	lbf ft
	25	18

1 General description

On all models except the 903 ES engine version, a mechanical contact breaker type distributor is fitted.

On 45 Super ES models which have the 903 ES engine, an electronic (Digiplex) ignition system is used which incorporates a breakerless distributor.

Mechanical contact breaker system

For the engine to run correctly, it is necessary for an electrical spark to ignite the fuel/air mixture in the combustion chamber at exactly the right moment in relation to engine speed and load. The ignition system is based on feeding low tension voltage from the battery to the coil where it is converted to high tension voltage. The high tension voltage is powerful enough to jump the spark plug gap in the cylinders under high compression pressures, providing that the system is in good condition and that all adjustments are correct.

The ignition system is divided into two circuits, the low tension (LT) circuit and the high tension (HT) circuit.

The low tension (sometimes known as the primary) circuit consists of the battery, the lead to the ignition switch, the lead from the ignition switch to the low tension or primary coil windings, and the lead from the low tension coil windings to the contact breaker points and condenser in the distributor.

The high tension circuit consists of the high tension or secondary coil windings, the heavy ignition lead from the centre of the coil to the centre of the distributor cap, the rotor arm, and the spark plug leads and spark plugs.

The system functions in the following manner: High tension voltage is generated in the coil by the interruption of the low tension circuit. The interruption is effected by the opening of the contact breaker points in this low tension circuit. High tension voltage is fed from the centre of the coil via the carbon brush in the centre of the distributor cap to the rotor arm of the distributor.

The rotor arm revolves at half engine speed inside the distributor cap, and each time it comes in line with one of the four metal segments in the cap, which are connected to the spark plug leads, the opening of the

contact breaker points causes the high tension voltage to build up, jump the gap from the rotor arm to the appropriate metal segment, and so via the spark plug lead to the spark plug, where it finally jumps the spark plug gap before going to earth.

The ignition timing is advanced and retarded automatically, to ensure the spark

occurs at just the right instant for the particular load at the prevailing engine speed.

The ignition advance is controlled mechanically, and by vacuum. The mechanical governor mechanism consists of two weights, which move out from the distributor shaft as the engine speed rises, due to centrifugal force. As they move

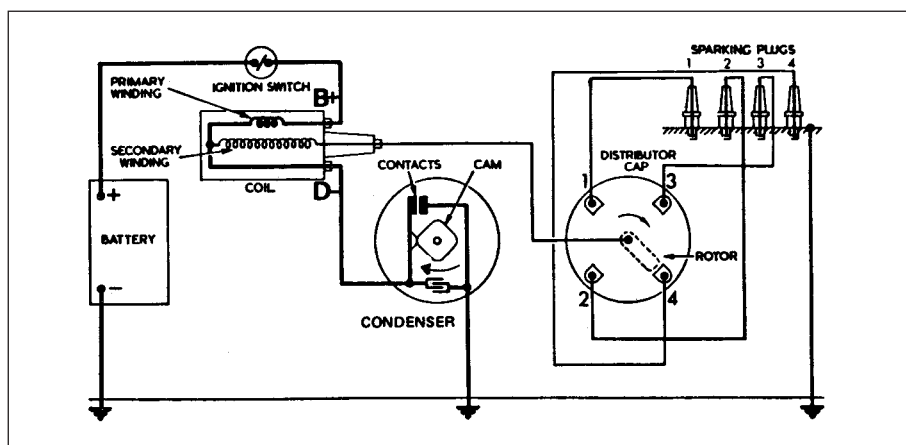


Fig. 4.1 Typical ignition circuit (mechanical contact breaker distributor) (Sec 1)

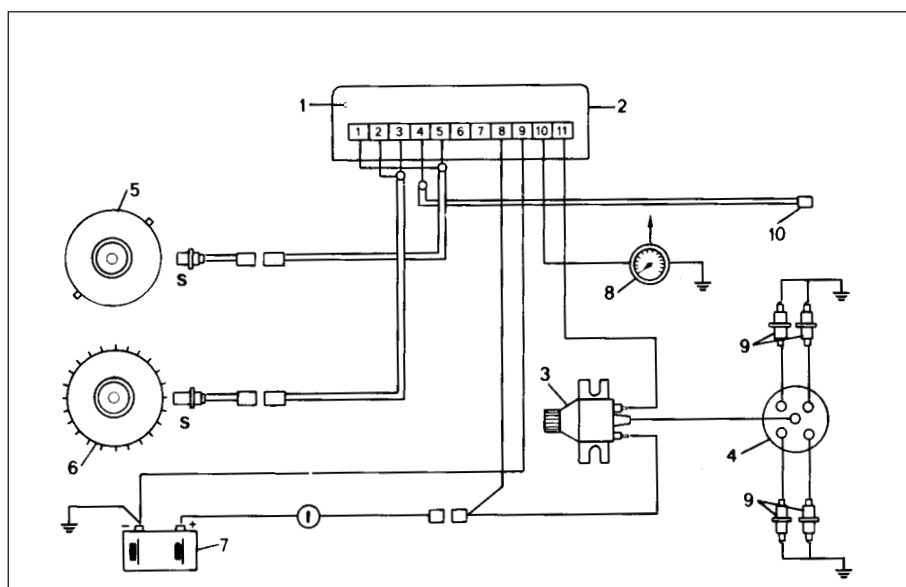


Fig. 4.2 Digiplex electronic ignition system (Sec 1)

- | | | |
|-------------------|---------------------|------------------------|
| 1 Control unit | 5 Crankshaft pulley | 9 Spark plugs |
| 2 Multi-plug | 6 Flywheel | 10 Wiring connector |
| 3 Ignition coil | 7 Battery | S1 Engine speed sensor |
| 4 Distributor cap | 8 Rev counter | S2 TDC sensor |

outwards, they rotate the cam relative to the distributor shaft, and so advance the spark. The weights are held in position by two springs and it is the tension of the springs which is largely responsible for correct spark advancement.

The vacuum advance is controlled by a diaphragm capsule connected to the carburettor venturi. The vacuum pressure varies according to the throttle valve plate opening and so adjusts the ignition advance in accordance with the engine requirements.

Digiplex ignition system

This electronic system eliminates the mechanical contact breaker and centrifugal advance mechanism of conventional distributors and uses an electronic control unit to provide advance values according to engine speed and load. No provision is made for adjustment of the ignition timing.

Information relayed to the control unit is provided by two magnetic sensors which monitor engine speed and TDC directly from the engine crankshaft.

A vacuum sensor in the control unit converts intake manifold vacuum into an electric signal.

The control unit selects the optimum advance angle required and a closed magnetic circuit resin coil guarantees a spark owing to the low primary winding resistance.

Five hundred and twelve advance values are stored in the control unit memory to suit any combination of engine operating conditions.

No maintenance is required to the distributor used on this system.

Distributor drive

The mechanical breaker type distributor on 903 cc engines and the Digiplex type distributor on 903 cc ES engines are mounted on the cylinder head and driven from a gear on the camshaft through a shaft which also drives the oil pump.

The distributor on 1116 cc and 1301 cc engines is mounted on the crankcase and is driven from a gear on the auxiliary shaft as is also the oil pump.

2 Mechanical contact breaker - points servicing



1 At the intervals specified in "Routine Maintenance", prise down the clips on the distributor cap and place the cap with high tension leads to one side.

2 Pull off the rotor.

3 Remove the spark shield. Mechanical wear of the contact breaker reduces the gap. Electrical wear builds up a "pip" of burned metal on one of the contacts. This prevents the gap being measured for re-adjustment, and also spoils the electric circuit.

Ducellier type distributor

4 To remove the contact breaker movable arm, extract the clip and take off the washer from the top of the pivot post.

5 Extract the screw and remove the fixed contact arm.

6 Clean the points by rubbing the surfaces on a fine abrasive such as an oil stone. The point surface should be shaped to a gentle convex curve. All the "pip" burned onto one contact must be removed. It is not necessary to go on until all traces of the crater have been removed from the other. There is enough metal on the contacts to allow this to be done once. At alternate services, fit new points. Wash debris off cleaned points and preservatives off new ones.

7 Now the distributor should be lubricated. This lubrication is important for the correct mechanical function of the distributor, but excess lubrication will ruin the electrical circuits, and give difficult starting.

8 Whilst the contact breaker is off, squirt some engine oil into the bottom part of the distributor, onto the centrifugal advance mechanism below the plate.

9 Wet with oil the felt pad on the top of the distributor spindle, normally covered by the rotor arm.

10 Put just a drip of oil on the pivot for the moving contact.

11 Smear a little general purpose grease onto the cam, and the heel of the moving contact breaker.

12 Refit the contact points and then set the gap in the following way.

13 Turn the crankshaft by applying a spanner to the pulley nut or by jacking up a front wheel, engaging top gear and turning the roadwheel in the forward direction of travel. Keep turning until the plastic heel of the movable contact arm is on the high point of a cam lobe on the distributor shaft.

14 Set the points gap by moving the fixed contact arm until the specified feeler blades are a sliding fit. Tighten the fixed contact arm screw.

15 Check the contact end of the rotor arm. Remove any slightly burnt deposits using fine abrasive paper. Severe erosion will necessitate renewal of the rotor.

16 Wipe out the distributor cap and check for cracks or eroded contacts (photo). Renew if evident or if the carbon brush is worn.

17 Refit the spark shield, rotor and distributor cap.

18 Setting the contact breaker gap with a feeler blade must be regarded as a means of ensuring that the engine will start. For optimum engine performance, the dwell angle must be checked and adjusted as described in Section 3.

Marelli type distributor

19 Open the points with a finger nail and inspect their condition. If they are badly eroded or burned, then they must be renewed. The contact points can only be renewed complete with carrier plate as an assembly.

20 Release the low tension leads from the terminals on the distributor body (photo).

21 Extract the screws which hold the vacuum advance capsule to the distributor body. Tilt the capsule and release its link rod from the contact breaker carrier plate (photo).

22 Prise out the E-clip from the breaker carrier and then withdraw the contact assembly from the top of the distributor shaft.



2.16 Interior of distributor cap showing carbon brush



2.20 Marelli distributor



2.21 Extracting vacuum diaphragm unit screw

4•4 Ignition system



2.22A Marelli contact breaker E-clip



2.22B Washers above contact breaker



Fig. 4.3 Marelli contact breaker (Sec 2)



Fig. 4.4 Adjusting Marelli type contact breaker points gap (Sec 2)



4.2 Distributor vacuum hose

Note the washers above and below the contact assembly (photos).

23 Fit the new contact assembly by reversing the removal operations.

24 Although the points gap is normally set in production, check it using feeler blades when the plastic heel of the movable arm is on a high point of the shaft cam. Adjust if necessary by inserting an Allen key (3.0 mm) into the socket-headed adjuster screw.

25 Carry out the operations described in paragraphs 14 to 17 in this Section.

3 Dwell angle - checking

The dwell angle is the number of degrees through which the distributor cam turns between the instants of closure and opening of the contact breaker points.

1 Connect a dwell meter in accordance with the maker's instruction. The type of meter that operates with the engine running is to be preferred; any variation in contact breaker gap, caused by wear in the distributor shaft or bushes, or the height of the distributor cam peaks, is evened out when using this.

2 The correct dwell angle is given in the Specifications at the beginning of this Chapter. If the angle is too large, increase the contact points gap. If the angle is too small, reduce the points gap. Only very slight adjustments should be made to the gap before re-checking.

3 On Ducellier distributors, adjustment of the dwell angle can only be carried out by switching off the ignition, removing the distributor cap, rotor and spark shield and adjusting the points gap.

4 Re-check once the engine is running. Adjustment may have to be carried out several times to obtain the correct dwell angle.

5 On Marelli distributors, adjustment of the points gap (dwell angle) is carried out with the engine running by inserting a 3.0 mm Allen key in the hole provided in the distributor body.

6 Always check and adjust the dwell angle before timing the ignition as described in Section 4.

4 Ignition timing

1 Timing the ignition on engines with mechanical breaker distributors is carried out in the following way.

2 Disconnect the vacuum hose from the distributor diaphragm capsule (photo).

3 Have the engine at normal operating temperature and idling with a stroboscope connected in accordance with the manufacturer's instructions.

4 Point the stroboscope at the timing marks on the flywheel and the index on the aperture on the flywheel housing. The mark on the flywheel should be opposite to the BTDC mark on the index specified for your particular engine. Alternatively, use the notch on the crankshaft pulley and the marks on the timing belt cover (photo), but this will necessitate removal of the wheel arch shield.

5 If the marks are not in alignment, release the distributor clamp plate and turn the distributor gently until they are (photo).

6 Tighten the clamp plate nut, switch off the ignition, reconnect the vacuum hose and remove the stroboscope.

7 If there is any difficulty in seeing the timing marks clearly, highlight them by painting with quick-drying white paint.

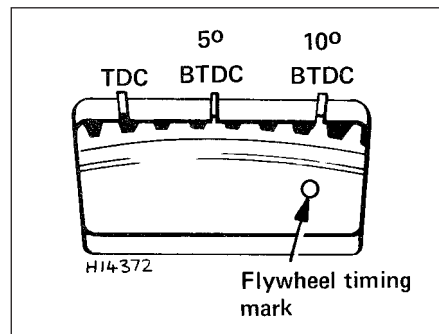


Fig. 4.5 Flywheel housing timing marks (Sec 4)



4.4 Ignition timing marks on belt cover

5 Condenser (capacitor) - removal, testing and refitting



The purpose of the condenser (sometimes known as the capacitor) is to ensure that when the contact breaker points open there is no sparking across them which would weaken the spark and cause rapid deterioration of the points.

The condenser is fitted in parallel with the contact breaker points. If it develops a short circuit it will cause ignition failure as the points will be prevented from interrupting the low tension circuit.

1 If the engine becomes very difficult to start (or begins to misfire whilst running) and the breaker points show signs of excessive burning, suspect the condenser has failed with open circuit. A test can be made by separating the points by hand with the ignition switched on. If this is accompanied by a bright spark at the contact points, it is indicative that the condenser has failed.

2 Without special test equipment, the only sure way to diagnose condenser trouble is to replace a suspected unit with a new one and note if there is any improvement.

3 To remove the condenser from the distributor, take out the screw which secures it to the distributor body and disconnect its leads from the terminals.

4 When fitting the condenser, it is vital to ensure that the fixing screw is secure. The lead must be secure on the terminal with no chance of short circuiting.

6 Distributor - removal and refitting



1 Remove the spark plug from No. 4 cylinder and then turn the crankshaft either by applying a spanner to the pulley nut or by jacking up a front wheel, engaging top gear and turning the wheel in the forward direction of travel.

2 Place a finger over the plug hole and feel the compression being generated as the piston rises up the cylinder bore.

3 Alternatively, if the rocker cover is off, check that the valves on No. 1 cylinder are closed.

4 Continue turning the crankshaft until the flywheel and flywheel housing (BTDC) ignition timing marks are in alignment. Number 4 piston is now in firing position.

5 Remove the distributor cap and place it to one side complete with high tension leads.

6 Disconnect the distributor vacuum hose and low tension lead (photo).

7 Mark the distributor pedestal mounting plinth in relation to the crankcase. Also mark the contact end of the rotor in relation to the rim of the distributor body.



4.5 Distributor clamp plate nut

8 Unbolt the clamp plate and withdraw the distributor.

9 Refit by having No. 4 piston at its firing position and the distributor rotor and pedestal marks aligned, then push the distributor into position, mating it to the splined driveshaft.

10 If a new distributor is being fitted then of course alignment marks will not be available to facilitate installation in which case, hold the unit over its mounting hole and observe the following.

903 cc engine: Distributor cap high tension lead sockets pointing towards alternator and at 90° to centre line of rocker cover. Contact end of rotor arm pointing towards No. 4 contact in distributor cap (when fitted).

1116 cc and 1301 cc engine: Distributor vacuum unit pointing downwards at 135° to rear edge of timing belt cover. Contact end of rotor arm pointing towards No. 4 contact in distributor cap (when fitted).

11 Tighten the distributor clamp bolt, reconnect the vacuum hose and the low tension leads. Refit the distributor cap. Screw in the spark plug.

12 Check the ignition timing as described in Section 4.

7 Distributor (mechanical breaker type) - overhaul



Ducellier

1 The cap must have no flaws or cracks and the HT terminal contacts should not be severely corroded. The centre spring-loaded carbon contact is renewable. If in any doubt about the cap, buy a new one.

2 The rotor deteriorates minimally, but with age the metal conductor tip may corrode. It should not be cracked or chipped and the metal conductor must not be loose. If in doubt, renew it. Always fit a new rotor if fitting a new cap.

3 With the distributor removed as described in the preceding Section, take off the rotor and contact breaker.



6.6 Distributor LT connection

4 To remove the contact breaker movable arm, extract the clip and take off the washer from the top of the pivot post.

5 Extract the screw and remove the fixed contact arm.

6 Carefully record the setting of the advance toothed segment and then remove the spring clip and vacuum capsule fixing screws and withdraw the capsule with link rod.

7 Pick out the lubrication pad from the recess in the top of the distributor shaft. Unscrew the screw now exposed.

8 Mark the relationship of the cam to the counterweight pins and then remove the cam assembly.

9 There is no way to test the bob weight springs other than by checking the performance of the distributor on special test equipment, so if in doubt, fit new springs anyway. If the springs are loose where they loop over the posts, it is more than possible that the post grooves are worn. In this case, the various parts which include the shaft will need renewal. Wear to this extent would mean that a new distributor is probably the best solution in the long run. Be sure to make note of the engine number and any serial number on the distributor when ordering.

10 If the mainshaft is slack in its bushes or the cam on the spindle, allowing sideways play, it means that the contact points gap setting can only be a compromise; the cam position relative to the cam follower on the moving point arm is not constant. It is not practical to re-bush the distributor body unless you have a friend who can bore and bush it for you. The shaft can be removed by driving out the roll pin from the retaining collar at the bottom. (The collar also acts as an oil slinger to prevent excess engine oil creeping up the shaft.)

Marelli

11 With the distributor removed from the engine, take off the spark shield and rotor.

12 Remove the contact breaker and carrier as described in Section 2.

13 Refer to paragraphs 9 and 10 for details of counterweight springs and shaft bushes (photo).

4•6 Ignition system



7.13 Marelli distributor centrifugal weights and springs

Reassembly

14 This is a reversal of dismantling. On Ducellier distributors, make sure that the advance toothed segment is returned to its original setting otherwise the advance curves for your particular engine will be upset.

8 Ignition coil (mechanical breaker ignition)

1 Coils normally last the life of a car. The most usual reason for a coil to fail is after being left with the ignition switched on but the engine not running. There is then constant current flowing, instead of the intermittent flow when the contact breaker is opening. The coil then overheats, and the insulation is damaged (photo).

2 If the coil seems suspect after fault finding, the measurement of the resistance of the primary and secondary windings (usually an ohmmeter) can establish its condition. If an ohmmeter is not available, it will be necessary to try a new coil.

9 Digiplex (electronic) ignition - location of components and precautions

1 The main components of this system are located within the engine compartment as shown.

2 On cars equipped with this system, it is



8.1 Ignition coil

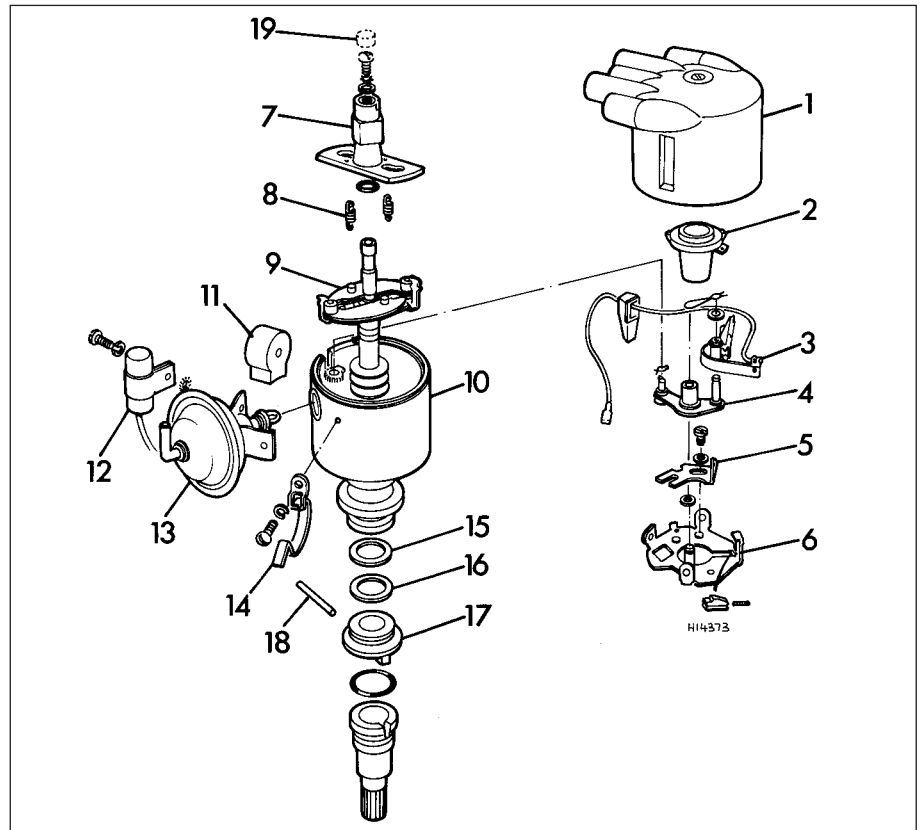


Fig. 4.6 Exploded view of typical Ducellier distributor (Sec 7)

- | | | |
|-----------------------------|------------------------------|-------------------------|
| 1 Cap | 8 Centrifugal advance weight | 14 Cap retaining spring |
| 2 Rotor | control springs | 15 Thrust washer |
| 3 Movable breaker arm | 9 Driveshaft and plate | 16 Spacer washer |
| 4 Vacuum advance link | 10 Body | 17 Driving dog |
| 5 Fixed contact breaker arm | 11 LT insulator | 18 Retaining pin |
| 6 Contact breaker baseplate | 12 Condenser | 19 Felt pad |
| 7 Cam assembly | 13 Vacuum capsule | |

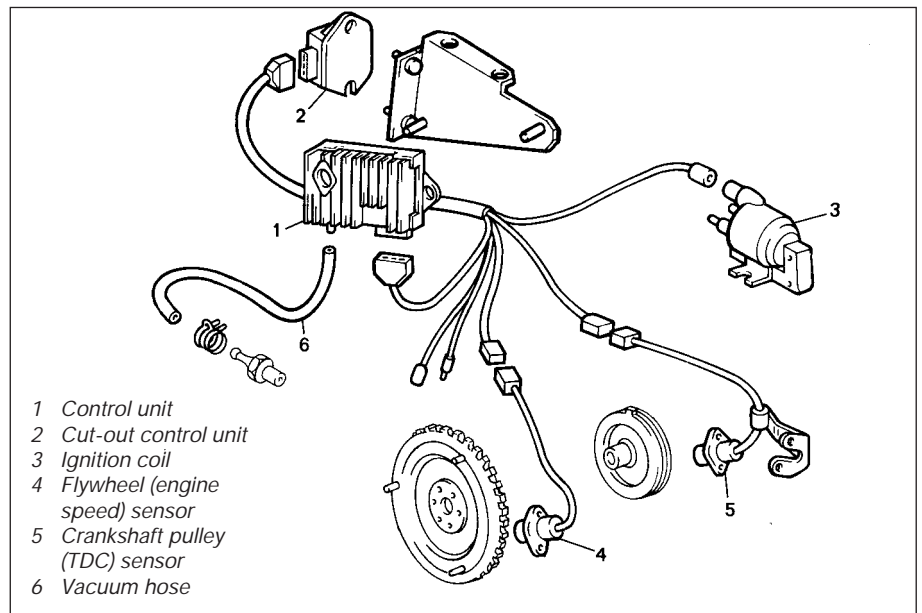


Fig. 4.7 Main components of Digiplex ignition system (Sec 9)

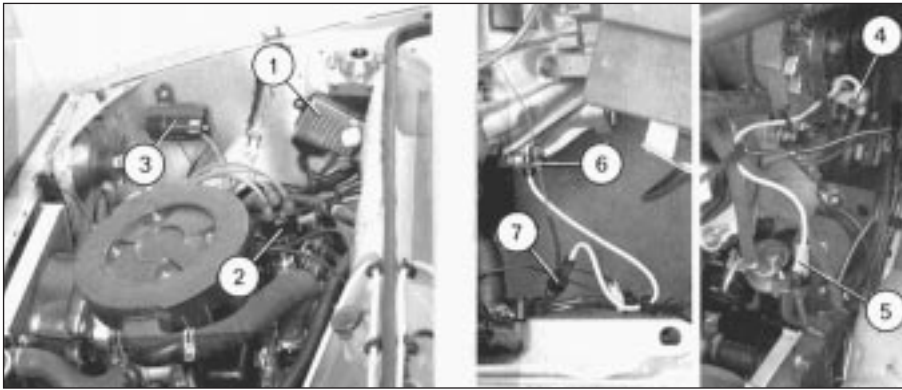


Fig. 4.8 Location of Digiplex ignition system components (Sec 9)

- | | | |
|-----------------|-------------------------|-------------------------|
| 1 Control unit | 4 TDC sensor | 6 Engine speed sensor |
| 2 Distributor | 5 Wiring connector plug | 7 Wiring connector plug |
| 3 Ignition coil | | |

important that the following precautions are observed.

- 3 Never start the engine if the battery leads are loose.
- 4 Do not stop the engine by pulling off a battery lead.
- 5 Remove the control unit if ambient temperature (paint drying oven) is above 80°C (176°F).
- 6 Never connect or disconnect the multi-plug at the control unit unless the ignition is switched off.
- 7 Disconnect the battery negative lead before carrying out electric body welding.

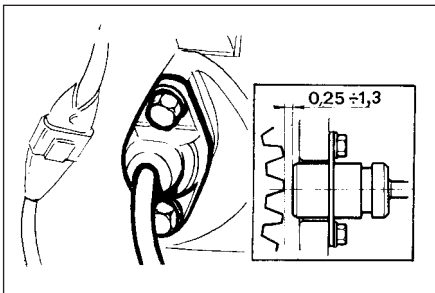


Fig. 4.10 Engine speed sensor gap (Sec 10)

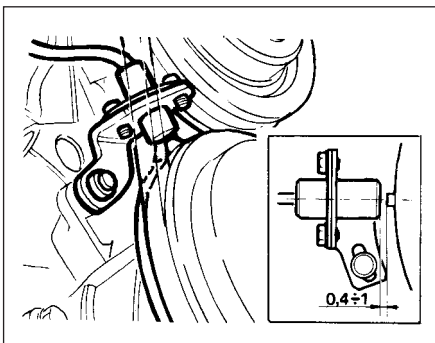


Fig. 4.11 TDC sensor gap (Sec 10)

10 Digiplex (electronic) ignition - checks and adjustments

1 Without special equipment, any work on the system components should be restricted to the following.

Engine speed sensor

2 The gap between the sensor and the teeth of the flywheel should be between 0.25 and 1.3 mm (0.0099 to 0.0512 in). Any deviation will be due to mechanical damage to the sensor, no adjustment being possible.

TDC sensor

3 The gap between the sensor and one of the TDC reference marks on the crankshaft pulley should be between 0.4 and 1.0 mm (0.016 to 0.039 in).

4 Any deviation will be due to the sensor plate becoming loose. To reposition it will necessitate setting No. 1 piston at TDC which can only be carried out accurately by your dealer using special tools.



Fig. 4.12 Test lamp connected between terminals 11 and 9 of control unit multi-plug (Sec 10)

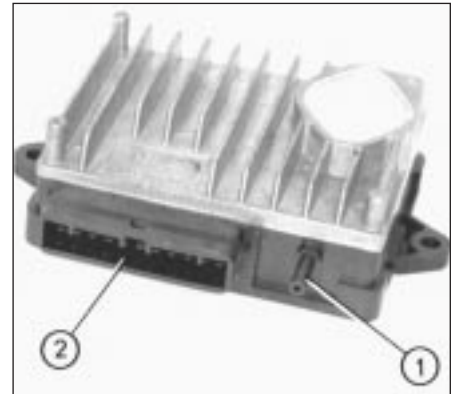


Fig. 4.9 Digiplex control unit (Sec 9)

- 1 Vacuum hose connector
- 2 Multi-plug socket

Supply circuit and continuity of coil primary winding

5 Connect a test lamp between contacts 11 and 9 of the multi-plug having first pulled it from the control unit.

6 Switch on the ignition, the test lamp should come on. If it does not, either the connection at the positive pole of the control unit or the coil primary winding is open.

Control unit earth

7 Connect a test lamp between contacts 8 and 9 of the multi-plug having first pulled it from the control unit. Switch on the ignition, the test lamp should come on. If it does not, improve the earth connection.

11 Spark plugs

1 The correct functioning of the spark plugs is vital for the correct running and efficiency of the engine. It is essential that the plugs fitted are appropriate for the engine, and the suitable type is specified at the beginning of this chapter. If



Fig. 4.13 Test lamp connected between terminals 8 and 9 of control unit multi-plug (Sec 10)

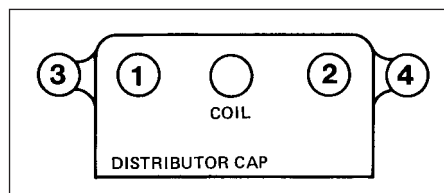


Fig. 4.14 Spark plug connections on 903 cc engine (Sec 11)

this type is used and the engine is in good condition, the spark plugs should not need attention between scheduled replacement intervals. Spark plug cleaning is rarely necessary and should not be attempted unless specialised equipment is available as damage can easily be caused to the firing ends.

2 At the specified intervals, the plugs should be renewed. The condition of the spark plug will also tell much about the overall condition of the engine.

3 If the insulator nose of the spark plug is clean and white, with no deposits, this is indicative of a weak mixture, or too hot a plug. (A hot plug transfers heat away from the electrode slowly - a cold plug transfers it away quickly.)

4 If the tip of the insulator nose is covered with sooty black deposits, then this is indicative that the mixture is too rich. Should the plug be black and oily, then it is likely that the engine is fairly worn, as well as the mixture being too rich.

5 The spark plug gap is of considerable importance, as, if it is too large or too small the size of the spark and its efficiency will be seriously impaired. The spark plug gap should be set to the gap shown in the Specifications for the best results.

6 To set it, measure the gap with a feeler gauge, and then bend open, or close, the outer plug electrode until the correct gap is achieved. The centre electrode should never be bent as this may crack the insulation and cause plug failure, if nothing worse.

7 When fitting new plugs, check that the plug seats in the cylinder head are quite clean. Refit the leads from the distributor in the correct firing order, which is 1-3-4-2; No 1

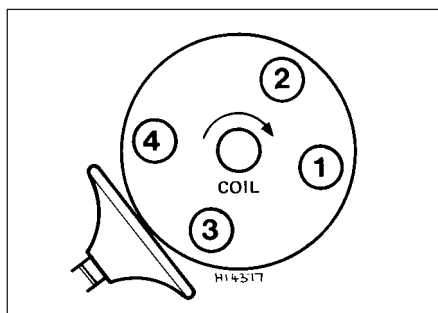


Fig. 4.15 Spark plug connections on 1116 cc and 1301 cc engines (Sec 11)

cylinder being the one nearest the flywheel housing (903 cc) or timing belt (1116 or 1301 cc). The distributor cap is marked with the HT lead numbers to avoid any confusion. Simply connect the correctly numbered lead to its respective spark plug terminal (photo).



11.7 Distributor cap HT lead markings

12 Ignition switch - removal and refitting

1 Access to the steering column lock/ignition switch is obtained after removing the steering wheel and column shrouds (Chapter 10) and the column switch unit (Chapter 9).

2 In the interest of safety, disconnect the battery negative lead and the ignition switch wiring plug (photo).

3 Insert the ignition key and turn to the STOP position (photo).

4 Pull the two leads from the switch.

5 Turn the ignition key to MAR.

6 Using a screwdriver depress the retaining tabs (1) (Fig. 4.16) and release the ignition switch.

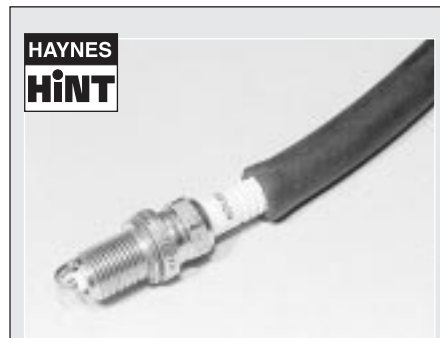
7 Set the switch cam (2) so that the notches (3) are in alignment.

8 Insert the switch into the steering lock and engage the retaining tabs.

9 Turn the ignition key to STOP and connect the two leads.

10 Reconnect the battery and refit the steering wheel, switch and shrouds.

11 Removal and refitting of the steering



It's often difficult to insert spark plugs into their holes without cross-threading them. To avoid this possibility, fit a short piece of rubber hose over the end of the spark plug. The flexible hose acts as a universal joint, to help align the plug with the plug hole. Should the plug begin to cross-thread, the hose will slip on the spark plug, preventing thread damage.

column lock is described in Chapter 10.
Note: The ignition key is removable when set to the STOP position and all electrical circuits will be off. If the interlock button is pressed, the key can be turned to the PARK position in order that the parking lamps can be left on and the steering lock engaged, but the key can be withdrawn.



12.2 Ignition switch and lock



12.3 Ignition key positions

- | | |
|----------------------------|------------------|
| 1 AVV (Start) | 3 Stop (Lock) |
| 2 Park (Parking lights on) | 4 MAR (Ignition) |

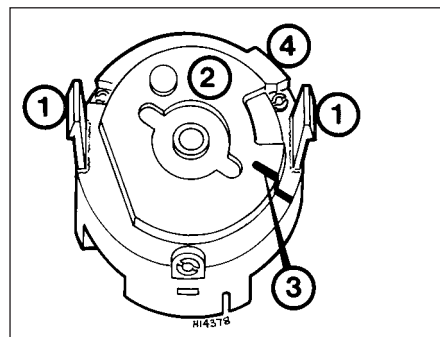


Fig. 4.16 Typical ignition switch (Sec 12)

- | | |
|------------------|-----------------------|
| 1 Retaining tabs | 3 Alignment notches |
| 2 Switch cam | 4 Locating projection |

Fault finding - mechanical breaker ignition system

Engine fails to start

- Loose battery connections
- Discharged battery
- Oil in contact points
- Disconnected ignition leads
- Faulty condenser

Engine overheats, lacks power

- Seized distributor weights
- Perforated vacuum pipe
- Incorrect ignition timing

Engine starts and runs but misfires

- Faulty spark plug
- Cracked distributor cap
- Cracked rotor arm
- Worn advance mechanism
- Incorrect spark plug gap
- Incorrect contact points gap
- Faulty condenser
- Faulty coil
- Incorrect timing
- Poor engine/transmission earth connections

Fault finding - Digiplex (electronic) ignition system

Engine fails to start

- Excessive gap on TDC sensor
- TDC or engine speed sensor short circuited or earthed
- Defective ignition control unit
- Control unit multi-plug contacts corroded
- Defective coil

Engine lacks power, high fuel consumption

- Incorrect ignition advance
- TDC sensor incorrectly set
- Distributor vacuum hose blocked






Chapter 8 Braking system

For modifications, and information applicable to later models, see Supplement at end of manual

Contents

Brake disc - inspection, renovation or renewal	6	Hydraulic system - bleeding	12
Brake drum - inspection, renovation or renewal	8	Maintenance	2
Brake pedal - removal and refitting	18	Master cylinder - removal, overhaul and refitting	9
Caliper - removal, overhaul and refitting	5	Pressure regulating valve	10
Disc pads - inspection and renewal	3	Rear brake shoes - inspection and removal	4
Fault finding - braking system	See end of Chapter	Rear wheel cylinder - removal, overhaul and refitting	7
General description	1	Stop lamp switch	19
Handbrake - adjustment	16	Vacuum servo unit - description	13
Handbrake cable - renewal	17	Vacuum servo unit - removal and refitting	15
Hydraulic hoses and pipes - inspection and renewal	11	Vacuum servo unit - servicing and testing	14

Degrees of difficulty

Easy , suitable for novice with little experience 	Fairly easy , suitable for beginner with some experience 	Fairly difficult , suitable for competent DIY mechanic 	Difficult , suitable for experienced DIY mechanic 	Very difficult , suitable for expert DIY or professional 
---	--	--	---	--

Specifications

System type	Dual-circuit hydraulic with servo unit and pressure regulating valve. Discs front, drums rear. Handbrake mechanical to rear wheels.	
Disc brakes		
Type	Single cylinder, sliding caliper	
Disc diameter	227.0 mm (8.94 in)	
Disc thickness	10.7 to 10.9 mm (0.42 to 0.43 in)	
Minimum regrind thickness	9.0 mm (0.35 in)	
Minimum wear thickness of pad friction material	1.5 mm (0.06 in)	
Caliper cylinder diameter	48.0 mm (1.89 in)	
Drum brakes		
Type	Single cylinder, with automatic adjusters	
Drum internal diameter	185.24 to 185.53 mm (7.30 to 7.31 in)	
Maximum regrind diameter	187.0 mm (7.37 in)	
Minimum shoe lining friction material thickness	1.5 mm (0.06 in)	
Cylinder diameter	19.05 mm (0.75 in)	
Master cylinder bore diameter	19.05 mm (0.75 in)	
Vacuum servo diameter	158.5 mm (6.0 in)	
Hydraulic fluid type/specification	Hydraulic fluid to DOT 3 or 4, or SAE J1703C	
System capacity	0.33 litre (0.58 pint)	
Torque wrench settings	Nm	lbf ft
Caliper mounting bracket bolts	53	39
Rear wheel cylinder mounting bolts	10	7
Pressure regulating valve mounting bolts	20	15
Master cylinder mounting nuts	25	18
Rear brake backplate bolts	20	15

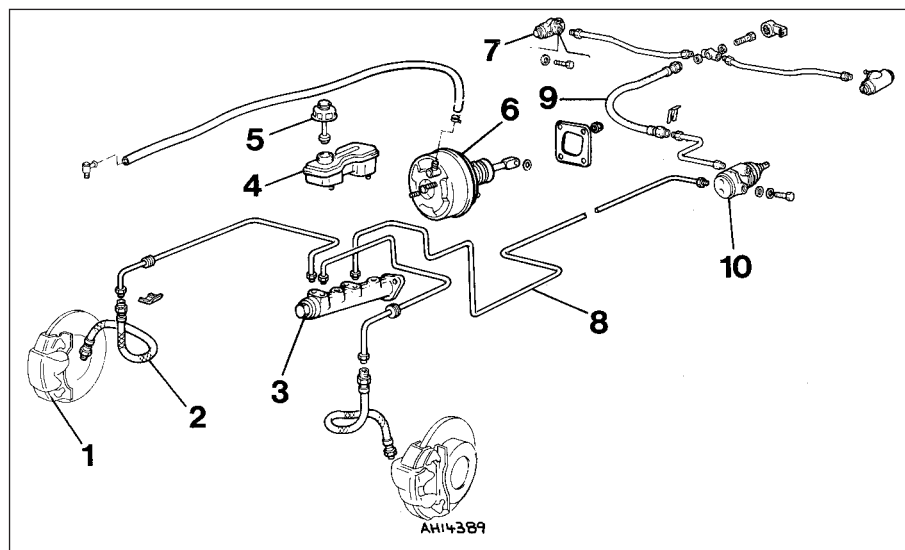


Fig. 8.1 Components of the braking system (LHD shown) (Sec 1)

- | | | |
|-------------------|------------------------------|------------------------------|
| 1 Caliper | 5 Cap and fluid level sensor | 8 Pipeline |
| 2 Hose | 6 Vacuum servo unit | 9 Hose |
| 3 Master cylinder | 7 Rear wheel cylinder | 10 Pressure regulating valve |
| 4 Fluid reservoir | | |

2 Maintenance

1 At the weekly service check, inspect the fluid level in the master cylinder reservoir. Topping up should only be required at very infrequent intervals and should only be necessary owing to the need for extra fluid in the hydraulic system caused by wear of the friction material of the disc pads and shoe linings.

2 The need for frequent or regular topping up will be due to a leak in the system, probably from a hydraulic cylinder seal or a flexible hose. Correct the problem immediately.

3 Use only clean new fluid for topping up. It must be of the specified type and have been stored in a closed container and not have been shaken for at least 24 hours (photo).

4 At regular intervals, check the hoses and pipelines for condition. Adjust the handbrake if the lever travel becomes excessive. Check the condition and security of the brake servo vacuum hose. All these operations are described later in this Chapter.

1 General description

The braking system is of four wheel hydraulic type with discs on the front wheels and drums on the rear.

The hydraulic system is of dual-circuit type and incorporates a pressure regulator valve to limit pressure to the rear brakes during heavy braking to prevent rear wheel lock up.

A vacuum servo unit is fitted to some models.

The handbrake is mechanically operated on the rear wheels.

3 Disc pads - inspection and renewal

1 Jack up the front of the car and remove the roadwheels.

2 Extract the spring clips and slide out the locking blocks (photos).

3 On SX versions, carefully disconnect the wear sensor lead connecting plug.

4 Lift the caliper body from the disc and inspect the thickness of the friction material on each pad (photo). If it is 1.5 mm (0.06 in) or less, renew the pads.

5 Withdraw the pads and the anti-rattle springs.

6 Brush away any dust and dirt from the caliper, taking care not to inhale the dust - this contains asbestos and is thus potentially injurious to health.

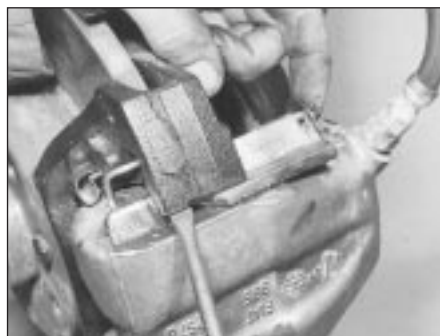
7 As the new pads are thicker than the old ones, the caliper piston must be depressed



2.3 Fluid reservoir cap and float for warning switch



3.2A Removing a disc pad locking block clip



3.2B Removing a locking block



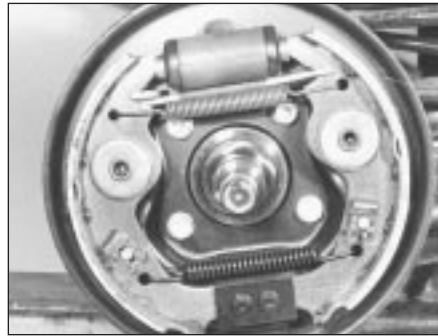
3.4 Removing the caliper unit



3.8A Disc pad and anti-rattle spring



3.8B Cylinder body located on caliper bracket



4.7 Rear brake assembly



4.11 Rear hub showing cut-outs on rear face for shoe self-adjuster bosses

into its cylinder to accommodate them. This will cause the fluid level to rise in the reservoir. Anticipate this by syphoning some out beforehand, but take care not to let it drip onto the paintwork - it acts as an effective paint stripper!

8 Refit the anti-rattle springs, the pads (friction lining-to-disc), the cylinder body, the locking blocks and their retaining clips (photos).

9 Refit the roadwheel and apply the footbrake hard, several times, to bring the pads into contact with the brake disc.

10 Renew the pads on the opposite brake. The pads should always be renewed in axle sets.

11 Top up the fluid reservoir.

4 Rear brake shoes - inspection and renewal



1 Jack up the rear of the car and remove the roadwheels.

2 Fully release the handbrake.

3 Unscrew and remove the drum securing bolts. One of these is a long locating spigot for the roadwheel.

4 Pull off the drum. If it is tight, clean off the rust at its joint with the hub flange, and apply a little penetrating fluid. Two bolts may be screwed into the drum securing bolt holes if necessary and the drum thus eased off the hub. The securing bolt holes are tapped for this purpose.

5 Brush away all the dust and dirt from the shoes and operating mechanism, taking care not to inhale it.

6 The friction linings fitted as original equipment are of the bonded type and the rivet heads normally used as a guide to wear are not, of course, fitted. However, if the thickness of the friction linings is down to 1.5 mm (0.06 in) or less, the shoes must be renewed. Always purchase new or factory relined brake shoes.

7 Before removing the brake shoes, note the way in which the shoes are positioned, with respect to leading and trailing ends (the end of the shoe not covered by lining material).

Note also into which holes in the shoe web the return springs are connected. Sketch the shoes or mark the holes on the new shoes with quick drying paint if you are doubtful about remembering (photo).

8 Undo the steady springs by depressing and rotating their caps a quarter turn to disengage the slot from the pin. On later models a U-shaped steady spring is used. Depress and slide it out.

9 Rotate the hub until the cut-outs in its rear flange face are in alignment with the shoe self-adjusters.

10 Pivot the trailing shoe on the self-adjuster post and disengage the ends of the shoe from the slot in the wheel cylinder tappet and from the lower anchor block.

11 Work the shoe up the self-adjuster pivot post until the self-adjuster boss enters the cut-out in the hub flange. The shoe can now be withdrawn (photo).

12 Once off the self-adjuster post, the pull-off spring tension is eased, as the shoe can move towards the other, so the springs can be unhooked.

13 Remove the leading shoe in a similar way.

14 The new shoes will already be fitted with new self-adjusters.

15 Fit the new shoes to their self-adjuster posts, making sure that the handbrake shoe lever is correctly located. Engage the ends of the shoes.

16 Using a wooden or plastic-faced mallet, tap the shoes inwards against the friction of their self-adjuster coil springs. This will have

the effect of reducing the overall diameter of the shoes to facilitate fitting of the shoe return springs and to allow the brake drum to slide over them.

17 Using pliers, reconnect the upper (longer) and lower shoe return springs.

18 Hold the steady pins in position from the rear of the backplate. Fit the small coil springs and the retaining cap, again using pliers to grip the cap and to depress and turn it to engage the pin. On later models fit the U-shaped springs.

19 Before refitting the drum, clean it out and examine it for grooves or scoring (refer to Section 8).

20 Fit the drum and the roadwheel.

21 Apply the brakes two or three times to position the shoes close to the drum.

22 Renew the shoes on the opposite brake in a similar way.

23 The handbrake should be automatically adjusted by the action of the shoe adjuster. If the handbrake control lever has excessive travel, refer to Section 16 for separate adjusting instructions.

5 Caliper - removal, overhaul and refitting



Note: Purchase a repair kit in advance of overhaul.

1 Jack up the front roadwheel and remove it.
2 Brush away all dirt from the caliper

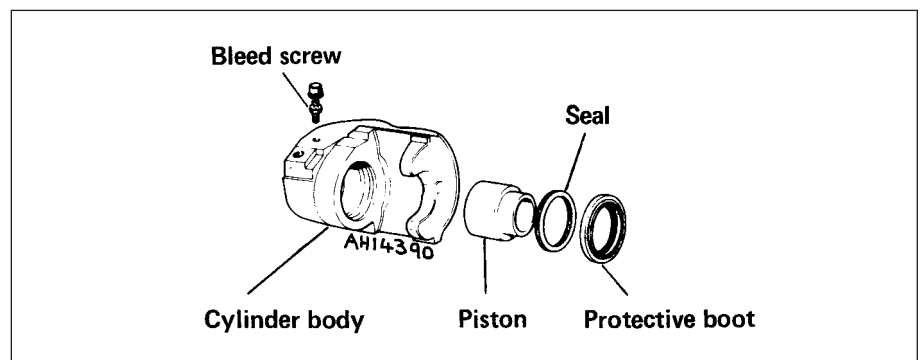


Fig. 8.2 Exploded view of caliper (Sec 5)

8•4 Braking system

assembly and the flexible pipe, particularly the fixing bracket and union at the car end of the flexible pipe.

3 Have ready a container suitable to catch the brake fluid, and sheets of clean newspaper on which to put parts.

4 Take out the spring clips and locking blocks, and take the caliper off the support bracket.

5 Disconnect the hydraulic flexible pipe at the under wing support bracket and cap both pipe ends. It may help to prevent loss of fluid if the vent in the reservoir cap is sealed with adhesive tape, to create a vacuum.

6 Remove the caliper to the bench or other work surface, and clean it thoroughly with hydraulic fluid or methylated spirit.

7 Depress the piston until the dust excluding boot can be removed.

8 Now apply air pressure to the flexible hose and eject the piston. Quite a low pressure is required for this, such as can be generated with a hand or foot operated pump.

9 Pick out the piston seal from its groove in the cylinder. Use a sharp probe, but take care to avoid scratching the cylinder bore.

10 Examine the surface of the piston and cylinder bore. If either is corroded, scored or shows metal-to-metal rubbed areas, the complete assembly should be renewed.

11 If the components are in good condition, discard the oil seals, clean the piston and cylinder and fit the new seal for the piston. This is included in the repair kit. Use the fingers only to manipulate it into its groove.

12 Lubricate the piston with clean hydraulic fluid and insert it partially into the cylinder.

13 Fit the new dust excluding boot to its projecting end, push the piston fully into the cylinder and engage the dust excluder with the rim of the cylinder.

14 Refit the caliper, reconnect the flexible hose, then bleed the front hydraulic circuit (refer to Section 12).

6 Brake disc - inspection, renovation or renewal



1 Whenever the front disc pads are being checked for wear, take the opportunity to inspect the discs for deep scoring or grooving. After a high mileage the disc may become reduced in thickness away from the extreme outer edge of the disc. If this wear is rapid, it is possible that the friction pads are of too hard a type.

2 If the disc has evidence of many tiny cracks, these may be caused by overheating due to a seized caliper piston in the "applied" position.

3 The foregoing conditions may be corrected by regrinding the disc provided that the thickness of the disc is not reduced below that specified by such action. Alternatively, fit a new disc.

4 To remove a disc, take off the caliper and

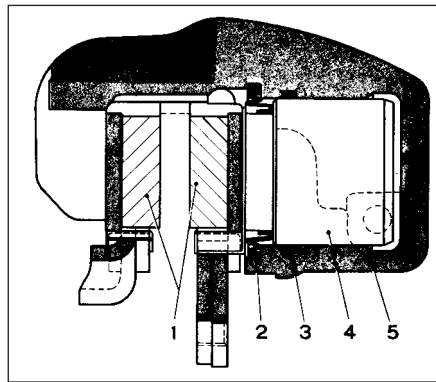


Fig. 8.3 Sectional view of caliper (Sec 5)

- | | |
|-----------------|-----------------|
| 1 Pads | 4 Piston |
| 2 Dust excluder | 5 Cylinder body |
| 3 Piston seal | |

pads as described in Sections 3 and 5. Tie the caliper up, out of the way.

5 Knock back the tabs of the lockplates and unbolt the caliper support bracket from the hub carrier.

6 Unscrew and remove the two bolts which hold the disc assembly to the hub. One of these bolts is for wheel locating purposes.

7 Pull the disc from the hub.

8 Refitting is a reversal of the removal process. If the disc has excessive run-out, repositioning it in relation to the hub may bring it within tolerance by cancelling out the run-out characteristics in the hub and disc, once the most suitable fitted position has been found.

7 Rear wheel cylinder - removal, overhaul and refitting



Note: Purchase a repair kit in advance of overhaul.

1 If fluid seepage is observed from the ends of the rear wheel cylinder when the brake drum has been removed, the seals are leaking and immediate action must be taken.

2 Although the cylinder can be dismantled without taking it from the backplate, this is not recommended due to the possibility of under wing dirt and mud dropping onto the components as work proceeds.

3 Remove the brake shoes, as described in Section 4.

4 Disconnect the hydraulic line from the wheel cylinder and cap the open end of the pipe. It may help to reduce the loss of fluid if the vent hole in the reservoir cap is taped over to create a vacuum.

5 Unscrew and remove the setscrews which hold the cylinder to the backplate and withdraw the cylinder. Prise off the rubber dust excluding boots.

6 Apply gentle air pressure from a hand or foot operated pump to eject the pistons and spring. Alternatively, tap the end of the cylinder on a piece of hardwood and the pistons should move out.

7 Inspect the piston and cylinder bore surfaces for scoring, corrosion or evidence of metal-to-metal rubbing areas. If these are found, discard the assembly and purchase a new one.

8 If the components are in good condition, note which way round the lips are fitted, then discard the seals and boots and wash the pistons and cylinder bore in clean hydraulic fluid or methylated spirit.

9 Manipulate the new seals into position, using the fingers only for this job.

10 Dip the pistons in clean hydraulic fluid and insert them with the coil spring and washers into the cylinder.

11 Fit the new dust excluding boots.

12 Refit the wheel cylinder to the backplate, reconnect the hydraulic pipe, then refit the shoes, the drum and the roadwheel.

13 Bleed the rear hydraulic circuit as described in Section 12.

8 Brake drum - inspection, renovation or renewal



1 Whenever the rear brake linings are being checked for wear, take the opportunity to inspect the internal surfaces of the brake drums.

2 If the drums are grooved or deeply scored, they may be reground, provided that their new internal diameter will not then exceed the specified dimension. If it will, or the drum is cracked, it must be renewed.

3 Removal and refitting of a brake drum is described in Section 4.

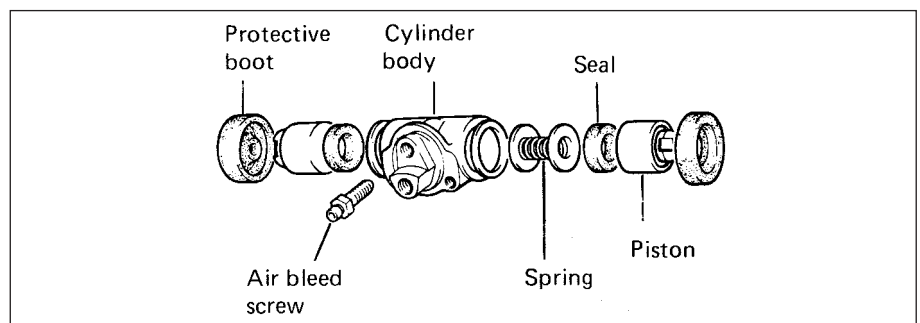


Fig. 8.4 Exploded view of a rear wheel cylinder (Sec 7)

9 Master cylinder - removal, overhaul and refitting



Note: Purchase a repair kit in advance of overhaul.

1 The master cylinder is mounted on the front face of the brake vacuum servo unit (55 and 70 models) or directly to the bulkhead (45 models).

2 Cover the front wings with polythene sheeting or similar material, in case hydraulic fluid spills onto the paintwork of the car during removal of the cylinder.

3 Detach the leads from the terminals on the reservoir cap, then unscrew and remove the cap and float.

4 Unscrew the pipe unions and prise the pipes carefully away from the master cylinder. Cap the open ends of the pipes and catch any fluid leaking from the master cylinder in a suitable container.

5 Unscrew the mounting nuts and withdraw the master cylinder from the bulkhead or from the servo unit.

6 Clean away all external dirt and tip out the fluid from the reservoir and cylinder body.

7 The fluid reservoirs need not be removed from the master cylinder but if they are, renew the rubber sealing collars when refitting.

8 Grip the master cylinder in a vice, then unscrew and remove the end plug. Catch the coil spring.

9 Using a thin rod, apply pressure to the end of the primary piston then unscrew and remove the two stop bolts and sealing washers.

10 The internal piston assemblies with seals and springs can now be pushed out of the cylinder body. Keep all the components in

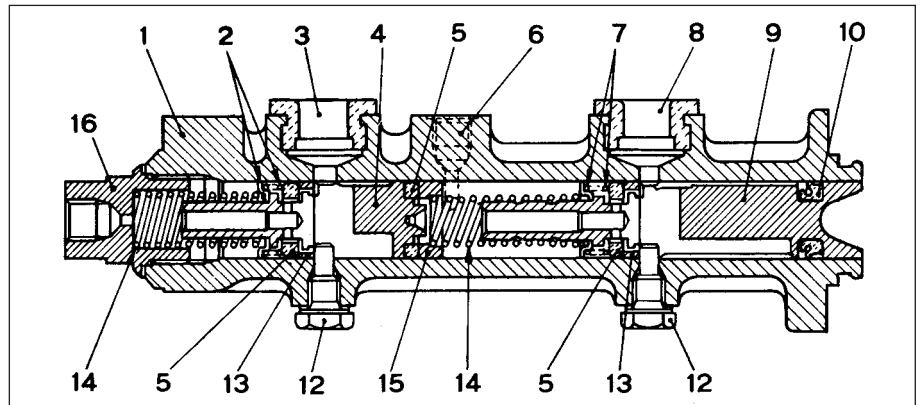


Fig. 8.5 Sectional view of master cylinder (Sec 9)

- | | | |
|--------------------------------|------------------------|---|
| 1 Cylinder body | 7 Spring and cup | 13 Spacer |
| 2 Spring and cup | 8 Inlet from reservoir | 14 Springs |
| 3 Inlet from reservoir | 9 Primary piston | 15 Seal |
| 4 Secondary piston | 10 Seal | 16 End plug and fluid outlet to rear brakes |
| 5 Seal | 12 Stop bolts | |
| 6 Fluid outlet to front brakes | | |

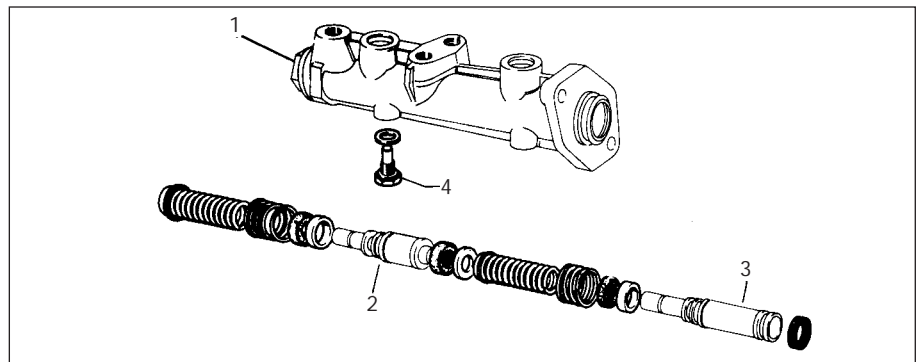


Fig. 8.6 Exploded view of master cylinder (Sec 9)

- | | | | |
|-----------------|--------------------|------------------|-------------|
| 1 Cylinder body | 2 Secondary piston | 3 Primary piston | 4 Stop bolt |
|-----------------|--------------------|------------------|-------------|

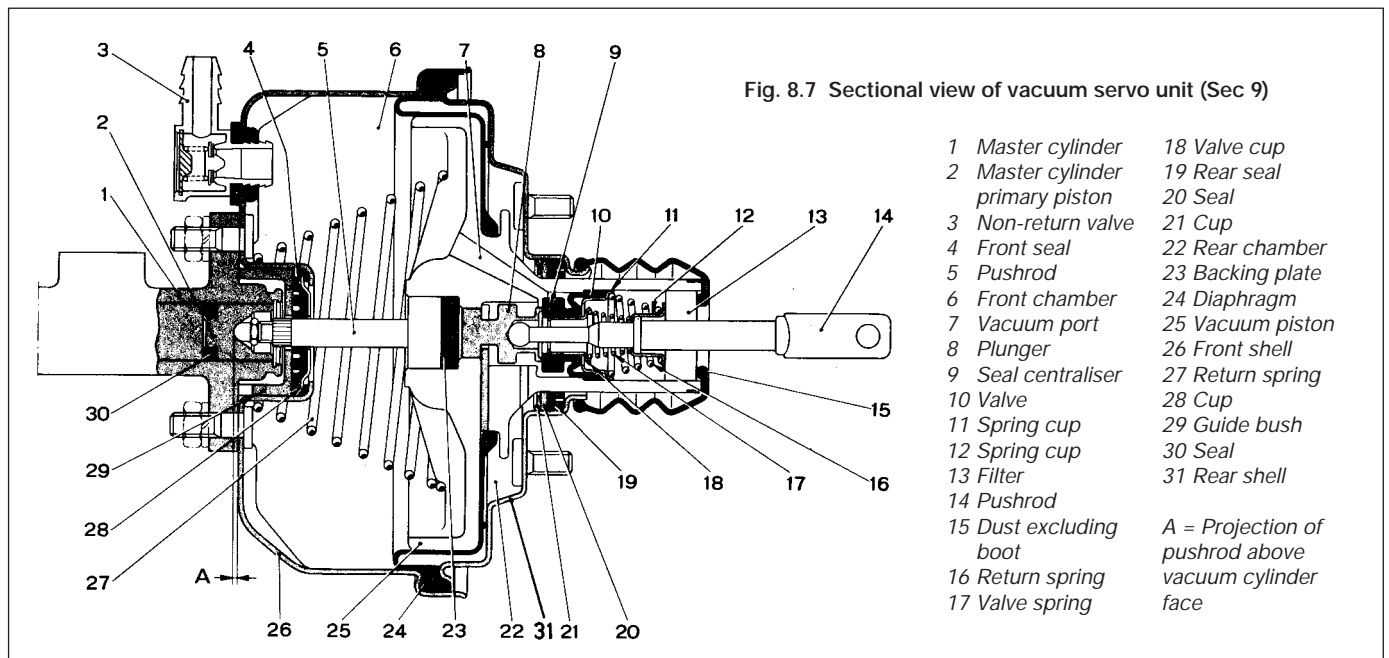


Fig. 8.7 Sectional view of vacuum servo unit (Sec 9)

- | | |
|----------------------------------|------------------|
| 1 Master cylinder | 18 Valve cup |
| 2 Master cylinder primary piston | 19 Rear seal |
| 3 Non-return valve | 20 Seal |
| 4 Front seal | 21 Cup |
| 5 Pushrod | 22 Rear chamber |
| 6 Front chamber | 23 Backing plate |
| 7 Vacuum port | 24 Diaphragm |
| 8 Plunger | 25 Vacuum piston |
| 9 Seal centraliser | 26 Front shell |
| 10 Valve | 27 Return spring |
| 11 Spring cup | 28 Cup |
| 12 Spring cup | 29 Guide bush |
| 13 Filter | 30 Seal |
| 14 Pushrod | 31 Rear shell |
| 15 Dust excluding boot | |
| 16 Return spring | |
| 17 Valve spring | |
- A = Projection of pushrod above vacuum cylinder face



10.4 Pressure regulating valve bracket and tension spring

their originally fitted sequence and note in which direction the seal lips are located.

11 Inspect the surfaces of the piston and cylinder bore. If scoring, corrosion or metal-to-metal rubbing areas are evident, renew the master cylinder complete.

12 If the components are in good condition, discard the oil seals and manipulate the new ones into position, using the fingers only.

13 Refit by reversing the removal operations; apply pressure to the piston ends so that the stop bolts can be fitted, then tighten the end plug. Make sure that the grooves in the pistons engage in the stop bolts.

14 Before refitting the master cylinder to the servo, measure the projection of the servo piston pushrod. When the master cylinder is fitted, there must be a clearance (see A in Fig. 8.7) between the end of the pushrod and the primary piston end face of between 0.825 and 1.025 mm (0.03 and 0.04 in). A depth gauge will be required for these measurements, the reference point being the mating surfaces of the master cylinder and the vacuum servo.

15 Alter the adjusting screw on the servo as necessary and lock it by applying locking fluid to the threads on completion.

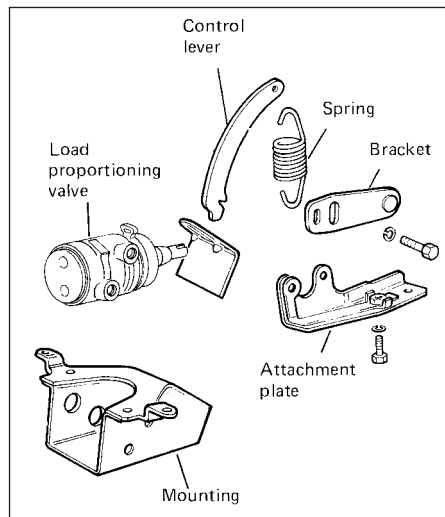


Fig. 8.9 Components of the pressure regulating valve (Sec 10)

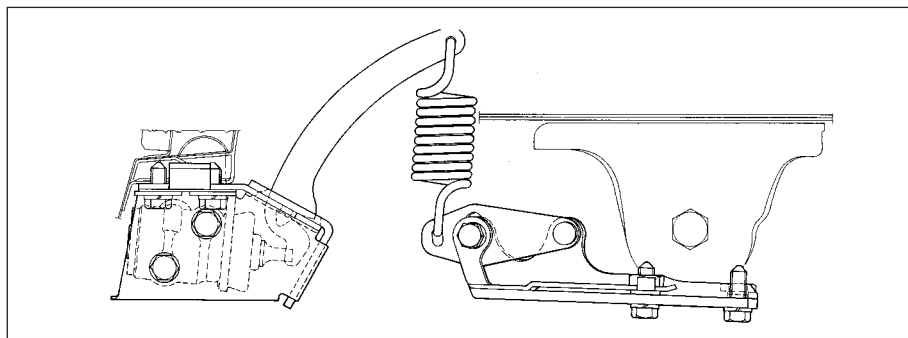


Fig. 8.8 Pressure regulating valve (Sec 10)

16 Bolt the master cylinder to the vacuum servo or bulkhead, then reconnect the pipelines and reservoir cap leads.

17 Bleed the complete hydraulic system, as described in Section 12.

10 Pressure regulating valve



1 The pressure regulating valve is a load proportioning valve which restricts the hydraulic pressure to the rear brakes according to car weight during heavy applications of the brake pedal. This prevents the rear wheels locking.

2 A faulty or non-operational valve should be renewed complete, no repair being possible.

3 To remove the valve, unscrew the pipe unions and disconnect the hydraulic pipes from the valve. Cap the ends of the pipes to prevent loss of fluid.

4 Unbolt the valve mounting bracket, withdraw it and disconnect the tension spring (photo).

5 Refit the new valve and then adjust it in the following way.

6 Have the car standing on a level floor.

7 The car should be normally loaded (kerb weight) with fuel, oil, spare wheel etc. Load the luggage compartment immediately behind the seat back with:

65 kg (143 lbs) on three-door models or

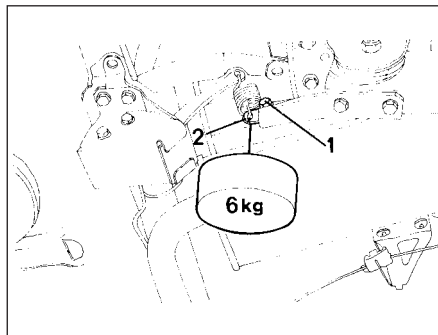


Fig. 8.10 Weight attachment point for pressure regulating valve adjustment (Sec 10)
1 Fixing bolt 2 Bracket eye

55 kg (121 lbs) on five-door models

8 Refer to Fig. 8.10 and slacken the valve bracket securing bolt (1).

9 Attach a 6.0 kg (13.2 lb) weight to the bracket eye (2) as shown and then tighten the bracket securing bolt.

10 Bleed the braking system if a new valve has been fitted. Bleeding will not of course be required if only adjustment has been carried out to an existing valve.

11 Hydraulic hoses and pipes - inspection and renewal



Flexible hoses

1 Periodically, all brake pipes, pipe connections and unions should be completely and carefully examined.

2 First examine for signs of leakage where the pipe unions occur. Then examine the flexible hoses for signs of chafing and fraying and, of course, leakage. This is only a preliminary part of the flexible hose inspection, as exterior condition does not necessarily indicate the interior condition, which will be considered later.

3 Flexible hoses are always mounted at both ends in a rigid bracket attached to the body or a sub-assembly. To remove them, it is necessary first of all to unscrew the pipe unions of the rigid pipes which go into them.

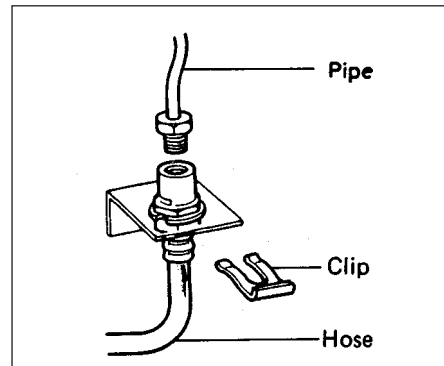


Fig. 8.11 Typical hydraulic hose connection (Sec 11)



11.3 Front hydraulic hose bracket

The hose ends can then be unclipped from the brackets. The mounting brackets, particularly on the body frame, are not very heavy gauge and care must be taken not to wrench them off (photo).

4 With the flexible hose removed, examine the internal bore. If it is blown through first, it should be possible to see through it. Any specks of rubber which come out, or signs of restriction in the bore, mean that the inner lining is breaking up and the pipe must be renewed.

5 When refitting the flexible hoses check they cannot be under tension, or rub, when the wheels are at the full range of suspension or steering movement.

6 Bleed the system (see Section 12) on completion.

Rigid pipes

7 Inspect the condition of the braking system rigid pipelines at frequent intervals. They must be cleaned off and examined for any signs of dents (or other percussive damage) and rust and corrosion. Rust and corrosion should be scraped off and, if the depth of pitting in the pipes is significant, they will need renewal. This is particularly likely in those areas underneath the car body and along the rear axle where the pipes are exposed to the full force of road and weather conditions.

8 Rigid pipe removal is usually straightforward. The unions at each end are undone, the pipe and union pulled out, and the centre sections of the pipe removed from the body clips where necessary. Underneath the car, exposed unions can sometimes be very tight. As one can use only an open-ended spanner and the unions are not large, burring of the flats is not uncommon when attempting to undo them. For this reason, a self-locking grip wrench (Mole) is often the only way to remove a stubborn union.

9 Rigid pipes which need renewal can usually be purchased at any garage where they have the pipe, unions and special tools to make them up. All they need to know is the total length of the pipe, the type of flare used at each end with the union, and the length and thread of the union. Fiat is metric, remember.

10 Fitting your new pipes is a straightforward

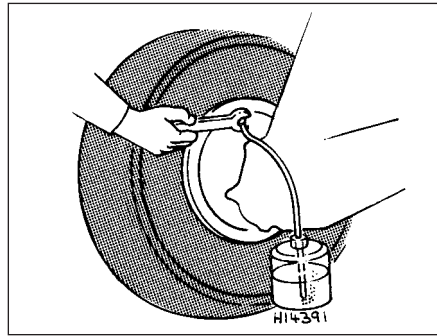


Fig. 8.12 Bleeding a rear wheel cylinder (Sec 12)

reversal of the removal procedure. If the rigid pipes have been made up, it is best to get all the sets bends in them before trying to fit them. Also, if there are any acute bends ask your supplier to put these in for you on a tube bender. Otherwise, you may kink the pipe and thereby restrict the bore area and fluid flow.

11 Bleed the system (see Section 12) on completion.

12 Hydraulic system - bleeding

1 If the master cylinder or the pressure regulating valve has been disconnected and reconnected then the complete system (both circuits) must be bled.

2 If a component of one circuit has been disturbed then only that particular circuit need be bled.

3 The two disc brakes comprise the front circuit and the two rear brakes the rear circuit.

4 Unless the pressure bleeding method is being used, do not forget to keep the fluid level in the master cylinder reservoir topped up to prevent air from being drawn into the system which would make any work done worthless.

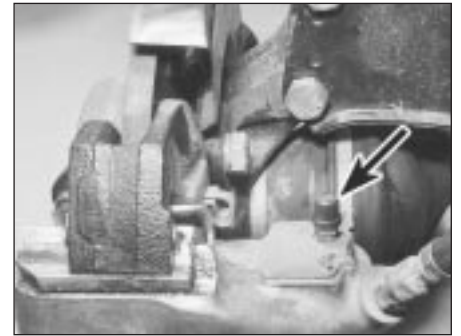
5 Before commencing operations, check that all system hoses and pipes are in good condition with all unions tight and free from leaks.

6 Take great care not to allow hydraulic fluid to come into contact with the vehicle paintwork as it is an effective paint stripper. Wash off any spilled fluid immediately with cold water.

7 As the system on 55 and 70 models incorporates a vacuum servo, destroy the vacuum by giving several applications of the brake pedal in quick succession. The car should be loaded with enough weight to actuate the pressure regulating valve before bleeding commences.

Bleeding - two man method

8 Gather together a clean glass jar and a length of rubber or plastic tubing which will be a tight fit on the brake bleed screws (photo).



12.8 Caliper bleed screw with dust cap fitted

9 Engage the help of an assistant.

10 Push one end of the bleed tube onto the first bleed screw and immerse the other end of the glass jar which should contain enough hydraulic fluid to cover the end of the tube.

11 Open the bleed screw one half a turn and have your assistant depress the brake pedal fully then slowly release it. Tighten the bleed screw at the end of each pedal downstroke to obviate any chance of air or fluid being drawn back into the system.

12 Repeat this operation until clean hydraulic fluid, free from air bubbles, can be seen coming through into the jar.

13 Tighten the bleed screw at the end of a pedal downstroke and remove the bleed tube. Bleed the remaining screws in a similar way.

Bleeding - using a one way valve kit

14 There are a number of one-man, one-way brake bleeding kits available from motor accessory shops. It is recommended that one of these kits is used wherever possible as it will greatly simplify the bleeding operation and also reduce the risk of air or fluid being drawn back into the system quite apart from being able to do the work without the help of an assistant.

15 To use the kit, connect the tube to the bleedscrew and open the screw one half a turn.

16 Depress the brake pedal fully and slowly release it. The one-way valve in the kit will prevent expelled air from returning at the end of each pedal downstroke. Repeat this operation several times to be sure of ejecting all air from the system. Some kits include a translucent container which can be positioned so that the air bubbles can actually be seen being ejected from the system.

17 Tighten the bleed screw, remove the tube and repeat the operations on the remaining brakes.

18 On completion, depress the brake pedal. If it still feels spongy repeat the bleeding operations as air must still be trapped in the system.

Bleeding - using a pressure bleeding kit

19 These kits too are available from motor accessory shops and are usually operated by air pressure from the spare tyre.

8•8 Braking system

20 By connecting a pressurised container to the master cylinder fluid reservoir, bleeding is then carried out by simply opening each bleed screw in turn and allowing the fluid to run out, rather like turning on a tap, until no air is visible in the expelled fluid.

21 By using this method, the large reserve of hydraulic fluid provides a safeguard against air being drawn into the master cylinder during bleeding which often occurs if the fluid level in the reservoir is not maintained.

22 Pressure bleeding is particularly effective when bleeding "difficult" systems or when bleeding the complete system at time of routine fluid renewal.

All methods

23 When bleeding is completed, check and top up the fluid level in the master cylinder reservoir.

24 Check the feel of the brake pedal. If it feels at all spongy, air must still be present in the system and further bleeding is indicated. Failure to bleed satisfactorily after a reasonable period of the bleeding operation, may be due to worn master cylinder seals.

25 Discard brake fluid which has been expelled. It is almost certain to be contaminated with moisture, air and dirt making it unsuitable for further use. Clean fluid should always be stored in an airtight container as it absorbs moisture readily (hygroscopic) which lowers its boiling point and could affect braking performance under severe conditions.

13 Vacuum servo unit - description

A vacuum servo unit is fitted into the brake hydraulic circuit on 55 and 70 models in series with the master cylinder, to provide assistance to the driver when the brake pedal is depressed. This reduces the effort required by the driver to operate the brakes under all braking conditions.

The unit operates by vacuum obtained from the induction manifold and comprises basically a booster diaphragm and non-return valve. The servo unit and hydraulic master cylinder are connected together so that the servo unit piston rod acts as the master cylinder pushrod. The driver's braking effort is transmitted through another pushrod to the servo unit piston and its built-in control system. The servo unit piston does not fit tightly into the cylinder, but has a strong diaphragm to keep its edges in constant contact with the cylinder wall, so assuring an air tight seal between the two parts. The forward chamber is held under vacuum conditions created in the inlet manifold of the engine and, during periods when the brake pedal is not in use, the controls open a passage to the rear chamber so placing it under vacuum conditions as well. When the brake pedal is depressed, the vacuum passage

to the rear chamber is cut off and the chamber opened to atmospheric pressure. The consequent rush of air pushes the servo piston forward in the vacuum chamber and operates the main pushrod to the master cylinder.

The controls are designed so that assistance is given under all conditions and, when the brakes are not required, vacuum in the rear chamber is established when the brake pedal is released. All air from the atmosphere entering the rear chamber is passed through a small air filter.

Under normal operating conditions, the vacuum servo unit is very reliable and does not require overhaul except at very high mileages. In this case, it is far better to obtain a service exchange unit, rather than repair the original unit.

It is emphasised that the servo unit assists in reducing the braking effort required at the foot pedal and in the event of its failure, the hydraulic braking system is in no way affected except that the need for higher pressures will be noticed.

14 Vacuum servo unit - servicing and testing

1 Regularly, check that the vacuum hose which runs between the servo unit and the inlet manifold is in good condition and is a tight fit at both ends.

2 If broken or badly clogged, renew the air filter which is located around the brake pedal push rod. Access to this is obtained by disconnecting the pushrod from the cross-shaft or pedal arm, withdrawing the pushrod, dust excluding boot and end cap.

3 If the new filter is cut diagonally from its centre hole, future renewal can be carried out without the need for disconnection of the pushrod.

4 If the efficiency of the servo unit is suspect, it can be checked out in the following way.

5 Run the engine, then switch off the ignition. Depress the footbrake pedal; the distinctive in-rush of air into the servo should be clearly heard. It should be possible to repeat this operation several times before the vacuum in the system is exhausted.

6 Start the engine and have an assistant apply the footbrake pedal and hold it down. Disconnect the vacuum hose from the servo. There should not be any in-rush of air into the servo through the connecting stub. If there is, the servo diaphragm is probably faulty. During this test, expect the engine to idle roughly, unless the open end of the hose to the inlet manifold is plugged. Reconnect the hose.

7 With the engine off, depress the brake pedal fully. Start the engine with the brake pedal still depressed; the pedal should be felt to go down fractionally.

8 If the results of these tests are not satisfactory, remove the unit and fit a new one as described in the next Section.

15 Vacuum servo unit - removal and refitting



1 Syphon as much fluid as possible out of the master cylinder reservoir.

2 Disconnect electrical leads from the terminals in the reservoir cap then uncouple the rigid pipelines from the master cylinder body. Be prepared to catch leaking fluid and plug the open ends of the pipelines.

3 The master cylinder can be unbolted now from the servo unit, or detached later when the complete assembly is withdrawn.

4 Working inside the car, disconnect the servo pushrod from the pedal then remove the servo mounting nuts.

5 Withdraw the servo assembly into the engine compartment, then remove it to the bench. If the master cylinder is still attached, cover the wings with protective sheeting, in case brake fluid is spilled during removal.

6 Refitting is a reversal of the removal process, but adjust the pushrod clearance as described in Section 9. On completion of refitting, bleed the complete hydraulic system as described in Section 12. Note: *Where the help of an assistant is available, the servo pushrod need not be disconnected from the pedal. The rod is a sliding fit in the servo and the servo can be simply pulled off the rod. Refitting without having disconnected the rod from the pedal can be difficult unless the help of an assistant is available.*

16 Handbrake - adjustment

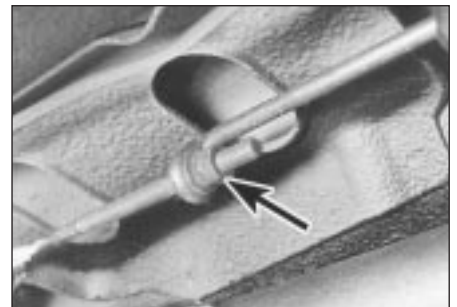


Adjustment is normally automatic, by the movement of the rear brake shoes on their automatic adjusters.

However, owing to cable stretch, supplementary adjustment is occasionally required at the control lever adjuster nut. The need for this adjustment is usually indicated by excessive movement of the control lever when fully applied.

1 The rear brakes should be fully applied when the handbrake control lever has been pulled over four or five notches.

2 If adjustment is required, release the



16.2 Handbrake adjuster nuts

locknut and turn the adjuster nut on the handbrake primary rod (photo).

3 Raise the rear roadwheels and check that they turn freely when the handbrake lever is fully released.

17 Handbrake cable - renewal



1 There are two cables, either of which may be renewed independently

2 Disconnect the cable, which is to be renewed, from the shoe lever at the brake backplate.

3 Disconnect the longer cable from the primary link or rod and release the cable from its retainers. On later models with a plastic fuel tank, a cable bracket is moulded into the side of the tank (photo).



17.3 Handbrake cable guide on fuel tank

4 Disconnect the shorter cable from the pivot lever at the pulley on the rear axle (photo).

5 Refit the new cables by reversing the removal operations and then adjust as described in the preceding Section.



17.4 Handbrake cable pulley

18 Brake pedal - removal and refitting



1 The operations are described in conjunction with the clutch pedal in Chapter 5, Section 4.

2 The brake pedal pushrod will slide out of the servo unit as the pedal is withdrawn.

19 Stop lamp switch



1 The brake stop lamp switch is of plunger type acting on the pedal arm.

2 Adjust the position of the switch by turning the locknuts until the stop lamps illuminate when the pedal arm is depressed through 1.0 mm (0.039 in).

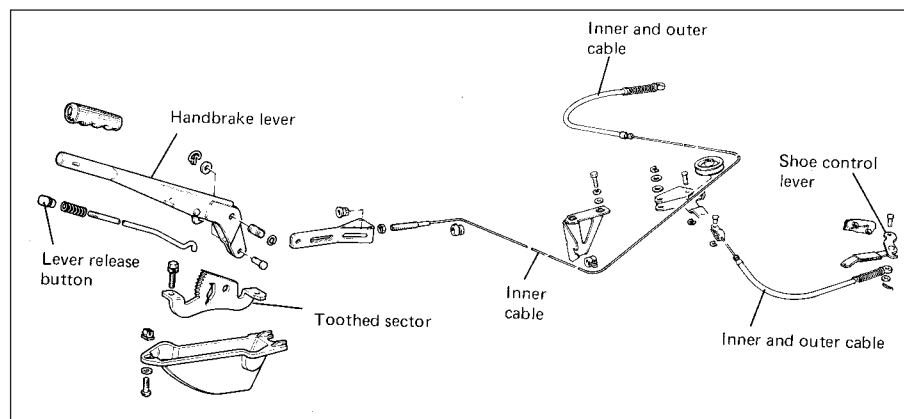


Fig. 8.13 Handbrake components (Sec 17)

Fault finding - braking system

Excessive pedal travel

- Pads or shoes excessively worn
- Incorrect pedal or servo pushrod adjustment
- Automatic adjusters faulty
- Seized wheel cylinder or caliper piston
- Master cylinder seals worn

Pedal feels spongy or soggy

- Air in hydraulic system
- Low fluid level
- Loose connections
- Flexible hose perished
- Defective wheel cylinder or caliper seal

Pedal feels springy

- New pads or linings not bedded-in
- Master cylinder mounting loose

Pedal vibrates when brakes applied

- Discs or drums distorted
- Friction linings excessively worn
- Loose backplate or caliper mounting bolts
- Wear in steering or suspension components

Excessive effort required to stop car

- Worn or contaminated linings or pads
- Incorrect grade of lining or pad material
- Servo vacuum hose leaking or disconnected
- Faulty servo or non-return valve (55 or 70 models)
- Seized caliper or wheel cylinder piston
- One circuit defective on dual circuit hydraulic system

Brakes pull to one side

- Friction linings contaminated on one side of car
- Seized hydraulic piston on one side of car
- Different types of linings fitted on different sides of car, or new linings on one side only
- Seized automatic adjuster on one side of car

Brakes drag

- Handbrake linkage overadjusted or seized
- Seized caliper or wheel cylinder piston

Brakes squeal

- Drums or discs rusty or damp (temporary fault - no action necessary)
- Dust or grit in brake drums
- Linings excessively worn

Chapter 9 Electrical system

For modifications, and information applicable to later models, see Supplement at end of manual

Contents

Alternator - maintenance and precautions	3	Horns	15
Alternator - overhaul	5	Instrument panel - dismantling	22
Alternator - removal and refitting	4	Instrument panel - removal and refitting	21
Battery - inspection, charging, removal and refitting	2	Interior lamps - bulb renewal	20
Central door locking system	32	Radio/cassette - fitting	30
Check control (warning module) system	34	Rocker and push-button switches	13
Cigar lighter	36	Speedometer drive cable - renewal	23
Clocks - setting	35	Starter motor - description and testing	7
Courtesy lamp switch	12	Starter motor - overhaul	9
Economy gauge (Econometer)	33	Starter motor - removal and refitting	8
Electrically-operated front door windows	31	Steering column combination switch	11
Exterior lamps - bulb renewal	19	Tailgate contacts	14
Fault finding - electrical system	See end of Chapter	Tailgate wiper blade and arm - removal and refitting	26
Fuses and relays	10	Tailgate wiper motor - removal and refitting	27
General description	1	Voltage regulator	6
Headlamp - removal and refitting	18	Washer system	28
Headlamp beam - alignment	17	Windscreen wiper blade and arm - removal and refitting	24
Headlamp bulb - renewal	16	Windscreen wiper motor - removal and refitting	25
Heated tailgate window - precautions and repair	29		

Degrees of difficulty

Easy , suitable for novice with little experience 	Fairly easy , suitable for beginner with some experience 	Fairly difficult , suitable for competent DIY mechanic 	Difficult , suitable for experienced DIY mechanic 	Very difficult , suitable for expert DIY or professional 
---	--	--	---	--

Specifications

System type	12 negative earth, battery alternator and pre-engaged starter
Battery	
Except 70S	30 Ah
70S	40 Ah
Alternator	
Type	Marelli, Valeo or Bosch 45A, 55A or 65A, with integral voltage regulator
Nominal voltage	14 V
Minimum brush (wear) length	6.0 mm (0.236 in)
Starter motor	
Type	Marelli, Bosch or Femsa pre-engaged
Nominal power	0.8 kW or 1.0 kW
Armature shaft endfloat	0.1 to 0.5 mm (0.0039 to 0.0197 in)
Minimum brush (wear) length	10.0 mm (0.39 in)
Wiper blades	
Front	Champion X-4801 (19 in) or X-4503 (18 in)
Rear	Champion X-3303

Fuses

Circuit protected	Fuse rating (A)
1 Stop lamps, direction indicator lamps, instrument panel warning lamps, tachometer economy gauge, check control system	10
2 Windscreen wiper and washer, rear screen wiper/washer, check system panel illumination	20
3 Left front parking, right rear tail lamp, cigar lighter illumination, heater control and clock, digital clock illumination	7.5
4 Right front parking lamp and left rear tail lamp, instrument panel illumination and rear number plate lamp	7.5
5 Left-hand dipped headlamp, rear foglamps	10
6 Right-hand dipped headlamp	10
7 Left-hand headlamp (main beam)	10
8 Right-hand headlamp (main beam)	10
9 Engine cooling fan and horn (Comfort)	25
10 Heater booster fan, digital clock map reading lamp	20
11 Heated tailgate glass	20
12 Courtesy lamps, cigar lighter, radio power feed, disc pad sensors, economy gauge (ES models)	10
13 Hazard warning lamps	10
14 Spare (Comfort), Horn (Super)	20

Bulbs

	Wattage
Headlamp	40/45 or Halogen H4 60/55
Front parking	5
Side repeater	5
Tail	5
Stop	21
Reversing	21
Rear foglamp	21
Direction indicator	21
Rear number plate	5
Courtesy lamp (roof)	10
Courtesy lamp (pillar)	5
Warning and indicator	Wedge base

Torque wrench settings

	Nm	lbf ft
Alternator mounting and adjustment nuts	50	87
Starter motor bolts	48	35

1 General description

The electrical system is of 12 volt negative earth type and employs a belt-driven alternator and a pre-engaged type starter motor.

The models in the range are all adequately equipped with electrical accessories, while SX versions also have power windows and centralised door locking plus a check control system (Section 34).

2 Battery - inspection, charging, removal and refitting



1 The battery is of maintenance-free type and under normal circumstances, no topping up will be required, but regularly check that the electrolyte level is between the minimum and maximum lines on the translucent battery casing.

2 If the electrolyte level does drop below the

minimum line, suspect a leak in the battery casing or that the alternator is overcharging. If the latter is the case, rectify the alternator fault and then prise out the two rectangular plugs from the top of the battery and top up with distilled or purified water.

3 Always keep the battery terminals clean and smear them with petroleum jelly to prevent corrosion.

HAYNES
HiNT

If battery terminal corrosion has occurred, it may be neutralised by applying sodium bicarbonate or household ammonia.

4 The battery will normally be kept fully charged by the alternator, but it is possible for the battery to become discharged if the daily mileage is very low with much use being made of the starter and electrical accessories.

5 When the battery begins to deteriorate with age it may also require a boost from a mains charger.

6 Disconnect both battery leads before connecting the mains charger.

7 To remove the battery from the car, first disconnect the leads from the battery terminals (earth first) and then unscrew the securing clamp from the casing projection at the base of the casing (photo).

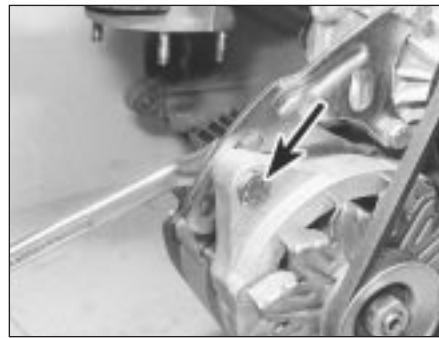
8 Lift the battery from its mounting platform. Refitting is a reversal of removal. Reconnect the earth cable last.



2.7 Battery clamp



4.2A Alternator mounting



4.2B Alternator adjuster bolt



5.3A Alternator brush holder bolt

3 Alternator - maintenance and precautions



To avoid damage to the alternator, the following precautions should be observed.

- 1 Disconnect the leads from the battery before connecting a mains charger to the battery terminals.
- 2 Never stop the engine by pulling off one of the battery leads.
- 3 Disconnect the battery if electric welding is to be carried out on the vehicle.
- 4 If using booster cables from another battery to start the car, make sure that they are connected positive to positive and negative to negative.
- 5 Maintenance consists of keeping the outside of the alternator clean, the electrical connections secure and the drivebelt correctly tensioned, see Chapter 2, Section 8.

4 Alternator - removal and refitting



Note: Depending on the model, access to the alternator from above may be poor in which case it will be necessary to work from the underside of the vehicle, through the right-hand wheel arch (after removing the roadwheel and the lower undershield). Refer to Chapter 13 for details.

- 1 Disconnect the leads from the rear of the alternator.



5.3B Removing alternator brush holder

- 2 Release the mounting and adjuster link nuts and push the alternator as far as it will go in towards the engine (photos).
- 3 Slip the drivebelt from the pulley.
- 4 Remove the mounting and adjuster bolts and lift the alternator from the brackets on the engine. Remove downwards on 1116 cc and 1301 cc models.
- 5 Refitting is a reversal of removal, tension the drivebelt as described in Chapter 2, Section 8.

5 Alternator - overhaul



- 1 Overhaul of the alternator should be limited to renewal of the brushes. If the unit has covered a high mileage, it will be found more

economical to exchange it for a new or factory-reconditioned one, rather than renew worn components on the original unit.

Brush renewal (Marelli alternator)

- 2 Unscrew the nuts and take off the rear cover.
- 3 Unscrew the two small bolts and withdraw the brush holder (photos).
- 4 Fit the new brush holder which is supplied complete with brushes, by reversing the removal operations.

Brush renewal (Bosch alternator)

- 5 Where applicable, remove the radio suppression condenser (capacitor) from the rear end frame (one screw and washer, and a plug-in connection).
- 6 Undo the two screws which retain the brush holder to the rear frame of the alternator, then

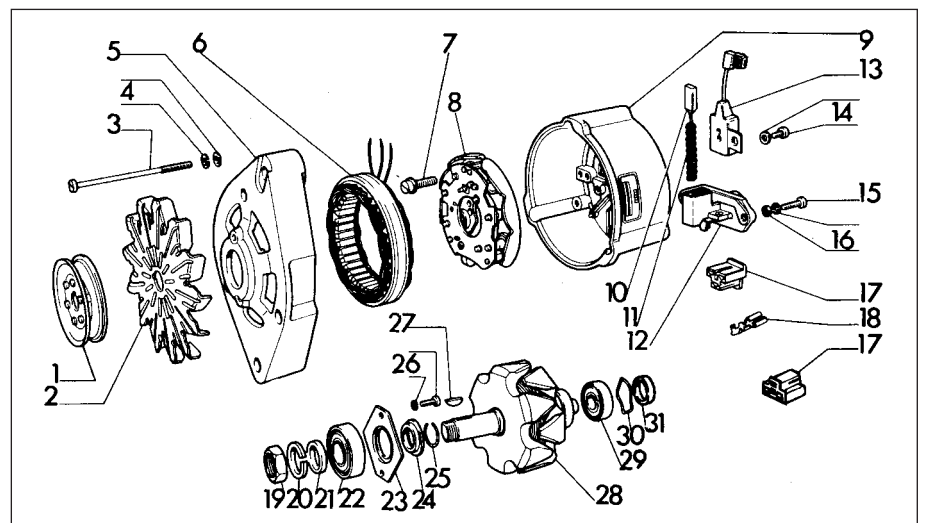


Fig. 9.1 Exploded view of typical alternator (Sec 5)

- | | | | |
|--------------------------------|-----------------------|-----------------------|------------------------------|
| 1 Pulley | 9 Body | 16 Screws and washers | 24 Thrust ring |
| 2 Fan | 10 Brush | 17 Plug socket | 25 Spring washer |
| 3 Bolts | 11 Spring | 18 Suppressor | 26 Screw and washer |
| 4 Washers | 12 Brush holder | 19 Shaft nut | 27 Key |
| 5 Drive-end bracket | 13 Condenser | 20 Spring washer | 28 Rotor |
| 6 Stator windings | 14 Screws and washers | 21 Thrust ring | 29 Bearing |
| 7 Plate screw | 15 Screws and washers | 22 Bearing | 30 Backing washer |
| 8 Diode plate (rectifier pack) | | 23 Retainer plate | 31 Shield (where applicable) |



8.2 Starter motor connections



8.3 Removing starter motor

ease the holder out of the alternator. Inspect the brushes and if worn below the specified minimum length, they must be renewed.

7 Disconnect the brush leads by unsoldering or carefully cutting them.

8 When soldering the new brush leads, do not allow solder to run down them or their flexibility will be ruined.



Gripping the brush leads with a pair of pliers to act as a heat sink will prevent heat transfer to the internal components of the alternator.

9 When inspecting or renewing brushes, check the surface of the slip rings. Clean them with solvent or if they are very discoloured, use very fine glasspaper.

6 Voltage regulator

1 This is of integral type and is part of the brushholder assembly.

2 No provision is made for adjustment or overhaul.

7 Starter motor - description and testing

1 The starter motor may be one of two different makes. Both are of pre-engaged type.

2 This type of starter motor incorporates a solenoid mounted on top of the starter motor body. When the ignition switch is operated, the solenoid moves the starter drive pinion, through the medium of the shift lever, into engagement with the flywheel starter ring gear. As the solenoid reaches the end of its stroke, and with the pinion by now partially engaged with the flywheel ring gear, the main fixed and moving contacts close and engage the starter motor to rotate the engine.

3 This pre-engagement of the starter drive does much to reduce the wear on the flywheel ring gear associated with inertia type starter motors.

4 If the starter fails, some fault-finding can be done with it still on the car. Check the ignition warning light comes on, and does not go out when the starter is switched on. If it goes out, the fault is probably in the battery. If it stays bright, get an assistant to work the switch,

whilst listening to the starter. Listen to find out if the solenoid clicks into position. If it does not, pull off the solenoid wire, and check it with a test bulb. If the wire is live when the key is turned, but the solenoid does not move, take off the starter and remove it to the bench for overhaul.

8 Starter motor - removal and refitting

1 Disconnect the battery negative lead.

2 Disconnect the lead from the starter motor (photo).

3 Unscrew the fixing bolts and withdraw the starter motor, downwards on 1116 cc and 1301 cc models (photo).

4 Refitting is a reversal of the removal procedure.

9 Starter motor - overhaul

1 As with the alternator, the operations should normally be limited to renewal of the brushes. If the unit has covered a high mileage it will usually be more economical to purchase a new or factory-reconditioned one rather than renew several components of the original unit.

2 Owing to the possibility that a fault can develop in the starter motor solenoid or drive assembly, full dismantling procedures are given later in this Section.

Brush - renewal

3 Slide off the cover band.

4 Using a hooked piece of wire, pull up the springs so that the brushes can be withdrawn and their lengths checked for wear. If they have worn below the specified minimum length, renew them by extracting the brush lead connecting screws (photo).

Solenoid

5 Disconnect the field connecting wire from the solenoid.

6 Unscrew the bolts which hold the solenoid to the end-frame.

7 Unscrew the yoke tie-rod nuts.

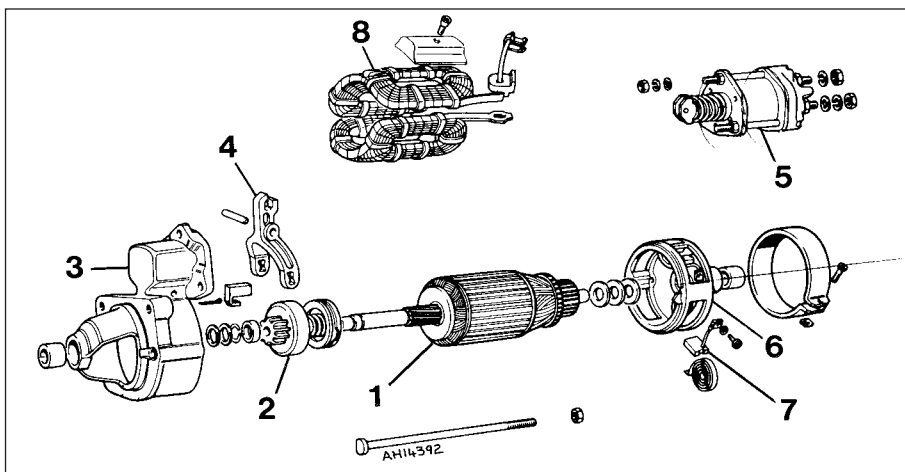


Fig. 9.2 Exploded view of typical starter motor (Sec 9)

- | | | | |
|-----------------------|---------------------|------------------|------------------|
| 1 Armature | 3 Drive end bracket | 5 Solenoid | 7 Brush |
| 2 Drive pinion/clutch | 4 Shift lever | 6 Brush endplate | 8 Field windings |



9.4 Starter motor brush partly withdrawn



9.8 Starter motor dismantled

8 Withdraw the solenoid and yoke off the armature and from the drive end bracket. Note the steel and fibre washers and the shims on the armature shaft (photo).

9 Extract the split pin and tap out the engagement lever pivot pin.

10 Pull the rubber packing piece from the drive end bracket.

11 Withdraw the armature with solenoid plunger, coil spring and engagement lever.

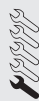
12 Clean the commutator with a fuel soaked rag or very fine glass paper. *Do not undercut the mica insulators on the commutator.*

Drive

13 To remove the drive assembly from the armature shaft, use a piece of tubing to tap the stop collar down the shaft to expose the snap ring. Remove the snap ring and stop collar and slide the drive assembly from the shaft.

14 Refitting is a reversal of removal, but use a new snap ring to secure the drive to the armature shaft.

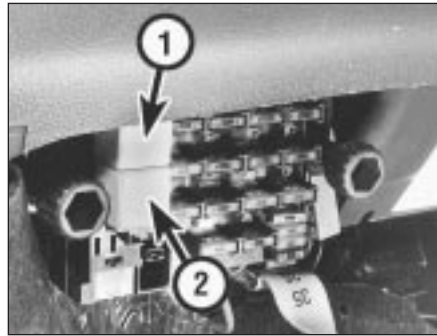
10 Fuses and relays



1 The fuse box is located under the left-hand side of the fascia panel and is held in place by two hand screws (photo).



12.1 Courtesy lamp switch



10.1 Fuse block (later models)

- 1 Horn relay
- 2 Heated tailgate window relay

2 The fuses and the circuits protected are identified by symbols. Refer also to Specifications.

3 If a fuse blows, always renew it with one of identical rating. If the new fuse blows immediately, find the cause before renewing the fuse for the second time. This is usually due to defective wiring insulation causing a short circuit.

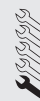
4 Never substitute a piece of wire or other makeshift device for a proper fuse.

5 Various relays are plugged into the fuse block and include those for the heated rear screen, heater and horns.

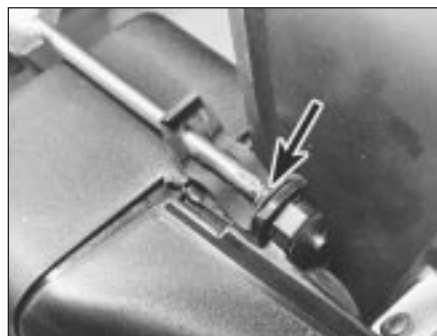
6 On cars fitted with power-operated front windows and centralised door locking, the fuses and relays for these circuits are mounted separately under the right-hand side of the fascia panel.

7 The relay (flasher unit) for the direction indicators and hazard warning lamps is located on the lower part of the steering column combination switch and is accessible after removing the column shroud.

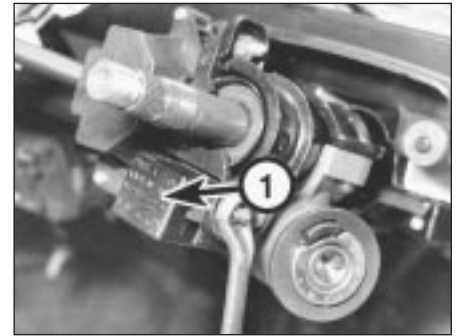
11 Steering column combination switch



- 1 Disconnect the battery negative lead.
- 2 Remove the steering column shrouds.



13.4 Switch panel screw



11.4 Unscrewing steering column switch clamp nut

- 1 Direction indicator flasher unit (relay)

3 The switch can be removed without having to take off the steering wheel, but for clarity, the photographs show the wheel removed.

4 Unscrew the switch clamp nuts, disconnect the wiring plug and remove the switch from the steering column (photo).

5 Refitting is a reversal of removal, but make sure that the activating projections on the steering wheel hub engage correctly with the switches.

12 Courtesy lamp switch



1 These are located in and secured to the body pillars with a single screw (photo).

2 Disconnect the battery negative lead.

3 Extract the switch screw and withdraw the switch.

4 If the leads are to be disconnected, tape them to the pillar to prevent them from slipping inside.

5 Refitting is a reversal of removal. Apply petroleum jelly to the switch contacts to prevent corrosion.

13 Rocker and push-button switches



1 These are mounted in panels on each side of the instrument panel.

2 Disconnect the battery negative lead.

3 Prise off the instrument panel hood cover. This is held in place by clips. The careful use of a screwdriver will assist in releasing them (see Section 21).

4 Extract the switch panel fixing screws. These compress spring clips which in turn secure the switch panel (photo).

5 Withdraw the switch panel until the wiring plugs can be disconnected. Record the location of the plugs before disconnecting



13.5A Withdrawing switch panel



13.5B Switch panel fibre optic



14.2A Tailgate contact block



14.2B Body contact block



16.1 Headlamp plug and rubber cover



16.2A Headlamp bulbholder spring clips

them. Carefully release the fibre optic filaments (photos).

6 A push-button switch can be removed by compressing its retaining tabs and pushing it from the panel.

7 A rocker switch can be removed if its knob is pulled off and the switch sections withdrawn from the panel.

8 Reassembly and refitting of both types of switches are reversals of removal and dismantling.

14 Tailgate contacts



1 Contact blocks are used to transmit power to the heated tailgate window and to the wiper motor.

2 The block on the tailgate or the body may be released by prising their ends with a screwdriver (photos).

15 Horns



1 These are mounted close to the engine/transmission left-hand mounting below the radiator.

2 Apart from keeping the connecting leads secure, no maintenance or adjustment is required.



16.2B Headlamp halogen type bulb

16 Headlamp bulb - renewal



1 Open the bonnet and pull off the plug and the rubber cover from the rear of the headlamp (photo).

2 Prise back the spring bulbholder clips and withdraw the combined bulb and holder (photos).

3 Refit the new bulb. Avoid fingering it if it is of halogen type. Should the fingers touch the bulb, wipe it with a rag soaked in methylated spirit to remove any residual grease.

4 Turn the bulbholder until the pip on its flange engages in the cut-out in the rim of the reflector.

5 Snap back the spring retaining clips, refit the rubber cover and reconnect the plug.

17 Headlamp beam - alignment



1 It is recommended that the headlamp beams are aligned by your dealer or a service station having optical setting equipment.

2 Where an owner wishes to do the job himself, proceed in the following way.

3 Have the car standing on a level floor with

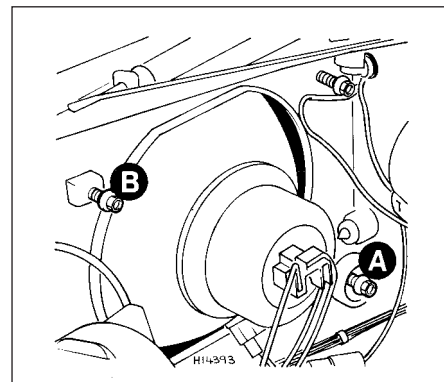


Fig. 9.3 Headlamp beam adjustment screws (Sec 17)

A Vertical B Horizontal



18.1 Headlamp upper fixing screw



18.2 Withdrawing headlamp



19.2 Front parking lamp bulb

the tyres correctly inflated and square to a wall, at a distance of 10.0 m (32.8 ft) from it.
 4 Mark the wall to correspond with the centres of the headlamps.
 5 Switch to dipped beams when the brightest parts of the light pattern should be below the marks on the wall by an amount equal to one tenth of the distance between the floor and the mark on the wall.
 6 Adjust the beams as necessary by turning the adjuster screws (A) vertical or (B) horizontal, which are located at the rear of the headlamp.

18 Headlamp - removal and refitting



1 Open the bonnet and extract the two headlamp mounting screws from the top rail (photo).
 2 Pull the headlamp unit forward off its ballstud and then disconnect the wiring plug (photo).
 3 Refitting is a reversal of removal.

19 Exterior lamps - bulb renewal



Front parking lamp

1 The bulbholder is located in the headlamp reflector.

2 Open the bonnet, push and twist the bulbholder from its location (photo).
 3 The wedge base type bulb is simply pulled from its holder.

Front direction indicator lamp

4 Extract the screws and remove the lens (photo).
 5 Depress and twist the bayonet fitting type bulb from its holder.

Side repeater lamp

6 This bulb may be renewed in one of two ways. Either partially remove the underwing protective shield and reach up under the front wing and pull the holder out of the lamp body or depress the lamp retaining tab and withdraw the lamp from outside the wing. The tab is very brittle (photo).

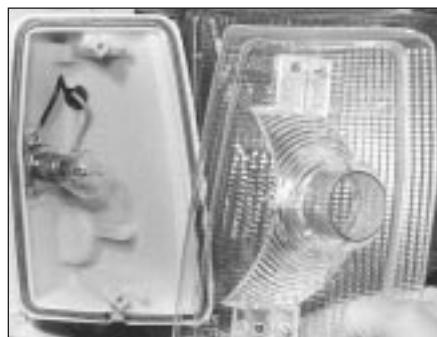
7 Remove the bulb from the holder.

Rear lamp cluster

8 Open the tailgate.
 9 Gently prise up the clips on the top surface of the lens. Pull the upper part of the lens outwards and release it from the lower fixings (photo).
 10 The individual lamp bulbs may be renewed, all of them being of bayonet fitting type (photo).

Rear number plate lamp

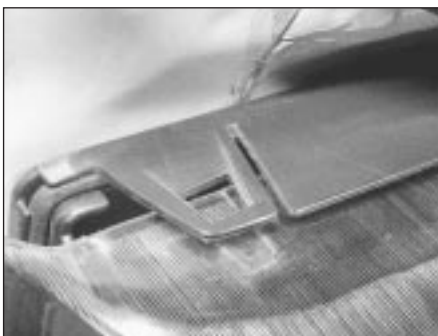
11 Insert a screwdriver blade in the lens slot and prise it from the bulb holder. Withdraw the bulb.
 12 If preferred, the complete lamp may be removed from the bumper by reaching up under the bumper and squeezing the lamp retaining tabs (photo).



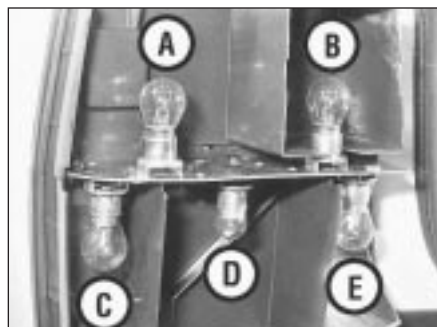
19.4 Front direction indicator lamp lens and bulb



19.6 Side repeater lamp



19.9 Rear lamp lens upper clip

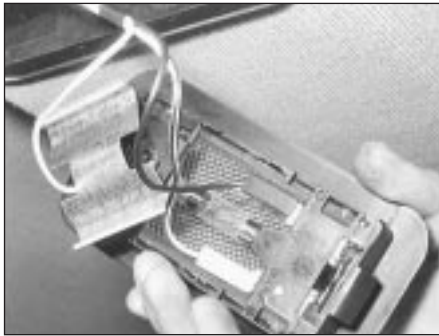


19.10 Rear lamp bulbs

A Direction indicator C Stop E Fog
 B Reversing D Tail



19.12 Rear number plate lamp withdrawn



20.1 Interior roof lamp withdrawn



20.3 Instrument panel warning lamp

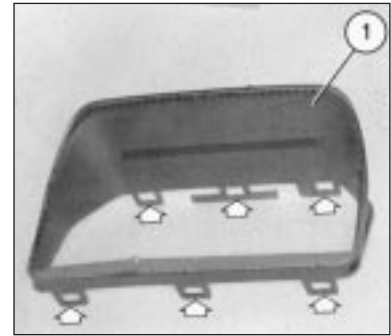


Fig. 9.4 Instrument hood cover (1) (Sec 21)

20 Interior lamps - bulb renewal

Courtesy lamp

- 1 The lamp lenses, whether roof or pillar mounted, are removed by prising off using a screwdriver inserted under one end (photo).
- 2 The festoon type bulb is pulled from its spring contacts.

Instrument panel lamps

- 3 Remove the instrument panel hood cover as described in the next Section. The panel lighting bulbs may be renewed without further dismantling, but access to the warning and indicator bulbs can only be obtained if the instrument panel is partially withdrawn as described in the next Section (photo).



21.2 Removing instrument panel hood cover



21.3 Removing instrument panel screw

- 4 Pull out the appropriate bulbholder and withdraw the wedge base type bulb.
- 5 Fit the new bulb, the holder, instrument panel and hood cover.

21 Instrument panel - removal and refitting

- 1 Disconnect the battery negative lead.
- 2 Remove the instrument panel hood cover. The easiest way to do this is to insert the fingers at the sides, and pull the hood sharply upwards off its retaining clips.
- 3 Extract the two fixing screws from the instrument panel and pull it towards you until the speedometer drive cable can be disconnected by squeezing its plastic retaining ring (photo).
- 4 Disconnect the wiring plugs and record their exact locations.

- 5 Remove the instrument panel upwards (photo).
- 6 Refitting is a reversal of removal.

22 Instrument panel - dismantling

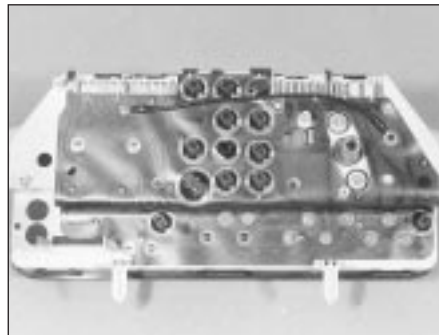
- 1 With the instrument panel removed from the car, individual instruments may be removed in the following way.
- 2 Pull off the speedometer trip device knob.
- 3 Remove the instrument hood cover by gently releasing the plastic clips (Fig. 9.4).
- 4 The speedometer is secured by two screws for its metal casing and one screw for its plastic casing. Other instruments are held to the panel by nuts (photo).
- 5 On models equipped with a check control system (see Section 34), the speedometer cannot be removed until the control unit has first been withdrawn.
- 6 On ES versions, the speedometer cannot be removed until the economy gauge control unit has been removed.

23 Speedometer drive cable - renewal

- 1 Remove the instrument panel hood cover as described in Section 21.
- 2 Disconnect the speedometer cable from the speedometer by squeezing the plastic retaining ring (photo).



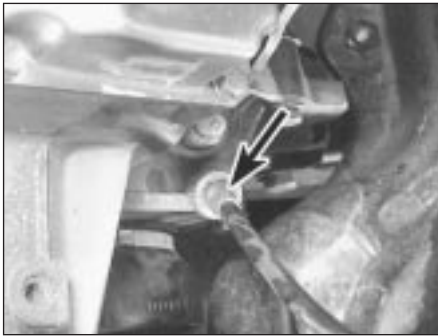
21.5 Instrument panel and steering wheel removed



22.4 Rear view of instrument panel



23.2 Speedometer cable connector at head



23.3 Speedometer cable connector at transmission

- 3 Working at the transmission, disconnect the speedometer cable by unscrewing the knurled retaining ring (photo).
- 4 Withdraw the cable through the bulkhead grommet.
- 5 Refit the new cable assembly by reversing the removal operations.

24 Windscreen wiper blade and arm - removal and refitting



- 1 The wiper blade can be removed once the arm has been pulled away from the glass and locked in position.
- 2 Depress the small tab (A) and push the U-shaped carrier out of the hook (B) of the



25.4 Removing windscreen wiper motor mounting screws



25.5A Windscreen wiper motor cover



24.4 Windscreen wiper arm nut

- wiper arm. The blade can then be withdrawn, passing the wiper arm hook through the slot (C) in the blade stretcher (Fig. 9.5).
- 3 Before removing the wiper arm, it is worthwhile sticking a strip of masking tape on the screen to indicate the setting of the arm and blade as a guide to refitting.
 - 4 Flip up the plastic cover and unscrew the arm retaining nut. Pull off the arm from the splined drive spindle (photo).
 - 5 Refitting is a reversal of removal.

25 Windscreen wiper motor - removal and refitting



- 1 Open the bonnet and disconnect the battery negative lead.
- 2 Remove the wiper arm and blade as previously described.
- 3 Prise off the sealing cover from around the drive spindle and then unscrew the drive spindle bezel nut.
- 4 Pull back the weathersealing strip from above the wiper motor location and remove the two screws which are exposed (photo).
- 5 Withdraw the motor/gearbox with protective cover from under the lip of the upper bulkhead. Disconnect the wiring plug (photos).
- 6 Refitting is a reversal of removal.



25.5B Removing windscreen wiper motor

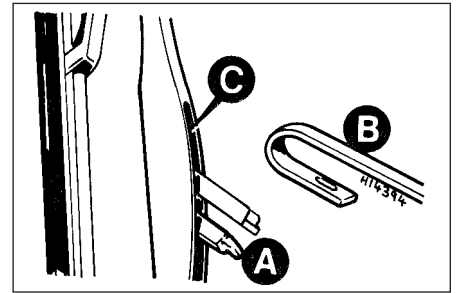


Fig. 9.5 Windscreen wiper blade fixing (Sec 24)

A Tab B Wiper arm C Blade slot

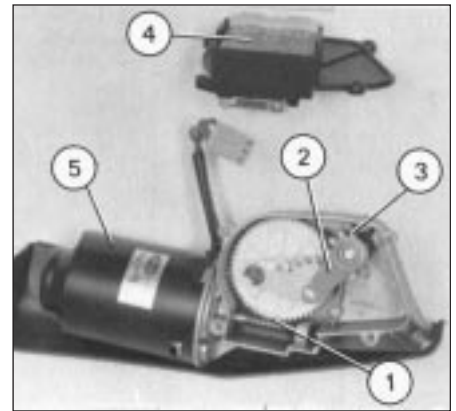


Fig. 9.6 Windscreen wiper motor components (Sec 25)

- | | |
|--------------|-----------------------------|
| 1 Gears | 4 Intermittent control unit |
| 2 Crank arm | 5 Motor yoke |
| 3 Shaft gear | |

26 Tailgate wiper blade and arm - removal and refitting



- 1 Pull the wiper arm from the glass until it locks.
- 2 With the thumb nail pull down the tab to release the peg (B) from the hole (A) (Fig. 9.7). Pull the blade from the arm.
- 3 To remove the arm, flip up the plastic cover and remove the nut exposed. Pull the arm from the drive spindle.
- 4 Refitting is a reversal of removal.

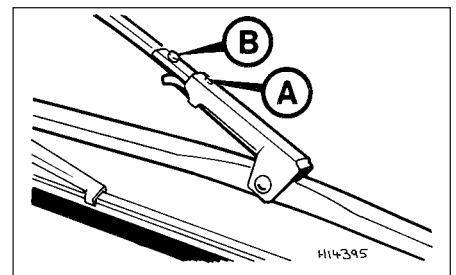


Fig. 9.7 Tailgate wiper blade fixing (Sec 26)

A Hole B Peg



27.4 Tailgate wiper motor



28.1 Washer fluid reservoir



28.2 Washer pumps

27 Tailgate wiper motor - removal and refitting



- 1 Remove the blade and arm as previously described. Unscrew the drive spindle bezel nut.
- 2 Open the tailgate fully.
- 3 Unclip and remove the wiper motor cover.
- 4 Unscrew the mounting screws, withdraw the motor and disconnect the wiring plug (photo).
- 5 Refitting is a reversal of removal.

28 Washer system



- 1 The washer system for the windscreen and the tailgate operates from a bag type fluid reservoir within the engine compartment (photo).
- 2 The reservoir bag is fitted with two pumps, one for each system (photo).
- 3 Use screen cleaning fluid mixed in the recommended proportion in the washer fluid reservoir and in very cold weather add a small quantity of methylated spirit.
- 4 To clear a blocked washer jet nozzle or to adjust the wash jet glass-striking pattern, insert a pin part way into the jet nozzle.

29 Heated tailgate window - precautions and repair



- 1 The heater element inside the tailgate glass should be treated with care.
- 2 Clean only with a damp cloth and wipe in the direction in which the filaments run. Avoid scratching with rings on the fingers, or by allowing luggage to rub on the glass. Never stick adhesive labels over the heater element.
- 3 Should one of the heater filaments be broken it can be repaired using one of the special silver paints available, but follow the manufacturer's instructions carefully.

30 Radio/cassette - fitting



- 1 In-car entertainment equipment is not provided as standard on the models covered by this Manual.
- 2 However, the centre console is designed to receive a radio set after removing the blanking plate behind which a power lead is already provided.
- 3 The ignition system and other electrical components are suppressed during production of the car and further suppression should not be required other than earthing the wiper motor.

Receiver

- 4 Fit the radio/cassette using the installation kit supplied with the equipment.
- 5 On Comfort models, fit an in-line fuse in the power feed. On Super models the radio supply is protected by fuse number 12.
- 6 Make sure that the radio is well earthed to a metal body component.

Aerial

- 7 The recommended locations for the aerial are towards the rear of the right-hand front wing or on the windscreen pillar.
- 8 Fitting instructions for Fiat aerials are supplied with them, but the following general advice will help if using non-Fiat equipment.

9 Motorised automatic aerials rise when the equipment is switched on and retract at switch-off. They require more fitting space and supply leads, and can be a source of trouble.

10 There is no merit in choosing a very long aerial as, for example, the type about three metres in length which hooks or clips on to the rear of the car, since part of this aerial will inevitably be located in an interference field. For VHF/FM radios the best length of aerial is about one metre. Active aerials have a transistor amplifier mounted at the base and this serves to boost the received signal. The aerial rod is sometimes rather shorter than normal passive types.

11 A large loss of signal can occur in the aerial feeder cable, especially over the Very High Frequency (VHF) bands. The design of feeder cable is invariably in the co-axial form, ie a centre conductor surrounded by a flexible copper braid forming the outer (earth) conductor. Between the inner and outer conductors is an insulator material which can be in solid or stranded form. Apart from insulation, its purpose is to maintain the correct spacing and concentricity. Loss of signal occurs in this insulator, the loss usually being greater in a poor quality cable. The quality of cable used is reflected in the price of the aerial with the attached feeder cable.

12 The capacitance of the feeder should be within the range 65 to 75 picofarads (pF) approximately (95 to 100 pF for Japanese and American equipment), otherwise the adjustment of the car radio aerial trimmer may not be possible. An extension cable is necessary for a long run between aerial and receiver. If this adds capacitance in excess of the above limits, a connector containing a series capacitor will be required, or an extension which is labelled as "capacity-compensated".

13 Fitting the aerial will normally involve making a 7/8 in (22 mm) diameter hole in the bodywork, but read the instructions that come with the aerial kit. Once the hole position has been selected, use a centre punch to guide the drill. Use sticky masking tape around the area for this helps with marking out and drill location, and gives protection to the

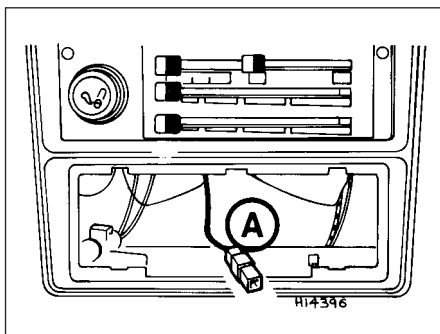


Fig. 9.8 Radio housing and power lead (A) (Sec 30)

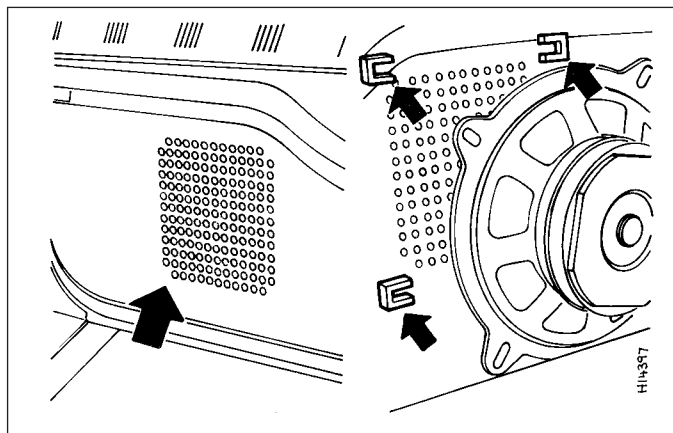


Fig. 9.9 Door speaker mounting (Sec 30)

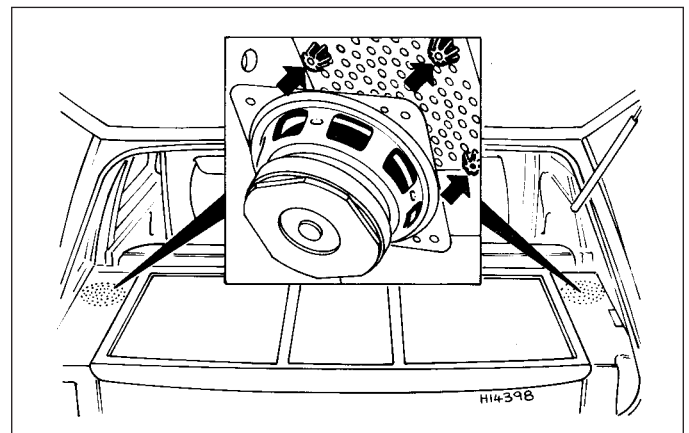


Fig. 9.10 Rear speaker mounting (Sec 30)

paintwork should the drill slip. Three methods of making the hole are in use:

- a) Use a hole saw in the electric drill. This is, in effect, a circular hacksaw blade wrapped round a former with a centre pilot drill.
- b) Use a tank cutter which also has cutting teeth, but is made to shear the metal by tightening with an Allen key.
- c) The hard way of drilling out the circle is using a small drill, say 1/8 in (3 mm), so that the holes overlap. The centre metal drops out and the hole is finished with round and half-round files.

14 Whichever method is used, the burr is removed from the body metal and paint removed from the underside. The aerial is fitted tightly ensuring that the earth fixing, usually a serrated washer, ring or clamp, is making a solid connection. *This earth connection is important in reducing interference.* Cover any bare metal with primer paint and topcoat, and follow by underseal if desired.

15 Aerial feeder cable routing should avoid the engine compartment and areas where stress might occur, eg under the carpet where feet will be located.

Loudspeakers

- 16 A mono speaker may be located under the fascia panel beneath the glovebox.
- 17 Provision is made for twin speakers within the door tidy bins or under the rear shelf mountings.
- 18 Speakers should be matched to the output stage of the equipment, particularly as regards the recommended impedance. Power transistors used for driving speakers are sensitive to the loading placed on them.

- 4 Release the bolts which connect the power lift to the glass mounting.
- 5 Remove the bolts which hold the lift assembly to the door.
- 6 The motor and glass mounting may be disconnected from the cable guide and sleeve and any faulty components renewed.
- 7 When refitting the assembly to the door, make sure that the window glass slides smoothly before fully tightening the cable guide bolts. Refer to Section 10 for details of system fuses and relays.

31 Electrically-operated front door windows

32 Central door locking system

- 1 The electrically-operated front door windows are controlled by switches on the centre console or in the door armrest (depending on model). The regulator motor and cable are located within the door cavity.
- 2 To gain access to the assembly, remove the door trim panel as described in Chapter 12.
- 3 Disconnect the wiring plug (1) (Fig. 9.11).

- 1 The doors are locked simultaneously from the outside by turning the key in either direction.
- 2 The doors can be locked from inside the car in the following ways:
All doors locked or unlocked - depress or lift a front door lock plunger knob.
One rear door locked or unlocked - depress or lift a rear door lock plunger knob.

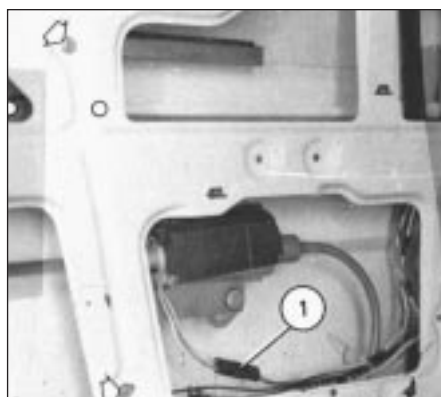


Fig. 9.11 Power-operated window motor (Sec 31)

- 1 Connector plug

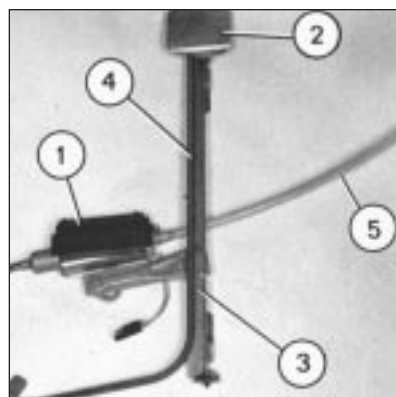


Fig. 9.12 Power operated window components (Sec 31)

- 1 Electric motor
- 2 Glass mounting
- 3 Cable guide
- 4 Cable
- 5 Cable sleeve

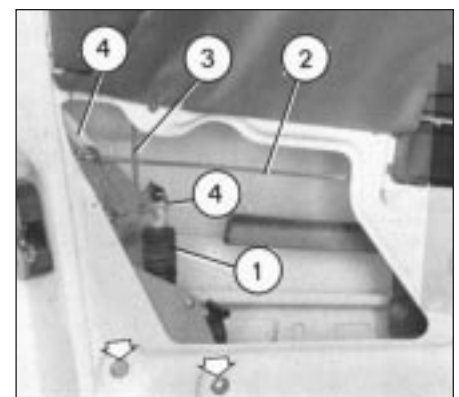


Fig. 9.13 Central door locking system components (Sec 32)

- 1 Solenoid
- 2 Lock relay lever
- 3 Link rod
- 4 Exterior handle lever

- 3 The centralised door locking system can operate independently of the key.
- 4 To gain access to the lock solenoid and linkage, remove the front door trim panel as described in Chapter 12.
- 5 Disconnect the battery negative lead.
- 6 Disconnect the electrical wiring plugs from the solenoid within the door cavity.
- 7 Disconnect the solenoid from the lock lever by removing the clip.
- 8 Unscrew the two bolts which secure the solenoid to the door and remove it.
- 9 Renew the solenoid or switch as necessary.
- 10 Refitting is a reversal of removal.
- 11 Refer to Section 10 for details of system fuses and relays.

33 Economy gauge (Econometer)



- 1 This device is fitted to ES (energy saving) models and indicates to the driver the fuel consumption (in litres per 100 km) coupled with a needle which moves over coloured sections of a dial to make the driver aware that his method of driving is either conducive to high or low fuel consumption. Refer to Chapter 3, Section 16.
- 2 The device is essentially a vacuum gauge which also incorporates a warning lamp to indicate to the driver when a change of gear is required.
- 3 A fuel cut-out valve (see Chapter 3, Section 11) is used in conjunction with the economy gauge so that when the accelerator pedal is released during a pre-determined engine speed range, fuel supply to the engine is stopped, but resumes when the engine speed falls below the specified range.

LED (light emitter diode)

- 4 The gearchange indicator will only light up at engine speeds in excess of 2000 rev/min for vacuum pressures up to 600 mm Hg in 1st, 2nd and 3rd speed gears and for vacuum pressures up to 676 mm Hg in 4th speed

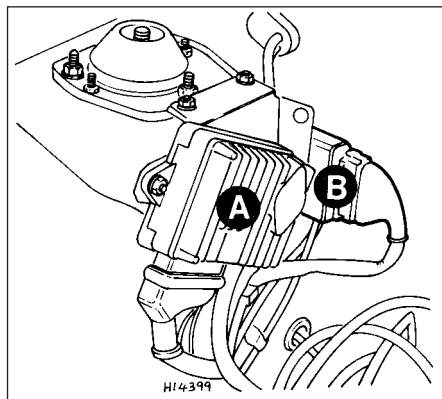


Fig. 9.14 Location of control units (Sec 33)

- A Digiplex ignition system control unit
- B Fuel cut-out valve control unit

- gear. The light will not come on if 5th speed gear is engaged or if the coolant temperature is below 55°C.
- 5 There is a two second delay in the light coming on to prevent it operating during rapid acceleration in a low gear.
- 6 If the LED light comes on during deceleration it should be ignored.

Fault finding

- 7 A faulty economy gauge should be checked in the following way.
- 8 Refer to Section 21 and remove the instrument panel.
- 9 Disconnect the economy gauge L connector and then connect a test lamp between the BN cable contact and earth. If the lamp comes on then the gauge supply circuit is not open. If the lamp does not come on, check all connections in the supply cable which comes from the interconnecting unit of the electrical system, also Fuse No 12.
- 10 Now connect a voltmeter between the white cable and earth. Check the voltage with the engine not running, but the ignition switched on. It should be between 0.7 and 0.9 volt. If the reading varies considerably from that specified, check the connections between the economy gauge and the fuel cut-out device control unit. If the fault cannot be rectified, renew the ignition control unit (Digiplex system, see Chapter 4).
- 11 Now check the closed throttle valve plate switch by connecting a voltmeter between the brown and BN cables of the L connector. With the valve plate open, there should be no reading, but with it open, voltage should be indicated.
- 12 Failure to conform as described will be due to a faulty earth in the switch or a faulty fuel cut-out device control unit.
- 13 A further test of the throttle valve plate switch may be carried out by disconnecting the multi-plug from the fuel cut-out device control unit.
- 14 Connect a test lamp to contact 4 (positive battery terminal). The lamp should come on, when the engine is idling or the accelerator released. If it does not, renew the throttle valve plate switch.

- 15 Connect a tachometer to the brown/white cable contact in the L connector and record the engine speed with the engine running. If no reading is obtained, renew the Digiplex ignition control unit which must be faulty.

34 Check control (warning module) system



- 1 This is fitted into the instrument panel of certain models to provide a means of checking the operation of many electrical circuits and other systems in the interest of safety. Sensors are used where appropriate.
- 2 The following components are not monitored by the system, but have separate warning lamps:

- Handbrake "on"
- Choke in use
- Low engine oil pressure
- Battery charge indicator

- 3 The multi-functional electronic device automatically checks the following functions whether the engine is running or not:

- Coolant level
- Disc pad wear
- Door closure
- Engine oil level
- Front parking lamps
- Rear foglamps
- Stop lamps

- 4 The check information is stored by the system monitor until the engine is started when the display panel then indicates the situation by means of the LEDs (light emitter diodes) and the general lamp.

- 5 If all functions are in order, the green panel lamp will come on when the ignition key is turned and will go out after two to three seconds.

- 6 If some functions are not in order, then the red panel lamp will come on also the appropriate LED.

Sensors - checking

- 7 If a fault signal occurs which is subsequently found to be incorrect, first check the wiring connections between the

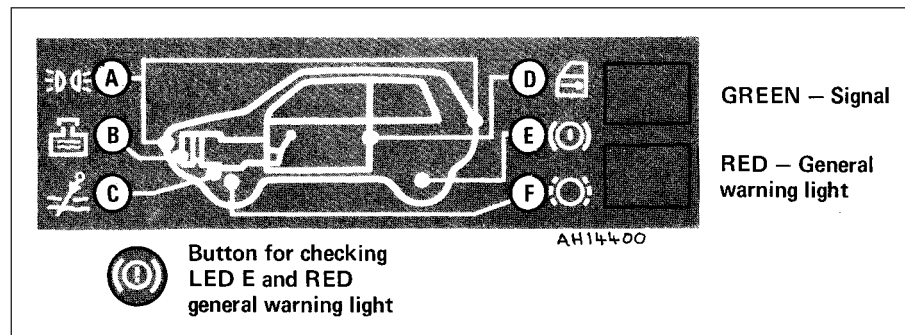


Fig. 9.15 Check system control panel (Sec 34)

- A Parking lamps
- B Coolant level
- C Engine oil level
- D Door closure
- E Brake fluid level
- F Disc pad wear

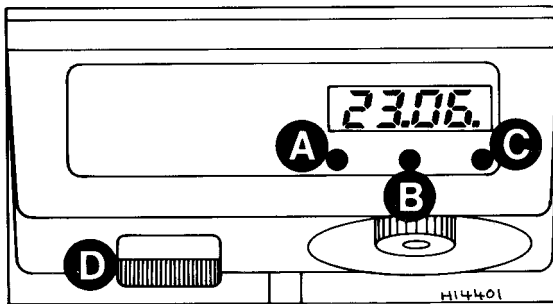


Fig. 9.16 Digital clock controls (Sec 35)

A Control button - hour setting

B Control button - display (ignition off)

C Control button - minute setting

D Map reading lamp switch

sensors, lamp circuits and the control unit. Corrosion at the terminals may also be a contributory cause.

8 Never short circuit a sensor supply wire or the electronic module will be damaged.

Check control unit and monitor - removal and refitting

9 Remove the instrument panel as described in Section 21.

10 Unbolt the control unit housing from the instrument panel.

11 Access to the monitor can only be obtained after removing the tachometer and

the red and green general warning lamps. Unscrew the two monitor fixing bolts.

35 Clocks - setting

Quartz type

1 To set the hands, depress the knob and turn it.

Digital type

2 To set the clock, depress button A to

display minutes and seconds and again to display hours and minutes.

3 To correct the hour setting, press button C then button A and release it at the correct time. Depress button C three times to display hours and minutes.

4 To correct the minute setting, depress button C twice. Depress button A and release it when the correct time is shown. Depress button C twice to display hours and minutes.

5 To correct the second setting, depress button C three times. Depress button A and hold it depressed to zero the seconds then release the button. Depress button C to display the hours and minutes.

6 Switch D, Fig. 9.16 operates the map reading lamp fitted to SX models in conjunction with the digital clock.

36 Cigar lighter

1 This device can be operated without switching on the ignition.

2 Push in the knob and when it springs out it is ready for use.

3 The cigar lighter socket may be used as a power source provided the rating of the accessory does not exceed 100 watts.

Fault finding overleaf

Fault finding - electrical system

No voltage at starter motor

- Battery discharged
- Battery defective internally
- Battery terminals loose or earth lead not securely attached to body
- Loose or broken connections in starter motor circuit
- Starter motor switch or solenoid faulty

Voltage at starter motor - faulty motor

- Starter brushes badly worn, sticking, or brush wires loose
- Commutator dirty, worn or burnt
- Starter motor armature faulty
- Field coils earthed

Starter motor noisy or rough in engagement

- Pinion or flywheel gear teeth broken or worn
- Starter drive main spring broken
- Starter motor retaining bolts loose

Alternator not charging*

- Drivebelt loose and slipping, or broken
- Brushes worn, sticking, broken or dirty
- Brush springs weak or broken

* If all appears to be well but the alternator is still not charging, take the car to an automobile electrician for checking of the alternator

Ignition light fails to go out, battery runs flat in a few days

- Drivebelt loose and slipping, or broken
- Alternator faulty

Battery will not hold charge for more than a few days

- Battery defective internally
- Electrolyte level too low or electrolyte too weak due to leakage
- Plate separators no longer fully effective
- Battery plates severely sulphated
- Drivebelt slipping
- Battery terminal connections loose or corroded
- Alternator not charging properly
- Short in lighting circuit causing continual battery drain

Fuel gauge gives no reading

- Fuel tank empty!
- Electric cable between tank sender unit and gauge earthed or loose
- Fuel gauge case not earthed
- Fuel gauge supply cable interrupted
- Fuel gauge unit broken

Fuel gauge registers full all the time

- Electric cable between tank unit and gauge broken or disconnected

Horn operates all the time

- Horn push either earthed or stuck down
- Horn cable to horn push earthed

Horn fails to operate

- Blown fuse
- Cable or cable connection loose, broken or disconnected
- Horn has an internal fault

Horn emits intermittent or unsatisfactory noise

- Cable connections loose
- Horn incorrectly adjusted

Lights do not come on

- If engine not running, battery discharged
- Light bulb filament burnt out or bulbs broken
- Wire connections loose, disconnected or broken
- Light switch shorting or otherwise faulty

Lights come on but fade out

- If engine not running, battery discharged

Lights give very poor illumination

- Lamp glasses dirty
- Reflector tarnished or dirty
- Lamps badly out of adjustment
- Incorrect bulb with too low wattage fitted
- Existing bulbs old and badly discoloured
- Electrical wiring too thin not allowing full current to pass

Lights work erratically, flashing on and off, especially over bumps

- Battery terminals or earth connections loose
- Lights not earthing properly
- Contacts in light switch faulty

Wiper motor fails to work

- Blown fuse
- Wire connections loose, disconnected or broken
- Brushes badly worn
- Armature worn or faulty
- Field coils faulty

Wiper motor works very slowly and takes excessive current

- Commutator dirty, greasy or burnt
- Drive spindle binding or damaged
- Armature bearings dry or unaligned
- Armature badly worn or faulty

Wiper motor works slowly and takes little current

- Brushes badly worn
- Commutator dirty, greasy or burnt
- Armature badly worn or faulty

Wiper motor works but wiper blade remains static






- Drive spindle damaged or worn
- Wiper motor gearbox parts badly worn

Chapter 10 Steering

Contents

Description and maintenance	1	Steering gear - overhaul	7
Fault finding - steering	See end of Chapter	Steering rack - removal and refitting	6
Steering angles and front wheel alignment	8	Steering rack gaiter - renewal	3
Steering column - removal, overhaul and refitting	5	Steering wheel - removal and refitting	4
Steering column lock - removal and refitting	9	Tie-rod end balljoint - renewal	2

Degrees of difficulty

Easy , suitable for novice with little experience 	Fairly easy , suitable for beginner with some experience 	Fairly difficult , suitable for competent DIY mechanic 	Difficult , suitable for experienced DIY mechanic 	Very difficult , suitable for expert DIY or professional 
---	--	--	---	--

Specifications

Type	Rack and pinion with safety column	
Steering wheel diameter	381.0 mm (15.0 in)	
Number of turns, lock-to-lock	4	
Turning circle	9.4 m (3084 ft)	
Steering angles of roadwheels		
Inner wheel	32° 58'	
Outer wheel	39° 8'	
Front suspension steering angles		
Camber	0° 5' negative to 0° 55' positive	
Castor	1° 40' to 2° 20' positive	
Toe-in	0 to 2.0 mm (0 to 0.08 in)	
Rear suspension		
Camber	0° (non-adjustable)	
Rack lubricant		
Type	Lithium based molybdenum disulphide grease	
Capacity	140 cc	
Torque wrench settings		
	Nm	lbf ft
Steering wheel nut	50	37
Steering shaft coupling pinch-bolt	27	20
Steering gear mounting bolts	24	18
Tie rod balljoint locknut	35	26
Tie-rod balljoint taper pin nut	35	26
Steering column upper mounting bolts	5	3

1 Description and maintenance



- 1 The steering gear is of rack and pinion type with a universally-jointed column which incorporates a steering lock and ignition switch.
- 2 The steering wheel is of two spoke type on all models except the SX which has four spokes.
- 3 The system is maintenance-free except to check occasionally the pinch-bolts.

- 4 At the intervals specified in "Routine Maintenance" carefully inspect the rack gaiters for splits, particularly at the bottom of the vees, as a split here can often go unnoticed.
- 5 Check the tie-rod balljoints for wear. To do

this, have an assistant turn the steering wheel repeatedly in both directions through an arc of about 10 or 15 degrees. Observe the balljoints for lost motion or slackness. If evident, renew the balljoint as described in Section 2

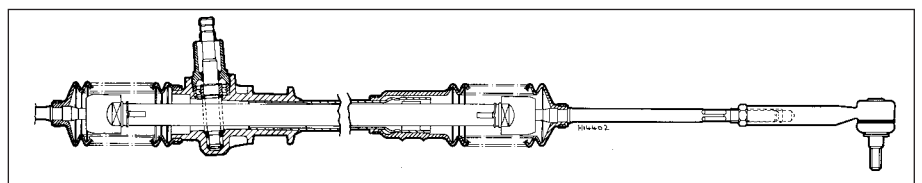


Fig. 10.1 Sectional view of steering gear (Sec 1)



2.2 Disconnecting a tie-rod end balljoint

2 Tie-rod end balljoint - renewal



- 1 Jack up the front of the car and remove the roadwheel from the side on which the balljoint is to be renewed.
- 2 Unscrew the tie-rod balljoint taper pin nut and, using a suitable extractor, separate the tie-rod balljoint from the eye of the steering arm (photo).
- 3 Release the locknut on the tie-rod, unscrewing it only just enough to be able to unscrew the tie-rod end from the tie-rod.
- 4 With the tie-rod end removed, wire brush the threads on the tie-rod without disturbing the position of the locknut; apply grease to the threads and screw on the new tie-rod end until the locknut can be tightened by turning it through the same amount of rotation it was given when unscrewed.
- 5 Reconnect the balljoint taper pin to the eye of the steering arm and tighten the retaining nut to the specified torque. *Never grease the taper pin or eye;* the pin will otherwise turn when the nut is tightened. If a taper pin is inclined to rotate when a nut is being tightened, apply pressure to the socket of the joint to force the taper pin into closer contact with the tapered hole in the eye. If a taper pin is pointing downward, a strong lever can be used to apply the extra pressure. Where the taper pin of a balljoint points upward, a jack placed under the joint socket will produce the desired result.
- 6 Although the careful fitting of the new tie-rod end will have approximately



5.2 Removing steering column shrouds



4.2 Removing steering wheel hub plate

maintained the original front wheel alignment of the car, manufacturing differences alone of the new component make it essential to check the setting, as described in Section 8 and to adjust if necessary.

3 Steering rack gaiter - renewal



- 1 If lubricant is found to be leaking from the gaiters (at the ends of the housing), first check that the gaiter clips are secure.
- 2 If the lubricant is leaking from the gaiter through a split, the gaiter can be removed in the following way, without the necessity of withdrawing the gear from the car.
- 3 Remove the tie-rod end from the side concerned, as described in the preceding Section.
- 4 Release the gaiter clips; draw the gaiter from the rack housing and off the tie-rod.
- 5 If the gaiter has only just split, road dirt is unlikely to have entered and lubricant can be wiped away. If it is severely grit contaminated, the steering gear should be completely removed, the original lubricant flushed out and new lubricant pumped in.
- 6 If the gear does not have to be removed from the car, slide the new gaiter into position and secure it with the inboard clip.
- 7 The rack lubricant is molybdenum disulphide type grease.
- 8 When recharging the gaiter with this type of lubricant, give full steering lock to the side being replenished so that the extended



5.6 Steering column upper mounting

section of the rack will take the grease into the housing as it returns.

- 9 Reconnect the tie-rod end to the tie-rod and the eye of the steering arm. Provided the locknut is tightened by only rotating it through the same distance by which it was loosened, the front wheel alignment (tracking) should not have been unduly disturbed. Even so, check the alignment as described in Section 8.

4 Steering wheel - removal and refitting



- 1 Disconnect the battery negative lead.
- 2 Set the steering wheel and the front roadwheels in the straight-ahead attitude. Prise out the hub plate (photo).
- 3 Unscrew and remove the steering wheel securing nut, then pull the wheel from the column shaft. If it is tight on its splines, tap it upward at the wheel rim, using the palms of the hands.
- 4 Refitting is a reversal of the removal process; make sure that the spokes of the wheel are in the lower part of the wheel.
- 5 Tighten the securing nut to the specified torque.

5 Steering column - removal, overhaul and refitting



- 1 Remove the steering wheel as previously described.
- 2 Extract the screws from the underside of the steering column upper shroud and then lift off the upper and lower shroud sections (photo). Where applicable, detach and remove the trim panel from the underside of the fascia on the driver's side.
- 3 Disconnect the battery negative lead.
- 4 Disconnect the wiring plug for the steering column combination switch.
- 5 Unscrew the clamp nuts and pull the combination switch off the end of the steering shaft.
- 6 Unscrew the column upper mounting bracket bolts and lower the shaft/column tube to rest on the seat (photo).
- 7 Remove the pinch-bolt from the lower universal joint coupling and remove the shaft/column tube from the car.

Overhaul

- 8 Remove the pinch-bolt from the upper universal joint and disconnect the lower shaft.
- 9 Grip the tube mounting flange in the jaws of a vice and relieve the staking at the base of the tube.
- 10 Using a plastic or copper-faced hammer, tap the shaft down out of the tube.
- 11 The lower bush will be ejected while the upper one should be prised out of the tube.
- 12 Reassemble the upper shaft into the tube by tapping new bushes into position.



Fig. 10.2 Removing steering column shroud screws (Sec 5)

13 Stake the lower end of the tube to retain the bush.

14 Reassembly is a reversal of removal, noting that the universal joint coupling pinch-bolts should pass smoothly through the grooves in the steering shaft.

15 Fit the steering wheel when the roadwheels are in the straight-ahead position.

16 Tighten all nuts and bolts to the specified torque. Reconnect the battery.

6 Steering rack - removal and refitting



1 Set the steering in the straight-ahead mode.

2 Working inside the car, disconnect the



6.2 Steering shaft coupling



6.4 Steering rack housing at pinion end



Fig. 10.3 Unscrewing combination switch clamp nuts (Sec 5)

steering shaft lower coupling by unscrewing and removing the pinch-bolt (photo).

3 Disconnect the tie-rod end balljoints from the steering arms as described earlier in this Chapter.

4 Unscrew and remove the rack clamp mounting bolts and withdraw the steering gear from the car crossmember (photo).

5 Refitting is a reversal of removal, but on completion check the front wheel alignment as described in Section 8.

7 Steering gear - overhaul



1 A worn steering gear should not be overhauled, but a new or factory reconditioned unit fitted.

2 After a high mileage, the following adjustment may be needed however.

Rack damper - adjustment

3 The slipper in the rack housing presses the rack into mesh with the pinion. This cuts out any backlash between the gears. Also, due to its pressure, it introduces some stiffness into the rack, which cuts out excessive reaction from the road to the steering wheel.

4 In due course, wear reduces the pressures exerted by the slipper. The pressure is controlled by the cover plate and a spring.

5 The need for resetting of the slipper is not easy to detect. On bumpy roads, the shock

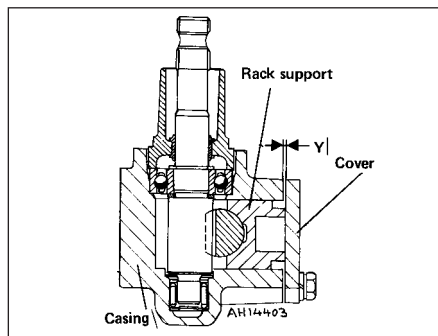


Fig. 10.5 Sectional view of rack damper (Sec 7)



Fig. 10.4 Renewing steering shaft bushes (Sec 5)

induced through the steering will give a feeling of play, and sometimes faint clonking can be heard. In extreme cases, free play in the steering may be felt, though this is rare. If the steering is compared with that of a new rack on another car, the lack of friction damping is quite apparent in the ease of movement of the steering wheel of the worn one.

6 Centralise the steering rack. Do this by counting the number of turns lock-to-lock and then turning the steering wheel from one lock through half the number of turns counted.

7 Take the cover plate off the damping slipper, remove the spring and shims, and refit the cover plate.

8 Screw in the cover plate bolts just enough to hold the slipper against the rack.

9 Measure the gap between the cover plate and the rack housing using feeler blades.

10 Select shims from the thicknesses available (0.10, 0.125 and 0.30 mm) to provide a shim pack thicker than the gap by between 0.05 and 0.13 mm.

11 Remove the cover plate, fit the spring and bolt on the cover plate with the selected shims.

8 Steering angles and front wheel alignment



1 Accurate front wheel alignment is essential to provide good steering and roadholding characteristics and to ensure slow and even tyre

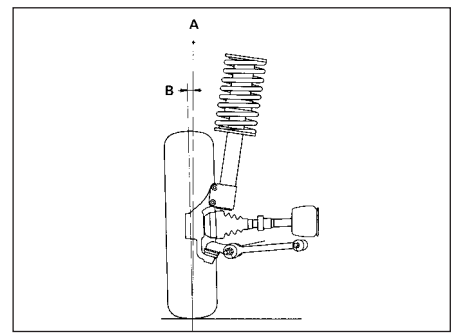


Fig. 10.6 Camber angle (Sec 8)
A Vertical line B Camber angle (positive)

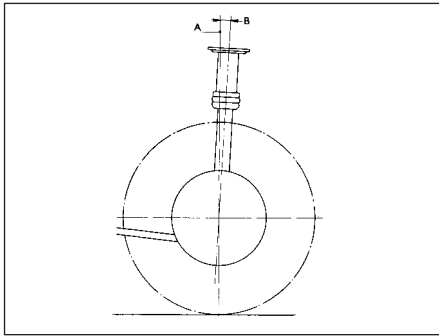


Fig. 10.7 Castor angle (Sec 8)

A Vertical line B Castor angle (positive)

wear. Before considering the steering angles, check that the tyres are correctly inflated, that the front wheels are not buckled, the hub bearings are not worn or incorrectly adjusted and that the steering linkage is in good order, without slackness or wear at the joints.

2 Wheel alignment consists of four factors:

Camber, is the angle at which the road wheels are set from the vertical when viewed from the front or rear of the vehicle. Positive camber is the angle (in degrees) that the wheels are tilted outwards at the top from the vertical.

Castor, is the angle between the steering axis and a vertical line when viewed from each side of the vehicle. Positive castor is indicated when the steering axis is inclined towards the rear of the vehicle at its upper end.

Steering axis inclination, is the angle when viewed from the front or rear of the vehicle between vertical and an imaginary line drawn between the upper and lower suspension strut mountings.

Toe, is the amount by which the distance between the front inside edges of the roadwheel rims differs from that between the rear inside edges.

3 If the distance between the front edges is less than that at the rear, the wheels are said to toe-in. If the distance between the front inside edges is greater than that at the rear, the wheels toe-out.

4 Camber and castor are set during production of the car and are not adjustable. Any deviation from specification will be due to

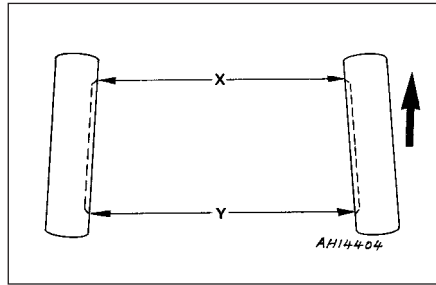


Fig. 10.8 Front wheel alignment diagram (Sec 8)

X Front dimension Y - X = Toe-in
Y Rear dimension

collision damage or to gross wear in the components concerned.

5 To check the front wheel alignment, first make sure that the lengths of both tie-rods are equal when the steering is in the straight-ahead position. Measure between the locknut at the balljoint and the ball cup at the end of the rack housing by passing a thin rod under the rack of the gaiter. If adjustment is required, release the locknut and turn the tie-rod.

6 Obtain a tracking gauge. These are available in various forms from accessory stores or one can be fabricated from a length of steel tubing suitably cranked to clear the sump and bellhousing and having a setscrew and locknut at one end.

7 With the gauge, measure the distance between the two wheel inner rims (at hub height) at the rear of the wheel. Push the vehicle forward to rotate the wheel through 180° (half a turn) and measure the distance between the wheel inner rims, again at hub height, at the front of the wheel. This last measurement should differ from (be less than) the first by the appropriate toe-in according to the Specification (see Specifications Section).

8 Where the toe-in is found to be incorrect, release the tie-rod balljoint locknuts and turn the tie-rods equally. Only turn them a quarter of a turn at a time before re-checking the alignment. Viewed from the centre line of the car, turning the tie-rod clockwise will decrease the toe-in.

9 Make sure that the gaiter outboard clip is



Fig. 10.9 Steering column lock shear bolts (arrowed) (Sec 9)

released otherwise the gaiter will twist as the tie-rod is rotated.

10 Always turn both rods in the same direction when viewed from the centre line of the vehicle otherwise the rods will become unequal in length. This would cause the steering wheel spoke position to alter and cause problems on turns with tyre scrubbing.

11 On completion, tighten the tie-rod balljoint locknuts without altering their setting. Check that the balljoint is at the centre of its arc of travel and then retighten the gaiter clip.

9 Steering column lock - removal and refitting



1 Remove the steering wheel and column shrouds as described in Section 5, also the steering column combination switch.

2 Unscrew and remove the steering column mounting bolts and lower the column to expose the lock shear bolts.

3 Drill out the bolts or extract them using an extractor.

4 Refer to Chapter 4 for details of separation of the ignition switch from the lock section.

5 When fitting the new lock, tighten the shear bolts until their heads break off.

6 Bolt up the column, fit the combination switch, shrouds and steering wheel and tighten all nuts and bolts to the specified torque.

Fault finding - steering

Note: Before diagnosing steering faults, be sure that trouble is not due to incorrect or uneven tyre pressures, inappropriate tyre combinations, or braking system or suspension defects.

Car pulls to one side

- Incorrect steering geometry
- Collision damage

Vibration at steering wheel

- Roadwheels out of balance or loose
- Tyre damage
- Loose driveshaft-to-hub nuts

Car wanders

- Play in steering gear
- Wear in steering balljoints

Heavy or stiff steering

- Lack of lubricant in steering gear or balljoints
- Incorrect steering geometry
- Collision damage

Play at steering wheel

- Wear in steering rack or balljoints
- Loose steering shaft coupling pinch-bolt or worn splines
- Worn steering column/shaft universal joints

Rattles from steering

- Steering damper defective or in need of adjustment
- Loose steering column mounting bolts
- Loose steering column/shaft coupling pinch-bolts
- Loose steering rack housing mounting bolts
- Worn steering shaft bushes

Excessive or uneven tyre wear

- Incorrect steering geometry
- Worn steering components
- Collision damage

Chapter 11 Suspension

For modifications, and information applicable to later models, see Supplement at end of manual

Contents

Fault finding - suspension	See end of Chapter	Maintenance	2
Front coil spring - removal and refitting	4	Rear coil spring - removal and refitting	9
Front crossmember - removal and refitting	7	Rear shock absorber - removal and refitting	8
Front hub carrier - removal and refitting	5	Rear suspension - removal and refitting	11
Front suspension strut - removal and refitting	3	Track control arm - removal and refitting	6
General description	1	Trailing arm rubber bush - renewal	10

Degrees of difficulty

Easy , suitable for novice with little experience 	Fairly easy , suitable for beginner with some experience 	Fairly difficult , suitable for competent DIY mechanic 	Difficult , suitable for experienced DIY mechanic 	Very difficult , suitable for expert DIY or professional 
---	--	--	---	--

Specifications

Front suspension

Type Independent with MacPherson struts and coil springs

Coil springs

Free height:

903 cc models	334 mm (13.16 in)
1116 and 1301 cc models	342 mm (13.5 in)

Number of coils 4.25

Rear suspension

Type Beam axle, trailing arms, coil springs and double-acting gas-filled shock absorbers

Coil springs

Free height 246.5 mm (9.7 in)

Number of coils 2.75

Torque wrench settings

	Nm	lbf ft
Front suspension		
Driveshaft/hub nut	272	200
Strut upper mounting nuts	24	18
Strut spindle nut	60	44
Strut base clamp bolts	49	36
Track control arm balljoint nuts	49	36
Track control arm inboard mounting bolts	90	66
Roadwheel bolts	86	63
Crossmember bolts	60	44
Rear suspension		
Trailing arm bracket to body bolts	20	15
Trailing arm pivot bolt	70	52
Shock absorber lower mounting bolt	30	22
Shock absorber upper mounting nuts	12	9
Shock absorber spindle nut	30	22
Roadwheel bolts	86	63

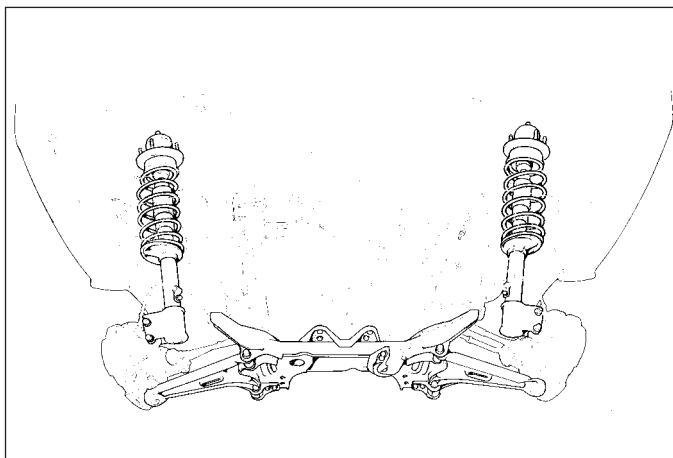


Fig. 11.1 Front suspension arrangement (Sec 1)

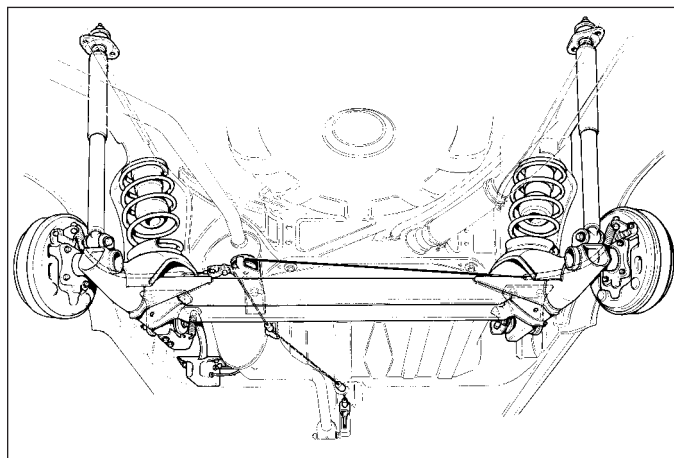


Fig. 11.2 Rear suspension arrangement (Sec 1)

1 General description

The front suspension is of independent MacPherson strut type.

The rear suspension consists of a beam axle with trailing arms, coil springs and double acting gas-filled telescopic shock absorbers.

Operations covering the hubs, roadwheels and tyres are described in Chapter 7.

2 Maintenance



1 Periodically check the tightness of all suspension nuts and bolts using a torque wrench.

2 At the intervals specified in "Routine Maintenance" inspect all suspension rubber bushes for deterioration or wear. Renew where necessary.

3 Check for wear in the track control arm to hub carrier balljoint. Do this by raising the roadwheel and prising the control arm down. If the hub carrier is pulled outwards, any up and down movement or slackness will necessitate renewal of the track control arm, although it may be possible to obtain a balljoint repair kit from a motor factor.

4 A defective strut or shock absorber can usually be detected by the tendency of the car to pitch badly when braking or cornering. However the component can be tested more thoroughly in the following way.

5 Remove the strut and take off the coil spring or withdraw the rear shock absorber as described later in this Chapter.

6 Grip the strut or shock absorber lower mounting in the jaws of a vice and then fully extend and contract the unit five or six times, with the unit held in a vertical attitude. If there is any lack of resistance, jerkiness or seizure, then the unit will have to be renewed, no repair being possible. It is recommended that struts or

shock absorbers are renewed in pairs as axle sets, in order to maintain similar suspension characteristics on both sides of the car.

7 Check for signs of hydraulic fluid leakage from around the front strut spindle gland and also the condition of the dust excluding boot. Oil leakage will mean a new unit, a split boot can be renewed after having withdrawn the coil spring.

3 Front suspension strut - removal and refitting



1 Raise the front of the car, support it securely and remove the roadwheel.

2 Release the brake hydraulic hose from the strut by unscrewing the retaining clip bolt.

3 Unscrew and remove the two bolts from the clamp at the bottom of the strut, push the hub carrier down out of the clamp (photo).

4 Open the bonnet. Unscrew and remove the domed reinforcement cover. Then remove the strut top mounting nuts from the turret. Do not attempt to unscrew the centre spindle nut (photos).

5 Withdraw the strut downwards and out from under the wing (photo).

6 Coil spring clamps must now be fitted. These are available from most motor stores or can be hired (photo).

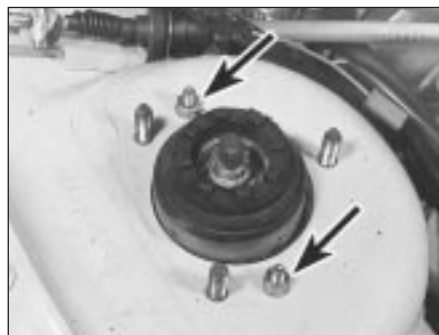
7 Once the spring has been compressed to



3.3 Strut clamp bolt



3.4A Strut reinforcement plate



3.4B Strut upper mounting nuts



3.5 Withdrawing a front strut

release its top coil from the strut upper mounting, hold the flats on the strut spindle and unscrew the spindle nut.

8 Take off the upper mounting components and the clamped coil spring. The clamps need not be removed if the spring is to be fitted to a new strut.

9 Commence reassembly by fitting the coil spring onto the strut. Make sure that the smaller coil is at the top and the lower coil is up against its end stop in the spring seat.

10 Check that the strut boot is in position.

11 Fit the upper mounting components and screw on the spindle nut.

12 Gently release the spring clamps and remove them.

13 Refit the strut to the car by reversing the removal operations.

Note: On cars built before 1985, when assembling the strut top mounting, apply a bead of sealant as shown in Figs. 11.4 and 11.5 to prevent the entry of water into the strut bearing. Later models are fitted with a rubber seal.



3.6 Spring clamps in position

2 The springs are colour coded according to model and a replacement must be of identical type to the original.

5 Front hub carrier - removal and refitting



1 Disconnect the driveshaft from the hub carrier as described in Chapter 7, Section 2, paragraphs 1 to 8.

2 Unbolt the brake caliper and tie it up out of the way.

3 Unscrew the nut from the track control arm balljoint taper pin and then separate the

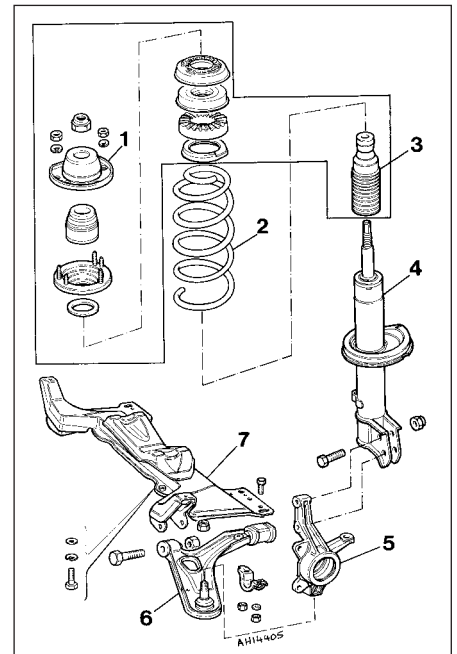


Fig. 11.3 Front strut components (Sec 3)

- | | |
|----------------------|---------------------|
| 1 Top mounting cover | 4 Strut |
| 2 Coil spring | 5 Hub carrier |
| 3 Boot | 6 Track control arm |
| | 7 Crossmember |

4 Front coil spring - removal and refitting



1 The operations are covered in the preceding Section.

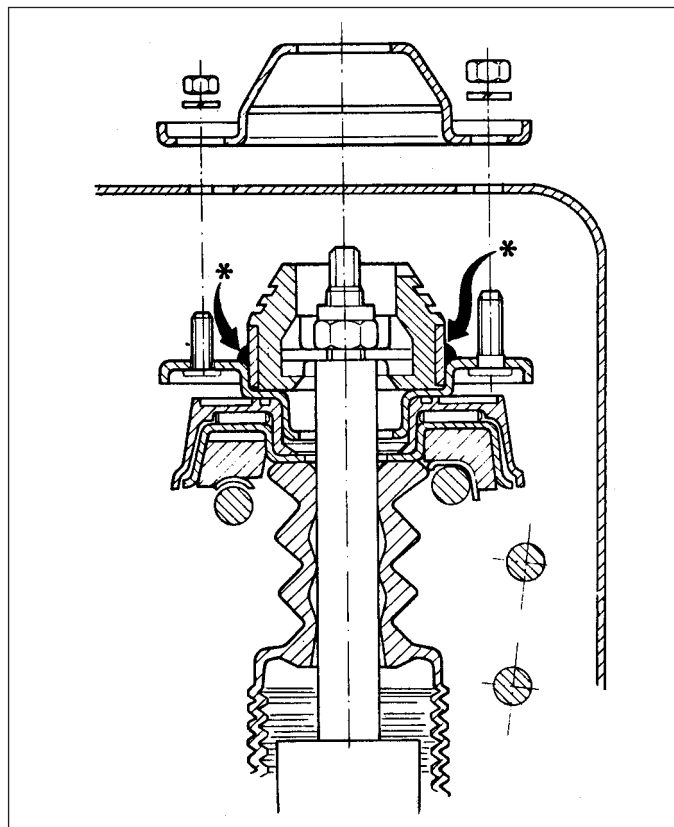


Fig. 11.4 Waterproof bead applied to strut with top cover removed (Sec 3)

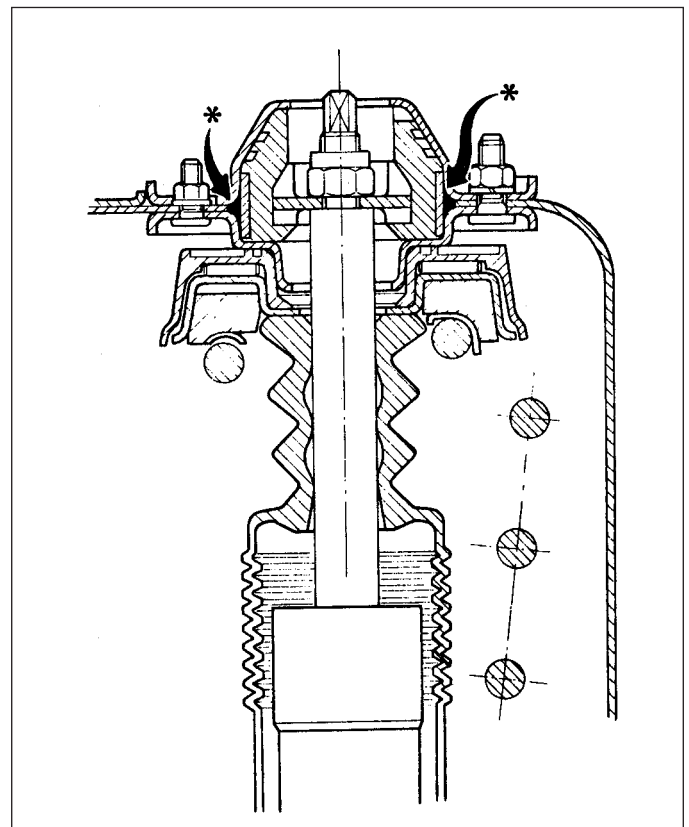


Fig. 11.5 Waterproof bead applied to strut with top cover in position (Sec 3)



6.2 Separating track control arm balljoint from hub carrier

balljoint from the hub carrier using a suitable “splitter” tool. If such a tool is not available, support the base of the brake disc and drive the balljoint taper pin downwards, but screw on the nut to protect the threads.

4 Remove the hub carrier.

5 Refitting is a reversal of removal, use a new driveshaft nut and tighten all nuts and bolts to the specified torque. Stake the driveshaft nut after tightening.

6 Track control arm - removal and refitting



1 Raise the front of the car and support it securely.

2 Unless a special tool is available to press the track control arm balljoint from the hub carrier, the driveshaft will have to be disconnected as described in Chapter 7, Section 2, paragraphs 1 to 8 to provide more space to enable the balljoint taper pin to be driven from the hub carrier. This should now be done as described in the preceding Section (photo).

3 Unbolt the inboard end of the track control arm. This is retained by a pivot bolt and a clamp (photo).

4 As previously explained, a worn balljoint or flexible pivot bushes will necessitate renewal of the track control arm complete. Note that it



Fig. 11.6 Steering rack mounting bolts (Sec 7)



6.3 Track control arm inboard fixing

may, however, be possible to obtain a replacement balljoint through a motor factor.

5 Refitting is a reversal of removal. Tighten all nuts and bolts to the specified torque. Use a new driveshaft nut and stake it into the driveshaft groove after tightening.

7 Front crossmember - removal and refitting



1 Raise the front of the car, support securely with axle stands placed under the side-members or sill jacking points.

2 Remove the front roadwheels.

3 Unscrew the nuts from the tie-rod end balljoint taper pins and then using a balljoint “splitter” tool disconnect the balljoints from the steering arms on the hub carrier.

4 Unscrew the bolts which hold the inboard track control arms to the body members, and also withdraw the pivot bolt from the body bracket.

5 Support the weight of the engine/transmission using a hoist or support bar across the top of the engine compartment as described in Chapter 6.

6 Disconnect the lower (central) engine/transmission flexible mounting from the floor pan.

7 Unscrew the steering rack mounting bolts



Fig. 11.7 Front crossmember bolts (Sec 7)

and remove them. Leave the steering rack hanging loose.

8 Remove the front crossmember mounting bolts and manoeuvre it from the car.

9 Refitting is a reversal of removal. Tighten all nuts and bolts to the specified torque wrench settings and on completion, check the front wheel alignment as described in Chapter 10.

8 Rear shock absorber - removal and refitting



1 Open the tailgate and remove the cover from the shock absorber top mounting which is located within the luggage area (photo).

2 Hold the flats on the spindle with an open-ended spanner and then unscrew the self-locking nut.

3 Working under the car, disconnect the shock absorber lower mounting.

4 Withdraw the unit from under the wing.

5 The shock absorber can be tested as described in Section 2.

6 Refitting is a reversal of removal. Tighten mounting nuts and bolts to the specified torque.

9 Rear coil spring - removal and refitting



1 Raise the rear of the car and support it securely on axle stands placed under the side-members or sill jacking points.

2 Remove the roadwheel.

3 Place a jack under the brake drum and support the suspension trailing arm.

4 Disconnect the shock absorber lower mounting and then lower the trailing arm jack until the coil spring can be withdrawn.

5 Refitting is a reversal of removal. If the spring is being changed, make sure that it is of the same colour code as the original and that its lower coil is correctly located up against its stop in the spring pan.

6 Tighten the shock absorber lower mounting bolt to the specified torque.



8.1 Rear shock absorber upper mounting cover

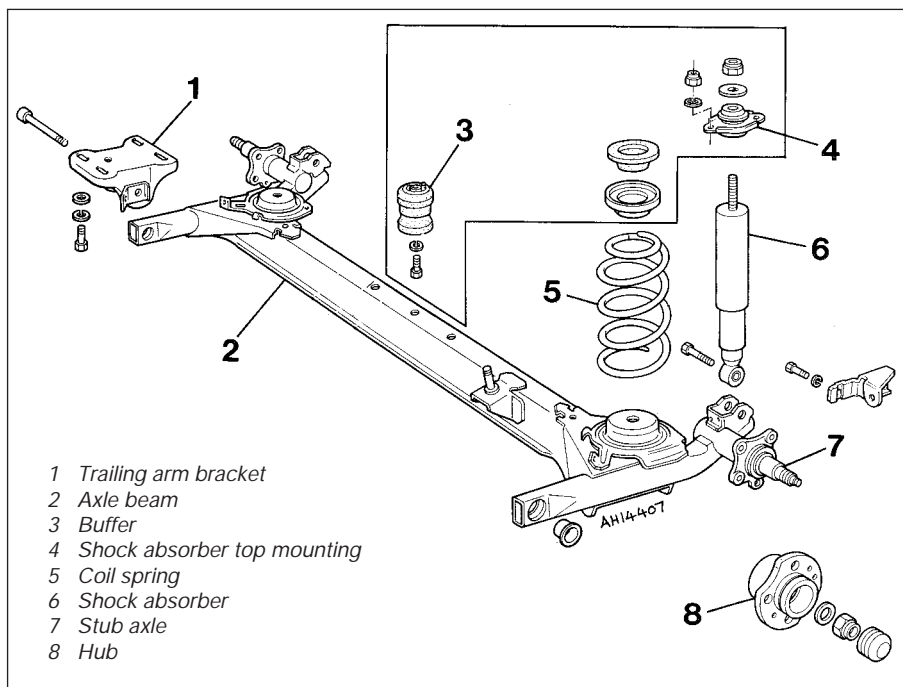


Fig. 11.8 Rear suspension components (Sec 8)



Fig. 11.9 Removing trailing arm pivot bolt (Sec 10)



Fig. 11.10 Method of renewing trailing arm bush (Sec 10)

10 Trailing arm rubber bush - renewal



- 1 A worn trailing arm rubber bush may be renewed in the following way.
- 2 Raise the rear of the car and support securely on axle stands placed under the body side-members or sill jacking points.
- 3 Remove the roadwheels.
- 4 Unscrew and remove both pivot bolts which hold the forward ends of the trailing arms to the body brackets.



Fig. 11.11 Handbrake cable and lever at brake backplate (Sec 11)

- 5 Pull the trailing arms downward out of the body brackets.
- 6 A two-legged puller may be used to press the old bush out and to force the new one in. Smear the bush with soapy water or brake fluid to facilitate fitting.
- 7 Reconnect the trailing arms to the body brackets. Use jacks if necessary to push the arms upwards into the brackets.
- 8 Tighten the pivot bolts to the specified torque, but only when the car has been located with four occupants or the equivalent plus 40 kg (88 lb) of luggage.



11.7 One side of the rear suspension

11 Rear suspension - removal and refitting



- 1 Raise the rear of the car, support it securely and remove the rear road wheels.
- 2 Unhook the brake pressure regulating valve arm tension spring from its bracket.
- 3 Disconnect the handbrake cables from the brake backplate levers.
- 4 Disconnect the flexible brake hose at its junction with the rigid pipeline adjacent to the pressure regulating valve. Cap the open ends of hose and pipe.
- 5 Support the trailing arms and then disconnect the shock absorber upper mountings.
- 6 Unbolt the trailing arm forward end support brackets from the body, lower the complete rear suspension and withdraw it from under the car.
- 7 Refitting is a reversal of removal, but tighten the trailing arm pivot bolts to the specified torque only when the car is loaded with four occupants and 40 kg (88 lb) of luggage (photo).
- 8 Bleed the brakes as described in Chapter 8.

Fault finding - suspension

Note: Before diagnosing suspension defects, be sure that trouble is not due to incorrect or uneven tyre pressures, in inappropriate combinations.

Car pulls to one side

- Worn or weak shock absorbers or struts on one side

Excessive roll on corners

- Weak shock absorbers or struts
- Coil spring weak or cracked

Car wanders or skips on rough surfaces

- Defective shock absorbers or struts

Vibration and wheel wobble

- Loose or defective shock absorbers or struts

Excessive or uneven tyre wear

- Worn suspension components






Chapter 12 Bodywork

For modifications, and information applicable to later models, see Supplement at end of manual

Contents

Bonnet - removal and refitting	7	Maintenance - upholstery and carpets	3
Bonnet - lock and release	8	Major body damage - repair	5
Centre console - removal and refitting	21	Minor body damage - repair	4
Door - dismantling	12	Opening side window (three-door) - removal and refitting	18
Door - removal and refitting	13	Radiator grille - removal and refitting	6
Door trim panel - removal and refitting	11	Rear bumpers - removal and refitting	26
Facia panel - removal and refitting	22	Rear seat - removal and refitting	20
Fixed side window (five-door) - removal and refitting	17	Rear view mirrors	24
Front bumpers - removal and refitting	9	Roof rack	27
Front seat - removal and refitting	19	Seat belts	23
Front wing - removal and refitting	10	Sunroof - operation and maintenance	28
General description	1	Tailgate - removal and refitting	14
Grab handles	25	Tailgate glass - removal and refitting	16
Maintenance - bodywork and underframe	2	Windscreen glass - removal and refitting	15

Degrees of difficulty

Easy , suitable for novice with little experience 	Fairly easy , suitable for beginner with some experience 	Fairly difficult , suitable for competent DIY mechanic 	Difficult , suitable for experienced DIY mechanic 	Very difficult , suitable for expert DIY or professional 
---	--	--	---	--

Specifications

For dimensions, weights etc. refer to the Introductory Section of this Manual.

1 General description

The Uno is an all steel, welded Hatchback of unitary construction available in three- or five-door versions.

Various levels of trim and equipment are available depending upon model.

Factory fitted options include a sunroof, central door locking and electrically-operated front windows.

2 Maintenance - bodywork and underframe



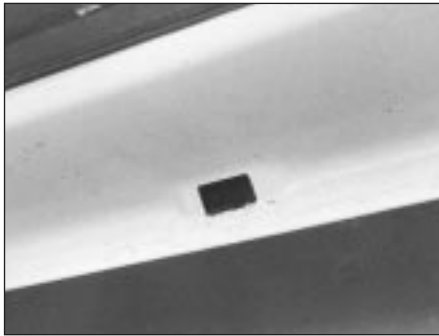
The general condition of a vehicle's bodywork is the one thing that significantly affects its value. Maintenance is easy, but needs to be regular. Neglect, particularly after minor damage, can lead quickly to further deterioration and costly repair bills. It is important also to keep watch on those parts of the vehicle not immediately visible, for instance the underside, inside all the wheel arches, and the lower part of the engine compartment.

The basic maintenance routine for the bodywork is washing - preferably with a lot of water, from a hose. This will remove all the loose solids which may have stuck to the vehicle. It is important to flush these off in such a way as to prevent grit from scratching the finish. The wheel arches and underframe need washing in the same way, to remove any accumulated mud, which will retain moisture and tend to encourage rust. Paradoxically enough, the best time to clean the underframe and wheel arches is in wet weather, when the mud is thoroughly wet and soft. In very wet weather, the underframe is usually cleaned of large accumulations automatically, and this is a good time for inspection.

Periodically, except on vehicles with a wax-based underbody protective coating, it is a good idea to have the whole of the underframe of the vehicle steam-cleaned, engine compartment included, so that a thorough inspection can be carried out to see what minor repairs and renovations are necessary. Steam-cleaning is available at many garages, and is necessary for the removal of the accumulation of oily grime, which sometimes is allowed to become thick in certain areas. If steam-cleaning facilities are not available, there are some excellent grease solvents available which can be brush-

applied; the dirt can then be simply hosed off. Note that these methods should not be used on vehicles with wax-based underbody protective coating, or the coating will be removed. Such vehicles should be inspected annually, preferably just prior to Winter, when the underbody should be washed down, and any damage to the wax coating repaired. Ideally, a completely fresh coat should be applied. It would also be worth considering the use of such wax-based protection for injection into door panels, sills, box sections, etc, as an additional safeguard against rust damage, where such protection is not provided by the vehicle manufacturer.

After washing paintwork, wipe off with a chamois leather to give an unspotted clear finish. A coat of clear protective wax polish will give added protection against chemical pollutants in the air. If the paintwork sheen has dulled or oxidised, use a cleaner/polisher combination to restore the brilliance of the shine. This requires a little effort, but such dulling is usually caused because regular washing has been neglected. Care needs to be taken with metallic paintwork, as special non-abrasive cleaner/polisher is required to avoid damage to the finish. Always check that the door and ventilator opening drain holes and pipes are completely clear, so that water



2.4A Door drain hole



2.4B Sill drain with non-return valve

can be drained out (photos). Brightwork should be treated in the same way as paintwork. Windscreens and windows can be kept clear of the smeary film which often appears, by the use of proprietary glass cleaner. Never use any form of wax or other body or chromium polish on glass.

3 Maintenance - upholstery and carpets



Mats and carpets should be brushed or vacuum-cleaned regularly, to keep them free of grit. If they are badly stained, remove them from the vehicle for scrubbing or sponging, and make quite sure they are dry before refitting. Seats and interior trim panels can be kept clean by wiping with a damp cloth. If they do become stained (which can be more apparent on light-coloured upholstery), use a little liquid detergent and a soft nail brush to scour the grime out of the grain of the material. Do not forget to keep the headlining clean in the same way as the upholstery. When using liquid cleaners inside the vehicle, do not over-wet the surfaces being cleaned. Excessive damp could get into the seams and padded interior, causing stains, offensive odours or even rot.



If the inside of the vehicle gets wet accidentally, it is worthwhile taking some trouble to dry it out properly, particularly where carpets are involved. Do not leave oil or electric heaters inside the vehicle for this purpose.

4 Minor body damage - repair



Note: For more detailed information about bodywork repair, Haynes Publishing produce a book by Lindsay Porter called "The Car Bodywork Repair Manual". This incorporates information on such aspects as rust treatment, painting and glass-fibre repairs, as well as

details on more ambitious repairs involving welding and panel beating.

Repairs of minor scratches in bodywork

If the scratch is very superficial, and does not penetrate to the metal of the bodywork, repair is very simple. Lightly rub the area of the scratch with a paintwork renovator, or a very fine cutting paste, to remove loose paint from the scratch, and to clear the surrounding bodywork of wax polish. Rinse the area with clean water.

Apply touch-up paint to the scratch using a fine paint brush; continue to apply fine layers of paint until the surface of the paint in the scratch is level with the surrounding paintwork. Allow the new paint at least two weeks to harden, then blend it into the surrounding paintwork by rubbing the scratch area with a paintwork renovator or a very fine cutting paste. Finally, apply wax polish.

Where the scratch has penetrated right through to the metal of the bodywork, causing the metal to rust, a different repair technique is required. Remove any loose rust from the bottom of the scratch with a penknife, then apply rust-inhibiting paint to prevent the formation of rust in the future. Using a rubber or nylon applicator, fill the scratch with bodystopper paste. If required, this paste can be mixed with cellulose thinners to provide a very thin paste which is ideal for filling narrow scratches. Before the stopper-paste in the scratch hardens, wrap a piece of smooth cotton rag around the top of a finger. Dip the finger in cellulose thinners, and quickly sweep it across the surface of the stopper-paste in the scratch; this will ensure that the surface of the stopper-paste is slightly hollowed. The scratch can now be painted over as described earlier in this Section.

Repairs of dents in bodywork

When deep denting of the vehicle's bodywork has taken place, the first task is to pull the dent out, until the affected bodywork almost attains its original shape. There is little point in trying to restore the original shape completely, as the metal in the damaged area will have stretched on impact, and cannot be reshaped fully to its original contour. It is

better to bring the level of the dent up to a point which is about 3 mm below the level of the surrounding bodywork. In cases where the dent is very shallow anyway, it is not worth trying to pull it out at all. If the underside of the dent is accessible, it can be hammered out gently from behind, using a mallet with a wooden or plastic head. Whilst doing this, hold a suitable block of wood firmly against the outside of the panel, to absorb the impact from the hammer blows and thus prevent a large area of the bodywork from being "belled-out".

Should the dent be in a section of the bodywork which has a double skin, or some other factor making it inaccessible from behind, a different technique is called for. Drill several small holes through the metal inside the area - particularly in the deeper section. Then screw long self-tapping screws into the holes, just sufficiently for them to gain a good purchase in the metal. Now the dent can be pulled out by pulling on the protruding heads of the screws with a pair of pliers.

The next stage of the repair is the removal of the paint from the damaged area, and from an inch or so of the surrounding "sound" bodywork. This is accomplished most easily by using a wire brush or abrasive pad on a power drill, although it can be done just as effectively by hand, using sheets of abrasive paper. To complete the preparation for filling, score the surface of the bare metal with a screwdriver or the tang of a file, or alternatively, drill small holes in the affected area. This will provide a really good "key" for the filler paste.

To complete the repair, see the Section on filling and respraying.

Repairs of rust holes or gashes in bodywork

Remove all paint from the affected area, and from an inch or so of the surrounding "sound" bodywork, using an abrasive pad or a wire brush on a power drill. If these are not available, a few sheets of abrasive paper will do the job most effectively. With the paint removed, you will be able to judge the severity of the corrosion, and therefore decide whether to renew the whole panel (if this is possible) or to repair the affected area. New body panels are not as expensive as most people think, and it is often quicker and more satisfactory to fit a new panel than to attempt to repair large areas of corrosion.

Remove all fittings from the affected area, except those which will act as a guide to the original shape of the damaged bodywork (eg headlight shells etc). Then, using tin snips or a hacksaw blade, remove all loose metal and any other metal badly affected by corrosion. Hammer the edges of the hole inwards, in order to create a slight depression for the filler paste.

Wire-brush the affected area to remove the powdery rust from the surface of the remaining metal. Paint the

affected area with rust-inhibiting paint, if the back of the rusted area is accessible, treat this also.

Before filling can take place, it will be necessary to block the hole in some way. This can be achieved by the use of aluminium or plastic mesh, or aluminium tape.

Aluminium or plastic mesh, or glass-fibre matting, is probably the best material to use for a large hole. Cut a piece to the approximate size and shape of the hole to be filled, then position it in the hole so that its edges are below the level of the surrounding bodywork. It can be retained in position by several blobs of filler paste around its periphery.

Aluminium tape should be used for small or very narrow holes. Pull a piece off the roll, trim it to the approximate size and shape required, then pull off the backing paper (if used) and stick the tape over the hole; it can be overlapped if the thickness of one piece is insufficient. Burnish down the edges of the tape with the handle of a screwdriver or similar, to ensure that the tape is securely attached to the metal underneath.

Bodywork repairs - filling and respraying

Before using this Section, see the Sections on dent, deep scratch, rust holes and gash repairs.

Many types of bodyfiller are available, but generally speaking, those proprietary kits which contain a tin of filler paste and a tube of resin hardener are best for this type of repair. A wide, flexible plastic or nylon applicator will be found invaluable for imparting a smooth and well-contoured finish to the surface of the filler.

Mix up a little filler on a clean piece of card or board - measure the hardener carefully (follow the maker's instructions on the pack), otherwise the filler will set too rapidly or too slowly. Using the applicator, apply the filler paste to the prepared area; draw the applicator across the surface of the filler to achieve the correct contour and to level the surface. As soon as a contour that approximates to the correct one is achieved, stop working the paste - if you carry on too long, the paste will become sticky and begin to "pick-up" on the applicator. Continue to add thin layers of filler paste at 20-minute intervals, until the level of the filler is just proud of the surrounding bodywork.

Once the filler has hardened, the excess can be removed using a metal plane or file. From then on, progressively-finer grades of abrasive paper should be used, starting with a 40-grade production paper, and finishing with a 400-grade wet-and-dry paper. Always wrap the abrasive paper around a flat rubber, cork, or wooden block - otherwise the surface of the filler will not be completely flat. During the smoothing of the filler surface, the wet-and-dry paper should be periodically rinsed in water. This will ensure that a very smooth finish is imparted to the filler at the final stage.

At this stage, the "dent" should be surrounded by a ring of bare metal, which in turn should be encircled by the finely "feathered" edge of the good paintwork. Rinse the repair area with clean water, until all of the dust produced by the rubbing-down operation has gone.

Spray the whole area with a light coat of primer - this will show up any imperfections in the surface of the filler. Repair these imperfections with fresh filler paste or bodystopper, and once more smooth the surface with abrasive paper. Repeat this spray-and-repair procedure until you are satisfied that the surface of the filler, and the feathered edge of the paintwork, are perfect. Clean the repair area with clean water, and allow to dry fully.



If bodystopper is used, it can be mixed with cellulose thinners to form a really thin paste which is ideal for filling small holes

The repair area is now ready for final spraying. Paint spraying must be carried out in a warm, dry, windless and dust-free atmosphere. This condition can be created artificially if you have access to a large indoor working area, but if you are forced to work in the open, you will have to pick your day very carefully. If you are working indoors, dousing the floor in the work area with water will help to settle the dust which would otherwise be in the atmosphere. If the repair area is confined to one body panel, mask off the surrounding panels; this will help to minimise the effects of a slight mis-match in paint colours. Bodywork fittings (eg chrome strips, door handles etc) will also need to be masked off. Use genuine masking tape, and several thicknesses of newspaper, for the masking operations.

Before commencing to spray, agitate the aerosol can thoroughly, then spray a test area (an old tin, or similar) until the technique is mastered. Cover the repair area with a thick coat of primer; the thickness should be built up using several thin layers of paint, rather than one thick one. Using 400-grade wet-and-dry paper, rub down the surface of the primer until it is really smooth. While doing this, the work area should be thoroughly doused with



6.2 Grille screw

water, and the wet-and-dry paper periodically rinsed in water. Allow to dry before spraying on more paint.

Spray on the top coat, again building up the thickness by using several thin layers of paint. Start spraying at one edge of the repair area, and then, using a side-to-side motion, work until the whole repair area and about 2 inches of the surrounding original paintwork is covered. Remove all masking material 10 to 15 minutes after spraying on the final coat of paint.

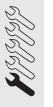
Allow the new paint at least two weeks to harden, then, using a paintwork renovator, or a very fine cutting paste, blend the edges of the paint into the existing paintwork. Finally, apply wax polish.

5 Major body damage - repair



- 1 Major repair to the body should be left to your Fiat dealer or specialist body repairer.
- 2 Special jigs and alignment gauges are required without which steering and suspension characteristics may be incorrect after the repairs are completed.

6 Radiator grille - removal and refitting



- 1 Open the bonnet.
- 2 Extract the single fixing screw from the centre of the grille slats (photo).
- 3 Release the retaining clips and withdraw the grille upwards from its lower spigot holes (photo).
- 4 Refitting is a reversal of removal.

7 Bonnet - removal and refitting



- 1 Open the bonnet and support it on its stay.
- 2 Pencil around the hinges on the underside



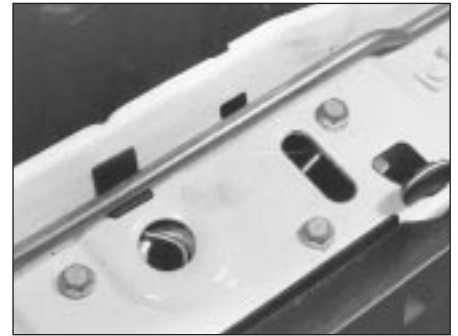
6.3 Grille clip



7.2 Bonnet hinge



8.1 Bonnet release lever



8.2 Bonnet lock

of the bonnet or stick strips of masking tape around them as a guide to refitting (photo).

3 With the help of an assistant, support the weight of the bonnet, unbolt the hinges and lift the bonnet from the car.

4 Refitting is a reversal of removal, but do not fully tighten the hinge bolts until the bonnet has been gently closed and its alignment checked. If the gap between the bonnet and the front wings is not equal on both sides, release the hinge bolts and move the bonnet within the elongation provided at the bolt holes.

8 Bonnet lock and release



1 The bonnet lock is operated by a remote control lever inside the car through a cable (photo).

2 When closing the bonnet, the spring-loaded striker should enter the lock centrally. If it does not, release the lock bolts and slide the lock as necessary (photo).

3 Engagement of the striker in the lock should be adjusted for depth in order that the surface of the bonnet is level with the front wings. To do this, release the striker locknut and turn the striker in or out by inserting a screwdriver in its slot.

4 In conjunction with the striker adjustment, screw the bonnet rubber buffers in or out as necessary to provide secure rattle-free closure of the bonnet (photo).

5 If the lock must be removed, first withdraw the radiator grille as described in Section 6.

6 To renew the release cable, unclip and lower the release lever under the fascia panel.

7 Disconnect the cable from the lever and then slip it from the lock operating arm. Withdraw the cable.

8 Refit the new cable by reversing the removal operations.

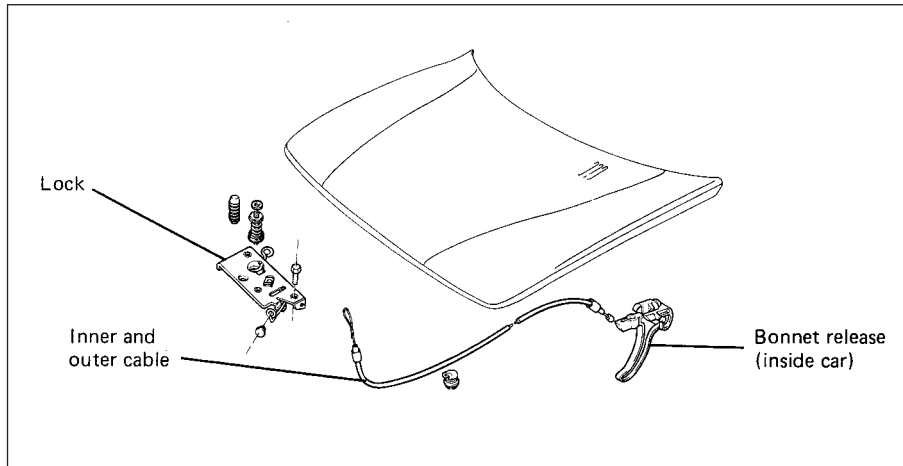


Fig. 12.1 Bonnet lock and release cable (Sec 8)

9 Front bumpers - removal and refitting



1 Remove the radiator grille as described in Section 6 to expose the two upper bumper fixing screws. Remove them (photos).

2 Working inside at the lower edge of the bumper remove the three fixing bolts.

3 Finally, unscrew the side bracket fixing bolts and lift the bumper away.

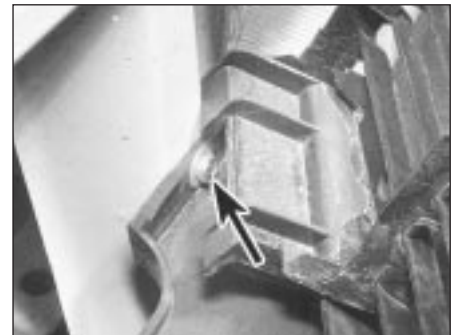
4 Refitting is a reversal of removal.



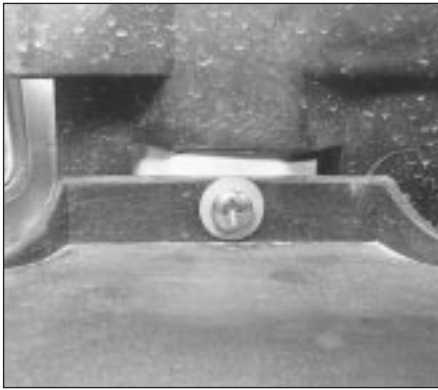
8.4 Bonnet buffer



Fig. 12.2 Adjusting bonnet lock striker (Sec 8)



9.1A Front bumper upper fixing screw



9.1B Front bumper upper fixing screw

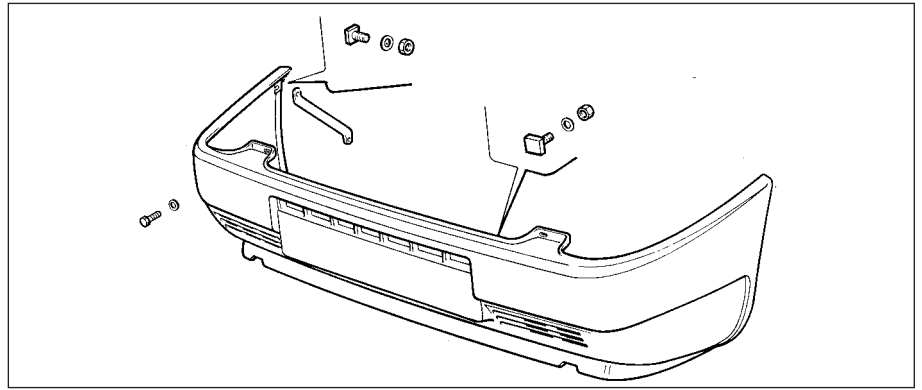


Fig. 12.3 Front bumper (Sec 9)

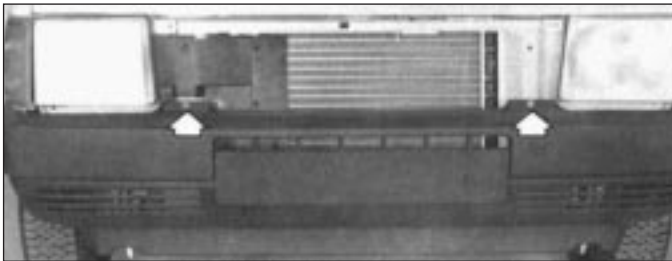


Fig. 12.4 Front bumper upper screws (Sec 9)

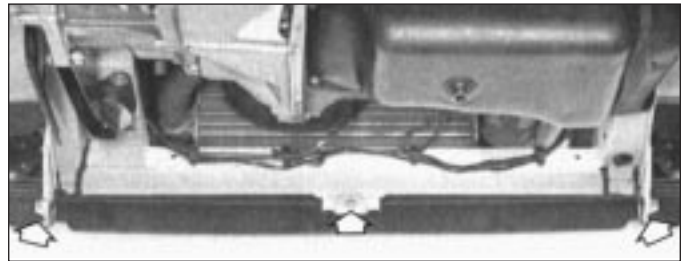


Fig. 12.5 Front bumper lower screws (Sec 9)

10 Front wing - removal and refitting



1 Remove the headlamp and front parking lamp as described in Chapter 9.



10.4A Unscrewing wing shield screw



10.4B Removing wing shield

- 2 Withdraw the side repeater lamp and disconnect the leads.
- 3 Remove the front roadwheel.
- 4 Working under the wing, remove the fixing screw and withdraw the plastic protective shield (photos).
- 5 Unscrew the wing lower fixing screws at the front and rear ends.
- 6 Open the bonnet and support it. Then unscrew and remove the row of fixing screws from the inner top edge of the wing.
- 7 The wing joints will have to be cut round with a sharp knife to release the mastic seal before the wing can be lifted away.
- 8 Clean the body mating flanges in readiness for fitting the new wing.
- 9 Apply a bead of mastic to the body flanges and offer the new wing into position.
- 10 Refit the fixing screws.
- 11 Apply protective coating to the underside of the wing and refinish the outer surface to match the bodywork.



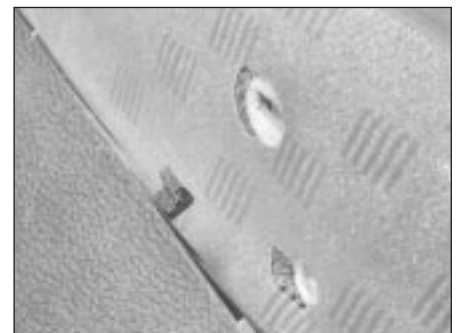
11.1A Removing an armrest screw

- 12 Refit the headlamp, parking lamp and repeater lamp.
- 13 Fit the under wing shield and the roadwheel, close the bonnet.

11 Door trim panel - removal and refitting



- 1 Open the door and extract the three armrest fixing screws. Remove the armrest in a downward direction (photos).
- 2 Remove the screws from the door tidy bin (photo).
- 3 Push the door remote control escutcheon rearwards towards the door lock and remove it (photos).
- 4 Remove the window regulator handle spring clip. Do this by inserting a length of wire with a hooked end or by pulling a strip of



11.1B Removing armrest downward



11.2 Door tidy bin screw



11.3A Removing remote control handle escutcheon



11.3B Remote control handle withdrawn



11.4 Window regulator handle removed



11.6 Removing door trim panel



11.7 Window regulator handle ready for fitting

rag between the handle and the door trim panel at its lower gap (photo).

5 Insert the fingers or a broad blade between the trim panel and the door and release the panel.

6 Remove the trim panel and the waterproof sheet (photo).

7 Refitting is a reversal of removal, but when refitting the window regulator handle locate its retaining spring clip fully and then simply locate the handle on its splined shaft and strike it sharply with the hand. Make sure that with the window fully closed, the angle of the regulator handle matches the one on the opposite door (photo).



Fig. 12.6 Door glass mounting screw (Sec 12)



Fig. 12.7 Removing door weatherseal (Sec 12)

12 Door - dismantling



1 Remove the trim panel as described in the preceding Section.

Lock remote control handle

2 Slide the handle rearwards to disengage the tabs from the cut-outs.

3 Rotate the lock handle and disconnect it from the link rod.

Door glass

4 Extract the screws from the glass mounting.

5 With the glass fully lowered, remove the weatherseal strips from the glass slot in the door.



Fig. 12.8 Removing door glass (Sec 12)

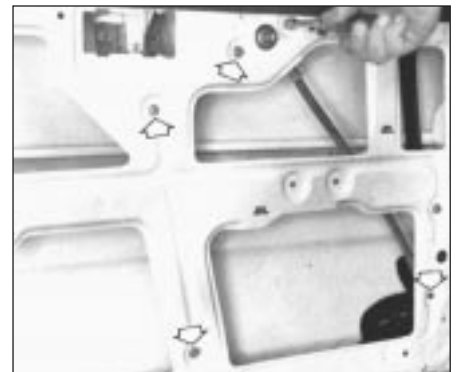


Fig. 12.9 Door window regulator fixing screws (Sec 12)



12.7 Door glass mounting

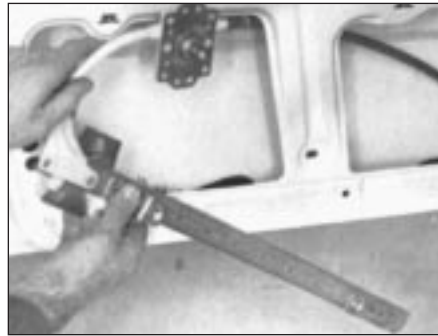


Fig. 12.10 Removing door window regulator (Sec 12)



Fig. 12.11 Removing door handle fixing screw (three-door model) (Sec 12)

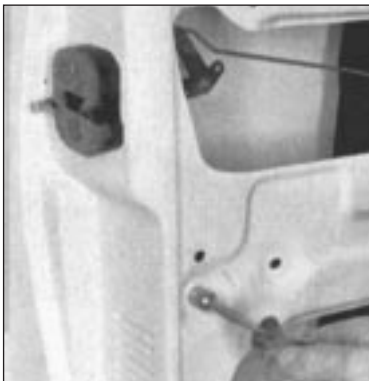


Fig. 12.12 Extracting glass guide channel screw (Sec 12)

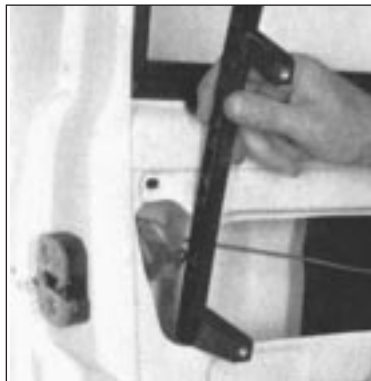


Fig. 12.13 Removing glass guide channel (Sec 12)

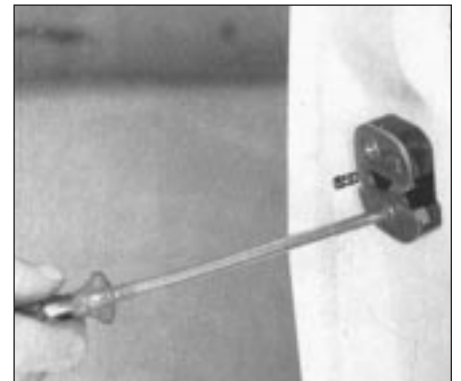


Fig. 12.14 Removing door lock fixing screw (Sec 12)

6 Turn the glass very carefully and withdraw it from the door. A new glass is supplied complete with lower mounting.

Window regulator

7 Extract the fixing screws (arrowed) (Fig. 12.9) and withdraw the regulator from the door through one of the larger lower apertures (photo).

Door lock (three-door)

8 Extract the screw and remove the handle from the edge of the door.

9 Remove the glass guide channel fixing bolts and withdraw the channel from the door.

10 Extract the screws which hold the lock to the edge of the door and remove it.

Door lock (five-door)

11 Extract the screws which hold the lock to the door edge. Withdraw the lock and disconnect the lock plunger link rod (photo).

12 The exterior handle with cylinder lock can be removed by reaching into the door cavity and unscrewing the two fixing nuts.

Refitting

13 This is a reversal of the removal operations. Oil and grease the lock and window regulator mechanism.

13 Door - removal and refitting



1 Open the door fully and support it under its lower edge on jacks or blocks covered with an insulating pad.

2 The door hinges are fixed to the doors with hexagonal headed bolts and to the body pillar with socket-headed bolts.

3 The door check is incorporated in the lower hinge (photo).

4 On cars equipped with door mounted

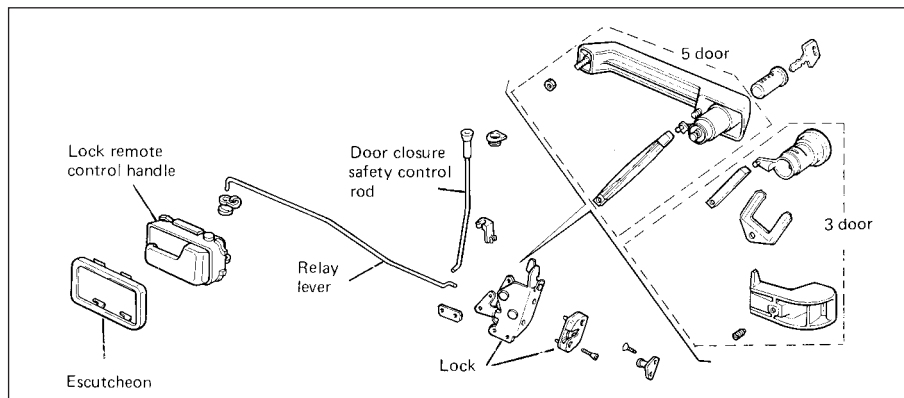


Fig. 12.15 Door lock components (Sec 12)



12.11 Door lock plunger rod



13.3 Door lower hinge



13.9 Door lock striker



14.2 Tailgate strut ball cup

speakers, central door locking or power operated windows, the electrical leads must be disconnected and withdrawn through the flexible duct before the door hinges are unbolted. Disconnection will require removal of the door trim panel as described in Section 11.

5 It is recommended that the door is unbolted from the hinge, leaving the hinge attached to the body pillar.

6 Refitting is a reversal of removal, but leave the bolts finger tight until the door has been gently closed and its alignment checked.

7 The door can be moved up and down or sideways using the travel provided by the elongated bolt holes.

8 If the door is not flush with the adjacent body panels then shims should be inserted under the hinges.

9 Adjust the striker to provide smooth positive closure (photo).

14 Tailgate - removal and refitting



1 Open the tailgate and have an assistant support it.

2 From the upper ends of the struts, prise out the locking wedges from the ball cups and disconnect the struts (photo).

3 Disconnect the washer tube.

4 Unscrew the hinge mounting bolts from the tailgate and lift the tailgate from the car (photo).

5 Refitting is a reversal of removal, but if

re-alignment is required, then the rear section of the roof lining will have to be removed and the hinge to body bolts released.

6 Adjust the position of the lock striker to provide smooth positive closure. The rubber buffers should be screwed in or out in conjunction with the adjustment of the striker (photos).

7 On some models, a remote control tailgate opening release lever is fitted. Removal and refitting of the cable is similar to that described in Section 8 (photo).

15 Windscreen glass - removal and refitting



1 Remove the interior rear view mirror, the tax disc and the wiper blade and arm.

2 If the glass is intact, go inside the car and pull the lip of the weatherseal downwards off the body metal all along the top edge.

3 Push the glass outwards while an assistant stands outside ready to catch it.

4 Clean the body flange and fit the weatherstrip to the glass.

5 Insert a length of strong cord in the body flange groove of the weatherseal so that the ends of the cord cross over at the centre of the bottom run and hang out a few inches.

6 Brush soapy water onto the edge of the body flange and then offer the glass to the



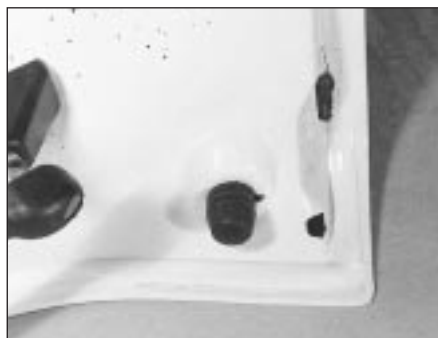
14.4 Tailgate hinge



14.6A Tailgate lock



14.6B Tailgate striker



14.6C Tailgate rubber buffer



14.7 Tailgate remote control release lever

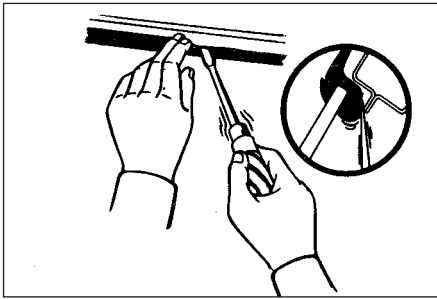


Fig. 12.16 Peeling back lip of windscreen glass weatherseal (Sec 15)

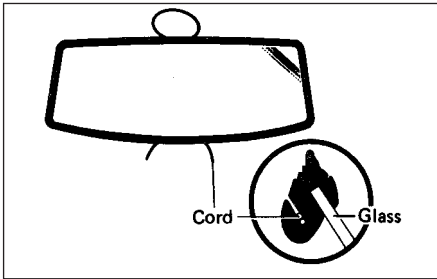


Fig. 12.17 Position of cord for fitting windscreen weatherseal (Sec 15)

body so that the bottom edge of the rubber seal engages over the metal flange.

7 With an assistant pressing on the outside of the glass, go inside and pull the cords evenly. This will draw the lip of the weatherseal over the body flange and seat the glass.

8 Tap the glass with the palm of the hand to settle it.

9 If the weatherseal is in good condition then it should prove waterproof, but if there is any doubt, apply sealant with a gun between the rubber and the glass and the rubber and the body flange.

10 Refit the mirror, tax disc and wiper.

16 Tailgate glass - removal and refitting



1 The operations are very similar to those described for the windscreen, but disconnect the leads from the heater element terminals.



19.1 Front seat mounting clamp

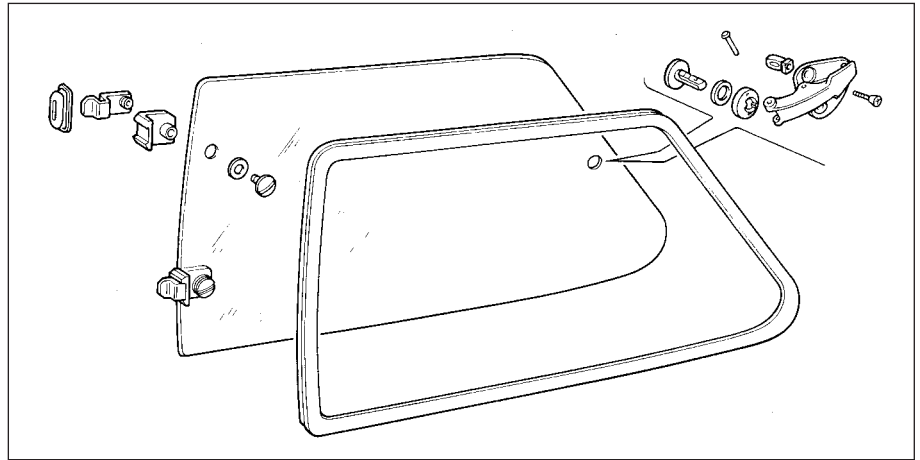


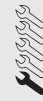
Fig. 12.18 Components of opening side window (Sec 18)

17 Fixed side window (five-door) - removal and refitting



1 The operations are similar to those described for the windscreen in Section 15.

18 Opening side window (three-door) - removal and refitting

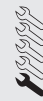


1 Have an assistant support the glass and then extract the screws from the hinges and the toggle type fastener.

2 Swivel the glass outwards and downwards to remove it.

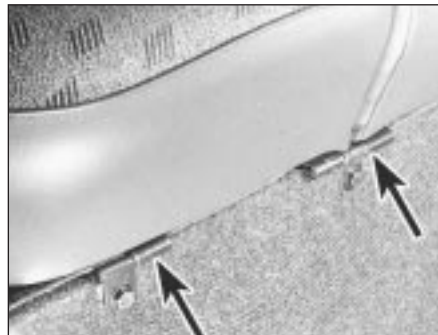
3 Refitting is a reversal of removal.

19 Front seat - removal and refitting



1 Unbolt the seat front anchorage clamps (photo).

2 Slide the seat fully rearwards out of its guide rails, but bend the end of the seat



20.2 Rear seat mounting hinges

adjustment lever so that it passes over its stop.

20 Rear seat - removal and refitting



1 The rear seat may be of one piece design or split (60/40) depending upon the model.

2 Either type of seat is easily removable once the hinge bolts have been unscrewed and removed (photo).

21 Centre console - removal and refitting



1 Pull the small black knobs from the heater control levers.

2 Extract the screws from both sides of the heater control panel, remove the panel. As the panel is withdrawn, disconnect the leads from the cigar lighter and take care not to damage the fibre optics.

3 From inside the glove box, prise out the lid stop block. Insert a screwdriver in the hole left by its removal and unscrew the console fixing screw (photo).



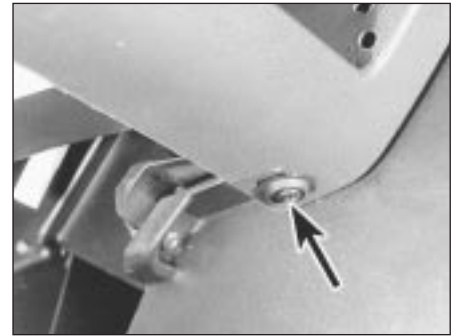
21.3 Removing screw (glovebox side) from centre console



Fig. 12.19 Fascia panel fixing screws (Sec 22)



22.5A Fascia fixing screw inside glovebox



22.5B Fascia panel lower mounting screw at centre console



22.5C Fascia panel lower mounting screw (left-hand side)



Fig. 12.20 Rear view of fascia panel showing fixing screw locations (Sec 22)

1 and 5 Clips

2, 3 and 4 Screws



23.3 Front seat belt lower mounting



23.4 Rear seat belt reel

- 4 Reach up behind the fascia panel on the side opposite to the glove box and unscrew the remaining console fixing screw.
- 5 Withdraw the console downwards and disconnect the fibre optics from their source.
- 6 Refitting is a reversal of removal.

- 3 Disconnect the choke control lever and cable from the fascia panel as described in Chapter 3.
- 4 Remove the screws arrowed in Fig. 12.19.
- 5 Remove the fascia fixing screws, their locations on the fascia are shown in Fig. 12.20. Screw (3) is inside the glove box (photos).
- 6 Release the fascia from the upper clips and withdraw it.
- 7 Refitting is a reversal of removal.

22 Fascia panel - removal and refitting



- 1 Remove the instrument panel as described in Chapter 9.
- 2 Remove the steering wheel (Chapter 10).

23 Seat belts



23.5 Front seat belt upper mounting

- 1 Seat belts are fitted as standard equipment to both the front and rear seats.
- 2 Regularly inspect the belts for fraying and if evident, renew the belt.
- 3 The front belt reel may be unbolted if the seat is pushed fully forward and the reel cover panel removed (photo).
- 4 The rear belt reels are located at each side of the luggage area (photo).
- 5 When removing or refitting a belt from its anchorage point, it is essential to maintain the original fitted sequence of spacer, washer and wave washer otherwise the belt anchor plate will not swivel (photo).



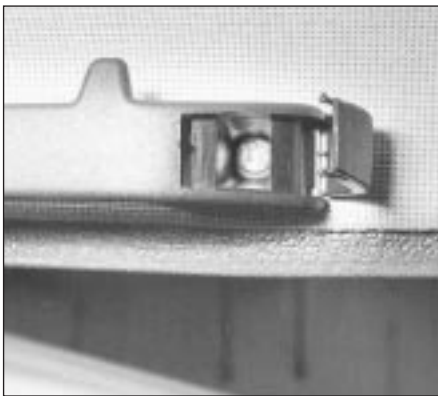
24.2 Exterior mirror control knob



24.3 Mirror ring nut and C-spanner



24.4 Withdrawing exterior mirror and trim plate



25.1 Grab handle screw

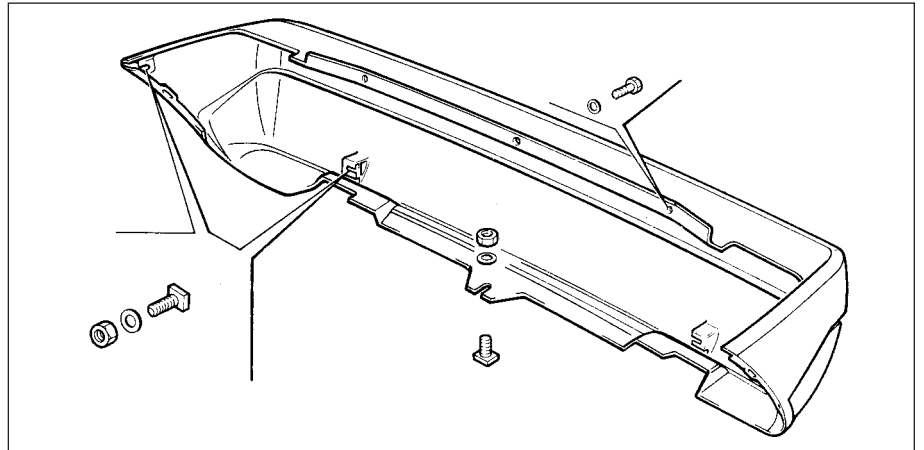


Fig. 12.21 Rear bumper (Sec 26)

24 Rear view mirrors



Interior

1 The mirror may be removed after extracting the fixing screws. The mirror is designed to break off if struck.

Exterior

- 2 The mirror is remotely controlled. To remove the mirror, peel back the rubber cover from the control knob (photo).
- 3 Unscrew the ring nut using a C-spanner or similar (photo).
- 4 Withdraw the mirror from its mounting hole, the triangular trim plate will come with it. Refitting is a reversal of removal (photo).

25 Grab handles



1 These are located above the door openings and can be removed if the end covers are prised back on their hinges to expose the fixing screws (photo).

26 Rear bumpers - removal and refitting



- 1 Refer to Chapter 9 and withdraw the number plate lamp. Disconnect the leads.
- 2 Open the tailgate and three bumper fixing bolts from the top edge.
- 3 Working under the car, remove the two side and the three lower edge fixing bolts.
- 4 Remove the bumper from the car.
- 5 Refitting is a reversal of removal.

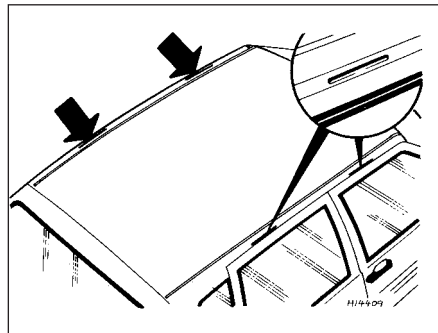


Fig. 12.22 Roof rack clamp locations (Sec 27)

27 Roof rack



- 1 As the car is not fitted with conventional type rain water gutters, the Fiat roof rack should be used which incorporates clamps which engage under the door arches. The doors are then closed on them.
- 2 On three-door models, the rear clamps fit into recesses provided just above the rear side window weatherseals.

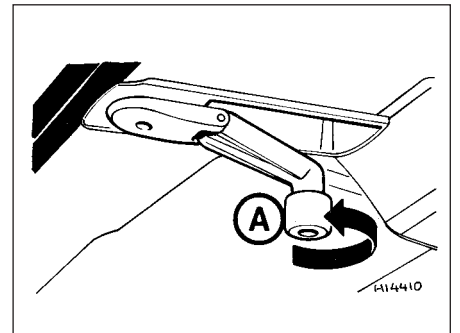


Fig. 12.23 Sunroof control handle (A) (Sec 28)

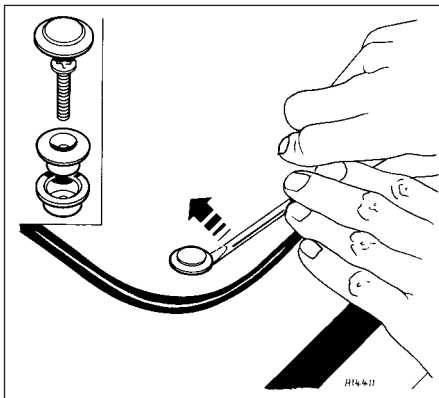


Fig. 12.24 Prising out sunroof glass panel screw caps (Sec 28)



Fig. 12.25 Extracting sunroof panel screw (Sec 28)

28 Sunroof - operation and maintenance



- 1 To unlock the sunroof, bring the control lever down and turn it anti-clockwise. The glass sunroof will partially rise and then slide rearwards.
- 2 A sliding louvre is provided to decrease noise and airflow.
- 3 On cars fitted with a sunroof, the interior lamps are of pillar-mounted type.
- 4 If the sunroof must be removed, prise out the screw caps using a thin blade.
- 5 Extract the screws which hold the glass panel to the rails.
- 6 The sunroof channel water drain hoses should be kept clear. If the hoses are to be cleared of obstruction remove the trim panels at the sides of the front footwells and insert a length of curtain spring in the bottom ends of the hoses.
- 7 The rear drain hoses are accessible once the parcels shelf supports are removed and the trim panels unclipped.

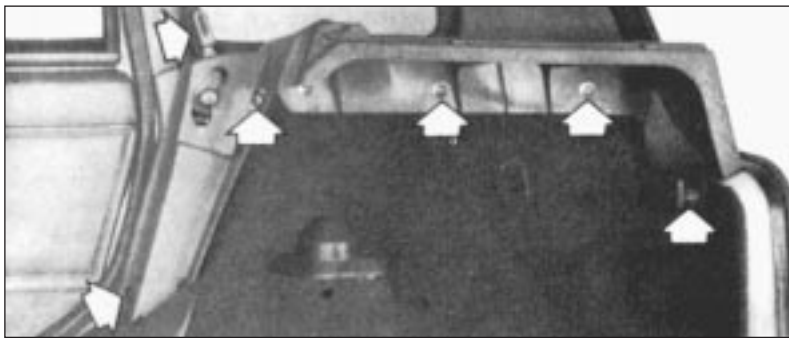


Fig. 12.26 Rear parcels shelf supports (Sec 28)

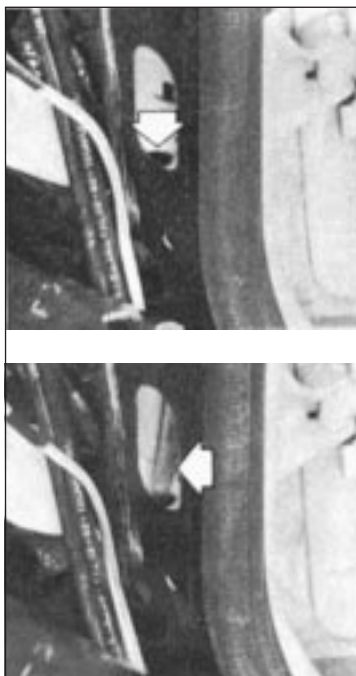


Fig. 12.27 Sunroof front drainhose routing at body pillar (Sec 28)

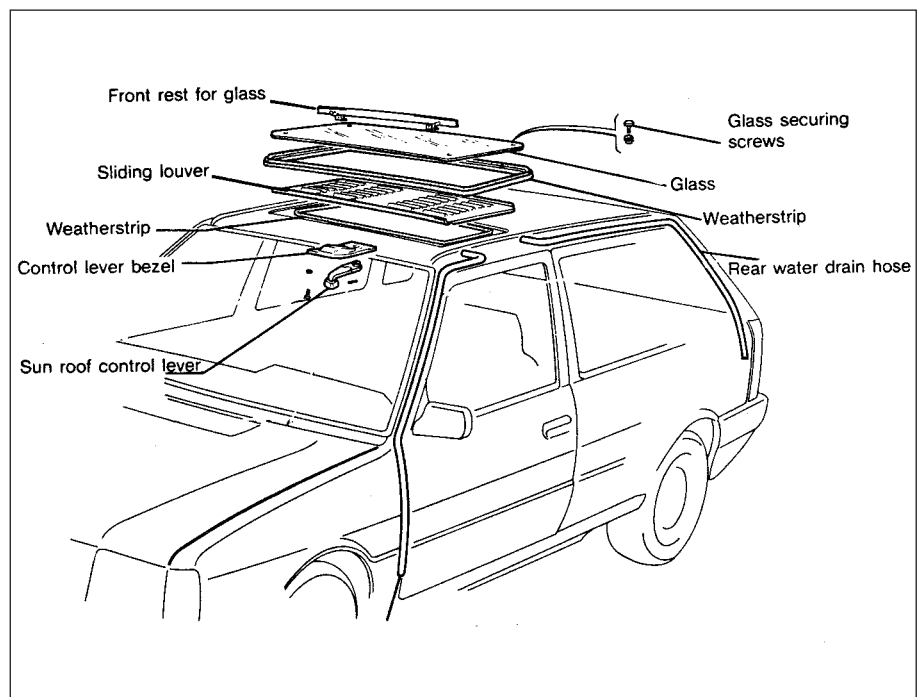


Fig. 12.28 Sunroof components (Sec 28)

Chapter 13 Supplement: Revisions and information on later models






Contents

Introduction	1	Part C: Engine removal, dismantling, reassembly and refitting	
Specifications	2	Engine/transmission - removal and separation	
Routine maintenance - all models from June 1991	3	Engine - dismantling and reassembly	
Engine 903 and 1299/1301 cc	4	Engine/transmission - reconnection and refitting	
Sump pan sealing strips (903 cc engine) - modification		Initial start-up after major overhaul	
1299 cc engine - description			
Rocker cover (903 cc engine) - removal			
Cylinder head (903 cc engine) - refitting			
Engine - 999 and 1108 cc (FIRE)	5	Engine 1372 cc ie and 1372 cc Turbo ie	7
Part A: General		Part A: General	
Description		Description	
Part B: Operations possible with engine in car		Maintenance	
Valve clearances - adjustment		Part B: Operations possible with the engine in car	
Timing belt - renewal		Valve clearances - checking and adjustment	
Camshaft - removal and refitting		Timing belt, tensioner and sprockets - removal and refitting	
Cylinder head - removal and refitting		Camshaft front oil seal - renewal	
Sump pan - removal and refitting		Camshaft, housing and followers - removal and refitting	
Oil pump - removal, checking and refitting		Camshaft housing, camshaft and cam followers - dismantling, inspection and reassembly	
Pistons/connecting rods - removal and refitting		Cylinder head (1372 cc ie engine) - removal and refitting	
Pistons/connecting rods - separation and piston ring renewal		Cylinder head (1372 cc Turbo ie engine) - removal and refitting	
Engine/transmission mountings - renewal		Cylinder head - inspection and renovation	
Part C: Engine removal and dismantling		Crankshaft front oil seal - removal and renewal	
Method of removal - general		Crankshaft rear oil seal - removal and renewal	
Engine/transmission - removal and separation		Flywheel - removal, inspection and refitting	
Dismantling - general		Sump - removal and refitting	
Complete dismantling		Oil pump - removal, checking and refitting	
Examination and renovation		Pistons/connecting rods - removal and refitting	
Part D: Engine reassembly and refitting		Pistons/connecting rods - examination and renovation	
Reassembly - general		Engine/transmission mountings - renewal	
Complete reassembly		Part C: Engine removal and dismantling	
Engine/transmission - reconnection and refitting		Method of removal - general	
Initial start-up after major overhaul		1372 cc ie engine/transmission - removal and separation	
Engine 1301 cc Turbo ie	6	1372 cc Turbo ie engine/transmission - removal and separation	
Part A: General		Engine dismantling - general	
Description		Auxiliary shaft - removal, inspection and refitting	
Lubrication system - description		Engine - complete dismantling	
Part B: Operations possible with engine in car		Crankshaft and main bearings - removal	
Camshaft and camshaft carrier - removal and refitting		Engine components - examination and renovation	
Cylinder head - removal and refitting		Part D: Engine reassembly	
Piston rings		Reassembly - general	
Engine mountings - renewal		Crankshaft and main bearings - refitting	
Timing belt - renewal		Pistons and connecting rods - refitting	
Oil pump drivegear cover plate		Oil pump - refitting	
Engine oil cooler - removal and refitting		Sump - refitting	
		Flywheel - refitting	
		Auxiliary shaft - refitting	
		Cylinder head - refitting	
		Timing belt and covers - refitting	
		Engine/transmission - reconnection and refitting	
		Initial start-up after major overhaul	

Cooling system	8	Part E: Bosch L3.1/2 Jetronic fuel injection systems	
Part A: 999 cc engine		Description	
Description		Fuel system - depressurisation	
Maintenance		Maintenance	
Thermostat - removal and refitting		Fuel filter - renewal	
Coolant pump - removal and refitting		Air cleaner element - renewal	
Part B: 1301 cc Turbo ie engine		Checks and adjustments	
Description		Injection system components - removal and refitting	
Part C: 1372 cc ie and 1372 cc Turbo ie engines		Part G: Turbocharger system	
Description		Description	
Maintenance		Precautions	
Cooling system - draining, flushing and refilling		Turbocharger (1301 cc ie engine) - removal and refitting	
Radiator (and cooling fan) - removal and refitting		Turbocharger (1372 cc ie engine) - removal and refitting	
Thermostat - removal and refitting		Intercooler - removal and refitting	
Coolant pump - removal and refitting		Injector cooling fan - removal and refitting	
Coolant pump/alternator drivebelt - checking, renewal and tensioning		Fault finding - fuel injection system	
Part D: Heater unit later models		Fault finding - turbocharger system	
Heater unit - removal and refitting			
Heater unit - dismantling and reassembly			
Fuel and exhaust systems	9	Ignition system	10
Part A: General		General	
Unleaded fuel		Ignition timing (all later models)	
Air cleaner modified types		Breakerless ignition system - description	
Fuel pump (999 cc engine) - description, removal and refitting		Distributor (breakerless type) - removal and refitting	
Fuel tank (999 cc engine)		Distributor (breakerless type) - overhaul	
Part B: Carburettor models		Breakerless ignition system components - testing	
Carburettor (Weber 32 TLF) - description		Microplex ignition system - description	
Carburettor (Weber 32 TLF) - idle speed and mixture		Distributor (Microplex) - removal and refitting	
Carburettor (Weber 32 TLF) - removal and refitting		Microplex ignition system components - testing	
Carburettor (Weber 32 TLF) - overhaul		Digiplex 2 ignition system - description	
Carburettor (Weber 30/32 DMTE) - general		Distributor (Digiplex 2) - removal and refitting	
Carburettor (Weber 30/32 DMTE) - overhaul		Spark plugs and HT leads - general	
Carburettor (Weber 32 ICEV 61/250 and DMTE 30/32, DMTE 30/150) - general		Fault finding - Microplex ignition system	
Carburettor (Solex C 30/32-CIC 8) - description			
Part C: Bosch LE-2 Jetronic fuel injection system		Clutch	11
Description		Clutch pedal adjustment (cable clutch)	
Maintenance		Hydraulic clutch - description	
Fuel filter - renewal		Maintenance (hydraulic clutch)	
Air cleaner element - renewal		Clutch master cylinder - removal, overhaul and refitting	
Idle speed and mixture - adjustment		Clutch operating cylinder - removal, overhaul and refitting	
Fuel injection system - electrical tests		Clutch hydraulic system - bleeding	
Fuel injection system - mechanical tests			
Fuel injection system components - removal and refitting		Transmission	12
Throttle control linkage - general		Part A: 1301 cc Turbo ie engine	
Fuel tank - general		Description	
Part D: Bosch Mono-Jetronic fuel injection system		Gearchange linkage - removal and refitting	
Description		Gearchange linkage (Antiskid models) - general	
Maintenance		Final drive output shafts - description and oil seal renewal	
Fuel filter - renewal		Part B: 1372 cc ie and 1372 cc Turbo ie engines	
Air cleaner element - renewal		Description	
Idle speed and mixture adjustment		Maintenance	
Accelerator control system - check and adjustment		Oil level - checking	
Fuel system - depressurisation		Oil - renewal	
Fuel pump and supply - system checks		Gearlever and linkages - general	
Fuel pump - removal and refitting		Transmission - removal and refitting	
Injector unit - removal and refitting		Part C: 999 and 1108 cc with C514 type transmission	
Intake air temperature sensor - removal and refitting		Description	
Fuel injector - removal and refitting		Maintenance	
Electronic control unit (ECU) - removal and refitting			
Inlet manifold - removal and refitting		Driveshafts	13
Exhaust manifold - removal and refitting		Inboard joint boots (non-Turbo models, September 1987 on) - modification	
Catalytic converter - general information		Intermediate driveshaft (Turbo ie models)	
Fuel evaporation control system - general		Inboard CV joints (Turbo ie models) - overhaul	
		Right-hand driveshaft damper weight (1108 and 1372 cc models) - removal and refitting	

Braking system	14	Instrument panel (Turbo ie models) - removal and refitting	
Part A: Braking system general		Facia-mounted switches (1301 cc Turbo ie model) - removal and refitting	
Front brake pads all later models		Instrument panel (later models) - removal and refitting	
Part B: Braking system - Turbo ie models		Auxiliary control panel (later models) - removal and refitting	
Description		Heater control panel (later models) - removal and refitting	
Front disc pads - renewal		Trip master	
Front disc caliper - removal and refitting		Interior roof mounted spotlamp, switch and/or clock - removal and refitting	
Front disc caliper - overhaul		Central door locking system	
Front brake disc - inspection, renovation or renewal		Cigar lighter (later models) - removal and refitting	
Rear disc pads - renewal		Electrically operated window switches - removal and refitting	
Rear disc caliper - removal, overhaul and refitting		Windscreen wiper motor (later models) - removal and refitting	
Rear brake disc - inspection, renovation and renewal		Windscreen washer reservoir (Turbo) - removal and refitting	
Pressure regulating valve		Tailgate wiper motor (later models) - removal and refitting	
Brake pedal - removal and refitting		Radio Check control system sensors - description	
Vacuum servo unit and master cylinder - general		Check control system sensors - testing	
Antiskid system - description			
Electrical system	15	Suspension	16
Alternator (999 cc models) - removal and refitting		Front anti-roll bar - removal and refitting	
Alternator (later models) - removal and refitting		Suspension strut later models	
Alternator brushes - renewal		Bodywork	17
Starter motor (999 cc models) - removal and refitting		Plastic components	
Starter motor (1301 cc Turbo ie, 1372 cc ie, 1372 cc Turbo ie) - removal and refitting		Rear view mirrors	
Starter motor brushes (later models) - renewal		Door armrest	
Fuses - later models		Tailgate (Turbo ie model) - component removal and refitting	
Relays (Turbo ie models) - general		Radiator grille (1301 cc Turbo ie model) - removal and refitting	
Headlamps - later models		Radiator grille (1372 cc ie and 1372 cc Turbo ie models) - removal and refitting	
Headlamp beam adjusters for load compensation - later models		Bumpers (1301 cc Turbo ie, 1372 cc ie and 1372 cc Turbo ie models) - removal and refitting	
Headlamp unit removal - later models		Rear hinged windows - removal and refitting	
Headlamp dim-dip system - description		Door trim panel (Turbo ie model) - removal and refitting	
Front fog lamps bulb/unit - removal and refitting and beam adjustment			
Horn - relocation			
Steering column combination switches (later models) - removal and refitting			

Degrees of difficulty

Easy , suitable for novice with little experience		Fairly easy , suitable for beginner with some experience		Fairly difficult , suitable for competent DIY mechanic		Difficult , suitable for experienced DIY mechanic		Very difficult , suitable for expert DIY or professional	
--	---	---	---	---	---	--	---	---	---

1 Introduction

Since its introduction in 1983, the FIAT Uno has had a number of modifications and improvements including the fitting of a twin choke carburettor, low profile tyres, tinted windows and remotely-controlled central door locking.

The major mechanical change was the introduction of the FIRE (Fully Integrated Robotised Engine) on 45 and 45S models to be followed by a new 1108 cc "FIRE" engine on the 60S model from 1989 on.

A 1301 cc Turbo ie engine model was

available for a short period. This model had a Bosch LE2 Jetronic electronic fuel injection (ie) and a turbocharger to give added performance. To uprate the braking to suit, disc brakes were fitted to the rear in place of the original drum type brakes.

A 1372 cc engine model was introduced in 1989. Two versions were initially available. A Bosch Mono-Jetronic single-point fuel injection (SPI) system, as found on the 70 SX model and Bosch L3.1 or L3.2 Jetronic multi-point fuel injection (MPI) systems were fitted to Turbo models. L3.2 MPI system models were equipped with catalytic converters, to improve exhaust emission. All fuel injection engines are fitted with electronically controlled engine management systems.

A new style instrument panel, switchgear

and a revised facia layout was introduced in 1989.

During 1992, SPI fuel systems were fitted to the 999 cc and 1108 cc engines, along with catalytic converters for improved exhaust emissions.

Five speed transmissions were introduced to 999 cc models in 1993.

It is recommended that this Supplement is always referred to before the main Chapters of the Manual.

Project vehicles

The vehicles used in the preparation of this supplement, and appearing in many of the photographic sequences were a 1986 Uno 45S FIRE, a 1988 1301 cc Uno Turbo ie and a 1991 1372 cc Uno SXie.

2 Specifications

Note: All Specifications are in addition or revisions of those given in the preceding Chapters.

Engine

General

Type	Four-cylinder, in-line overhead camshaft. Transversely mounted with end-on transmission	
Application:		
999 cc (FIRE)	45, and 45S	
1108 cc (FIRE)	60S and 1.1 ie	
1116 cc	55 and 60	
1299/1301 cc	70, Turbo and ie	
1372 cc	70S, Sxie. 1.4 ie and Turbo ie	
Bore:		
999 and 1108 cc	70.0 mm	
1116 cc	80.0 mm	
1299/1301 cc	86.4 mm	
1372 cc	80.5 mm	
Stroke:		
999 cc	64.9 mm	
1108 cc	72.0 mm	
1116 cc	55.5 mm	
1299 cc	55.4 mm	
1301 cc	55.5 mm	
1372 cc	67.4 mm	
Compression ratio:		
999 cc:		
Up to mid 1988	9.8:1	
From mid 1988*	9.5:1	
1108 cc	9.6:1	
1116 cc	9.1:1	
1299 cc	8.1:1	
1301 cc	7.7:1	
1372 cc:		
Non-Turbo	9.2:1	
Turbo	7.8:1	
Maximum torque (DIN):		
999 cc:		
Up to mid 1988	80 Nm at 2750 rpm	
From mid 1988*	78 Nm at 2750 rpm	
1108 cc	87 Nm at 2900 rpm	
1116 cc	86 Nm at 3000 rpm	
1299/1301 cc Turbo ie	147 Nm at 3200 rpm	
1372 cc ie	106 Nm at 3250 rpm	
1372 cc Turbo	161 Nm at 3500 rpm	
Maximum power (DIN):		
999 cc	33 kW at 5250 rpm	
1108 cc	37 kW at 5250 rpm	
1299/1301 cc Turbo ie	77 kW at 5750 rpm	
1372 cc ie	54 kW at 6000 rpm	
1372 cc Turbo ie	87 kW at 6000 rpm	
Compression pressure (bore wear test):		
All models	11 ± 0.75 bars	
Maximum pressure difference between cylinders:		
All models	0.96 bars	
Firing order:		
All models	1-3-4-2 (No 1 at timing belt end)	
Cylinder block and crankcase material:		
All models	Cast-iron	
Crankshaft endfloat:		
All models	0.055 to 0.265 mm	
Cylinder head material:		
All models	Light alloy	
Valve clearances:		
999 and 1108 cc	Inlet	Exhaust
1299, 1301 cc and 1372 cc	0.25 to 0.35 mm	0.35 to 0.45 mm
	0.35 to 0.45 mm	0.45 to 0.55 mm

*95 RON (unleaded fuel) engines

Valve timing clearance:

999 cc	1.0 mm
1108 cc	0.70 mm
1372 cc	0.80 mm

Valve timing:

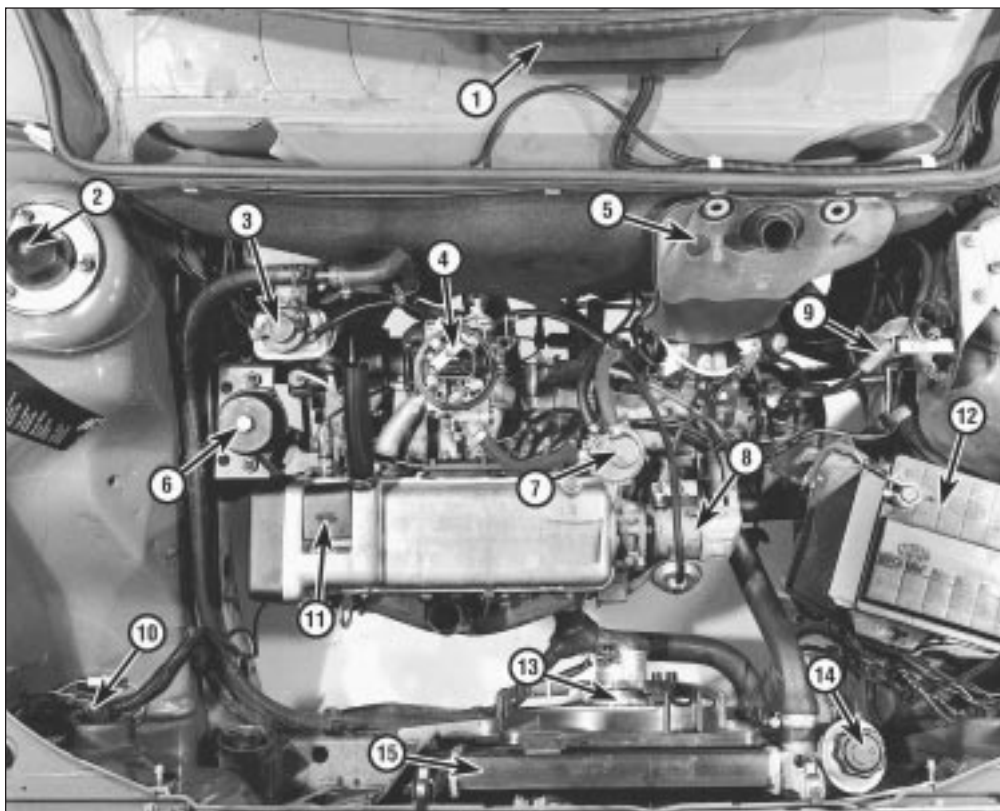
	Inlet	Exhaust
999 cc:		
Opens	1° BTDC	29° BBDC
Closes	19° ABDC	9° ATDC
1108 cc:		
Opens	2° BTDC	42° BBDC
Closes	19° ABDC	2° ATDC
1116 cc:		
Opens	7° BTDC	37° BBDC
Closes	35° ABDC	5° ATDC
1299/1301 cc:		
Opens	9° BTDC	39° BBDC
Closes	31° ABDC	1° ATDC
1299/1301 cc Turbo ie:		
Opens	0° TDC	30° BBDC
Closes	40° ABDC	10° ATDC
1372 cc ie:		
Opens	7° BTDC	37° BBDC
Closes	35° ABDC	5° ATDC
1372 cc Turbo ie:		
Opens	14° BTDC	36° BBDC
Closes	44° ABDC	6° ATDC

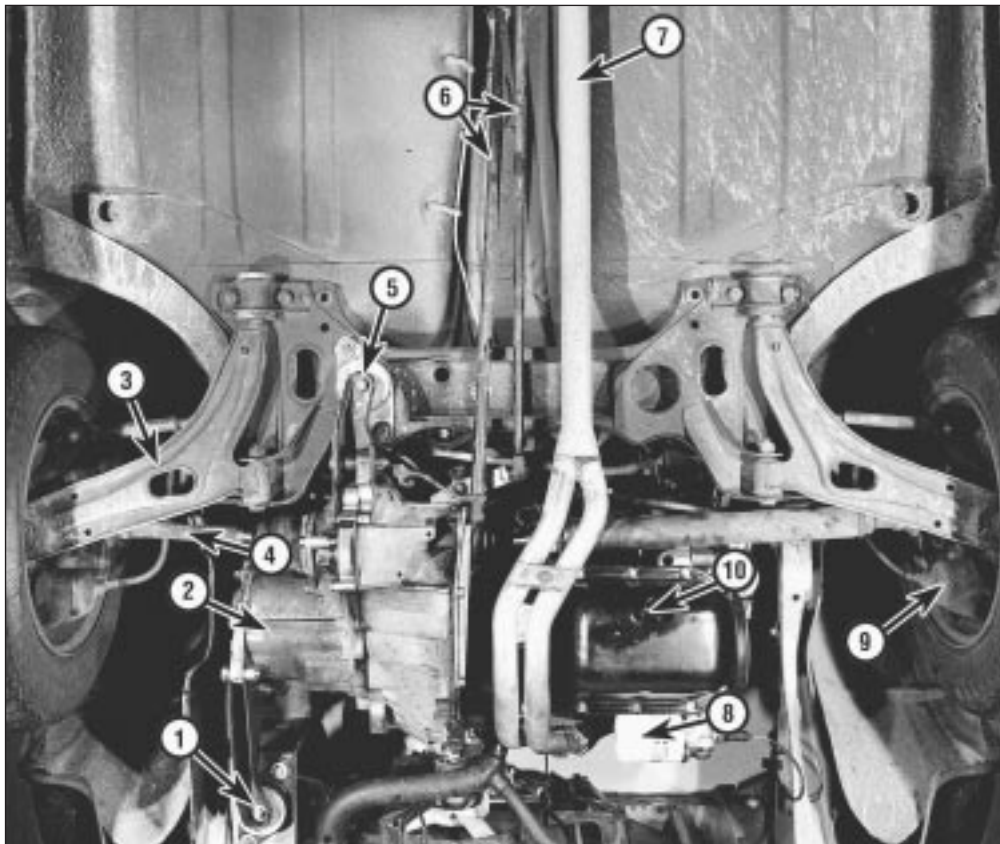
Cam lift:

999 cc	7.1 mm
1108 cc	8.0 mm
1116 cc	8.8 mm
1299/1301 cc	8.0 mm
1372 cc ie	8.8 mm
1372 cc Turbo ie	
Inlet valves	9.5 mm
Exhaust valves	8.8 mm

View of engine compartment (air cleaner removed) on the 999 cc FIRE engined model

- 1 Wiper motor cover
- 2 Suspension strut turret
- 3 Brake hydraulic fluid reservoir
- 4 Carburettor
- 5 Washer fluid reservoir
- 6 Right-hand engine mounting
- 7 Fuel pump
- 8 Ignition distributor
- 9 Ignition coil
- 10 Headlamp
- 11 Oil filler cap
- 12 Battery
- 13 Radiator cooling fan
- 14 Coolant filler/expansion tank
- 15 Radiator



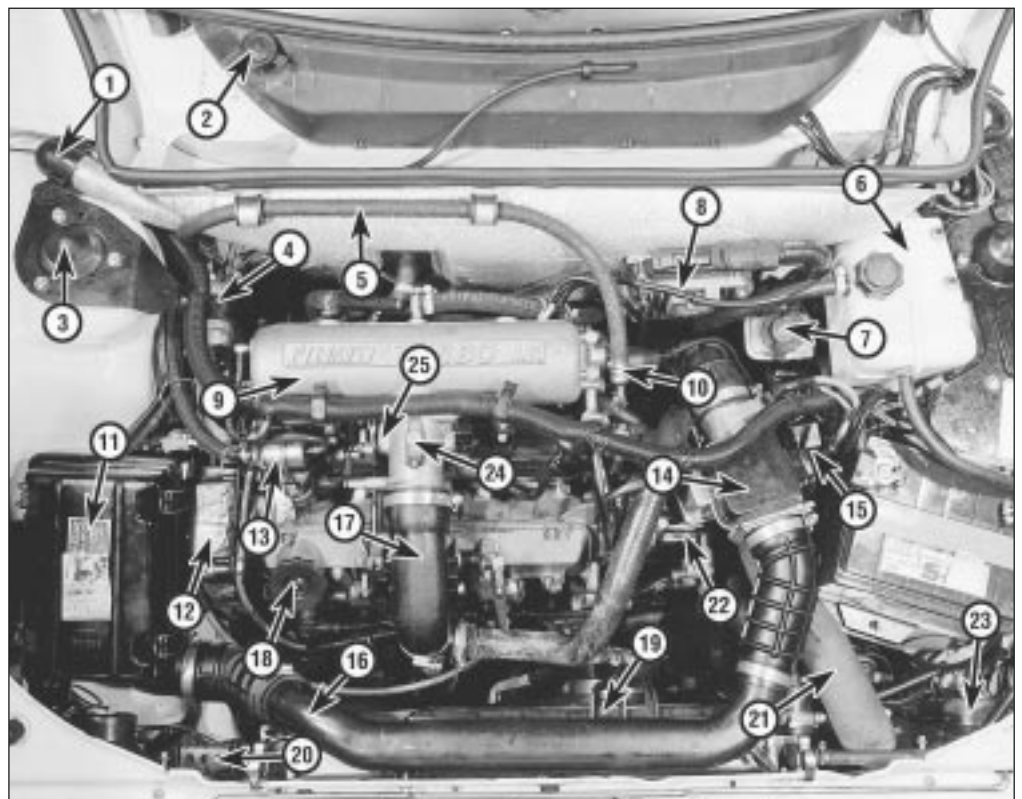


View of front end from below on the 999 cc FIRE engine model

- 1 Left hand front engine mounting
- 2 Transmission
- 3 Track control arm
- 4 Driveshaft
- 5 Left hand rear (lower) engine mounting
- 6 Gearchange rods
- 7 Exhaust pipe
- 8 Oil filter cartridge
- 9 Brake caliper
- 10 Sump pan drain plug

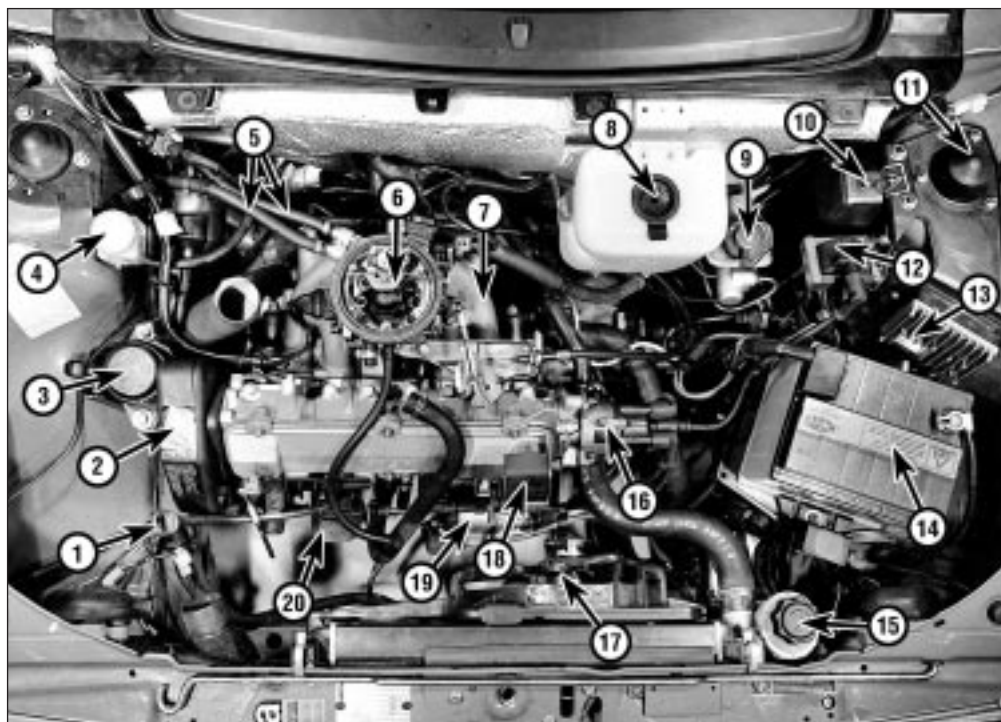
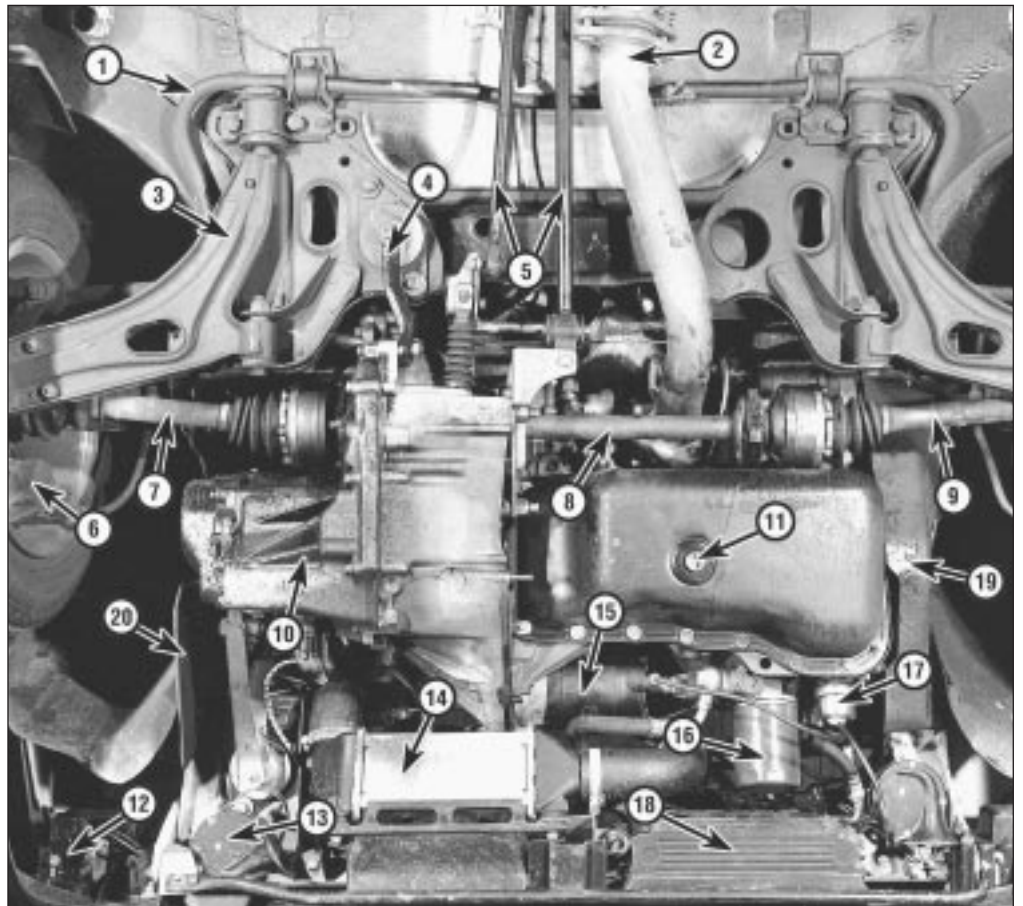
View of engine compartment on the 1301 cc Turbo ie engine model

- 1 Alternator air cooling intake
- 2 Washer fluid reservoir cap
- 3 Suspension strut turret
- 4 Secondary fuel filter
- 5 Fuel supply hose
- 6 Coolant expansion tank
- 7 Brake fluid reservoir cap
- 8 Ignition system ECU
- 9 Inlet manifold
- 10 Excessive pressure switch
- 11 Air cleaner
- 12 Timing belt cover
- 13 Fuel pressure regulator
- 14 Airflow meter
- 15 Throttle position switch
- 16 Air intake duct
- 17 Air intake to throttle valve housing
- 18 Engine oil filler cap
- 19 Radiator cooling fan
- 20 Headlamp dim-dip transformer
- 21 Intercooler air duct
- 22 Ignition distributor
- 23 Headlamp
- 24 Main idle speed adjusting screw
- 25 Base setting idle speed screw



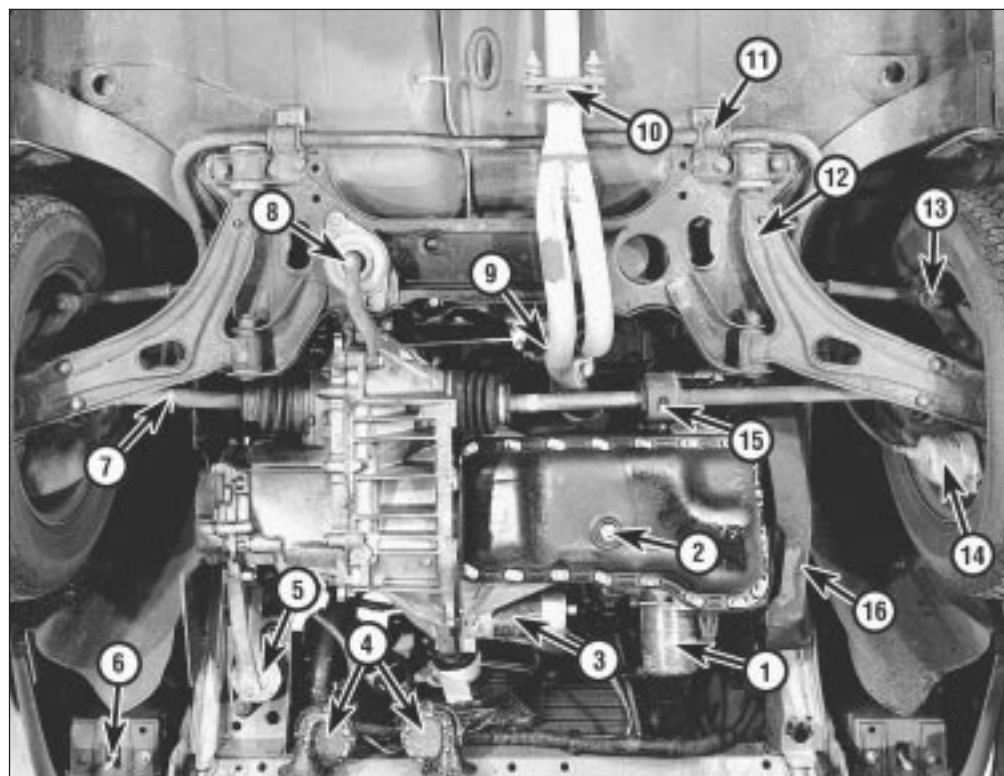
View of front end from below on the 1031 cc Turbo ie engined model

- 1 Anti-roll bar
- 2 Exhaust pipe
- 3 Track control arm
- 4 Engine centre mounting
- 5 Gearchange rods
- 6 Brake caliper
- 7 Left-hand driveshaft
- 8 Intermediate driveshaft
- 9 Right-hand driveshaft
- 10 Transmission
- 11 Engine oil drain plug
- 12 Auxilliary lamp
- 13 Horn
- 14 Intercooler
- 15 Starter motor
- 16 Oil filter cartridge
- 17 Oil pressure sender unit
- 18 Engine oil cooler
- 19 Right-hand underwing shield
- 20 Left-hand underwing shield



View of engine compartment (air cleaner removed) on the 1372 cc ie engined model

- 1 Engine oil level dipstick
- 2 Timing belt cover
- 3 Engine mounting (right-hand)
- 4 Clutch master cylinder fluid reservoir
- 5 Fuel supply and return hoses
- 6 Injection unit
- 7 Inlet manifold
- 8 Washer reservoir
- 9 Brake master cylinder and fluid reservoir
- 10 Injection system fuse/relay block
- 11 Suspension strut turret
- 12 Ignition coil
- 13 Ignition system ECU
- 14 Battery
- 15 Coolant filter expansion tank
- 16 Ignition distributor
- 17 Radiator cooling fan
- 18 Engine oil filler cap
- 19 Starter motor
- 20 Oil filter



View of front end from below on the 1372 cc ie engine model

- 1 Oil filter
- 2 Engine oil drain plug
- 3 Starter motor
- 4 Horns
- 5 Transmission front mounting
- 6 Front fog lamp and adjuster
- 7 Driveshaft
- 8 Transmission rear mounting
- 9 Gearchange linkage
- 10 Exhaust downpipe and system joint
- 11 Anti-roll bar
- 12 Track control arm
- 13 Tie-rod balljoint
- 14 Brake unit
- 15 Driveshaft damper
- 16 Underwing shield

Lubrication system

Oil pump type:		
999/1108 cc	Gear driven from front of crankshaft.
1372 cc	Pump operated from front of crankshaft. Oil pressure relief valve in front cover.
Tooth tip-to-body clearance (999/1108 cc)	0.080 to 0.186 mm
Gear endfloat:		
999/1108 cc	0.025 to 0.056 mm
1372 cc	0.040 to 0.106 mm
Oil pressure (at normal operating temperature)	3.4 to 4.9 bars
Oil filter:		
999/1108 cc	Champion F107
1372 cc	Champion C106

Torque wrench settings

	Nm	lbf ft
Auxiliary shaft sprocket bolt (1372 cc)	83	62
Big-end cap bolts:		
999/1108 cc	41	30
1372 cc	51	38
Camshaft bearing cap bolts:		
M8	19	14
M6	10	7
Camshaft cover screws	8	6
Camshaft housing to lower cylinder head securing bolt (1372 cc)	20	15
Camshaft housing to inlet manifold bracket bolt (1372 cc)	25	18
Camshaft sprocket bolt		
999/1108 cc	68	50
1372 cc	83	62
Centre mounting to final drive casing bracket (1201/1301 cc)	23	17
Coolant temperature switch	25	18
Crankshaft pulley bolts	25	18
Crankshaft pulley nut (1372 cc)	197	145
Crankshaft rear oil seal retainer bolts	10	7
Crankshaft sprocket bolt	79	58

Torque wrench settings (continued)	Nm	lbf ft
Cylinder head bolts:		
903 cc (from engine number 581470), 999 and 1108 cc:		
Stage 1	30	22
Stage 2	Angle tighten by another 90°	
Stage 3	Angle tighten by another 90°	
1299/1301 cc (10 main bolts):		
Stage 1	20	15
Stage 2	40	30
Stage 3	Angle tighten by another 90°	
Stage 4	Angle tighten by another 90°	
1299/1301 cc (4 next to spark plug holes)	30	22
1372 cc (M10):		
Stage 1	40	30
Stage 2	Angle tighten by another 90°	
Stage 3	Angle tighten by another 90°	
1372 cc (M8)	30	22
Engine mounting bracket body	25	18
Engine mounting bracket-to-body bolt (1299/1301 cc)	48	35
Engine mounting bracket-to-transmission nut (1299/1301 cc)	85	63
Engine mounting nuts:		
M10	57	42
M8	25	18
Engine mountings to brackets (1299/1301 cc)	23	17
Engine mounting to engine and transmission (999/1108 cc)	60	44
Engine mounting-to-engine bracket bolt (1299/1301 cc)	85	63
Flywheel bolts:		
999/1108 cc	43	32
1372 cc	83	62
Ignition distributor cover (in crankcase) bolt (1372 cc) *	25	18
Main bearing cap bolts:		
999/1108 cc:		
Stage 1	40	30
Stage 2	Angle tighten by another 90°	
1372 cc	80	59
Manifold nuts	27	20
Mounting bracket to final drive casing (1299/1301 cc)	95	70
Oil pressure sender unit (1372 cc) *	37	28
Oil pressure switch	31	23
Oil pump backplate screws	7	5
Oil pump mounting bolts:		
999/1108 cc	10	7
1372 cc *	25	18
Oil pump shaft driven gear bolt (1372 cc ie only)	83	61
Oil temperature sender unit (1372 cc) *	50	37
Sump pan fixing screws	10	7
Timing belt tensioner nut	27	20
Turbine-to-exhaust manifold and head nut *	29	21
Water pump-to-crankcase bolt (1372 cc) *	25	18

* Turbo models only

Cooling system

General

Thermostat:

Begins to open:

999/1108 cc	85 to 90°C
1301 cc Turbo ie	78 to 82°C
1372 cc	80 to 84°C

Fully open:

999/1108 cc	100°C
1301 cc Turbo ie	95°C
1372 cc	96°C

Expansion tank pressure cap rating:

1372 cc	0.98 bar
---------------	----------

Cooling system (continued)

Radiator fan cut-in temperature:

1301 cc Turbo ie:	
1st speed	86 to 90°C
2nd speed	90 to 94°C
1372 cc	90 to 94°C

Radiator fan switch-off temperature:

1301 cc Turbo ie:	
1st speed	81 to 85°C
2nd speed	85 to 89°C
1372 cc	85 to 89°C

Coolant pump/alternator drivebelt tension:

1372 cc	Approximately 10 mm deflection midway between crankshaft and alternator pulleys under firm thumb pressure
---------	---

Torque wrench settings

	Nm	lbf ft
Coolant pump mounting bolts (999/1108 cc)	8	6
Coolant pump to crankcase (1372 cc)	25	18
Coolant temperature gauge sender unit (1372 cc ie)	30	22
Coolant temperature sender unit (1372 cc)	27	20
Fan thermostatic switch (1372 cc)	30	22
Thermal valve on inlet manifold (1372 cc):		
M10	20	15
M8	10	7
Water pump cover (1372 cc)	15	11

Fuel system**General**

Air cleaner element

999 cc and 1108 cc	Champion U520
1372 cc ie	Champion U533
1301/1372 cc Turbo ie	Champion U522

Fuel filter:

999 cc and 1108 cc	Champion L101
1372 cc ie	Champion L201
1301/1372 cc Turbo ie	Champion L203

Carburettor calibration**Weber 32**

	ICEV 61/250	TLF 4/250
Application	903 cc	999 cc
Accelerator pump capacity (for 10 strokes)	3.8 to 6.3 cc	-
Air bleed jet	1.80 mm	50/90
Air compensating jet	-	165
Air idle jet	1.60 mm	-
Anti-flooding device (choke valve plate gap)	-	4.0 to 5.0 mm
Auxiliary venturi	3.5 mm	-
Fast idle (throttle valve plate gap)	-	0.65 to 0.75 mm
Float level (with gasket)	10.75 mm	26.75 to 27.25 mm
Full power jet	0.50 mm	50
Emulsion tube	F74	F70
Exhaust gas CO at idle	1.0 to 2.0%	1.0 to 2.0%
Idle air bleed	-	50/90
Idle jet	0.47 mm	47
Idle mixture adjustment port	1.50 mm	-
Idle speed	750 to 800 rpm	750 to 800 rpm
Main jet	1.10 mm	105
Needle valve	1.50 mm	1.5 mm
Pump jet	0.40 mm	35
Pump outlet	0.40 mm	-
Venturi	22 mm	22 mm

Weber 32

	TLF 4/252 (and 251)	TLF 27/251
Application	999 cc	1108 cc
Accelerator pump capacity (for 10 strokes)	8 to 12 cc	8 to 12 cc
Air bleed jet	1.65 mm	1.65 mm
Air idle jet	0.50 mm	0.50 mm
Auxiliary venturi	4.5 mm	4.5 mm
Emulsion tube	F70	F70

Weber 32 (continued)	TLF 4/252 (and 251)	TLF 27/251
Exhaust gas CO at idle	1.0 to 2.0%	0.5 to 1.5%
Fast idle	0.65 to 0.75 mm	-
Float level (with gasket)	26.75 to 27.25 mm	26.75 to 27.25 mm
Float travel	33.7 to 34.7 mm	33.7 to 34.7 mm
Full power jet	0.50 mm	0.55 mm
Idle jet	0.47 mm	0.45 mm
Idle mixture adjustment port	1.50 mm	1.50 mm
Idle speed	750 to 800 rpm	800 to 850 rpm
Main jet	1.05 mm	1.05 mm
Needle valve	1.50 mm	1.50 mm
Pump jet	0.40 mm	0.40 mm
Pump outlet	0.40 mm	0.40 mm
Superfeed jet	0.40 mm	0.45 mm
Superfeed mixture jet	3.00 mm	3.00 mm
Venturi	22 mm	22 mm
Weber 30/32 DMTE 30/150		
Application	1116 cc engine (95 RON unleaded engine)	
Exhaust gas CO at idle	1.0 to 2.0%	
Float level (with gasket fitted)	6.5 to 7.5 mm	
Idle pull-down	3.0 to 3.5 mm	
Idle speed	800 to 900 rpm	
Needle valve	1.50 mm	
Pull down capsule bush	0.20 mm	
	Primary	Secondary
Air correction jet	2.10	1.80
Emulsion tube	F30	F30
Idle air jet	1.15	0.70
Idle jet	1.50	-
Idle jet	0.47	0.40
Full power jet	0.40	-
Main jet	0.90	1.05
Main venturi	19	23
Pump discharge	0.40	-
Pump jet	0.45	-
Secondary venturi	4.5	-
Weber 30/32 DMTE 10/150		
Application	1116 cc	
Accelerator pump capacity (ten strokes)	8.5 to 12.5 cc	
Anti-flooding device (automatic - Y)	3.75 to 4.25 mm	
Anti-flooding device (mechanical - X)	8.0 to 9.5 mm	
Excess fuel discharge orifice	0.40	
Exhaust gas CO at idle	0.5 to 1.5%	
Float setting (fuel level)	6.5 to 7.5 mm	
Idle speed	800 to 900 rpm	
Needle valve	1.5 mm	
Primary and secondary valve plate openings:		
X	13.5 to 14.5 mm	
Y	14.5 to 15.5 mm	
Primary valve plate opening (X)	6.45 to 6.95 mm	
Throttle valve plate opening - fast idle (A)	0.90 to 0.95 mm	
	Primary	Secondary
Air correction jet	195	195
Accelerator pump jet	40	40
Auxiliary venturi	3.5	5
Emulsion tube	F42	F38
Idle jet	47	70
Main jet	90	95
Venturi diameter	19.0 mm	23.0 mm
Solex C 30/32 - CIC8		
Application	1116 cc	
<i>All calibration as for the Weber 30/32 DMTE 10/150 except for the following:</i>		
	Primary	Secondary
Accelerator pump jet	50	50
Air correction jet	230	190
Idle jet	47.5	40
Main jet	100	100
Needle valve	1.6	1.6

13•12 Supplement: Revisions and information on later models

Weber 30/32 DMTE 12/150

Application 1299/1301 cc

All calibration as for the Weber 30/32 DMTE 10/150 except for the following:

	Primary	Secondary
Accelerator pump jet	45	45
Air correction jet	2.20	1.75
Idle jet	45	70
Main jet	0.90	0.97

Fuel injection systems

System type:

999/1108 cc ie (from 1992)	Bosch Mono-Jetronic SPi with catalyst
1301 Turbo ie	Bosch LE2 Jetronic MPI
1372 cc ie	Bosch Mono-Jetronic SPi
1372 cc Turbo ie (up to 1992)	Bosch L3.1 Jetronic MPI
1372 cc Turbo ie (from 1992)	Bosch L3.2 Jetronic MPI with catalyst

Fuel pump:

All fuel injection models	Electric
-------------------------------------	----------

Fuel pressure:

999/1108/1372 cc	0.8 to 1.10 bars
1301 cc Turbo ie	1.6 bars
1372 cc Turbo ie	6.0 bars maximum

Fuel octane rating:

Without catalyst	98 RON minimum (unleaded or leaded)
With catalyst	95 RON minimum (unleaded only)

Idle speed:

999/1108 cc	850 ± 50 rpm
1301 cc Turbo ie	850 ± 50 rpm
1372 cc ie	850 ± 50 rpm
1372 cc Turbo ie	825 ± 25 rpm

Exhaust gas CO at idle:

999/1108 cc	0 to 0.35%
1301 cc Turbo ie	0.5 to 1.5%
1372 cc Turbo ie	1.2 to 1.8%

Torque wrench settings

	Nm	lbf ft
Coolant pipe bolt to turbocharger	25	18
Coolant pipe union nut to turbocharger	38	28
Exhaust bracket nuts and bolts (999/1108 cc)	23	17
Exhaust manifold flange nut (1372 cc models)	18	13
Exhaust manifold to crankcase bracket (1372 cc)	25	18
Exhaust manifold to cylinder head (1372 cc)	25	18
Exhaust pipe flange-to-manifold nuts (999/1108 cc)	18	13
Fuel pump mounting bolts (999/1108 cc)	8	6
Fuel pump unions	15	11
Fuel pressure regulator nut	48	35
Inlet and exhaust manifold to cylinder head nuts (999/1108 cc)	27	20
Rear exhaust pipe/silencer mounting bracket nut	24	18
Turbocharger-to-exhaust manifold-and-cylinder head nut	28	21

Ignition system

"Breakerless" (999, 1108, 1116, 1299/1301 cc)

General

System type	Magnetic impulse generator electronic
Spark plug type	Champion RC9YCC or RC9YC
Spark plug electrode gap	0.8 mm
HT lead type (999 and 1108 cc)	Champion LS-20

Component testing values

Magnetic impulse generator resistance:

Models with Marelli distributors	758 to 872 ohms
Models with the Ducellier distributor	171 to 209 ohms

Ignition coil resistance at 20°C (68°F):

Models with BA506A coil:

Primary	0.756 to 0.924 ohms
Secondary	3330 to 4070 ohms

Models with BA506D coil:

Primary	0.666 to 0.814 ohms
Secondary	2970 to 3630 ohms

Ignition timing (in relation to distributor type)

At idle with vacuum hose disconnected and plugged:

Marelli SE101A and Ducellier 525473A	2° BTDC
Marelli SE100EX, SE100CX and SE100NX	10° BTDC
Marelli SE101G	3° BTDC
Marelli SE100SX	Not available

Centrifugal advance (maximum):

Marelli SE101A and Ducellier 525473A	26 to 30° BTDC
Marelli SE100EX and SE100CX	22 to 26° BTDC
Marelli SE100NX	18 to 22° BTDC
Marelli SE101G	23 to 27° BTDC
Marelli SE100SX	20 to 24° BTDC

Vacuum advance (maximum):

Marelli SE101A, Ducellier 525473A and Marelli SE101G	12 to 14° BTDC
Marelli SE100NX	14 to 16° BTDC
Marelli SE100EX and SE100CX	10 to 14° BTDC
Marelli SE100SX	13 to 17° BTDC

Digiplex 2 (1372 cc ie)**General**

System type	Marelli Digiplex 2 electronic
Spark plug type	Champion RN9YCC or RN9YC
Spark plug electrode gap	0.8 mm

Ignition timing

At 800 to 850 rpm	2 to 6° BTDC
Maximum advance (at 4500 to 6200 rpm with 0.6 bar/8.7 lbf/in ² vacuum)	44 to 48° BTDC

Component testing values

Ignition coil:

Primary resistance at 23°C (73°F)	0.405 to 0.495 ohms
Secondary resistance at 23°C (73°F)	4320 to 5280 ohms

Engine speed/TDC sensor:

Resistance	680 to 920 ohms
Sensor-to-flywheel tooth gap	0.2 to 0.8 mm

Microplex (1301 cc Turbo ie)**General**

System type	Marelli Microplex electronic
Spark plug type	Champion RC7YCC or RC7YC
Spark plug electrode gap	0.8 mm
Rotor arm resistance	800 to 1200 ohms

Ignition timing

At idle with vacuum hose detached:

Up to mid 1988	8 to 12° BTDC
From mid 1988	8.5 to 11.5° BTDC

Maximum advance:

Up to mid 1988	36 to 40° BTDC
From mid 1988	32.5 to 35.5 BTDC

Component testing values

Ignition coil:

Primary winding resistance at 20°C (68°F)	0.31 to 0.37 ohms
Secondary winding resistance at 20°C (68°F)	3330 to 4070 ohms

Engine speed sensor:

Resistance	612 to 748 ohms
Sensor-to-flywheel tooth gap	0.25 to 1.3 mm

TDC sensor:

Resistance	612 to 748 ohms
Sensor-to-crankshaft pulley tooth gap	0.4 to 1.0 mm

Microplex (1372 cc Turbo ie)**General**

System type	Marelli Microplex electronic ignition
Spark plug type	Champion RC7BYC4
Spark plug electrode gap	0.9 mm

13•14 Supplement: Revisions and information on later models

Ignition timing

At idle	8° to 12° BTDC
Maximum advance (at 4000 to 6000 rpm with 0.377 bars/5.5 lbf/in ² vacuum)	32° to 36° BTDC

Component testing values

Ignition coil:	
Primary resistance at 20°C (68°F)	0.40 to 0.49 ohms
Secondary resistance at 20°C (68°F)	4320 to 5280 ohms
Engine speed sensor:	
Resistance	612 to 748 ohms
Sensor to flywheel teeth clearance	0.25 to 1.3 mm
TDC sensor:	
Resistance	612 to 748 ohms
Sensor to crankshaft pulley tooth gap	0.4 to 1.0 mm

Clutch

Pedal height

All later models	136 to 146 mm
------------------------	---------------

Driven plate diameter

903, 999 and 1301 cc	170 mm
1108 cc	180 mm
1372 cc ie	181.5 mm
1372 cc Turbo ie	200 mm

Transmission

General

Type number:	
903, 999, 1108 and 1372 cc ie	C.501.5.10
999 and 1108 (from 1992)	C.514
1372 cc, Turbo ie	C.510.5.17

Final drive ratios

903 cc	4.071:1
999 and 1108 cc (except C514 type transmission)	3.733:1
999 cc (with C514 type transmission)	3.866:1
1108 cc (with C514 type transmission)	3.733:1
1301 cc Turbo ie (without Antiskid)	3.588:1
1301 cc Turbo ie (with Antiskid)	3.562:1
1372 cc Turbo ie	3.353:1

Oil type/specification:

1372 cc Turbo ie	Fiat ZC 80/S gear oil
------------------------	-----------------------

Driveshafts

Roadwheels

Turbo ie	5 1/2 J x 13
----------------	--------------

Tyres

Turbo ie

Size	175/60 HR 13
Pressures:	
Front and rear, normal load	2.2 bars
Front, full load	2.3 bars
Rear, full load	2.5 bars
Spare wheel tyre size	5.50B x 13 FH
Spare wheel tyre pressure	2.2 bars

1372 cc ie with catalyst (1.4 ie S)

Size	155/70 SR 13
Pressures:	
Front	2.0 bars
Rear - normal load	1.9 bars
Rear - full load	2.2 bars

Torque wrench settings	Nm	lbf ft
Driveshaft flange connecting bolts (Turbo ie)	43	32
Final drive output shaft bearing cover bolts (Turbo ie)	24	18
Intermediate shaft support to crankcase (Turbo ie)	48	35

Braking system (903, 999, 1108, 1116 and 1372 cc)

General

Note: The following items differ, or are additional to those specified in Chapter 8:

Master cylinder bore diameter:

903 cc, 999 cc, 1108 cc and 1116 cc	19.05 mm
1372 cc ie	20.65 mm
Vacuum servo diameter	152.4 mm
Hydraulic push rod-to-master cylinder support plate clearance	0.825 to 1.025 mm

Braking system (1301 and 1372 cc Turbo ie)

General

System type	Four-wheel discs, ventilated front, solid rear. Vacuum servo. Pressure regulating valve on rear brakes
Master cylinder bore diameter	22.225 mm
Vacuum servo diameter	177.8 mm

Front disc brakes

Disc diameter	240.0 mm
Disc thickness - new	19.9 to 20.1 mm
Disc thickness - minimum (refinishing)	18.6 mm
Disc thickness - minimum (wear limit)	18.2 mm
Minimum thickness of pad friction material	1.5 mm
Caliper cylinder diameter	48.0 mm

Rear disc brakes

Disc diameter	227.0 mm
Disc thickness - new	10.7 to 10.9 mm
Disc thickness minimum (refinishing):	
1301 cc Turbo ie	9.7 mm
1372 cc Turbo ie	9.35 mm
Disc thickness - minimum (wear limit)	9.0 mm
Minimum thickness of pad friction material	1.5 mm
Caliper cylinder diameter	34.0 mm

Torque wrench settings

	Nm	lbf ft
Front caliper cylinder housing mounting bolts	52	38
Front caliper support bracket bolts	52	38
Front disc fixing bolts	25	18
Rear caliper support bracket bolts	25	18
Rear caliper cylinder housing mounting bolts	52	38

Electrical system

Battery

Turbo ie engine models	45 Ah
------------------------------	-------

Fuses (903, 999, 1116, 1299/1301 and 1301 cc Turbo ie)

Fuse No.	Rating	Circuit
1	7.5	LH tail, RH front parking, rear number plate, check panel
2	7.5	RH tail, LH front parking, cigar lighting, clock light, heater control illumination, map reading lamp.
3	10	RH headlamp main beam
4	10	LH headlamp main beam and warning light
5	25	Radiator cooling fan, econometer and horns
6	10	Cigar lighter, courtesy lamps, digital clock, stop-lamp switch, clock and radio
7	10	RH headlamp dipped beam
8	10	LH headlamp dipped beam, rear fog warning lamp and indicator
9	20	Heated rear screen and warning lamp
10	10	Instrument panel, stop-lamps, direction indicators, reversing lamps and warning module
11	20	Heater fan, fan control illumination and digital clock
12	20	Windscreen wiper, washer pump and rear screen wiper
13	-	Spare
14	10	Hazard warning lamps and indicator

Fuses (903, 999, 1116, 1299/1301 and 1301 cc Turbo ie) (continued)

Fuse No.	Rating	Circuit
Supplementary fuses at side of main fuse block:		
A	20	Front fog lamps
B	30	Cooling fan (Turbo ie models)
C	10	Fuel injector cooling fan (Turbo ie models)
D	30	Electric windows
E	10	Fuel pump (Turbo ie models)

Fuses (later 903, 999, 1108, 1372 ie and 1372 cc Turbo ie)

Fuse	Rating	Circuit
1	7.5	LH tail, RH front parking, rear number plate lamps and check panel
2	7.5	RH tail, LH front parking, cigar lighter illumination, clock light, heater control illumination and map reading light
3	10	RH headlamp main beam
4	10	LH headlamp main beam and warning light
5	25	Radiator cooling fan (except Turbo ie models) and horn
6	10	Cigar lighter, courtesy lamps, digital clock, stop-lamp switch, clock and radio
7	10	RH headlamp dipped beam
8	10	LH headlamp dipped beam
9	10	Rear fog lamp and warning lamp
10	20	Heated rear screen and warning lamp
11	10	Instrument panel, stop-lamps, direction indicators, reversing lamps, warning module and carburettor cut-off (FIRE models only)
12	20	Heater fan, heater/ventilation control illumination lights and digital clock light
13	20	Windscreen wiper, windscreen washer pump and rear wiper/washer (where fitted)
14	20	Horns and relay
15	10	Hazard warning light and indicator light
Supplementary fuses at side of main fuse block:		
A	30	Electric windows
B	25	Central locking (where fitted)
C	10	Injector cooling fan (where fitted)
D	20	Headlamp washers (where fitted)
E	20	Foglamp and warning lamp
F	-	Spare
G	10	Fuel pump (fuel injection models)
-	10	Heated Lambda sensor
Supplementary fuses on steering column relay bracket:		
-	10	Antiskid monitor circuit (where fitted)
-	25	Antiskid supply circuit (where fitted)

Steering and suspension

General

1301 cc Turbo ie

Castor	1° 55' to 2° 35' positive
Number of turns of steering wheel, lock-to-lock	3.42

Later models

Steering angles:	
Camber	-30' ± 30'
Castor	2°10' ± 15'
Toe-in	0 to 2.0 mm

1301/1372 cc Turbo ie

Steering angles of roadwheels:	
Inner wheel	36° 43'
Outer wheel	31° 27'

Torque wrench settings

	Nm	lbf ft
Anti-roll bar clamp bolts (1301 and 1372 cc Turbo ie)	25	18
Anti-roll bar end fixing nuts (1301 and 1372 cc Turbo ie)	15	11

General dimensions, weights and capacities**Dimensions**

Overall length	3689 mm
Overall width:	
Base and Super models	1558 mm
SX and Turbo models	1562 mm
Height (unladen):	
1372 cc (except Turbo)	1425 mm
1299/1301 cc (except Turbo)	1420 mm
Turbo	1405 mm
All other models	1415 mm

Weights (kerb)

Note: 3-door model weights are given. Add 15 kg to the following for 5-door models. Weight will also vary according to the model version.

903 cc	740 kg
999 cc (45, 45 S and 45 SX)	740 to 775 kg
1108 cc (60 S and 60 SX)	760 to 795 kg
1299/1301 cc (70 SX)	770 kg
1301 cc Turbo ie	845 kg
1372 cc (1.4 ie S catalyst)	830 kg
1372 cc ie (70 SX)	795 to 845 kg
1732 cc Turbo ie	925 kg

Capacities

Fuel tank:	
1372 cc Turbo ie	50 litres
All other models	42 litres
Engine oil (with filter change):	
903, 999 and 1108 cc	3.8 litres
1116, 1299/1301 and 1372 cc	4.1 litres
Transmission:	
1301 cc Turbo ie	2.9 litres
1372 cc Turbo ie	2.0 litres
All other engines	2.4 litres
Cooling system:	
903, 999 and 1108 cc	4.6 litres
1116 and 1299/1301 cc, non-catalyst 1372 cc ie	6.2 litres
1372 cc ie with catalyst	6.5 litres
1301 cc Turbo ie	6.9 litres
1372 cc Turbo ie	7.7 litres

3 Routine maintenance - all models from June 1991

The maintenance intervals in this manual are provided with the assumption that you, not the dealer, will be carrying out the work. These are the minimum maintenance intervals recommended by us, for vehicles driven daily. If you wish to keep your vehicle in peak condition at all times, you may wish to perform some of these procedures more often. We encourage frequent maintenance, since it enhances the efficiency, performance and resale value of your vehicle.

If the vehicle is driven in dusty areas, used to tow a trailer, or driven frequently at slow speeds (idling in traffic) or on short journeys, more frequent maintenance intervals are recommended.

When the vehicle is new, it should be serviced by an authorised dealer to preserve the factory warranty.

Every 250 miles (400 km), weekly or before a long journey

- Proceed as described for the earlier models at the start of this manual

Every 6000 miles (10 000 km) or 12 months (whichever comes first)

- Renew the engine oil and oil filter (Turbo models only)

Every 9000 miles (15 000 km) or 12 months (whichever comes first)

- Check the tyre pressures and their condition (including the spare)
- Where a pad wear warning light is fitted, check its operation
- Check the front brake disc pads for excessive wear
- Check the underbody condition (fuel and brakes pipes, exhaust system, hoses, bushes and gaiters)
- Check the condition and tension of drivebelts
- Check the engine idle speed and CO emissions
- Check the EGR system (If fitted)
- Check fluid levels (coolant, brake fluid and windscreen washer)
- Renew spark plugs (1372 cc Turbo models)
- Renew the engine oil and oil filter (non-Turbo models)
- Check the HT leads and connections
- Check the condition of all coolant, fuel and hydraulic hoses and connections

Every 18 000 miles (30 000 km) or 24 months (whichever comes first)

In addition to the items listed for 9000 mile (15 000 km) or 12 months service

- Check the rear brake disc pads for wear (where applicable)
- Check/adjust the valve clearances
- Check and tighten (if necessary), inlet and exhaust manifolds
- Check the clutch adjustment (cable operated models)
- Renew the fuel filter (where applicable)
- Renew the air cleaner element
- Renew the spark plugs and check the HT leads and connections (all models)
- Where applicable, have the ignition and injection systems checked (special equipment needed)
- Renew coolant
- Renew brake fluid

Every 28 000 miles (45 000 km) or 36 months (whichever comes first)

In addition to the items listed for 9000 mile (15 000 km) or 12 months service

- Check Lambda (oxygen) sensors operation (special equipment needed)
- Check fuel evaporation system (where fitted)
- Check the transmission oil level
- Check the condition crankcase ventilation system

Every 37 000 miles (60 000 km) or 48 months (whichever comes first)

In addition to the items listed for 18 000 mile (30 000 km) or 24 months service

- Check the condition of the rear brake shoe linings
- Check the condition of the timing belt

Every 65 000 miles (105 000 km)

- Renew the timing belt

Every 74 500 miles (120 000 km)

- Renew the manual transmission oil

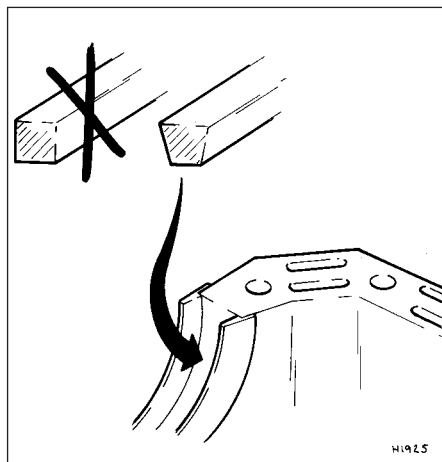


Fig. 13.1 Correct method of fitting sump pan sealing strip (Sec 4)

4 Engine - 903 and 1299/1301 cc

Sump pan sealing strips (903 cc engine) - modification

1 The design of the sealing strips which go between the sump pan and the main bearing caps has been changed. Make sure that the narrower side of the strip fits into the channel in the sump pan.

1299 cc engine - description

2 In April 1984, a 1299 cc engine was introduced, progressively replacing the 1301 cc units used previously. The new engine is identical to the 1301 cc engine described in Chapter 1, with the exception of having a slightly shorter stroke.

3 However, as of approximately September 1987, the 1299 cc unit was phased out, being progressively replaced by the 1301 cc engine used initially.

4 As mentioned above, the two engines are all but identical, so identification of the unit fitted should not be necessary in practice. Consult a FIAT dealer if in doubt.

Rocker cover (903 cc engine) - removal

5 Before removing the rocker cover, it will be necessary to remove the distributor, first. Refer to Chapter 4 for more details.

Cylinder head (903 cc engine) - refitting

6 Modified cylinder head bolts are fitted to 903 cc models, from engine number 8581470. When refitting the cylinder head, tighten each head bolt, as described in Chapter 1, by the torques and angles shown in the Specifications in this Chapter.

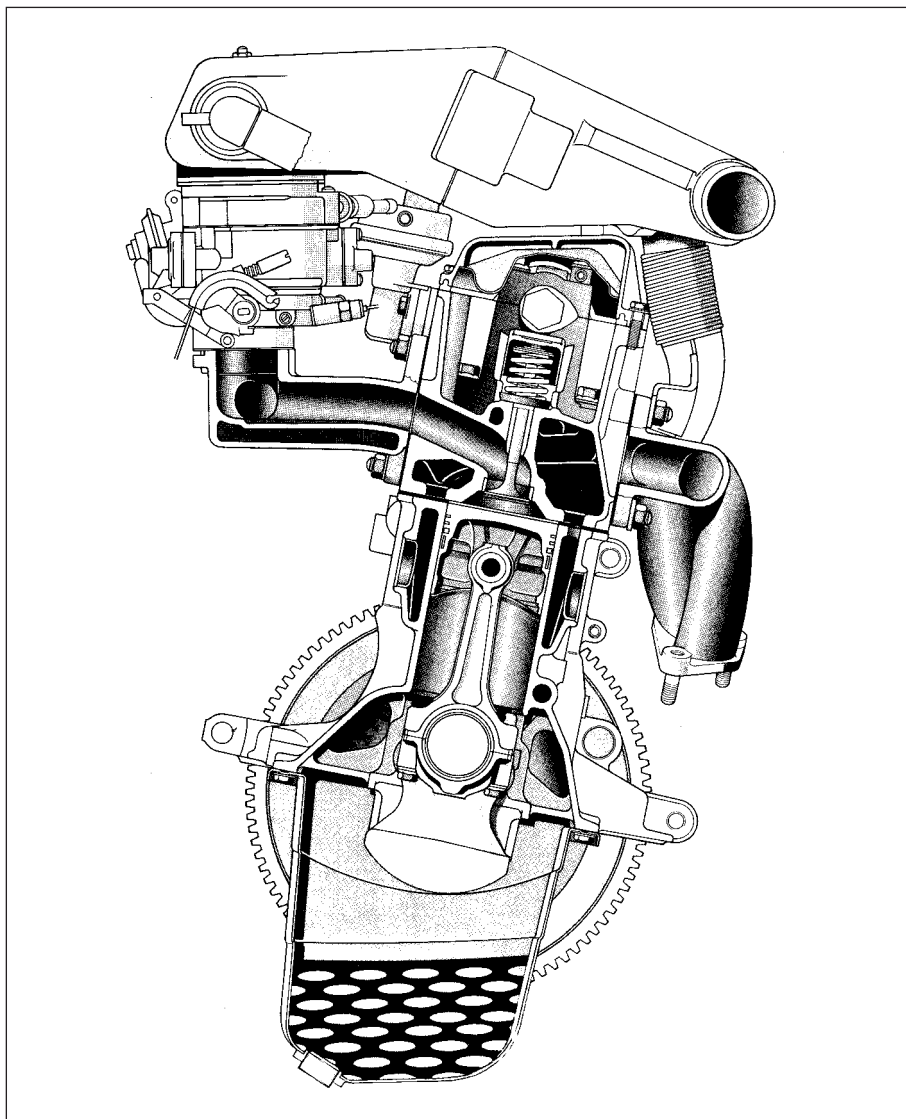


Fig. 13.2 Cross-section view of the 999 and 1108 cc engine (Sec 5A)

5 Engine - 999 and 1108 cc (FIRE)

Note: Later models are fitted with SPI fuel injection. Where a procedure refers to a carburettor, if applicable, replace with throttle body.

PART A: GENERAL

Description

1 Both of these engine types are designated FIRE (Fully Integrated Robotised Engine), being largely manufactured and assembled by computer-controlled mechanical robots.

2 The engine is of oversquare design, having four cylinders and a belt-driven overhead camshaft.

3 The high torque of this engine enables

higher gear ratios to be used with the result that fuel economy is exceptionally good.

4 The cylinder head is of light alloy, while the cylinder block is cast-iron.

5 The camshaft is supported in three bearings which have detachable caps.

6 Valve clearances are maintained by shims located in the cam followers (tappets).

7 The cylinder head is of crossflow type having the intake manifold (coolant-heated) and exhaust manifold on opposite sides.

8 The pistons have two compression rings and one oil control ring and are connected to the connecting rods by means of a gudgeon pin which is an interference fit in the rod small-end.

9 The crankshaft is supported in five main bearings. The upper section of the centre bearing shell retains semi-circular thrust washers to control crankshaft endfloat.

10 The oil pump, which is of gear type, is

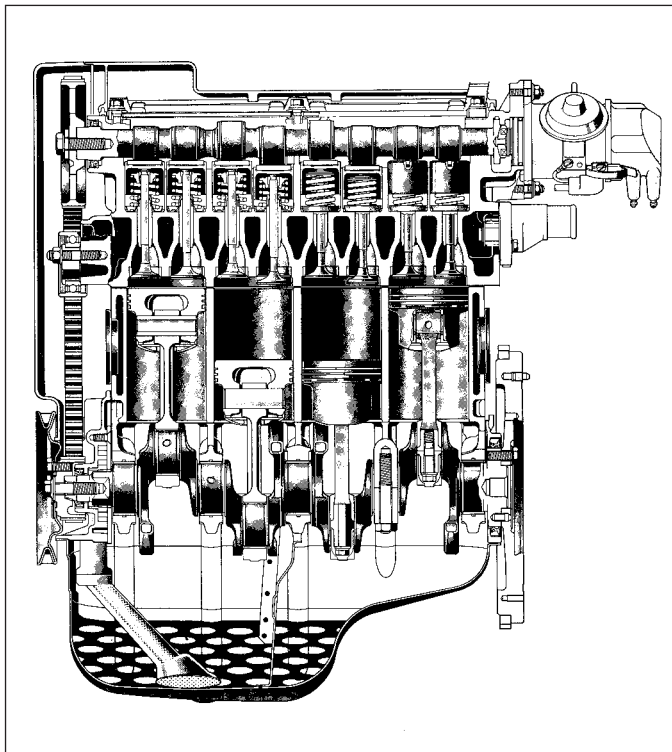


Fig. 13.3 Longitudinal sectional view of the 999 and 1108 cc engine (Sec 5A)

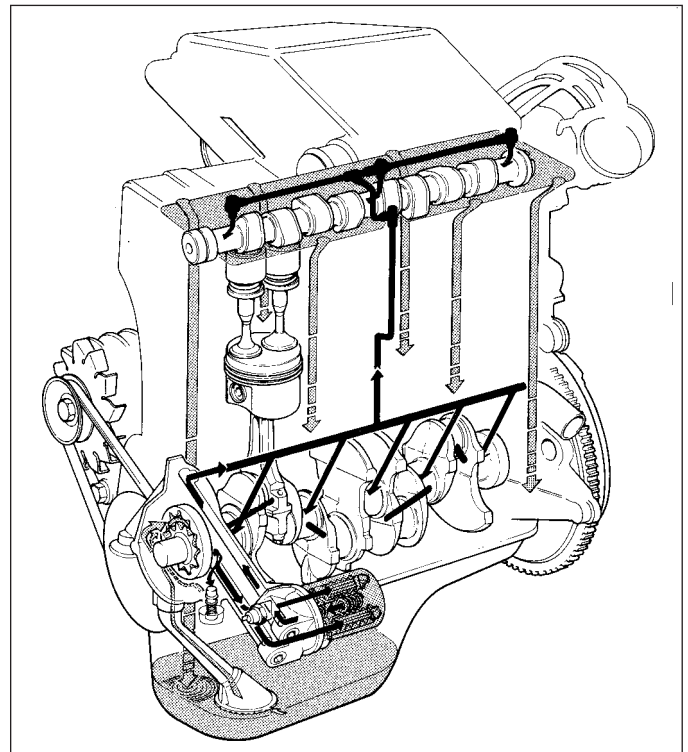


Fig. 13.4 999 and 1008 cc engine lubrication system (Sec 5A)

mounted on the front end of the crankshaft and driven by it.

11 The flexible toothed timing belt drives the

camshaft and the coolant pump from a sprocket on the front end of the crankshaft. The belt is tensioned by an eccentrically-mounted pulley.

12 The distributor and the fuel pump (carburettor models) are driven from the flywheel end of the camshaft. The fuel pump on fuel injection models is an integral unit combined with the fuel gauge sender unit and immersed in the fuel tank.

part numbers for the FIRE engine - 1860443000 and 1887001000 (photos).

2 Remember that the clearance for inlet and exhaust valves differs see Specifications at the beginning of this Supplement.

3 Counting from the timing cover end of the engine, the valve sequence is as follows.

Inlet 2-4-5-7

Exhaust 1-3-6-8

Timing belt - renewal



4 Remove the air cleaner.

5 Slacken and remove the alternator drivebelt, then remove the spark plugs.

6 Unbolt and remove the timing belt cover. Note the bolt located at the bottom of the cover, this can be easily overlooked (photo).

7 Unbolt and remove the crankshaft pulley (photo).

**PART B:
OPERATIONS POSSIBLE
WITH ENGINE IN CAR**

Valve clearances - adjustment

1 The operations are similar to those described in Chapter 1, Section 26, but note that the special tools referred to have different



5B.1A Checking a valve clearance



5B.1B Using a modified C-spanner and screwdriver to remove a shim



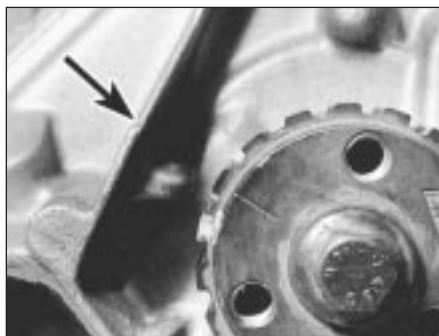
5B.6 Timing cover lower fixing bolt removal



5B.7 Unscrewing the crankshaft pulley bolts



5B.8A Camshaft sprocket timing mark and cylinder head timing mark in alignment



5B.8B Crankshaft sprocket timing mark and oil pump cover alignment mark (arrowed)



5B.9 Releasing the timing belt tensioner nut

8 Turn the crankshaft sprocket bolt, or engage top gear and raise and turn a front roadwheel, until the camshaft sprocket TDC timing mark is aligned with the mark on the cylinder head and the crankshaft sprocket timing mark is aligned with the mark on the oil pump cover (photos).

9 Release the nut on the timing belt tensioner, move the pulley away from the belt and retighten the nut to hold the pulley in the retracted position (photo).

10 Slide the drivebelt from the sprockets.

11 When refitting the new belt, make sure that the sprocket timing marks are still in alignment and fit the belt so that the arrows on the belt point in the direction of engine rotation, and the lines of the belt coincide with the sprocket marks.

12 Engage the timing belt with the crankshaft sprocket first, then place it around the coolant pump sprocket and the camshaft sprocket (photo). Finally slip the belt around the tensioner pulley.

13 Release the tensioner nut and push the pulley against the belt until the belt is quite taut. Check that the sprocket timing marks have not moved out of alignment. If they have, reset them by moving them over the belt teeth.

14 Still applying force to the pulley, tighten its nut.

15 Turn the crankshaft through two complete turns in the normal direction of rotation and check that when the centre of the longest run

of the belt is gripped between finger and thumb it can just be twisted through 90°. If increased tension is required to achieve this, release the tensioner nut and prise the pulley against the timing belt. Note: *The above procedure serves only as a rough guide to setting the belt tension having it checked by a FIAT dealer at the earliest opportunity is recommended.*

16 Refit the timing belt cover, the crankshaft pulley, alternator drivebelt, spark plugs and the air cleaner.

Camshaft - removal and refitting



Warning: Refer to the beginning of Section 9 before starting any work.

17 Remove the air cleaner and the fuel pump

(carb. models), as described in Section 9 of this Supplement.

18 Remove the distributor (Section 10).

19 Remove the timing belt cover.

20 Unbolt and remove the camshaft cover, having first disconnected the HT lead clip (photos).

21 Turn the crankshaft (by engaging top gear and raising and turning a front roadwheel) until No. 4 piston is at TDC. The timing mark on the camshaft sprocket will be in alignment with the mark on the cylinder head.

22 Pass a rod through one of the holes in the camshaft sprocket to prevent it rotating and then unscrew the sprocket fixing bolt. Slip the sprocket from the camshaft and out of the loop of the belt (photos).

23 Mark the camshaft bearing caps as to position and then unbolt and remove the



5B.12 Fitting the timing belt



5B.20A Camshaft cover HT lead clip



5B.20B Removing the camshaft cover



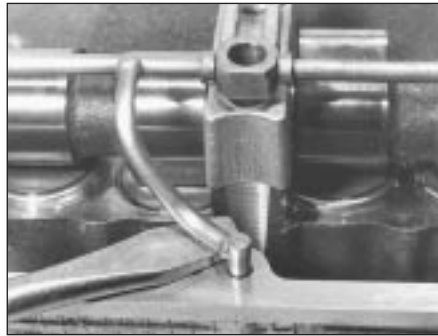
5B.22A Unscrewing the camshaft sprocket bolt



5B.22B Camshaft sprocket bolt and washer



5B.22C Camshaft sprocket showing integral key (arrowed)



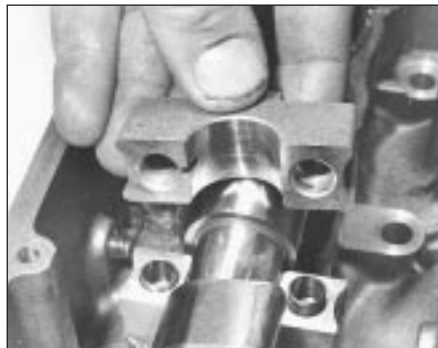
5B.23A Prising out the camshaft oil feed pipe stub



5B.23B Unscrewing the camshaft bearing/banjo union bolt



5B.23C Camshaft lubrication pipe



5B.23D Camshaft bearing cap showing short and long positioning dowels for correct fitting

lubrication pipe (prise the oil feed stub out with a screwdriver), unscrew the remaining bolts and take off the bearing caps (photos).

24 Lift the camshaft carefully from the cylinder head, checking that the valve clearance shims and cam followers are not withdrawn by the adhesion of the oil (photo).

25 If the shims and cam followers are to be removed, keep them in their originally fitted order (photos).

26 Refitting is a reversal of removal but use a new camshaft oil seal and camshaft cover gasket. Oil the camshaft bearings (photos).

27 Make sure that the timing belt is reconnected and tensioned as described previously.

28 Check the valve clearances.

29 Tighten all nuts and bolts to the specified torque.

Cylinder head - removal and refitting



Warning: Refer to the beginning of Section 9 before starting any work.

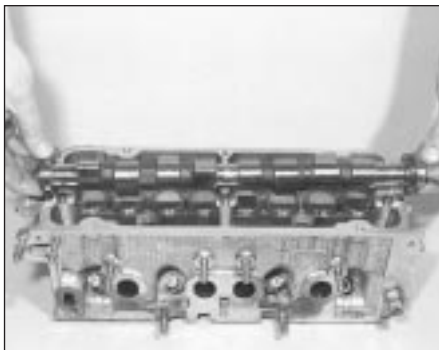
Note: The cylinder head should be removed cold.

30 Drain the cooling system.

31 Remove the air cleaner.

32 Disconnect the throttle and choke connections from the carburettor (photo).

33 On carburettor models, disconnect the fuel hoses from the fuel pump and the carburettor. On fuel injection models,



5B.24 Removing the camshaft



2B.25A Valve clearance shim showing thickness mark



5B.25B Removing a cam follower (tappet) with shim



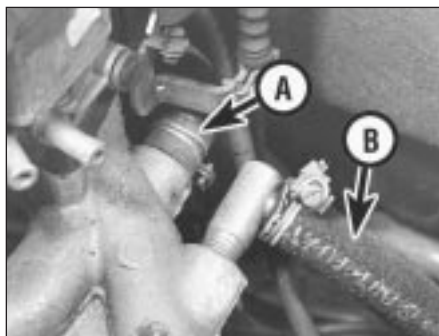
5B.26A Camshaft oil seal



5B.26B Camshaft cover gasket



5B.32 Disconnecting the throttle cable



5B.34 Inlet manifold coolant hose (A) and brake servo vacuum hose (B)



5B.50A Cylinder head gasket

depressurize the fuel system, before disconnecting the fuel pipes and removing the throttle body, as described in Section 9D.

34 Disconnect the coolant and vacuum hoses from the cylinder head and inlet manifold (photo).

35 Disconnect the electrical lead from the coolant temperature switch, the LT leads from the distributor and the idle cut-off solenoid lead.

36 Remove the distributor cap, disconnect the plug leads and place the cap and leads to one side of the engine compartment.

37 Unbolt and remove the timing belt cover.

38 Set No. 4 piston to TDC and then release the timing belt tensioner and slip the belt from the camshaft and coolant pump sprockets.

39 Unbolt and remove the inlet manifold, complete with carburettor, or throttle body as applicable.

40 Unbolt the exhaust manifold from the cylinder head and tie it to one side of the engine compartment; the downpipe bracket will have to be disconnected.

41 Unscrew the cylinder head bolts, a half turn at a time in the reverse order to that shown in Fig. 1.30 of Chapter 1. When the bolts are free, remove them with their washers.

42 Lift the cylinder head from the block. If it is stuck tight, insert pieces of wood into the exhaust or inlet ports and use them as levers to "rock" the head off the block. On no account drive levers into the gasket joint or

attempt to tap the head sideways as it is located on positioning dowels.

43 Remove and discard the cylinder head gasket and both manifold gaskets.

44 The cylinder head can be dismantled after removing the camshaft and cam followers as described in the preceding sub-Section.

45 Further dismantling and decarbonising are described in Chapter 1, Section 39. Note that single valve springs are used.

46 If the valves have been ground in, the valve clearances will require adjusting, as described previously. This should be done before the cylinder head is refitted to the engine.

47 Before refitting the assembled cylinder head, make sure that the head and block mating surfaces are perfectly clean, and that the block bolt holes have been cleared of any oil.

48 The camshaft sprocket timing mark must be aligned with the one on the cylinder head.

49 The new gasket should not be removed from its nylon cover until required for use. Fit the gasket dry to perfectly clean surfaces.

50 Place the gasket on the cylinder block so that the word ALTO can be read from above (photos).

51 Lower the cylinder head onto the block so that it locates on the positioning dowels (photo).

52 The cylinder head bolts must have clean threads, dipped in engine oil and allowed to drain for thirty minutes. Screw the bolts in



5B.50B Cylinder head gasket top surface marking

finger-tight and then tighten them in the sequence shown in Fig. 1.30 of Chapter 1, and in the stages specified (see Specification) (photos).

53 Refit the inlet manifold and carburettor using a new gasket.

54 Reconnect the exhaust manifold using a new gasket. Tighten all nuts to the specified torque. Reconnect the exhaust downpipe bracket.

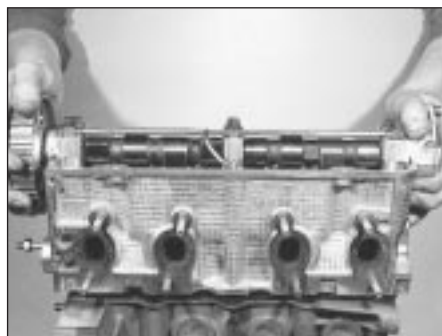
55 Reconnect the timing belt and tension it as described earlier.

56 Refit the timing belt cover and the distributor cap and camshaft cover.

57 Reconnect all hoses, electrical leads and controls.

58 Fit the air cleaner.

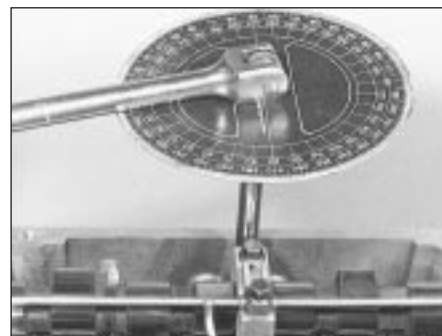
59 Fill and bleed the cooling system.



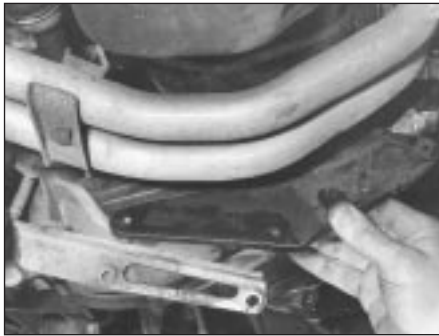
5B.51 Fitting the cylinder head



5B.52A Inserting a cylinder head bolt



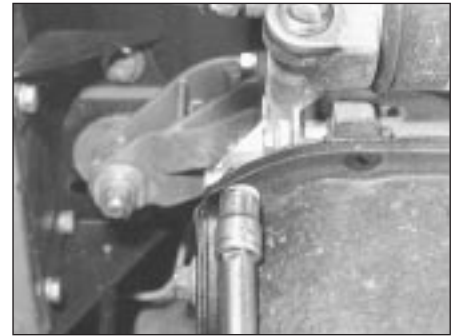
5B.52B Typical disc for angular tightening of cylinder head bolts



5B.61 Removing the flywheel housing cover plate



5B.62 Removing the sump pan



5B.63A Tightening a sump pan screw

Sump pan - removal and refitting



60 Drain the engine oil.

61 Unbolt and remove the cover plate from the lower part of the flywheel housing (photo). The two lower bolts retain the gearchange rod support strut.

62 Unscrew the sump pan securing screws and pull the sump pan downwards to remove it (photo). The joint sealant will require cutting with a sharp knife to release the pan. Clean away all old gasket material.

63 A bead 3.0 mm in diameter of RTV silicone instant gasket should be applied to the sump pan flange and then the pan offered up. Screw in the fixing screws and tighten to the specified torque. Note the flange end fixing screw nuts (photos).

64 Wait one hour before filling with engine oil.

65 Refit the flywheel housing cover plate.

Oil pump - removal, checking and refitting



66 Drain the engine oil and remove the sump pan as described in the last sub-Section. Unscrew and remove the oil filter cartridge.

67 Remove the timing belt.

68 Lock the crankshaft against rotation either by placing a block of wood between a crankshaft web and the inside of the crankcase or by jamming the flywheel starter ring gear with a suitable tool.

69 Unscrew and remove the crankshaft sprocket bolt and take off the timing belt sprocket. If it is tight, use two screwdrivers to lever it off or use a two- or three-legged puller.

70 Unbolt and remove the oil pick-up/filter screen assembly. Note the sealing washer.

71 Extract the oil pump fixing bolts and withdraw the pump.

72 The oil pump incorporates a pressure relief valve which can be removed for examination by depressing the spring plunger and pulling out the keeper plate (photos).

73 If pump wear is suspected, check the gears in the following way. Extract the fixing screws and remove the rear cover plate. The screws are very tight and will probably require the use of an impact driver to release them (photo).

74 Check the clearance between the outer gear and the pump housing using feeler blades, and also the gear endfloat by placing a straight-edge across the pump body and checking the gap between the straight-edge and gear face. If the clearances are outside the specified tolerance, renew the oil pump complete (photos).



5B.63B Sump pan flange end fixing screw and nut



5B.72A Removing the oil pump relief valve keeper plate



5B.72B Oil pump relief valve components



5B.73 Removing the oil pump rear cover plate screws



5B.74A Checking the oil pump gear-to-housing clearance



5B.74B Checking the oil pump gear endfloat



5B.77A Removing the oil pump seal



5B.77B Using a socket to fit the new oil pump oil seal



5B.78 Fitting the oil pump

75 If the pump is unworn, refit the rear cover plate and tighten the screws fully.

76 Apply air pressure from a tyre pump to the oil pump oil ducts to clear any sludge or other material and then prime the pump by pouring clean engine oil into its intake duct at the same time turning the oil pump inner gear with the fingers.

77 Lever out the oil seal and drive a new one squarely into the oil pump casing (photos). Lubricate the oil seal lips.

78 Bolt the pump into position using a new joint gasket. Note one bolt is longer than the others (photo).

79 Bolt on the oil pick-up assembly using a new sealing washer.

80 Fit the crankshaft sprocket and tighten the bolt to specified torque.

81 Fit and tension the timing belt.

82 Fit the sump pan. Screw on a new oil filter cartridge. Wait for the specified period of time (one hour) and then fill the engine with oil.

83 Run the engine for a few minutes, then check and top up the oil level.

Pistons/connecting rods -  removal and refitting

84 Remove the sump pan.

85 Unbolt and remove the oil pump pick-up/filter screen assembly.

86 The big-end bearing shells can be renewed without having to remove the cylinder head if the caps are unbolted and the piston/connecting rod pushed gently about one inch up the bore (the crankpin being at its lowest point). If these shells are worn,

however, the main bearing shells will almost certainly be worn as well, necessitating a complete overhaul, including crankshaft removal.

87 To remove the piston/connecting rods, the cylinder head must be removed.

88 The big-end caps and their connecting rods are numbered 1, 2, 3 and 4 from the timing cover end of the engine. The numbers are located either side of the rod/cap joint on the engine oil dipstick tube side (photo).

89 Turn the crankshaft as necessary to bring the first connecting rod big-end crankpin to its lowest point, then unscrew the cap bolts and remove the cap and shell bearing.

90 Push the connecting rod/piston assembly up the bore and out of the cylinder block. There is one reservation; if a wear ridge has developed at the top of the bores, remove this by careful scraping before trying to remove the piston/rod assemblies. The ridge will otherwise prevent removal, or break the piston rings during the attempt.

91 Remove the remaining piston/connecting rods in a similar way. If the bearing shells are to be used again, tape them to their respective caps or rods.

92 Removal of the piston rings and separation of the piston from the connecting rod is covered in the next sub-Section.

93 Fit the bearing shells into the connecting rods and caps, ensuring that the recesses into which the shells seat are clean and dry.

94 Check that the piston ring gaps are evenly spaced at 120° intervals. Liberally oil the rings and the cylinder bores.

95 Fit a piston ring clamp to compress the rings, oiling the rings and the clamp interior surfaces liberally.

96 Insert the first piston/connecting rod into its cylinder bore. Make sure that the assembly is the correct one for its particular bore. The cap and rod matching numbers must be towards the engine oil dipstick guide tube and the arrow on the piston crown towards the timing belt (photo).

97 Push the piston into the bore until the piston ring clamp is against the cylinder block and then tap the crown of the piston lightly to push it out of the ring clamp and into the bore (photo).

98 Oil the crankshaft journal and fit the big-end of the connecting rod to the journal. Check that the bearing shells are still in position, then fit the big-end cap and bolts; check that the cap is the right way round (photo).



5B.88 Connecting rod and cap numbers



5B.96 Piston directional arrow



5B.97 Fitting a piston/connecting rod



5B.98 Fitting a big-end bearing cap



5B.99 Tightening a big-end cap bolt

99 Tighten the big-end bolts to the specified torque (photo). The correct torque is important as the bolts have no locking arrangement. After tightening each big-end, check that the crankshaft rotates smoothly.

100 Repeat the operations on the remaining piston/rod assemblies.

101 Refit the oil pump pick-up assembly using a new sealing ring.

102 Refit the sump pan and the cylinder head as described in earlier sub-Sections.

103 Fill the engine with oil and coolant.

Pistons/connecting rods - separation and piston ring renewal



104 If the piston/connecting rods have been removed in order to renew the piston rings, refer to Chapter 1, Section 18, but note that

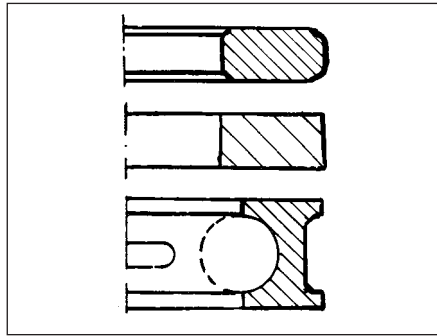


Fig. 13.5 Piston ring arrangement on the 999 cc engine (Sec 5B)

the piston rings should be fitted so that the word TOP is uppermost.

105 If new pistons are to be fitted, it is recommended that the gudgeon pins are removed and refitted by a FIAT dealer as the connecting rods must be carefully heated in order to be able to push the gudgeon pin out of the rod small-end, change the piston and push the pin back into position. Locating the gudgeon pin will require a special tool. The gudgeon pin is a sliding fit in the piston but an interference fit in the connecting rod.

106 Refer to Fig. 13.6 for the correct assembly of the piston and connecting rod.

Engine/transmission mountings - renewal

107 Refer to Chapter 1, Section 33. Three mountings are used (photos).

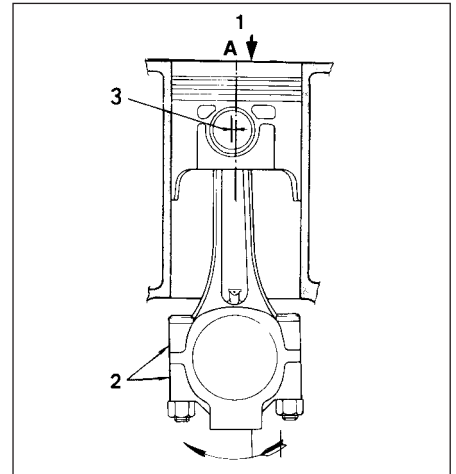


Fig. 13.6 Piston/connecting rod correctly assembled - 999 and 1108 cc engine (Sec 5B)

- 1 Piston grade (A) and directional arrow on piston crown (towards timing belt)
 - 2 Rod/cap matching numbers
 - 3 Gudgeon pin offset in piston (0.9 to 1.1 mm)
- Arrow indicates crankshaft rotation direction

PART C: ENGINE REMOVAL AND DISMANTLING

Method of removal - general

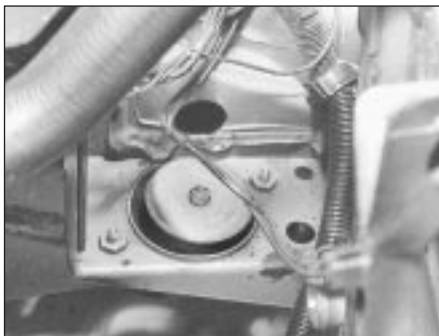
1 The engine, complete with transmission, should be removed upwards out of the engine compartment.

Engine/transmission - removal and separation



Warning: Refer to the beginning of Section 9 before starting any work.

- 2 Mark the position of the hinges on the underside of the bonnet and then, with the help of an assistant, unscrew the hinge bolts and lift the bonnet to a safe storage area.
- 3 Drain the coolant; a cylinder block drain plug is not fitted.
- 4 Drain the engine and transmission oils.
- 5 Disconnect the battery, negative lead first.
- 6 Remove the air filter.
- 7 Disconnect the radiator hoses from the engine (photos).



5B.107A Left-hand front engine/transmission mounting



5B.107B Left-hand rear engine/transmission mounting



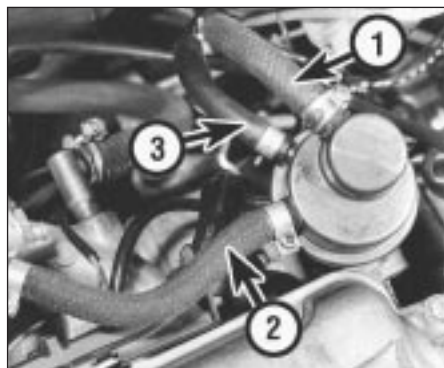
5B.107C Right-hand engine mounting



5C.7A Radiator hose connection to coolant distribution tube



5C.7B Radiator hose at thermostat housing



5C.9 Fuel hose identification at pump; inlet hose (1), hose to carburettor (2), return hose (3)



5C.12 Choke cable connection at carburettor



5C.15 Ignition coil HT lead connection

8 Disconnect the heater hose from the inlet manifold.

9 On fuel injection models, depressurize the fuel system (refer to Section 9D). Disconnect the fuel inlet and return hoses from the fuel pump (photo) or throttle body, as applicable.

10 Disconnect the brake servo vacuum hose from the inlet manifold.

11 Disconnect the throttle cable from the carburettor, or throttle body as applicable.

12 Disconnect the choke cable, if applicable (photo).

13 Disconnect the leads from the alternator.

14 Disconnect the battery earth lead from the transmission casing.

15 Disconnect the leads from the starter motor and the HT lead from the ignition coil (photo).

16 Disconnect the coolant temperature switch lead and the HT leads from the distributor (photo).

17 Disconnect the lead from the carburettor fuel cut-off (anti-diesel) solenoid valve, where applicable.

18 Disconnect the lead from the oil pressure switch (photo).

19 Although not essential, removal of the radiator is recommended as a precaution against its damage during removal of the power unit. Disconnect the wiring plugs

from the fan and thermostatic switches (photos).

20 Disconnect the leads from the reversing lamp switch on the transmission.

21 Disconnect the clutch cable from the release lever on the transmission.

22 Disconnect the speedometer cable from the transmission by unscrewing the knurled ring.

23 Working under the car, disconnect the exhaust downpipes from the manifold and the lower support bracket (photos).

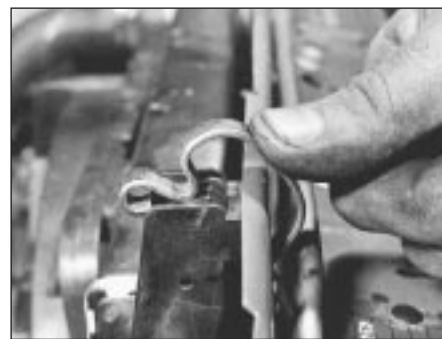
24 Disconnect the gearchange rods from the levers on the transmission. One rod is retained by a spring clip, the other by a



5C.16 Coolant temperature switch



5C.18 Oil pressure switch



5C.19A Radiator retaining clip



5C.19B Radiator fan motor wiring connector



5C.19C Radiator fan cut-out thermostatic switch



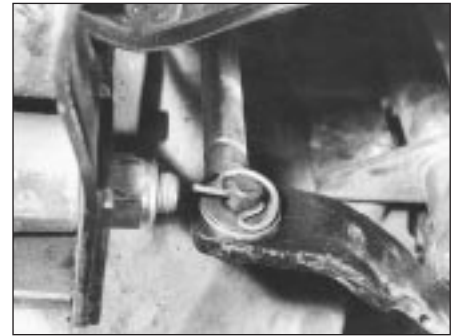
5C.19D Removing the radiator/fan assembly



5C.23A Exhaust downpipe flange nuts



5C.23B Unscrewing the exhaust pipe lower support bracket bolt



5C.24A Gearchange rod connecting pin and spring clip



5C.24B Gearchange rod with ball socket connection



5C.24C Gearchange rod support bracket

snap-on ball socket. Unbolt the gearchange rod support bracket from the cover plate on the flywheel housing (photos).

25 Remove the screws from the driveshaft inboard gaiter retaining plates (photos). Expect slight oil loss.

26 Disconnect the rear left-hand transmission mounting. Do this by unscrewing the two outer bolts not the centre one. The engine will incline to the rear once the mounting is released (photo).

27 Raise the front of the car and support it securely so that the front roadwheels hang free.

28 Remove the front roadwheels.

29 Unscrew the tie-rod end balljoint taper pin nuts, and then using a suitable "splitter" tool, disconnect the balljoints from the eyes of the steering arms.

30 Unscrew the bolts from the clamps at the bottom of the front suspension struts, tilt the hub carriers outwards and partially disconnect the driveshaft inboard joints from the transmission.

31 Support the weight of the engine/transmission on a suitable hoist, and then disconnect the right-hand and left-hand front engine/transmission mountings (photos).

32 Unbolt and remove the engine mounting brackets from the engine and the transmission (photo).

33 Raise the power unit slowly until the driveshafts release from the transmission and



5C.25A Two of the left-hand driveshaft joint gaiter retaining plate screws (arrowed)



5C.25B Driveshaft joint gaiter withdrawn



5C.26 Left-hand rear (lower) transmission mounting disconnected



5C.31A Right-hand engine mounting disconnected



5C.31B Left-hand engine mounting and bracket



5C.32 Right-hand engine mounting brackets on body and engine



5C.34 Lifting out the engine and transmission



5C.39 Separating the engine and transmission

can be lowered to rest on the exhaust and bodymember.

34 Continue to raise the engine and the transmission until it can be removed from the engine compartment and placed on the work surface (photo).

35 Clean the exterior of the engine and transmission by steam cleaning or using a water soluble solvent.

36 Unbolt and remove the starter motor.

37 Unscrew the flywheel housing-to-engine flange bolts. Note the location of the engine lifting lug.

38 Unbolt and remove the lower cover plate from the flywheel housing.

39 Pull the transmission from the engine. It is located by two hollow dowels and one stud (photo).

Dismantling - general

40 Refer to Chapter 1, Section 14.

Complete dismantling



Warning: Refer to the beginning of Section 9 before starting any work.

41 Unbolt and remove the camshaft cover.

42 Unbolt and remove the timing belt cover.

43 Remove the distributor (Section 10).

44 Remove the hot air collector and the exhaust manifold.

45 Release, disconnect and remove the coolant distribution pipe from the rear of the coolant pump.

46 Unscrew and discard the oil filter cartridge.

47 Unbolt the thermostat housing, discard the joint gasket.

48 Remove the fuel pump, together with its insulator block and actuating pushrod, if applicable.

49 Remove the carburettor, or throttle body, as appropriate.

50 Remove the inlet manifold and discard the joint gasket.

51 Remove the alternator and its drivebelt and withdraw the engine oil dipstick.

52 Unbolt and remove the crankshaft pulley.

53 Unbolt and remove the timing belt tensioner.

54 Remove the timing belt.

55 Unbolt and remove the coolant pump.

56 Remove the cylinder head.

57 Remove and discard the cylinder head gasket.

58 Remove the clutch.

59 Lock the flywheel starter ring gear teeth and remove the crankshaft sprocket bolt and sprocket.

60 Unbolt and remove the sump pan, then the exhaust pipe support bracket (photos).

61 Prevent rotation of the crankshaft by locking the starter ring gear teeth and then unbolt and remove the flywheel. The flywheel can only be fitted in one position as it is located on a dowel.

62 Remove the engine rear plate. Note the

small socket-headed screw which holds the timing index plate (photo).

63 Unbolt and remove the oil pump pick-up assembly, followed by the oil pump itself.

64 Turn the engine on its side and remove the piston/connecting rod assemblies.

65 Stand the engine on its cylinder block machined face, and then unbolt and remove the crankshaft rear oil seal retainer. Discard the gasket.

66 Note the markings on the main bearing caps. One line on the cap nearest the timing belt, then two, C for centre cap, then three and four (photo).

67 The caps will only fit one way round.

68 Unbolt the main bearing caps, removing them with the shell bearings.

69 Lift the crankshaft from the crankcase and remove the bearing half shells from the



5C.60A Removing the sump pan



5C.60B Exhaust pipe support bracket attached to crankcase



5C.62 Unscrewing socket-head screw from timing index plate



5C.66 Main bearing cap markings



5C.80 Timing belt tensioner

crankcase. If the shells are to be used again, keep them with their respective bearing caps.
70 The thrust washers which control crankshaft endfloat are located in the crankcase, and retained by the turned-over edges of the centre main bearing shell.
71 The engine is now fully stripped.

Examination and renovation

72 The procedures for the following items are essentially as described in Chapter 1, Section 18.

- Cylinder block and crankcase*
- Crankshaft and bearings*
- Flywheel*
- Oil seals and gaskets*

Cylinder head

73 Using a straight-edge, check the cylinder head gasket surface for distortion. If it exceeds the specified tolerance, it must be surface ground by your dealer.



5D.2 Main bearing shell in crankcase



5D.3 Crankshaft thrust washer at centre bearing

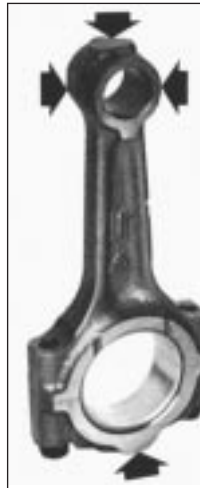


Fig. 13.7 Metal removing areas (arrowed) on connecting rod - 999 and 1108 cc engine (Sec 5C)

74 Refer to Chapter 1, Section 39, for dismantling and renovation operations. Note that single valve springs are fitted.

Oil pump

75 Checking operations are described in sub-Section B.

Pistons and connecting rods

76 Refer to sub-Section B.

77 If one or more connecting rods are changed, it is important that its weight is identical to that of the original. Use an accurate balance to weigh them and remove metal if necessary from the new rod in the areas indicated in Fig. 13.7.

Camshaft and cam followers

78 If the camshaft journals or bearings show any sign of wear or scoring, then the camshaft, or cylinder head, or both must be renewed.

79 The cam followers should be checked for ovality using a micrometer. Unless unworn they should be renewed.

Timing belt tensioner and timing belt

80 The tensioner is a lubricant-sealed pulley, and it should be tested for smooth and quiet operation by turning it with the fingers. Any evidence of roughness or rattle will indicate the need for a new assembly (photo).



Fig. 13.8 Checking a cam follower for ovality - 999 and 1108 cc engine (Sec 5C)

81 The timing belt should be inspected at regular intervals for correct adjustment and condition (see Section 3 or "Routine maintenance" at the beginning of the Manual). If there is evidence of worn teeth, cracking or fraying, or oil contamination, renew the belt. The vehicle manufacturers recommend that the belt is renewed whenever it is removed, and it should certainly be renewed at the intervals specified in Section 3 or the main "Routine maintenance" section at the beginning of this Manual as a precautionary measure against belt breakage and consequent expensive engine damage.

PART D: ENGINE REASSEMBLY AND REFITTING

Reassembly - general

1 Refer to Chapter 1, Section 19.

Complete reassembly



2 With the cylinder block/crankcase standing on the work surface, fit the bearing half shells into their crankcase seats (photo). Make sure that the seats are perfectly clean as dirt or grit trapped under the shell will cause binding when the crankshaft is turned.

3 The centre bearing crankcase web incorporates the thrust washers held by the lips of the bearing shell (photo).

4 Oil the shells and lower the crankshaft into the crankcase (photo).

5 Fit the bearing shells into the main bearing caps, again making sure that the shell seats are perfectly clean (photo).



5D.4 Fitting the crankshaft



5D.5 Main bearing cap and shell



5D.6 Fitting a main bearing cap



5D.7A Initial tightening of a main bearing cap bolt



5D.7B Angle-tightening a main bearing cap bolt

6 Fit the main bearing caps in their numbered sequence and the correct way round (photo).

7 Clean the threads of the main bearing cap bolts, lightly oil them and screw them in finger-tight. Tighten all bolts progressively to the specified torque, then check that the crankshaft turns smoothly and evenly (photos).

8 Now check the crankshaft endfloat. Do this using a dial gauge or feeler blades inserted between the machined shoulder of a journal and the side of the bearing cap (photo). Move the crankshaft fully in one direction and then the other to ensure that full movement is obtained. If the endfloat is outside the specified tolerance and new bearing shells

have been fitted, then a fault must have occurred during crankshaft regrinding.

9 Fit a new oil seal to the crankshaft rear oil seal retainer. Apply grease to the seal lips. A conventional gasket is not used at the oil seal joint face but a 3.0 mm diameter bead of RTV silicone instant gasket must be applied to a clean surface as shown in Fig. 13.9 (photo).

10 Bolt the retainer into position. One hour at least must be allowed for the RTV to cure before oil contacts it.

11 Turn the engine on its side and fit the piston/connecting rods as described in sub-Section B.

12 Fit a new oil seal to the oil pump, oil the

seal lips and bolt on the pump using a new joint gasket (photos).

13 Use a new sealing washer and fit the oil pick-up/filter screen assembly.

14 Fit the engine rear plate and then the flywheel on its mounting flange. Apply thread-locking fluid to (clean) bolt threads and screw in the bolts to the specified torque (photo). Hold the flywheel against rotation by locking the starter ring gear with a suitable tool.

15 Fit the sump pan as described in sub-Section B.

16 Fit the crankshaft sprocket so that the timing mark is visible. Lock the flywheel starter ring gear teeth, and screw in and



5D.8 Checking crankshaft endfloat using a dial gauge

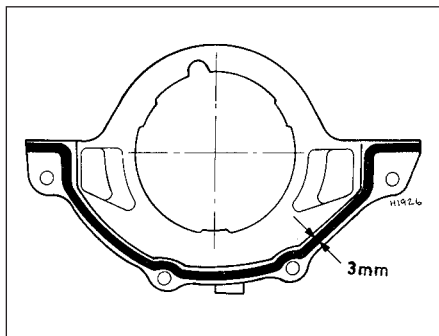


Fig. 13.9 Application area for silicone gasket on crankshaft rear oil seal retainer (Sec 5D)



5D.9 Fitting crankshaft rear oil seal retainer



5D.12A Oil pump gasket



5D.12B Tightening an oil pump bolt



5D.14 Tightening a flywheel bolt



5D.16A Crankshaft sprocket showing integral key



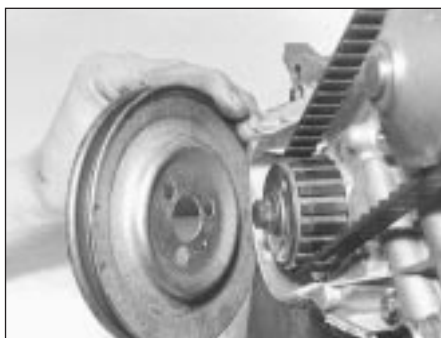
5D.16B Tightening the crankshaft sprocket bolt



5D.20 Fitting the timing belt rear cover

tighten the sprocket bolt to the specified torque (photos).

17 Refit the clutch to the flywheel as



5D.22 Crankshaft pulley installation

described in Chapter 5. Make sure that the driven plate is centralised.

18 Fit the cylinder head.

19 Refit the coolant pump. A conventional gasket is not used at the joint face, but apply a continuous bead of RTV silicone instant gasket 3.0 mm in diameter to the pump mating surface. Allow at least one hour for curing before permitting coolant to contact it.

20 Fit the timing belt rear cover, then the timing belt tensioner and lock in its retracted position (photo).

21 Fit and tension the timing belt as described in sub-Section B.

22 Bolt on the crankshaft pulley (photo).

23 Refit the alternator and drivebelt (photo).

24 Refit the engine oil dipstick.

25 Using a new gasket, bolt on the inlet

manifold, tightening the nuts to the specified torque (photos).

26 Refit the carburettor, or throttle body, as appropriate.

27 Fit the fuel pump, insulator block and actuating rod, if applicable. Make sure that a new gasket is placed on each side of the pump insulator block.

28 Using a new gasket, bolt on the thermostat housing.

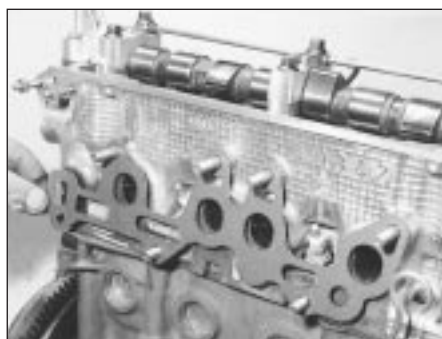
29 Oil the sealing ring of a new oil filter cartridge and screw it into position using hand pressure only (photo).

30 Refit the coolant distribution pipe to the rear of the coolant pump. Use a new seal (photo).

31 Using a new gasket, bolt on the exhaust manifold (photo).



5D.23 Alternator and drivebelt



5D.25A Inlet manifold gasket



5D.25B Fitting the inlet manifold



5D.29 Oil filter cartridge and mounting base



5D.30 Coolant distribution pipe



5D.31 Exhaust manifold



5D.32 Air cleaner hot air collector plate



5D.38 Lifting eye on flywheel housing flange



5D.45 Connecting ball socket type gearchange rod

32 Fit the hot air collector plate for the air cleaner (photo).

33 Refer to Section 10 and fit the distributor.

34 Bolt on the timing belt cover.

35 Fit the camshaft cover, using a new gasket unless the original one is in perfect condition.

Engine/transmission - reconnection and refitting

36 Locate the engine in an upright position on wooden blocks to allow for the greater depth of the transmission flywheel housing when it is joined to the engine.

37 Make sure that the clutch driven plate has been centralised, offer the transmission to the engine and locate the flywheel housing on the single stud and dowels.

38 Tighten the connecting bolts to specified

torque, having located the lifting eye (photo).

39 Bolt on the starter motor.

40 Refit the cover plate to the flywheel housing, but do not insert the lower bolts at this stage as they retain the support bracket for the gearchange rod.

41 The engine and transmission are now ready for refitting. The operations are a direct reversal of the operations described earlier, but observe the following points.

42 Have the engine/transmission perfectly horizontal and suspended on the hoist.

43 Lower it into position very slowly until it is possible to engage the driveshaft inboard joints with the transmission.

44 Continue lowering until the driveshafts can be fully engaged and the mountings reconnected. Remove the hoist.

45 Tighten all nuts and bolts to the specified

torque. Note the method shown for connecting the gearchange rod ball socket using pliers (photo).

46 Refill the engine with oil and coolant and replenish the transmission oil.

Initial start-up after major overhaul

47 Refer to Chapter 1, Section 45.

6 Engine - 1301 cc Turbo ie

PART A: GENERAL

Description

1 This engine is similar in design to the 1301 cc engine described in Chapter 1, but the fuel and ignition systems are different, and a turbocharger, oil cooler and intercooler are fitted.

2 Many dimensions and tolerances have been altered for this engine, and reference should be made to the Specifications at the beginning of this Supplement.

3 Operations which differ from those described in Chapter 1 are given in the following sub-Sections.

Lubrication system - description

4 The lubrication system differs from the non-Turbo 1301 cc engine in the following respects.

5 An oil cooler is fitted, which comprises a matrix with inlet and outlet hoses connected to the oil filter cartridge mounting base.

6 A thermostatic control switch is fitted, which diverts the oil flow through the matrix only at oil temperatures above 84°C (183°F). Note that a faulty switch will require renewal of the complete oil filter mounting base.

7 Special oil spray nozzles are located in the crankcase main bearing webs, to cool the underside of the pistons.

8 The ball-type valves in the nozzles open when the engine oil pressure reaches 1.2 bars (17.4 lbf/in²).

9 An oil pressure sender unit is screwed into

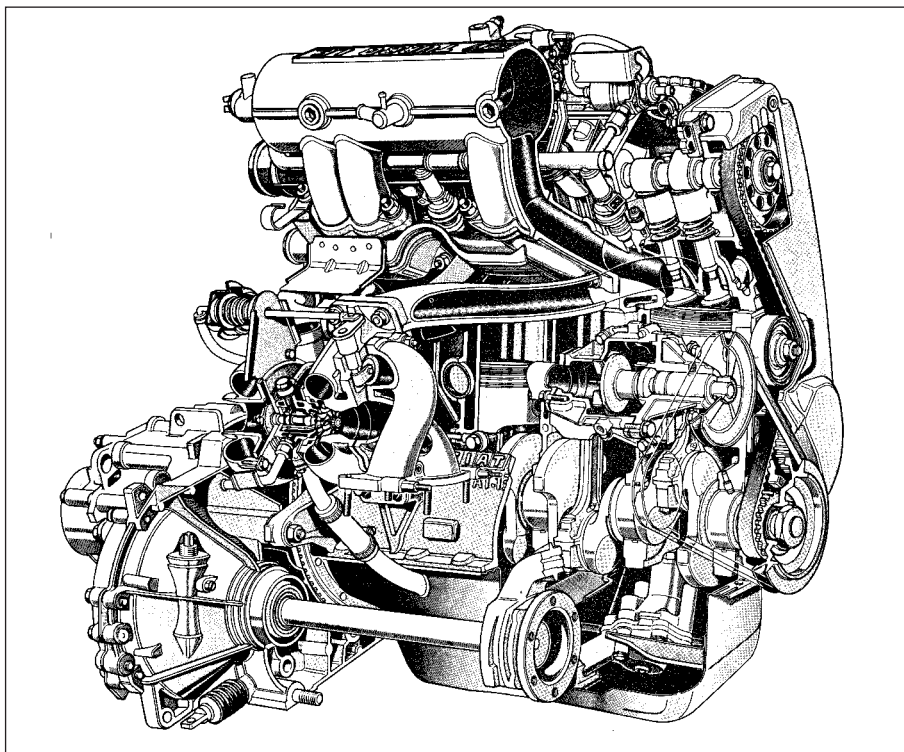


Fig. 13.10 Cutaway view of the 1301 cc Turbo ie engine (Sec 6A)

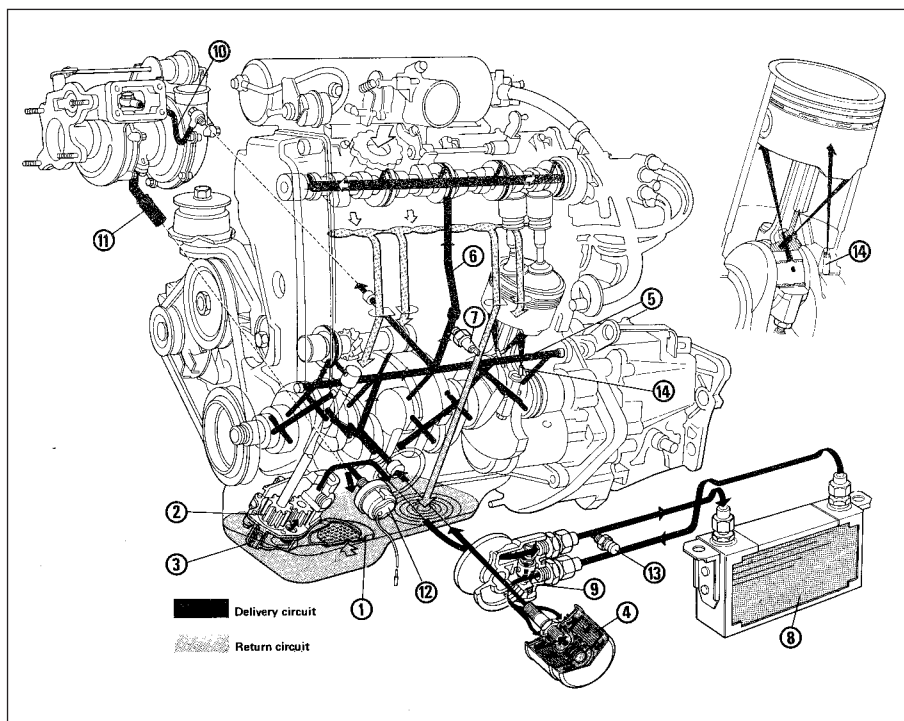


Fig. 13.11 1301 cc Turbo ie engine lubrication system (Sec 6A)

- | | | |
|-----------------------------|---------------------------|--------------------------------|
| 1 Oil pick-up strainer | 6 Camshaft oil feed | 11 Turbocharger oil return |
| 2 Oil pump | 7 Low oil pressure switch | 12 Oil pressure sender unit |
| 3 Oil pressure relief valve | 8 Engine oil cooler | 13 Oil temperature sender unit |
| 4 Oil filter cartridge | 9 Filter mounting base | |
| 5 Main oil gallery | 10 Turbocharger oil feed | 14 Piston oil spray nozzle |

the crankcase to operate the oil pressure gauge. In addition, a low oil pressure switch screwed into the camshaft oil gallery actuates a warning light on the instrument panel in the

event of the pressure dropping dangerously low (photo). **10** Oil supply/return ducts provide the turbocharger lubrication.

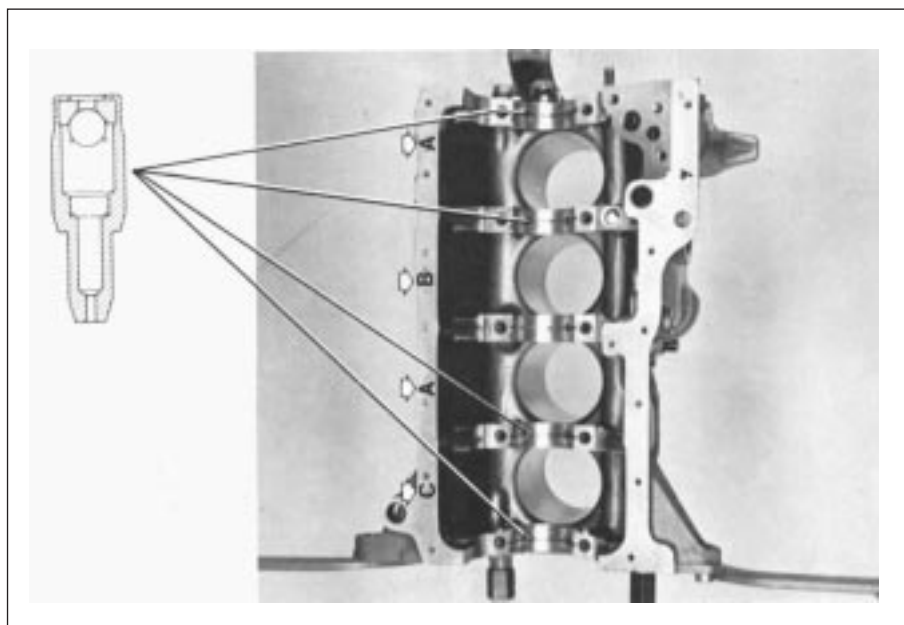


Fig. 13.12 Piston oil spray nozzle locations - 1301 cc Turbo ie engine (Sec 6A)

Letters denote cylinder bore grade



6A.9 Oil pressure sender unit

PART B: OPERATIONS POSSIBLE WITH ENGINE IN CAR

Camshaft and camshaft carrier - removal and refitting



Warning: Refer to the beginning of Section 9 before starting any work.

- 1 Disconnect the battery, negative lead first.
- 2 Disconnect its leads and unbolt the distributor from the end of the camshaft, and place it to one side.
- 3 Disconnect the air intake hose from the throttle valve housing.
- 4 Disconnect the short throttle control cable from its sector.
- 5 Remove the throttle cable support bracket.
- 6 Disconnect the earth leads from the camshaft cover.
- 7 Refer to Section 9, Part C of this Supplement and remove the following components.

*Supplementary air valve
Inlet manifold with fuel pressure regulator and excess pressure safety switch
Injector cooling duct*

- 8 Disconnect the wiring plug from the Microplex ignition anti-knock sensor.
- 9 Carry out the operations described in Chapter 1, Section 27, paragraphs 4 to 12.
- 10 Refitting is a reversal of removal, referring to Section 28 of Chapter 1 for the timing belt refitting procedure, and to Chapter 1, Section 27, paragraphs 15 to 18.

Cylinder head - removal and refitting



- 11 Carry out the operations described in paragraphs 4 to 9 in the preceding sub-Section, then refer to Chapter 1, Section 29, but ignore all references to the carburettor.
- 12 Note the distributor mounting cover.
- 13 Four additional cylinder head bolts are used on these engines, adjacent to the spark plugs (photo). Note that their tightening torque differs from the other cylinder head bolts - see Specifications. These four bolts are tightened

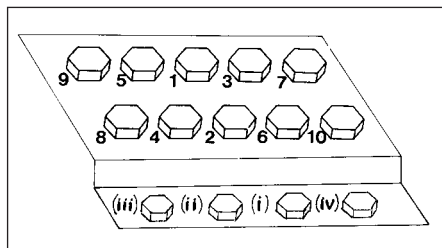


Fig. 13.13 Cylinder head bolt tightening sequence on the 1301 cc Turbo ie engine (Sec 6B)

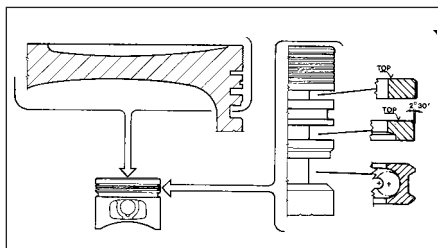
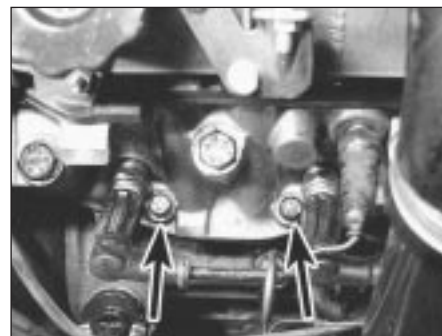


Fig. 13.14 Piston ring arrangement on the 1301 cc Turbo ie engine (Sec 6B)



6B.13 Two of the four additional cylinder head bolts (arrowed)

separately, after the ten main bolts (see Fig. 13.13).

Piston rings

14 The piston rings comprise two compression rings marked TOP, and an oil control ring.

15 Cross-sections and fitting details are shown in Fig. 13.14.

Engine mountings - renewal

16 The operations are essentially as described in Section 33 of Chapter 1, but note the design and fixings of the individual mountings used on the turbocharged engine (photos).

Timing belt - renewal



17 The operations described in Chapter 1, Section 28 generally apply, but the following differences should be noted.

18 Remove the engine compartment right-hand shield. This is secured by plastic clips. To remove a clip, push out its centre pin.

19 The TDC sensor must be unbolted to provide room to remove and refit the timing belt, which can be carried out without having to remove the crankshaft pulley (photos).

20 The belt tensioner on later versions does not incorporate a spring, but is of eccentric centre bolt hole type. Have the pulley bolt released, and tension the belt by turning the pulley using a pin wrench or circlip pliers in the two holes provided. Keep the tension applied while the lockbolt is tightened. Turn the crankshaft through two complete turns, and then check the belt tension. With moderate finger and thumb pressure, the belt should just twist through

90° when gripped at the mid-point of its longest run (photo). **Note:** This procedure serves only as a rough guide to setting the belt tension - having it checked by a FIAT dealer at the earliest opportunity is recommended.

Oil pump drivegear cover plate

21 Due to the fact that the distributor is driven from the end of the camshaft, the oil pump gear does not have an extension to drive the distributor, which would be the case if it was mounted on the crankcase.

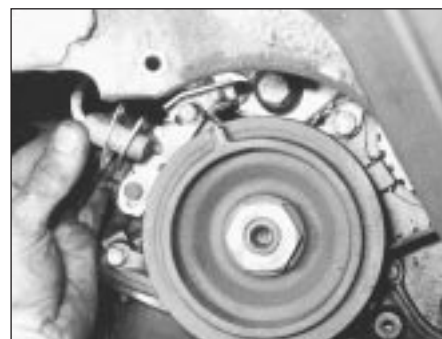
22 The crankcase aperture is therefore covered by a plate and gasket, together with a wiring clip (photo).



6B.16A Engine/transmission centre mounting



6B.16B Engine/transmission right-hand mounting



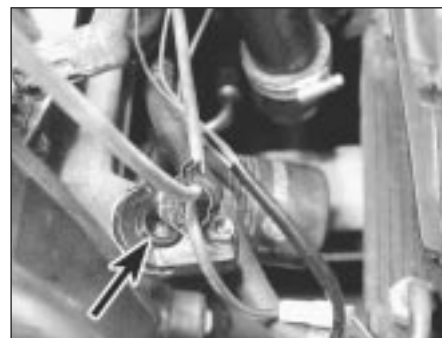
6B.19A Removing the TDC sensor



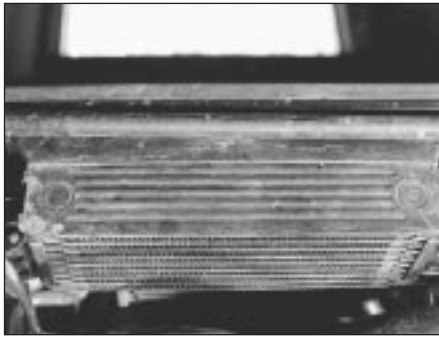
6B.19B Removing the timing belt



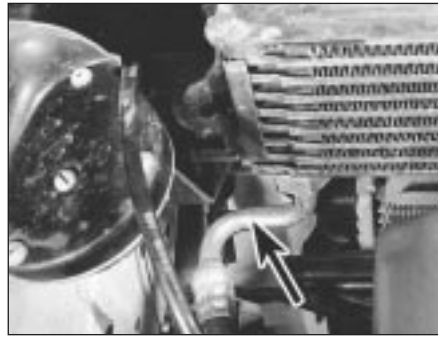
6B.20 Belt tensioner pulley locknut (arrowed)



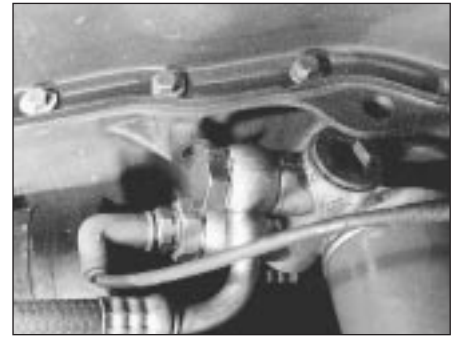
6B.22 Distributor drive hole cover plate (arrowed)



6B.23 Oil cooler



6B.24A Oil cooler pipe connection (arrowed)



6B.24B Connections at oil filter cartridge mounting base

Engine oil cooler - removal and refitting



23 The oil cooler is mounted behind the front bumper/spoiler (photo).

24 Disconnect the oil flow and return hoses, either from the cooler or the oil filter cartridge mounting base. Be prepared for some leakage of oil (photos).

25 Unscrew the mounting bolts and remove the oil cooler heat exchanger (photo).

26 When refitting, make sure that the banjo union sealing washers are in good condition.

PART C: ENGINE REMOVAL, DISMANTLING, REASSEMBLY AND REFITTING

Engine/transmission - removal and separation



Warning: Refer to the beginning of Section 9 before starting any work.

1 Refer to Chapter 1, Section 35, and carry out the operations described in paragraphs 1 to 11.

2 Disconnect the excessive air pressure switch from the inlet manifold.

3 Disconnect the ducts and remove the airflow meter.

4 Disconnect the leads from the spark plugs and the distributor LT connector, and unbolt and remove the distributor from the rear end of the camshaft carrier.

5 Disconnect the fuel return hose from the pressure regulator.

6 Disconnect the fuel inlet hose from the injector rail.

7 Disconnect the wiring plugs from the fuel injectors.

8 Disconnect the leads from the oil pressure sender unit, the low oil pressure switch and the coolant temperature switch.

9 Remove the hose/pipe assemblies from the intercooler.

10 Disconnect the throttle control rod at the balljoint.

11 Disconnect the hoses and ducts from the turbocharger and the mechanical bypass valve.

12 Disconnect the leads from the engine speed and anti-knock sensors.

13 Raise the front of the car and support it securely. As the engine/transmission will eventually be lowered to the floor, make sure that there is sufficient clearance under the front end for the assembly to be withdrawn. If the car is over an inspection pit, then the car need only be raised enough to lift the roadwheels from the floor.

14 Remove the front roadwheels.

15 Disconnect the transmission earth cable.

16 Working under the car, remove the engine shields from under the wheel arches.

17 Remove the engine oil cooler, and the intercooler.

18 Unscrew the fixing screws and disconnect the driveshafts from the flanges at the transmission final drive. The right-hand driveshaft will not release until the upper bolt on the suspension strut-to-hub carrier clamp

has been removed, and the hub assembly tilted downwards.

19 Disconnect the exhaust downpipe from the manifold, and then remove the front section of the exhaust system.

20 Disconnect the coolant return pipe from the turbocharger.

21 Disconnect the gearchange control rods from the transmission selector rod. Do this by unscrewing the self-locking nut from the bolt which connects the clevis fork.

22 Attach suitable lifting gear to the engine lifting eyes, and take the weight of the engine/transmission.

23 Disconnect the left-front, centre-rear and the right-hand engine/transmission mountings. Do this by removing the bolts from the diamond-shaped mounting plates there is no need to disturb the flexible mounting centre bolts.

24 Lower the engine/transmission to the floor and withdraw it from under the car.

25 Carry out the operations described in Chapter 1, Section 35, paragraphs 27 to 31.

Engine dismantling and reassembly

26 The operations are essentially as described for the 1301 cc engine in Chapter 1, but reference must be made to Sections 9 and 10 of this Chapter for the procedures for removing and refitting the components of the fuel injection, turbocharger and ignition systems.

Engine/transmission - reconnection and refitting

27 The operations are a reversal of those described in paragraphs 1 to 25, but otherwise the following (photo).

- Tighten all nuts and bolts to the specified torque.
- Use a new gasket at the exhaust downpipe-to-manifold flange.
- Check and adjust the clutch pedal travel.
- Refill the cooling system.
- Refill the engine and transmission with oil.
- Reconnect the battery, negative lead last.



6B.25 Oil cooler mounting bolts (arrowed)



6C.27 Filling the engine with oil



7A.11 Topping up the engine oil level - 1372 cc engine



7A.12A Engine sump drain plug - 1372 cc engine



7A.12B Engine oil filter removal using a strap wrench - 1372 cc engine

Initial start-up after major overhaul

28 Refer to Chapter 1, Section 45, but note that an oil pressure gauge is fitted to indicate oil pressure.

29 Check the ignition static timing as described in Section 10.

30 Check the engine idle speed and CO level as described in Section 9.

7 Engine - 1372 cc ie and 1372 cc Turbo ie

PART A: GENERAL

Description

1 The 1372 cc engine is similar in design to the OHC engine fitted to the FIAT Tipo variants. The engine is of four-cylinder, in-line, overhead camshaft type, mounted transversely at the front of the vehicle.

2 The crankshaft runs in five main bearings. Thrustwashers are fitted to the rear (flywheel end) main bearing in order to control crankshaft endfloat.

3 The connecting rods are attached to the crankshaft by horizontally split shell-type big-end bearings. The pistons are attached to the connecting rods by fully-floating gudgeon pins which are secured by circlips. The aluminium alloy pistons are fitted with three piston rings: two compression rings and an oil control ring.

4 The camshaft is driven by a toothed belt and operates the valves via bucket and shim type cam followers. The camshaft is located in a separate housing on top of the cylinder head.

5 The inlet and exhaust valves are each closed by double valve springs, and operate in guides pressed into the cylinder head.

6 The auxiliary shaft, which is also driven by the toothed belt, drives the oil pump.

7 Lubrication is by means of a gear type pump which draws oil through a strainer located in the sump, and forces it through a full-flow filter into the engine oil galleries from

where it is distributed to the crankshaft, camshaft and auxiliary shaft. The big-end bearings are supplied with oil via internal drillings in the crankshaft. The undersides of the pistons are cooled by oil spray nozzles located in each main bearing location in the crankcase.

8 A crankcase ventilation system is employed, whereby piston blow-by gases are drawn via an oil separator into the air cleaner, from where they are drawn into the inlet manifold and re-burnt with fresh air/fuel mixture.

9 The 1372 cc ie engine is fitted with a Bosch Mono-Jetronic single point fuel injection (SPI) system. Whilst the higher performance 1372 cc Turbo ie engine is fitted with a Bosch L3.1 (L3.2 from 1992) Jetronic multi-point injection (MPI) system and turbocharger with intercooler and oil cooling. The L3.2 system models are fitted with catalytic converters.

Maintenance

10 At the intervals specified in Section 3 or "Routine maintenance" at the beginning of this Manual, carry out the following tasks.

11 Check the engine oil level as follows. With the vehicle parked on level ground, and with the engine having been stopped for a few minutes, withdraw the oil level dipstick, wipe it on a clean rag, and re-insert it fully. Withdraw the dipstick again and read off the oil level relative to the MAX and MIN marks. The oil level should be between the marks. If the level is at or below the MIN mark, top up through the filler on the camshaft cover without delay (photo). The quantity of oil required to raise the level from MIN to MAX on the dipstick is approximately 1.0 litre (1.8 pints). Do not overfill.

12 Renew the engine oil and filter as described in Section 2 of Chapter 1 (photos).

13 Check and if necessary adjust the valve clearances as described in Part B of this Section.

14 Inspect the engine for signs of oil, coolant or fuel leaks and rectify as necessary.

15 Inspect the crankcase ventilation hose for blockage or damage. Clean or renew as necessary.

16 Check the condition and tension of the

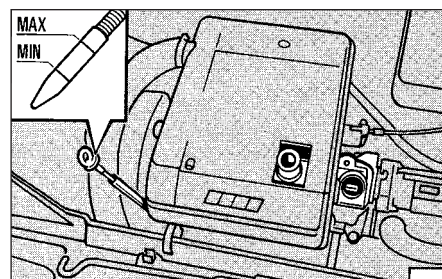


Fig. 13.15 Engine oil level dipstick location and level markings on the 1372 cc ie and Turbo ie engines (Sec 7A)

timing belt as described in Part B of this Section.

17 Renew the timing belt as described in Part B of this Section.

PART B: OPERATIONS POSSIBLE WITH ENGINE IN CAR

Valve clearances - checking and adjustment

1 It is important to ensure that the valve clearances are set correctly, as incorrect clearances will result in incorrect valve timing thus affecting engine performance.

2 The clearances must be checked and adjusted with the engine cold.

3 On the ie engine, refer to Section 9 in this Chapter for details and remove the air cleaner unit.

4 On the ie engine disconnect the crankcase ventilation hose from the injector unit and position the hose out of the way.

5 On Turbo ie engines, loosen off the clips and remove the air hose to the inlet manifold (above the camshaft cover).

6 On Turbo ie engines, disconnect the accelerator cable from the throttle housing and the support bracket on the camshaft cover.

7 Unscrew the securing nuts and washers and remove the camshaft cover, noting that on later models two of the nuts also secure the hose clip assembly. Recover the gasket.

8 Numbering from the front (timing belt) end of the engine, the exhaust valves are 1, 4, 5 and 8, and the inlet valves are 2, 3, 6 and 7.



7B.10 Measuring a valve clearance
(No 2 valve shown)

9 Turn the engine clockwise using a suitable socket on the crankshaft pulley bolt, until the exhaust valve of No 1 cylinder (valve No 1) is fully closed; ie the cam lobe is pointing directly upwards. Alternatively, the engine can be turned by jacking up one front corner of the vehicle and supporting it securely on an axle stand (apply the handbrake and chock the diagonally-opposite rear wheel before jacking), engaging top gear and turning the raised roadwheel in the forward direction of travel. In both cases, it will be easier to turn the engine if the spark plugs are removed, but if this is done, take care not to allow dirt or other foreign matter to enter the spark plug holes.

10 Insert a feeler gauge of the correct thickness between the cam follower shim and the heel of the No 1 cam lobe (photo). If necessary, increase or reduce the thickness of the feeler gauge until it is a firm sliding fit. Record the thickness of the feeler gauge, which will represent the valve clearance for this particular valve.

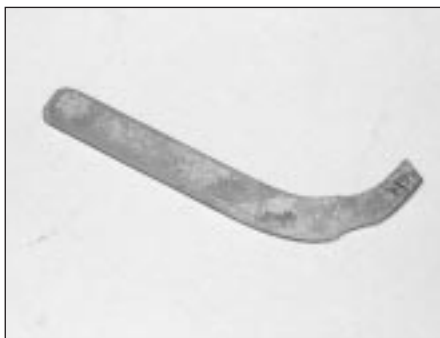
11 Turn the crankshaft, and repeat the procedure for the remaining valves, recording their respective clearances. Note that the clearance for inlet and exhaust valves differs.

12 If a clearance is incorrect, the relevant cam follower shim must be removed, and a thicker or thinner shim must be fitted to achieve the correct clearance. To remove a shim proceed as follows.

13 Turn the crankshaft until the relevant cam lobe is pointing directly upwards.

14 The cam follower must now be depressed in order to extract the shim. FIAT special tool No 1860642000 is available for this purpose, but alternatively a suitable tool can be improvised (photo). The tool should locate on the rim of the cam follower, leaving enough room for the shim to be prised out by means of the cut-outs provided in the cam follower rim. Depress the cam follower by turning the crankshaft as described previously until the relevant cam lobe is pointing directly downwards, then fit the tool between the camshaft and the edge of the cam follower to retain the cam follower in the depressed position.

15 Ensure that the tool is securely located, as



7B.14 Special tool for retaining cam follower in depressed position

there is a risk of personal injury if the tool is dislodged whilst the cam follower is depressed, then turn the crankshaft until the relevant cam lobe is pointing directly upwards, leaving sufficient room to extract the shim (photo). A pair of angle-nosed pliers will greatly ease removal of the shim.

16 Once the shim has been extracted, establish its thickness. The thickness in mm should be stamped into the face of the shim, although it is possible for wear to obliterate the number, in which case the use of a metric micrometer is the only way to accurately establish the thickness.

17 Refer to the clearance recorded for the valve concerned. If the clearance recorded was larger than that specified, a thicker shim must be fitted, and if the clearance recorded was smaller than that specified, a thinner shim must be fitted. The required thickness of shim can be calculated as follows.

Sample calculation - clearance too large:

Desired clearance (A)	0.40 mm
Measured clearance (B)	0.45 mm
Difference (B - A)	+ 0.05 mm
Original shim thickness	3.40 mm
Required shim thickness	$3.40 + 0.05 =$ 3.45 mm

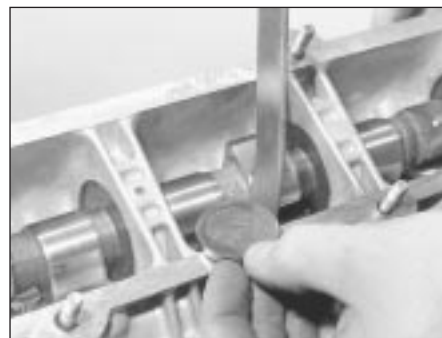
Sample calculation - clearance too small:

Desired clearance (A)	0.50 mm
Measured clearance (B)	0.35 mm
Difference (B - A)	0.15 mm
Original shim thickness	4.55 mm
Required shim thickness	$4.55 - 0.15 =$ 4.40 mm

18 Shims are available in thicknesses from 3.20 to 4.70 mm, in steps of 0.05 mm. Note that if several shims have to be changed, they can often be interchanged, thus avoiding the need to buy more new shims than are necessary.

19 The shims should be fitted to the cam followers with the stamped thickness marking against the face of the cam follower.

20 After fitting a shim, rotate the crankshaft as described previously until the relevant cam lobe is pointing directly downwards (resting on the shim), then carefully remove the tool used to retain the follower in the depressed position.



7B.15 Removing a shim from a cam follower

21 Re-check each relevant valve clearance after fitting the shim.

22 On completion, where applicable, lower the vehicle to the ground.

23 Refit the camshaft cover, using a new gasket.

24 On the ie engine, reconnect the hoses and refit the air cleaner unit.

25 On the Turbo ie engine, reconnect the air hose and the accelerator cable.

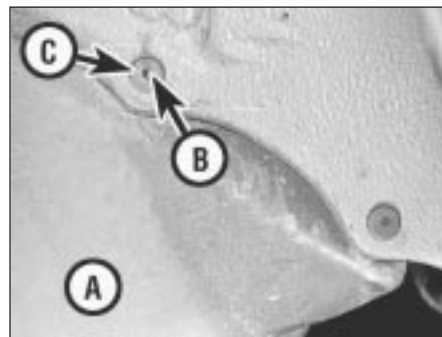
Timing belt tensioner and sprockets - removal and refitting



Note: The timing belt must be renewed after removal: never refit a used drivebelt. When fitting the new timing belt it will need to be correctly tensioned and to achieve this the manufacturers specify the use of special tools 1860745200 (18760745300 on Turbo model) and 1860745100. If these tools are not readily available, an approximate setting can be made, but in this instance it is strongly recommended that the car be taken to a FIAT dealer at the earliest opportunity to have the belt tension checked and correctly set using the recommended tools.

26 Loosen off the front right-hand side wheel bolts, then raise and support the car at the front end on axle stands. Remove the front right-hand roadwheel.

27 Remove the underwing shield from the right-hand wheel arch to allow access to the lower timing cover and alternator fixings (photo).



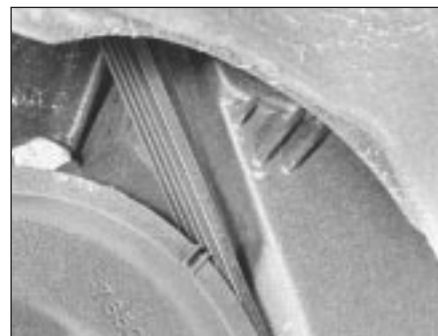
7B.27 Underwing shield (A) showing central compression pin (B) and retaining clip (C). Drive pin through clip to remove



7B.29 Slide back inspection cover in the timing case



7B.30A Camshaft sprocket timing notch aligned with timing (TDC) pointer in timing case



7B.30B Crankshaft pulley and timing cover timing marks

28 Loosen off the retaining clips and detach the air intake pipe from the air filter.

29 Slide back the inspection cover from the upper end of the timing cover (photo).

30 Turn the engine over by hand to bring the TDC timing marks of the flywheel-to-bellhousing and the camshaft sprocket-to-rear cover projection into alignment. The crankshaft pulley also has a TDC timing mark and this should be positioned as shown (photos).

31 Loosen off the retaining and adjustment strap fixings, then pivot the alternator towards the engine.

32 Unscrew the upper retaining bolts securing the timing cover.

33 Loosen off the nut securing the alternator and its drivebelt relay, then detach and remove the alternator drivebelt.

34 Unscrew and remove the crankshaft pulley nut. Where the engine is in the car, prevent the crankshaft from turning by engaging top gear and having an assistant apply the brake pedal hard. Unscrew and remove the flywheel housing lower cover bolts and remove the cover. The flywheel ring gear can now be jammed with a suitable lever or implement to prevent the crankshaft from rotating. It should be noted that the pulley nut is tightened to a considerable torque and a strong socket, together with an L-bar and extension tube, will therefore be required to loosen and remove it (photo). Take care not to

damage the gearbox/flywheel housing by jamming the flywheel at a weak point.

35 Withdraw the crankshaft pulley (photo).

36 Unscrew and remove the lower retaining bolts and remove the timing cover upwards from the vehicle.

37 Check that the previously mentioned timing marks are still in alignment. Loosen off the timing belt tensioner nut, then with the tension released, withdraw the timing belt from the sprockets.

38 To remove the drivebelt tensioner, undo the securing nut and withdraw the tensioner pulley unit noting that it is in three sections (photos).

39 If desired, the sprockets and the rear timing belt cover can be removed as follows, otherwise proceed to paragraph 49.

40 To remove the camshaft sprocket, a suitable tool must be used to hold the camshaft stationary as the sprocket bolt is loosened. A suitable tool can be improvised as shown in photo 7B.48 using two pieces of steel bar joined together by a pivot bolt, with suitable bolts through the ends of the steel bars to engage with the holes in the sprocket.

41 Unscrew the sprocket bolt, then recover the plain washer, and the thrust washer which is bonded into a plastic sleeve (photo).

42 The sprocket can now be withdrawn from the end of the camshaft using two screwdrivers, but take care not to damage the rear timing belt cover.

43 The crankshaft sprocket can be removed by simply pulling it from the end of the



7B.34 Crankshaft pulley nut removal



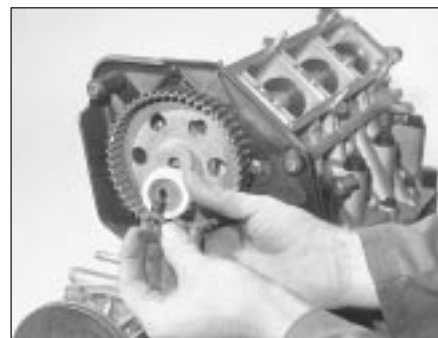
7B.35 Crankshaft pulley removal



7B.38A Timing belt tensioner removal



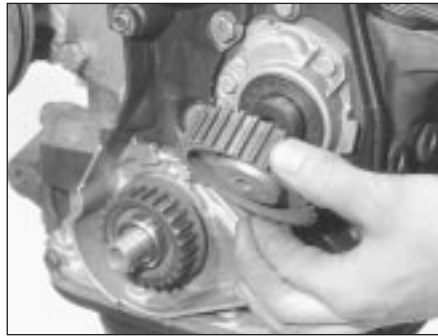
7B.38B The three sections of the timing belt tensioner



7B.41 Removing the crankshaft sprocket bolt, plain washer and thrust washer



7B.43 Remove the crankshaft Woodruff key if it is loose



7B.45 Withdrawing the auxiliary shaft sprocket



7B.46 Tightening the auxiliary shaft sprocket bolt

crankshaft after the pulley securing nut has been removed. Recover the Woodruff key from the end of the crankshaft if it is loose (photo).

44 To remove the auxiliary shaft sprocket, a suitable tool must be used to hold the sprocket stationary as the securing bolt is loosened (the bolt is extremely tight). In the workshop, a "scissors" style tool was improvised, using two pieces of steel bar joined together by a pivot bolt, with their ends bent through a right-angle to engage securely between the teeth on the sprocket - see photo 7B.46.

45 Unscrew the sprocket bolt, and recover the washer, then withdraw the sprocket from the end of the auxiliary shaft (photo). If the

sprocket is tight, carefully lever it from the shaft using two screwdrivers.

46 Refit the auxiliary shaft sprocket, making sure that the lug on the end of the shaft engages with the hole in the sprocket, then tighten the securing bolt to the specified torque (ensure that the washer is in place under the bolt head). Prevent the sprocket from turning as during removal (photo).

47 Where applicable, refit the Woodruff key to the end of the crankshaft, then refit the crankshaft sprocket with the flanged side against the oil seal housing (photo).

48 Refit the camshaft sprocket to the end of the camshaft, making sure that the lug on the end of the shaft engages with the hole in the sprocket, then refit the thrust washer, plain

washer, and bolt, and tighten the bolt to the specified torque. Prevent the camshaft from turning as during removal (photo).

49 Refit the belt tensioner pulley assembly, ensuring that the washer is in place under the securing nut, but do not fully tighten the nut at this stage.

50 Before refitting the new timing belt into position, first ensure that the crankshaft and camshaft sprocket timing marks are still aligned as described in paragraph 30 (photo).

51 If the new timing belt has two timing marks on its outer face they must align with the corresponding marks on the crankshaft and camshaft sprockets. Do not distort or bend the belt any more than is necessary during its fitting or its structural fibres may be damaged.

52 Refit the belt around the sprockets and the tensioner pulley, starting at the crankshaft sprocket. One of the timing index marks must align with the scribed mark on the lower edge of the crankshaft sprocket (opposite the Woodruff key) whilst the second mark must align with the timing marks of the camshaft and rear timing belt cover (photos).

53 With the belt fitted over the sprockets and correctly aligned, temporarily refit the crankshaft pulley nut (tightening it to its full torque wrench setting) and then adjust the timing belt tension.

Approximate setting

54 The timing belt tension can be checked approximately by twisting it between the



7B.47 Refitting the crankshaft sprocket



7B.48 Tightening the crankshaft sprocket bolt



7B.50 Crankshaft at TDC with key and timing mark aligned (arrowed)



7B.52A Timing belt refitted over the sprockets and tensioner



7B.52B Timing belt mark aligned with scribed mark on crankshaft sprocket (arrowed)

thumb and forefinger at the centre of the run between the auxiliary shaft sprocket and the camshaft sprocket. Using this method it should just be possible to twist the belt through 90° using moderate pressure.

55 To adjust the tension, loosen off the tensioner pulley nut then insert two rods (or screwdrivers) into position in the pulley holes and position a lever between them.

56 Gently lever the tensioner pulley in the required direction to set the tension as described, then initially tighten the pulley nut to lock the tensioner in the required position.

57 Remove the tools from the tensioner, recheck the tension and then tighten the tensioner pulley nut securely.

58 Rotate the crankshaft clockwise through two complete turns using a socket or spanner on the crankshaft pulley nut, then recheck the belt tension. To avoid the possibility of unscrewing the pulley nut, remove the spark plugs to enable the engine to be turned over easier.

59 If further adjustment is required, repeat the previously mentioned procedures. If in doubt, err on the slightly tight side when adjusting the tension. If the belt is set too loose, it may jump off the sprockets resulting in serious damage.

60 Remove the crankshaft pulley retaining nut, fit the timing belt cover, then refit and tighten the pulley nut to the specified torque setting.

61 Refit the remaining components in the reverse order of removal. Tighten the retaining nuts/bolts to the specified torque settings where given. Adjust the tension of the alternator drivebelt as described in Section 8.

Adjustment using FIAT special tools

62 Assemble the special tools and fit them to the belt tensioner pulley as shown in Fig. 13.16. When fitted, the tool rod must be as vertical as possible and it is important to note that no sliding weights must be attached to tool No. 1860745100.

63 Slacken the tensioner pulley nut, if not already done. Rotate the crankshaft clockwise through two complete turns using a socket or spanner on the crankshaft pulley nut. The special tool rod may move from the vertical as

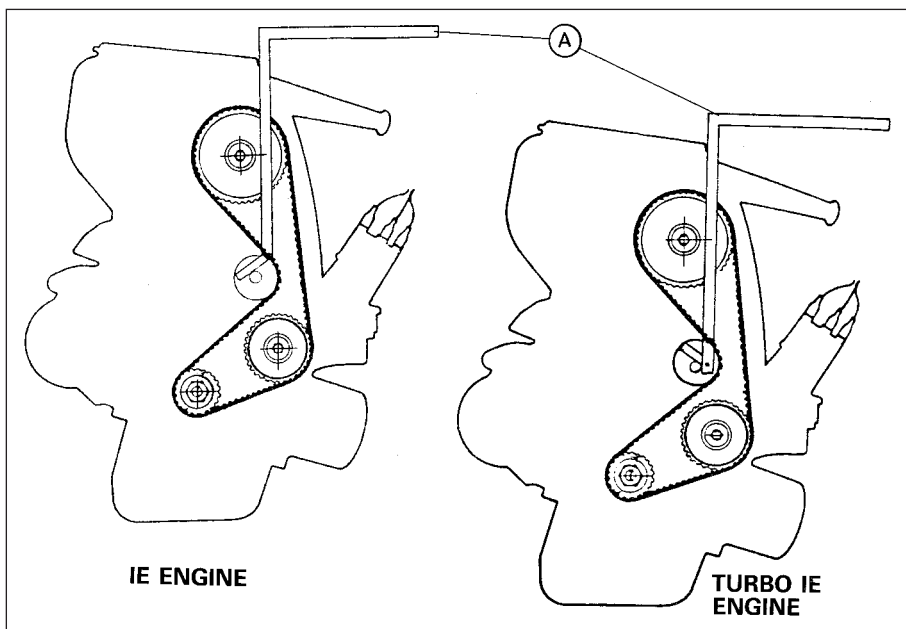


Fig. 13.16 FIAT special tool No. 1860745100 (A) for timing belt adjustment shown fitted to the tensioner pulley - 1372 cc ie and Turbo ie engines (Sec 7B)

Use with adapter No. 1860745200 on 1372 cc ie engines and No. 1860745300 on 1372 cc Turbo ie engines

the engine is turned over, in which case the joint will need to be re-adjusted to return the rod to the vertical and the operation repeated.

64 With the two revolutions of the crankshaft completed, tighten the belt tensioner pulley nut securely and remove the special tools.

65 Remove the crankshaft pulley retaining nut, fit the timing belt cover, then refit and tighten the pulley nut to its specified torque setting.

66 Refit the remaining components in the reverse order of removal. Tighten the retaining nuts/bolts to the specified torque settings where given. Adjust the tension of the alternator drivebelt as described in Section 8.

Camshaft front oil seal - renewal

67 The camshaft front oil seal may be renewed with the engine in the vehicle, and the camshaft *in situ*, as follows.

68 Remove the timing belt and the camshaft sprocket as described previously in this Section.

69 Punch or drill a small hole in the centre of the exposed oil seal. Screw in a self-tapping screw, and pull on the screw with pliers to extract the seal.

70 Clean the oil seal seat with a wooden or plastic scraper.

71 Lubricate the lips of the new seal with clean engine oil, and drive it into position until it is flush with the housing, using a suitable socket or tube. Take care not to damage the seal lips during fitting. Note that the seal lips should face inwards.

72 Refit the camshaft sprocket and the

timing belt as described previously in this Section.

Camshaft, housing and followers - removal and refitting

Note: The engine must be cold when removing the camshaft housing. Do not remove the camshaft housing from a hot engine. New camshaft housing and camshaft cover gaskets must be used on refitting.

73 If the engine is still in the vehicle, disconnect the battery negative lead.

74 Refer to paragraphs 3 to 7 in this part of this Section for details and remove the camshaft cover.

75 Remove the camshaft sprocket and timing belt as described previously in this Section.

76 Remove the three securing nuts and the single securing bolt, and withdraw the upper section of the rear timing belt cover.

77 Unscrew the camshaft housing securing bolts. There are seven bolts which are accessible from outside the camshaft housing, and five shorter bolts which are accessible from inside the housing (these bolts are normally covered by the camshaft cover). Note that each bolt is fitted with two washers (photo).

78 Carefully lift the camshaft housing from the cylinder head. Be prepared for the cam followers to drop from their bores in the camshaft housing as the camshaft housing is lifted, and ensure that the cam followers are identified for position so that they can be refitted in their original positions (this can be achieved by placing each cam follower over its relevant valve in the cylinder head).



7B.77 Removing one of the camshaft housing shorter securing bolts



7B.82 Locating a new camshaft housing gasket on the cylinder head



7B.84 Lowering the camshaft housing on to the cylinder head



7B.85 Tightening a camshaft housing securing bolt

79 Recover the gasket.

80 Removal of the camshaft from the housing, and inspection of the components is described in the following sub-Section.

81 Commence refitting by cleaning the gasket mating surfaces of the camshaft housing and cylinder head.

82 Locate a new gasket on the cylinder head, making sure that it is correctly positioned over the dowels (photo).

83 Ensure that the cam followers are correctly located over their relevant valves.

84 Liberally oil the cam follower bores in the camshaft housing, then carefully lower the housing over the cam followers, and onto the cylinder head (photo). Some manipulation will be required to engage the cam followers with their relevant bores in the camshaft housing.

85 Loosely refit all the camshaft housing securing bolts, ensuring that the washers are in place under their heads, then tighten them progressively to the specified torque, starting at the centre of the housing and working outwards in a spiral pattern (photo).

86 Refit the upper section of the rear timing belt cover.

87 Refit the camshaft sprocket and the timing belt as described previously in this Section.

88 Check the valve clearances as described earlier in this Section.

89 Refit the camshaft cover using a new gasket, and tighten the securing nuts, ensuring that the washers are in place (photos). Where applicable, ensure that the hose clip is in place before refitting the

relevant camshaft cover securing nuts.

90 The remainder of the refitting procedure is a reversal of that given for removal.

Camshaft, housing and followers - dismantling, inspection and reassembly

91 With the camshaft housing removed from the cylinder head as previously described proceed as follows.

92 Unscrew the three securing bolts, and withdraw the blanking plate from the end of the camshaft housing. Recover the gasket.

93 The camshaft can now be carefully withdrawn from the blanking plate/distributor end of the camshaft housing, taking care not to damage the bearing journals (photo).

94 With the camshaft removed, examine the bearings in the camshaft housing, and the cam follower bores for signs of obvious wear or pitting. If evident, a new camshaft housing will probably be required.

95 The camshaft itself should show no signs of marks or scoring on the journal or cam lobe surfaces. If evident, renew the camshaft.

96 Examine the cam followers for signs of obvious wear, and for ovality, and renew if necessary.

97 It is advisable to renew the camshaft front oil seal as a matter of course if the camshaft has been removed. Prise out the old seal using a screwdriver, and drive in the new seal until it is flush with the housing, using a suitable socket or tube (photos).



7B.89A Locate a new gasket on the camshaft housing . . .



7B.89B . . . and refit the camshaft cover



7B.93 Withdrawing the camshaft from its housing



7B.97A Prising out the camshaft front oil seal



7B.97B Inserting the new camshaft front oil seal



7B.119 Locating a new cylinder head gasket on the cylinder block (engine shown on dismantling stand)



7B.120A Lower the cylinder head onto the block . . .



7B.120B . . . and engage the positioning dowels in their holes

- 98 Commence reassembly by liberally oiling the bearings in the housing, and the oil seal lip.
- 99 Carefully insert the camshaft into the housing from the blanking plate/distributor end, taking care to avoid damage to the bearings.
- 100 Refit the blanking plate using a new gasket.
- 101 Refit the camshaft housing as described previously in this Section.

Cylinder head (1372 cc ie engine) - removal and refitting



Note: The following instructions describe cylinder head removal and refitting leaving the camshaft, manifolds and associated items in situ in the head. If required, these items can be removed separately. When removing the cylinder head the engine must be cold - do not remove the head from a hot engine. A new cylinder head gasket and any associated gaskets must be used during reassembly. FIAT specify that the main cylinder head bolts should be renewed after they have been used (ie tightened) four times. If in any doubt as to the number of times that they have been used renew them as a precaution against possible failure.



Warning: Refer to the beginning of Section 9 before starting any work.

- 102 Depressurise the fuel supply system as described in Section 9 of this Chapter.
- 103 Disconnect the battery negative lead.
- 104 Drain the engine coolant as described in Section 8.
- 105 Remove the air cleaner unit as described in Section 9.
- 106 Remove the timing belt as described previously in this Section.

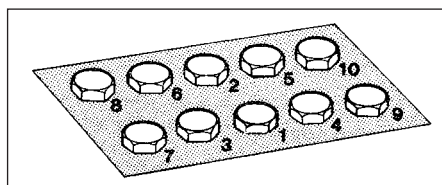


Fig. 13.17 Cylinder head bolt tightening sequence on the 1372 cc ie and Turbo ie engines (Sec 7B)

- 107 Disconnect the crankcase ventilation hose from the cylinder head and the SPI injector unit.
- 108 Disconnect the accelerator cable at the engine end.
- 109 Detach the engine idle speed check actuator lead, the inlet manifold vacuum sensor lead, the coolant temperature sensor lead, the injector supply lead, the throttle position switch lead and the distributor cap (with HT leads). Position them out of the way.
- 110 Disconnect the brake servo hose from the manifold.
- 111 Disconnect the coolant hoses from the thermostat and the inlet manifold.
- 112 Slowly release the fuel supply and return hose retaining clips and detach the hoses from the injector unit housing and connections. Catch any fuel spillage in a clean cloth and plug the hoses to prevent the ingress of dirt and further fuel loss.
- 113 Unbolt and detach the exhaust downpipe from the manifold.
- 114 Loosen off the cylinder head retaining bolts in a progressive manner, reversing the sequence shown in Fig. 13.17. When all of the bolts are loosened off, extract them and collect the washers.
- 115 Check that all fittings and associated attachments are clear of the cylinder head, then carefully lift the head from the cylinder block. If necessary tap the head lightly with a soft-faced mallet to free it from the block, but do not lever it free between the joint faces. Note that the cylinder head is located on dowels.



7B.121A Tighten main cylinder head bolts to specified torque . . .

- 116 Recover the old cylinder head gasket and discard it.
- 117 Clean the cylinder head and block mating surfaces by careful scraping. Take care not to damage the cylinder head - it is manufactured in light alloy and is easily scored. Cover the coolant passages and other openings to prevent dirt and carbon from falling into them. Mop out all the oil from the cylinder head bolt holes - if oil is left in them, hydraulic pressure, caused when the bolts are refitted, could cause the block to crack.
- 118 If required the cylinder head can be dismantled and overhauled as described in paragraphs 129 to 131 of this Section.
- 119 The new gasket must be removed from its protective packing just before it is fitted. Do not allow any oil or grease to come into contact with the gasket. Commence refitting the cylinder head by locating the new gasket on the cylinder block so that the word "ALTO" is facing up (photo).
- 120 With the mating faces scrupulously clean, refit the cylinder head into position and engage it over the dowels. Refer to the note at the beginning of this part of the Section, then refit the ten main cylinder head bolts and washers. Screw each bolt in as far as possible by hand to start with. Do not fit the smaller (M8 x 1.25) bolts at this stage (photos).
- 121 The bolts must now be tightened in stages and in the sequence shown in Fig. 13.17. Refer to the specified torque wrench settings and tighten all bolts to the Stage 1 torque, then using a suitable angle gauge, tighten them to the second stage, then the third stage (photos).
- 122 With the main cylinder head bolts fully



7B.121B . . . and then through the specified angle



7B.122 Tighten the smaller cylinder head bolts to their specified torque setting

tightened, refit the five smaller (M8 x 1.25) bolts adjacent to the line of the spark plug holes and tighten them to their specified torque wrench setting (photo).

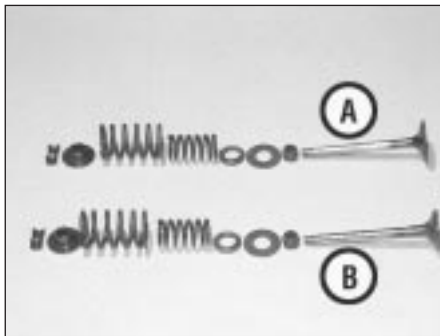
123 Reconnect the associated fittings to the cylinder head in the reverse order of removal. Ensure that the mating faces of the exhaust manifold-to-downpipe are clean and fit a new gasket when reconnecting.

124 Ensure that all wiring connections are cleanly and securely made.

125 Top up the engine oil and coolant levels as required on completion.

Cylinder head (1372 cc Turbo ie engine) - removal and refitting *⚙️*

126 Proceed as described in paragraphs 102 to 125 above for the non-Turbo model, but note the following differences.



7B.130A Inlet (A) and exhaust (B) valves and associate components - 1372 cc engine

127 The cylinder head cannot be removed and refitted with the manifolds and turbocharger fitted. It is therefore first necessary to detach and remove the inlet manifold, then the turbocharger and the exhaust manifold as described in Section 9.

128 The ignition distributor is mounted on the side of the engine, not the rear end of the cylinder head as on the "ie" engine. It is therefore only necessary to disconnect the HT leads from the spark plugs.

Cylinder head - inspection and renovation *⚙️*

Note: Refer to a dealer for advice before attempting to carry out valve grinding or seat recutting operations. These operations may not be possible for the DIY mechanic due to the fitment of hardened valve seats for use with unleaded petrol.



7B.130B Valve assembly - 1372 cc engine; insert valve into guide . . .

129 Use a straight-edge to check the cylinder head gasket surface for distortion. If it exceeds the specified tolerance, it must be resurfaced by a FIAT dealer or automotive engineer.

130 Refer to Section 39 in Chapter 1 for the general details on dismantling and renovating operations on the cylinder head but note that there is a spring seat and a flat washer fitted between the cylinder head and the valve springs (photos).

Crankshaft front oil seal - removal and renewal *⚙️*

131 Remove the timing belt as described earlier in this Section. Note that as mentioned previously, the timing belt will need to be renewed during reassembly.

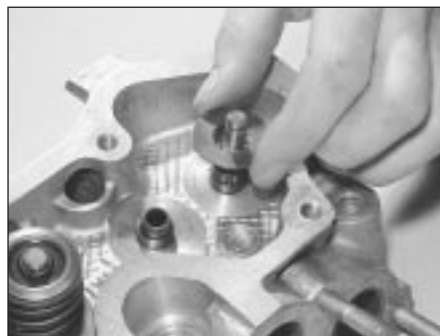
132 Referring to Fig. 13.18, loosen off the bolt indicated from the timing belt rear cover.



7B.130C . . . locate stem oil seal . . .



7B.130D . . . and drive it into position



7B.130E Refit the flat washer . . .



7B130F . . . locate the spring seat . . .



7B.130G . . . the inner spring . . .



7B.130H . . . the outer spring . . .



7B.130I . . . and cap



7B.130J Compress spring and refit the split collets



Fig. 13.18 Timing belt rear cover bolt (arrowed) - 1372 cc ie and Turbo ie engines (Sec 7B)

133 Drain the engine oil from the sump into a suitable container. Disconnect the lead from the engine oil level sensor in the sump.

134 Where applicable, unscrew and remove the bolts retaining the gear linkage mounting bracket and the clutch housing lower cover bolts. Remove the cover from the clutch housing.

135 Unscrew the sump retaining nuts and bolts, then lower and remove the sump.

136 Unscrew the timing belt rear cover retaining bolts.

137 Move the timing belt rear cover towards the front of the car to gain access to the retaining bolt and then unscrew and remove the three oil seal housing retaining bolts. Remove the crankshaft front oil seal housing.

138 Note the orientation of the seal in its housing prior to its removal. Support the underside of the housing and carefully drive the old oil seal from the housing using a punch or a tubular drift of suitable diameter. An alternative method is to punch or drill a small hole in the face of the oil seal (but take care not to drill into the housing) and insert a self-tapping screw into the seal. Withdraw the seal by gripping the screw with pliers and pulling the seal from the housing. If necessary, fit a second screw into the seal on the opposite side to provide an even pull.

139 Clean the mating faces of the housing and the front of the crankcase using a suitable scraper.

140 Drive or press the new seal into position

in the housing in the reverse order of removal, but ensure that it is correctly orientated as noted during removal (photo).

141 Refit the oil seal housing with a new gasket and tighten the retaining bolts to the specified torque setting (photos).

142 Refit the sump as described later in this Section using a new gasket. Tighten its retaining nuts and bolts to the specified torque. Refit the clutch cover and the gear linkage mounting bracket.

143 Fit the new timing belt, adjust its tension and refit the crankshaft pulley as described earlier in this Section.

144 Reconnect the remaining components that were detached during removal in the reverse order and top up the engine oil level to complete.

Crankshaft rear oil seal - removal and renewal

145 If the engine is still in the car, disconnect the battery negative lead.

146 Remove the flywheel as described in the next sub-Section.

147 Punch or drill a small hole in the rear face of the rear oil seal (but take care not to drill into the housing) and insert a self-tapping screw into the seal. Withdraw the seal by gripping the screw with pliers and pulling it from the housing. If necessary, fit a second screw into the seal on the opposite side to provide an even pull.

148 Clean the seal housing, then locate the



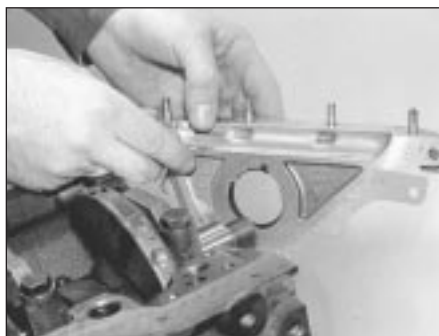
Fig. 13.19 Unscrew the bolts at the points indicated to release the gear linkage mounting bracket - 1372 cc ie and Turbo ie engines (Sec 7B)



Fig. 13.20 Removing the timing belt rear cover on the 1372 ie and Turbo ie engines (Sec 7B)



7B.140 Driving a new crankshaft front oil seal into its housing



7B.141A Refit the crankshaft front oil seal housing . . .



7B.141B . . . ensuring it is flush with the face of the cylinder block



7B.158A Locate the flywheel, washer plate and bolts . . .



7B.158B . . . tighten the bolts to the specified torque



7B.165 Apply sealant to the front oil seal housing/cylinder block joint

new oil seal, ensuring that it is correctly orientated, and drive it squarely into position.

149 Refit all disturbed components.

Flywheel - removal, inspection and refitting 

150 If not already done, remove the clutch as described in Chapter 5.

151 Prevent the flywheel from turning by jamming the ring gear teeth, or by bolting a strap between the flywheel and the cylinder block.

152 Make alignment marks on the flywheel and the end of the crankshaft, so that the flywheel can be refitted in its original position.

153 Unscrew the securing bolts and remove the washer plate, then withdraw the flywheel. Do not drop it, it is very heavy.

154 With the flywheel removed, the ring gear can be examined for wear and damage.

155 If the ring gear is badly worn or has missing teeth it should be renewed. The old ring gear can be removed from the flywheel by cutting a notch between two teeth with a hacksaw and then splitting it with a cold chisel. Wear eye protection when doing this.

156 Fitting of a new ring gear requires heating the ring to a temperature of 80°C (176°F). Do not overheat, or the hard-wearing properties will be lost. The gear has a chamfered inner edge which should fit against the shoulder on the flywheel. When hot enough, place the gear in position quickly, tapping it home if

necessary, and let it cool naturally without quenching in any way.

157 Ensure that the mating faces are clean, then locate the flywheel on the rear of the crankshaft, aligning the previously made marks on the flywheel and crankshaft.

158 Fit the washer plate, and insert the securing bolts, then prevent the flywheel from turning as described in paragraph 151 whilst the bolts are tightened progressively to the specified torque setting in a diagonal sequence (photos).

159 If applicable, refit the clutch as described in Chapter 5.

Sump - removal and refitting 

160 Drain the engine oil from the sump as described in Chapter 1.

161 Disconnect the lead from the engine oil level sensor in the sump.

162 Unscrew and remove the bolts retaining the gear linkage mounting bracket (where applicable) and the clutch housing lower cover bolts. Remove the cover from the clutch housing.

163 Unscrew and remove the sump retaining bolts and nuts and lower the sump from the crankcase. Recover the gasket.

164 Clean all traces of old gasket from the sump, crankcase and both oil seal housing mating surfaces.

165 Commence reassembly by applying sealing compound (FIAT No. 5882442 or

equivalent) to the joints between the crankshaft front and rear oil seal housings and the mating face of the crankcase (photo).

166 Locate the new gasket in position on the crankcase then fit the sump. As it is fitted it will need to be twisted to avoid fouling the oil pump unit. Refit the retaining bolts and nuts and tighten them to the specified torque (photos).

167 Check that the sump drain plug is refitted and fully tightened. If the engine is in the car, top up the engine oil level.

Oil pump - removal, checking and refitting 

168 Drain the engine oil and remove the sump as described in the previous sub-Section.

169 Unscrew the retaining bolts then withdraw the oil pump and intake pipe/filter from its location within the crankcase. Remove the gasket.

170 If oil pump wear is suspected, first check the cost and availability of new parts and the cost of a new pump. Then examine the pump as described below and decide whether renewal or repair is the best course of action.

171 Unscrew the three securing bolts and remove the oil pump cover (photo). Note that as the cover is removed, the oil pressure relief valve components will be released.

172 Recover the oil pressure relief valve, spring and spring seat.



7B.166A Locate the new gasket . . .



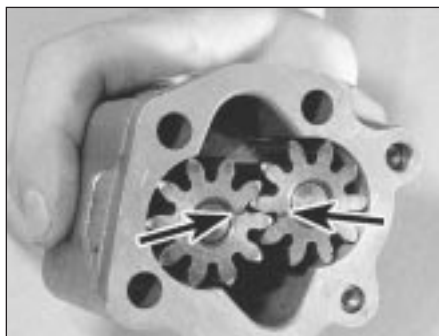
7B.166B . . . refit the sump . . .



7B.166C . . . and insert the retaining bolts



7B.171 Undo the oil pump cover bolts



7B.175 Correct alignment of scribed marks (arrowed) on gears



7B.176 Check gear-to-body clearance

173 Lift the intermediate plate from the oil pump body.

174 The gears can now be removed from the oil pump body. Inspect them for obvious signs of wear or damage, and renew if necessary.

175 Commence reassembly by lubricating the gears with clean engine oil, and refitting them to the casing. Note that the scribed marks on the top faces of the gears should face each other with the gears installed (photo).

176 Using a feeler gauge, check that the clearance between the gears and the pump body is within the limits given in the Specifications (photo).

177 Using a straight-edge placed across the top of the pump body and the gears, and a feeler gauge, check that the gear endfloat is within the limits given in the Specifications (photo).

178 If either the gear-to-body clearance, or the gear endfloat is outside the specified limits, both gears should be renewed.

179 Locate the intermediate plate on the pump body (photo).

180 Place the pressure relief valve and spring over the pressure relief hole in the intermediate plate, and locate the spring seat over the boss in the pump cover, then refit the pump cover, ensuring that the pressure relief valve components seat correctly (photos).

181 Refit and tighten the pump cover securing bolts.

182 Thoroughly clean the mating faces of the

pump and crankcase before refitting the pump. Prime the pump by injecting clean engine oil into it and turning it by hand.

183 Fit the pump using a new gasket, then insert the securing bolts and tighten them.

184 Refit the sump and top up the engine oil level.

Pistons/connecting rods - removal and refitting

185 Remove the sump and the cylinder head as described previously in this Section.

186 The big-end caps and connecting rods normally have identification marks stamped into their sides, facing the coolant pump side of the cylinder block. If no marks are present, use a centre-punch to identify the bearing caps and the connecting rods for location.

187 Turn the crankshaft so that No. 1 crankpin is at its lowest point, then unscrew the nuts and tap off the bearing cap. Keep the bearing shells in the cap and the connecting rod if they are to be re-used, taping them in position if necessary to avoid loss.

188 Using the handle of a hammer, push the piston and connecting rod up the bore and withdraw it from the top of the cylinder block. Loosely refit the cap to the connecting rod.

189 Repeat the procedure given in paragraphs 187 and 188 on No. 4 piston and connecting rod, then turn the crankshaft through half a turn and repeat the procedure on Nos 2 and 3 pistons and connecting rods.

190 The pistons and connecting rods and the big-end bearings can be examined and if



7B.177 Checking the gear endfloat



7B.179 Refitting the intermediate plate



7B.180A Locate pressure relief valve and spring on the intermediate plate



7B.180B Locate spring seat over boss within pump cover . . .



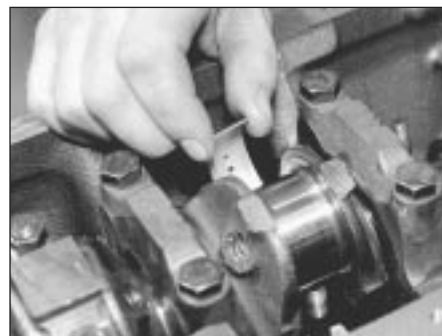
7B.180C . . . then fit the cover



7B.194A Fitting a ring compressor to a piston



7B.194B Tapping a piston into its bore



7B.195 Assemble the shell bearing to the connecting rod . . .

necessary renovated as described later in this Section.

191 Commence refitting as follows.

192 Clean the backs of the bearing shells and the recesses in the connecting rods and big-end caps.

193 Lubricate the cylinder bores with engine oil.

194 Fit a ring compressor to No. 1 piston, then

insert the piston and connecting rod into No. 1 cylinder. With No 1 crankpin at its lowest point, drive the piston carefully into the cylinder with the wooden handle of a hammer (photos). Leave enough space between the connecting rod and the crankshaft to allow the bearing shell to be fitted. The piston must be fitted with the cut-out in the piston crown on the auxiliary shaft side of the engine, and the cylinder identification marking on the connecting rod and big-end cap on the coolant pump side of the engine - see Fig. 13.21.

195 Slide the appropriate bearing shell into position in the connecting rod big-end, then pull the connecting rod firmly into position on the crankpin (photo).

196 Press the appropriate bearing shell into position in the big-end cap (photo).

197 Oil the crankpin, then fit the big-end bearing cap with the cylinder identification marking on the coolant pump side of the engine, and tighten the nuts to the specified torque setting (photos).

198 Check that the crankshaft turns freely.

199 Repeat the procedure in paragraphs 194 to 198 inclusive on the remaining pistons.

200 Refit the cylinder head and the sump.

described for the smaller engines in Section 18 of Chapter 1. However, the following additional points should be noted.

202 When renewing a gudgeon pin, first check the fit in the piston. It should be possible to fit the gudgeon pin using hand pressure, but the pin should be a tight enough fit that it does not drop out under its own weight. Oversize gudgeon pins are available as spares if necessary. Use new circlips when refitting the pistons to the connecting rods.

203 Before fitting the pistons to their connecting rods, weigh each piston and check that their weights are all within 2.5 g of each other. If not, the heavier pistons must be lightened by machining metal from the underside of the small-end bosses. This operation must be entrusted to a FIAT dealer or engine reconditioning specialist.

204 The pistons should be fitted to the connecting rods so that the higher, flat side of the piston crown is on the side of the connecting rod with the stamped cylinder identification number, ie the gudgeon pin is offset towards the cylinder identification number see Fig. 13.21.

205 The piston rings should be fitted with the word "TOP" on each ring facing uppermost, or if no marks are visible, as noted during removal. If a stepped top compression ring is being fitted, fit the ring with the smaller diameter of the step uppermost. The ring end gaps should be offset 120° from each other. Use two or three old feeler gauges to assist

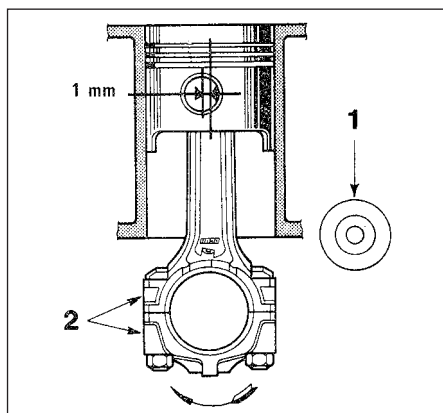


Fig. 13.21 Correct orientation of piston and connecting rod in engine - 1372 cc ie and Turbo ie engines (Sec 7B)

1 Auxiliary shaft

2 Cylinder identification markings on connecting rod and big-end cap

Arrow denotes direction of engine rotation

Note offset gudgeon pin

Pistons/connecting rods - examination and renovation



201 The procedures for inspecting and renovating the pistons and connecting rod assemblies are in general the same as that



7B.196 . . . and big-end bearing cap . . .



7B.197A . . . then fit the cap . . .



7B.197B . . . and tighten the nuts to the specified torque

fitting, as during removal. Note that the compression rings are brittle, and will snap if expanded too far.

206 If new pistons are to be fitted, they must be selected from the grades available, after measuring the cylinder bores. Normally, the appropriate oversize pistons are supplied by the dealer when the block is rebored.

207 Whenever new piston rings are being installed, the glaze on the original cylinder bores should be removed using either abrasive paper or a glaze-removing tool in an electric drill. If abrasive paper is used, use strokes at 60° to the bore centre-line, to create a cross-hatching effect.

Engine/transmission mountings - renewal



208 The engine/gearbox assembly is suspended in the engine compartment on three mountings, two of which are attached to the gearbox, and one to the engine.

Right-hand mounting

209 Apply the handbrake, then jack up the front of the vehicle and support it securely on axle stands.

210 Suitable lifting tackle must now be attached to the engine in order to support it as the engine mounting is removed. No lifting brackets are provided, so care must be taken when deciding on an engine lifting point. In the workshop, a right-angled bracket was made up by bending a suitable piece of steel plate. The bracket was then bolted to the engine using the rear right-hand camshaft housing securing bolt with suitable packing washers.

211 Attach the lifting tackle to the bracket on the engine and just take the weight of the assembly.

212 Working under the vehicle, unbolt the engine mounting bracket from the cylinder block, and unbolt the mounting from the body, then withdraw the bracket/mounting assembly.

213 Unscrew the nut and through-bolt, counter holding the bolt with a second spanner or socket, and separate the mounting from the bracket.

214 Fit the new mounting to the bracket, and tighten the nut to the specified torque, while counterholding the through-bolt using a suitable spanner or socket.

215 Refit the mounting bracket to the cylinder block, and tighten the securing bolts to the specified torque.

216 Refit the mounting to the body and tighten the securing bolts to the specified torque.

217 Disconnect the lifting tackle from the engine, and remove the engine lifting bracket.

218 Lower the vehicle to the ground.

Left-hand mountings

219 Apply the handbrake, then jack up the front of the vehicle and support it securely on axle stands.

220 Suitable lifting tackle must now be attached to the gearbox lifting bracket in

order to support the weight of the assembly as the mounting is removed.

221 Attach the lifting tackle to the bracket on the gearbox, and just take the weight of the assembly.

222 Working under the vehicle, unbolt the mounting bracket from the gearbox, and unbolt the mounting from the body, then withdraw the bracket/mounting assembly.

223 Proceed as described in paragraphs 213 and 214.

224 Refit the mounting bracket to the gearbox, and tighten the securing bolts to the specified torque.

225 Refit the mounting to the body and tighten the mounting bolts to the specified torque.

226 Disconnect the lifting tackle from the engine.

227 Lower the vehicle to the ground.

PART C: ENGINE REMOVAL AND DISMANTLING

Method of removal - general

1 The engine (complete with transmission) is disconnected and lowered downwards through the engine compartment, then withdrawn from the front underside of the car.

1372 cc engine/transmission - removal and separation



Warning: Refer to the beginning of Section 9 before starting any work.

2 Depressurize the fuel system as described in Section 9 of this Chapter.

3 Disconnect the battery negative lead.

4 Mark the position of the hinges on the underside of the bonnet, then with the aid of an assistant, unscrew the hinge bolts and lift the bonnet clear of the car. Store the bonnet in a safe area.

5 Drain the engine coolant.

6 Drain the engine and transmission oils.

7 Disconnect and remove the air filter.

8 Disconnect the coolant hoses from the engine, including the hose to the inlet manifold.

9 Detach the ignition coil (HT) lead from the distributor.



7C.14 Reversing light switch and lead



7C.10 Engine idle speed actuator/SPI unit lead connection (arrowed)

10 Compress the retaining clip and detach the engine idle speed actuator lead from the SPI unit (photo).

11 Disconnect the brake servo vacuum pipe from its connector on the inlet manifold.

12 Disconnect the throttle cable from the SPI unit.

13 Disconnect the engine speed sensor lead.

14 Release and detach the reversing light lead from the switch on the transmission (photo).

15 Before disconnecting the hydraulic hose from the clutch slave cylinder, remove the filler cap from the reservoir and place a piece of polythene sheet over the filler neck, then refit the cap; this will help prevent excess fluid loss. Once disconnected, plug the hose and its cylinder connection to prevent the ingress of dirt into the hydraulic system.

16 Disconnect the wiring connector from the alternator.

17 Position a clean rag under the fuel supply and return hose connections to the SPI unit, then slowly unscrew the hose clips to release the system pressure; catch fuel leakage in the rag and dispose of it safely. Detach the hoses and plug them to prevent ingress of dirt and any further fuel leakage. Position the hoses out of the way.

18 Detach the wiring connector from the engine coolant temperature sender unit (photo).

19 Release the retaining clip and detach the wiring connector from the throttle position switch. Also detach the associated earth leads from the cylinder head.



7C.18 Engine coolant temperature sender and wiring connector



7C.20 Fuel injector wiring connection



7C.32 Disconnecting the speedometer drive cable from the transmission



7C.33 Disconnect the transmission earth strap



7C.36A Engine right-hand mounting



7C.36B Transmission rear mounting

20 Release the retaining clip and detach the wiring connector from the fuel injector connection (photo).

21 Loosen off the front wheel bolts each side, then raise and support the car at the front end on axle stands. When raised, support at a height which will allow the engine and transmission to be withdrawn from the underside when fully disconnected. Ensure that the vehicle is securely supported before working underneath it.

22 Unscrew the wheel bolts and remove the front roadwheels.

23 Release the retaining clips and remove the underwing shield from the right- and left-hand front wheel arch.

24 Relieve the staking, then unscrew and remove the front hub nut using a socket and suitable extension. Repeat the procedure on the opposite front hub.

25 Unscrew the retaining nut and disconnect the tie-rod to steering arm balljoint using a suitable balljoint separator tool. Repeat the procedure on the other side.

26 Note the direction of fitting, then unscrew and remove the hub-to-strut retaining bolts and nuts on each side.

27 Unscrew and remove the anti-roll bar-to-track control arm retaining nuts each side.

28 Unscrew and remove the front brake caliper hydraulic pipe support bracket bolt each side.

29 Pull the wheel hub outwards and detach the driveshaft from it, noting that there may be a small amount of oil spillage as it is withdrawn. Repeat the procedure on the opposite side.

30 Disconnect the wiring connector from the engine oil level sensor lead.

31 Unscrew the retaining nuts to detach and remove the exhaust pipe front section or alternatively, remove the system complete.

32 Unscrew the knurled retaining nut and detach the speedometer cable from the transmission (photo).

33 Unscrew the retaining nut and detach the earth strap from the transmission (photo).

34 Extract the split pin and detach the gear selector rod from the transmission pin. Disconnect the gear engagement and selector levers from the balljoints.

35 The weight of the engine will now need to be supported from above. Connect a suitable lift hoist and sling to the engine. When securely connected, take the weight of the engine/transmission unit so that the tension is relieved from the mountings.

36 Unscrew and remove the engine and transmission support mounting bolts at the points indicated (photos).

37 The engine/transmission unit should now be ready for removal from the vehicle. Check that all of the associated connections and



Fig. 13.22 The underwing shield retaining clips (arrowed) on the 1372 cc ie and Turbo ie engines (Sec 7C)



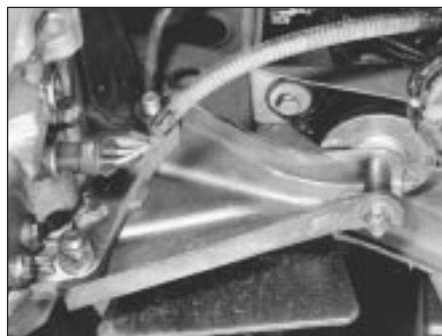
Fig. 13.23 Engine oil level sensor wiring connector (arrowed) on the 1372 cc ie and Turbo ie engines (Sec 7C)



Fig. 13.24 Disconnect the gear selector rod at the connection indicated on the 1372 cc ie and Turbo ie engines (Sec 7C)



Fig. 13.25 Gear engagement and selector lever balljoints (arrowed) on the 1372 cc ie and Turbo ie engines (Sec 7C)



7C.36C Transmission front mounting



7C.53 Driving a new oil seal into the auxiliary shaft cover



7C.54 Inserting the auxiliary shaft into the cylinder block (rear timing belt cover removed)

fittings are disconnected from the engine and transmission and positioned out of the way. Enlist the aid of an assistant to help steady and guide the power unit down through the engine compartment as it is removed. If available, position a suitable engine trolley or crawler board under the engine/transmission so that when lowered, the power unit can be withdrawn from the front end of the vehicle and moved to the area where it is to be cleaned and dismantled.

38 Carefully lower the engine and transmission unit, ensuring that no fittings become snagged. Detach the hoist and withdraw the power unit from under the vehicle.

39 To separate the engine from the transmission, unbolt and remove the starter motor, then unscrew the retaining bolts and withdraw the transmission from the engine. As it is withdrawn, do not allow the weight of the engine or transmission to be taken by the input shaft.

40 To remove the clutch unit, refer to Chapter 5 for details.

1372 cc Turbo ie engine/transmission - removal and separation

41 The engine and transmission removal and refitting details for Turbo-engined models are similar to those described for the non-Turbo models in the previous sub-Section, but the following differences should be noted.

42 To provide access for the disconnection of the turbo and related components, first remove the inlet manifold. Removal of the inlet manifold and the turbocharger is described in Section 9 of this Chapter.

43 The ignition distributor on the Turbo engine is driven from the auxiliary shaft and is mounted at the front of the engine, towards the timing cover end.

44 The right-hand driveshaft has a steady bearing and this will need to be unbolted and detached.

Engine dismantling - general

45 Refer to Chapter 1, Section 14 for details.

Auxiliary shaft - removal, inspection and refitting

46 Remove the engine and transmission from the vehicle as described previously in this Section part.

47 Drain the engine oil and remove the sump as described in Part B of this Section.

48 Remove the oil pump as described in Part B of this Section.

49 Remove the timing belt and the auxiliary shaft sprocket as described in Part B of this Section.

50 Unscrew the three retaining bolts and remove the auxiliary shaft cover. Remove the gasket.

51 Withdraw the auxiliary shaft from the cylinder block.

52 Examine the shaft and its bearing bushes in the cylinder block for signs of excessive wear and/or damage and renew it if necessary. Bush renewal is described in paragraph 79 in this Section.

53 The cover gasket and the oil seal should always be renewed whenever the cover is removed. To renew the seal, support the cover on blocks of wood and drive out the old seal using a suitable drift inserted in the cut-out in the back of the cover. Clean the seal location in the housing. Drive the new seal into place using a suitable metal tube or socket (photo). The sealing lip must face towards the cylinder block. Smear the sealing lips with clean engine oil before installation.

54 Commence refitting by lubricating the

auxiliary shaft journals with clean engine oil, then insert the shaft into the cylinder block (photo).

55 Refit the auxiliary shaft cover, using a new gasket, and tighten the securing bolts (photos).

56 Refit the auxiliary shaft sprocket, timing belt, cover and crankshaft pulley as described in Part B of this Section.

57 Refit the engine and transmission with reference to Part D of this Section.

Engine - complete dismantling



Warning: Refer to the beginning of Section 9 before starting any work.

58 Detach and remove the following ancillary items. Where applicable, refer to the appropriate Chapter or Section within this Chapter for more detailed removal instructions.

- Engine oil dipstick
- Ignition distributor and HT leads
- Fuel pump
- Alternator
- Oil filter
- Oil vapour recovery unit
- Inlet and exhaust manifolds and associated fuel injection components (as applicable)
- Clutch unit

59 Refer to Part B of this Section for details and remove the timing cover and drivebelt.

60 Refer to Part B of this Section for details and remove the cylinder head unit.



7C.55A Refit the auxiliary shaft cover with a new gasket . . .



7C.55B . . . and tighten the securing bolts



7C.69 Identification notches on No. 3 main bearing cap

- 61 Refer to Part B of this Section for details and remove the flywheel.
- 62 Refer to the previous sub-Section for details and remove the auxiliary shaft.
- 63 Refer to Part B of this Section for details and remove the sump.
- 64 Refer to Part B of this Section for details and remove the oil pump unit.
- 65 Refer to Part B of this Section for details and remove the front and rear crankshaft oil seals.
- 66 Refer to Part B of this Section and remove the piston/connecting rod assemblies.
- 67 Refer to Part B of this Section for details and remove the crankshaft and main bearing assemblies.

Crankshaft and main bearings - removal



- 68 Unscrew the securing bolts and remove the front and rear crankshaft oil seal housings. Recover the gaskets.
- 69 Check the main bearing caps for identification marks and if necessary use a centre-punch to identify them. Normally the caps have identifying notches cut into their top face nearest the timing belt end of the engine, with the exception of No 5 cap (flywheel end) which has no marking (photo).
- 70 Before removing the crankshaft, check that the endfloat is within the specified limits. Ideally a dial gauge should be used, but alternatively feeler gauges can be used as follows. Push the crankshaft as far as possible towards the timing end of the engine, and using a feeler gauge, measure the gap between the rear face of the flywheel mounting flange on the crankshaft and the outer face of the thrust washer (photo). Now push the crankshaft as far as possible in the opposite direction and take the same measurement again. The difference between the two measurements is the crankshaft endfloat. If the endfloat is outside the specified limits, new thrustwashers will be required.
- 71 Unscrew the bolts and tap off the main bearing caps complete with bearing shells. If the bearing shells are to be re-used, tape them to their respective caps.
- 72 Lift the crankshaft from the crankcase.
- 73 Extract the bearing shells from the



7C.70 Measuring crankshaft endfloat using feeler gauge method

crankcase, keeping them identified for location if they are to be re-used, and recover the thrust washers from No. 5 main bearing location.

Engine components - examination and renovation



- 74 With the engine completely stripped, clean all the components and examine them for wear. Each part should be checked and where necessary renewed or renovated as described elsewhere in this Section. Renew main and big-end bearing shells as a matter of course, unless it is known that they have had little wear and are in perfect condition.
- 75 If in doubt as to whether to renew a component which is still just serviceable, consider the time and effort which will be incurred should the component fail at an early date. Obviously the age and expected life of the vehicle must influence the standards applied.
- 76 Gaskets, oil seals and O-rings must all be renewed as a matter of course. FIAT specify that the main cylinder head bolts should be renewed after they have been used (ie tightened) four times - if in any doubt as to the number of times the bolts have been used, renew them in any case as a precaution against possible failure.
- 77 Take the opportunity to renew the engine core plugs while they are easily accessible. Knock out the old plugs with a hammer and chisel or punch. Clean the plug seats, smear

- the new plugs with sealant and tap them squarely into position.
- 78 Clean and examine the cylinder block as described in paragraphs 2 to 7 of Section 18, Chapter 1.
- 79 If the auxiliary shaft bushes are excessively worn or are oval, they must be renewed. When the new bushes are installed, they may need to be reamed to suit. The renewal of the auxiliary shaft bushes is therefore best entrusted to an engine reconditioner or FIAT dealer. When the bushes are renewed, ensure that the oil hole in each bush is aligned with the oil channel in the cylinder block.

PART D: ENGINE REASSEMBLY

Reassembly - general

- 1 Refer to Chapter 1, Section 19.

Crankshaft and main bearings - refitting



- 2 Ensure that the crankcase and crankshaft are thoroughly clean, and that the oilways are clear. If possible, blow through the oil drillings with compressed air, and inject clean engine oil into them.
- 3 Unless they are virtually new, the old main bearing shells should be renewed. Failure to do so is a false economy.
- 4 If new bearing shells are being fitted, wipe away all traces of protective grease.
- 5 Note that there is a tag on the back of each bearing shell, which engages with a groove in the relevant seat in the crankcase or bearing cap.
- 6 Wipe clean the bearing shell locations in the crankcase with a non-fluffy rag, then lubricate them and fit the five upper halves of the bearing shells to their seats. Note that the centre (No. 3) bearing shell is plain, whereas all the other shells have oil grooves (photos).
- 7 Fit the thrustwashers to the No. 5 main bearing shell location, with the grooved side of each washer facing away from the face of the cylinder block - ie towards the thrust face of the crankshaft (photos).
- 8 Wipe the bearing shell locations in the



7D.6A No. 3 main bearing shell is plain . . .



7D.6B . . . all others have oil groove



7D.7A Locate the thrust washer . . .



7D.7B . . . sliding them into position each side of the No. 5 main bearing



7D.8 Locate the bearing shells into the main bearing caps . . .

bearing caps with a soft non-fluffy rag, then fit the lower halves of the bearing shells to their seats. Again, note that the centre (No. 3) bearing shell is plain, whereas all the other shells have oil grooves (photo).

9 Lubricate the crankshaft journals and the upper and lower main bearing shells with clean engine oil (photo).

10 Carefully lower the crankshaft into the crankcase (photo). If necessary, seat the crankshaft using light taps with a rubber-faced hammer on the crankshaft balance webs.

11 Lubricate the crankshaft main bearing journals again, then fit the No. 1 bearing cap. Fit the two securing bolts, and tighten them as far as possible by hand.

12 Fit the No. 5 bearing cap, and as before tighten the bolts as far as possible by hand.

13 Fit the centre and then the intermediate bearing caps, and again tighten the bolts as far as possible by hand.

14 Check that the markings on the bearing caps are correctly orientated as noted during dismantling - ie the identification grooves should face towards the timing side of the engine, then working from the centre cap outwards in a progressive sequence, finally tighten the bolts to the specified torque (photo).

15 Check that the crankshaft rotates freely. Some stiffness is to be expected with new components, but there should be no tight spots or binding.

16 Check that crankshaft endfloat is within the specified limits, as described in paragraph 70 of Part C in this Section.

17 Examine the condition of the front and rear crankshaft oil seals and renew if necessary with reference to Part B of this Section. It is advisable to renew the oil seals as a matter of course unless they are in perfect condition.

18 Lubricate the oil seal lips with clean engine oil, then carefully fit the front and rear oil seal housings using new gaskets.

Pistons and connecting rods - refitting

19 Refer to Part B of this Section.

Oil pump - refitting

20 Refer to Part B of this Section.

Sump - refitting

21 Refer to Part B of this Section.

Flywheel - refitting

22 Refer to Part B of this Section. When the flywheel is bolted in position, refer to Chapter 5 for details and refit the clutch unit.

Auxiliary shaft - refitting

23 Refer to Part C of this Section.

Cylinder head - refitting

24 Refer to Part B of this Section. Note that this procedure describes cylinder head refitting complete with the camshaft housing

assembly and manifolds as a complete unit. Details of refitting the camshaft housing (and followers) to the cylinder head will be found separately in Part B.

Timing belt and covers - refitting

25 Refer to Part B of this Section.

Engine/transmission - reconnection and refitting

Note: A suitable hoist and lifting tackle will be required for this operation. New locktabs will be required for the exhaust downpipe-to-manifold nuts, and suitable exhaust assembly paste, will be required when reconnecting the downpipes to the exhaust manifold.

26 Before attempting to reconnect the engine to the gearbox, check that the clutch friction disc is centralised as described in Chapter 5, Section 8. This is necessary to ensure that the gearbox input shaft splines will pass through the splines in the centre of the friction disc.

27 Check that the clutch release arm and bearing are correctly fitted, and lightly grease the input shaft splines.

28 Mate the engine and gearbox together, ensuring that the engine adapter plate is correctly located, and that the gearbox locates on the dowels in the cylinder block, then refit the engine-to-gearbox bolts and the single nut, but do not fully tighten them at this stage. Ensure that any brackets noted during



7D.9 . . . and lubricate the shells



7D.10 Lower the crankshaft into position



7DS.14 Tighten the main bearing cap bolts to the specified torque setting

removal are in place under the engine-to-gearbox bolts. Do not allow the weight of the gearbox to hang on the input shaft as it is engaged with the clutch friction disc.

29 Refit the starter motor, ensuring that the wiring harness bracket is in position on the top bolt.

30 Locate the engine/transmission unit at the front of the car and move it into position under the engine compartment. Attach the lifting sling and hoist as during removal.

31 Enlist the aid of an assistant to help steady the combined units as they are raised into position and to locate the mountings in the engine compartment.

32 Once they are located, tighten the mountings to the specified torque settings, then disconnect the lifting hoist and sling.

33 The remainder of the refitting and reconnection procedures are a reversal of the removal procedure described in Part C. For further details on reconnecting the suspension and driveshaft components, refer to Chapter 7 and Section 13 of this Chapter.

34 Ensure that the exhaust downpipe-to-manifold connection is clean and renew the gasket when reconnecting this joint. Use a smear of exhaust assembly paste on the joint

faces. Use new lockwashers and tighten the flange nuts securely.

35 Ensure that all fuel and coolant connections are cleanly and securely made.

36 Ensure that all wiring connections are correct and securely made.

37 Top up the engine and transmission oil levels.

38 Refill the cooling system.

39 Check that all connections are securely made, then reconnect the battery negative lead.

Initial start-up after major overhaul

40 Refer to Chapter 1, Section 45.

8 Cooling system

**PART A:
999 AND 1108 CC ENGINES**

Description

1 The operation and function of the cooling system is essentially as described in Chapter 2 but note the location of the various components and the routing of the coolant hoses in Fig. 13.26.

Maintenance

2 Topping-up, draining and refilling procedures are as for 1116 and 1301 cc engines in Chapter 2, but note that the coolant capacity is different (see Specifications).

Thermostat - removal and refitting



3 The thermostat is located on the left-hand end of the cylinder head, below the distributor.

4 The thermostat cannot be renewed independently of its housing and if faulty the complete assembly must be renewed.

5 Drain the cooling system.

6 Although the thermostat housing can be removed directly from the cylinder head, better access is provided if the distributor is first withdrawn as described in Section 10 of this Chapter (photo).

7 Disconnect the coolant hose from the thermostat housing and unscrew the housing flange bolts. Remove the assembly. Note that it may be necessary to tap it free with a plastic-faced or wooden mallet if stuck in place.

8 Remove the gasket and clean the mating surfaces.

9 Use a new gasket and bolt the assembly into position (photo).

10 Reconnect the coolant hose, then fill and bleed the cooling system.

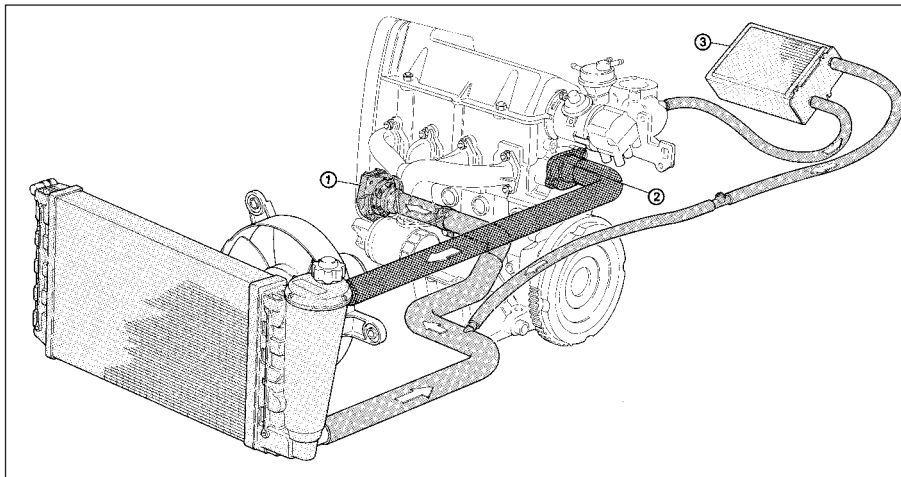


Fig. 13.26 Cooling system circuit - 999 and 1108 cc engines (Sec 8A)

1 Coolant pump 2 Thermostat 3 Heater matrix

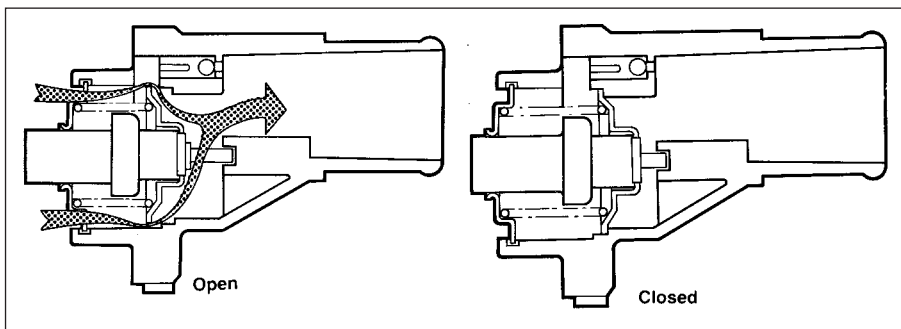


Fig. 13.27 Cooling system thermostat in open and closed positions - 999 and 1108 cc engines (Sec 8A)



8A.6 The thermostat housing (shown with distributor removal) on the 999 cc engine



8A.9 Fitting the thermostat housing. Note the new gasket

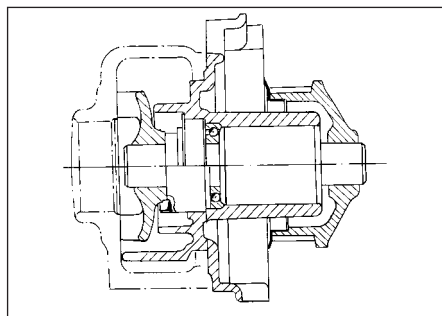


Fig. 13.28 Sectional view of the coolant pump on the 999 and 1108 cc engines (Sec 8A)



8A.17A Fitting the coolant pump to the 999 cc engine



8A.17B Tightening the coolant pump bolts

Coolant pump - removal and refitting



- 11 The coolant pump is located on the crankshaft pulley end of the engine and is driven by the timing belt.
- 12 The pump cannot be repaired and must be regarded as disposable.
- 13 Drain the cooling system.
- 14 Remove the timing belt cover and then set No. 1 piston to TDC. To achieve this, turn the crankshaft pulley bolt until the camshaft sprocket timing mark is aligned with the one on the cylinder head.
- 15 Release the belt tensioner and slip the timing belt off the camshaft and coolant pump sprockets.
- 16 Unbolt and remove the coolant pump and clean the mounting face of all old gasket material.
- 17 Apply a continuous bead of RTV silicone sealant (instant gasket) to the mounting face of the coolant pump and bolt it into position (photos).
- 18 Check that the camshaft sprocket and the crankshaft have not been moved and fit the timing belt to the camshaft and coolant pump sprockets. The pump sprocket does not require setting in any particular position before connecting the timing belt.
- 19 Tension the belt as described in Section 5B of this Chapter.
- 20 Fit the timing belt cover.
- 21 After allowing one hour for the gasket material to cure, refill and bleed the cooling system.

PART B: 1301 CC TURBO IE ENGINE

Description

- 1 The cooling system on this model has flow and return connections to the turbocharger, and is an essential means of cooling the turbocharger.
- 2 The radiator cooling fan is of two-speed type, being controlled by a two-stage thermostatic switch screwed into the radiator side tank.
- 3 According to the coolant temperature level, the fan speed is regulated to provide the most effective cooling.
- 4 The remote cooling system expansion tank is mounted in the left-hand rear corner of the engine compartment (photo).

PART C: 1372 CC IE AND 1372 CC TURBO IE ENGINES

Description

- 1 The cooling system layout and components for the 1372 cc engines is shown in Figs. 13.29 and 13.30.
- 2 The system on each engine operates in essentially the same manner as that described for the other models in Chapter 2, but the location of components and the coolant hose routings differ according to model. The cooling system expansion tank location differs according to model, being either located on the side of the radiator or

mounted separately on the side of the inner wing panel.

3 On Turbo models, the cooling system also assists in cooling the turbocharger.

Maintenance

4 The maintenance procedures are essentially the same as those described for the other models in Chapter 2.

Cooling system - draining, flushing and refilling



Warning: Wait until the engine is cold before starting this procedure. Do not allow antifreeze to come into contact

with your skin or painted surfaces of the vehicle. Rinse off spills immediately with plenty of water. Never leave antifreeze lying around in an open container or in a puddle in the driveway or on the garage floor. Children and pets are attracted by its sweet smell. Antifreeze is fatal if ingested.

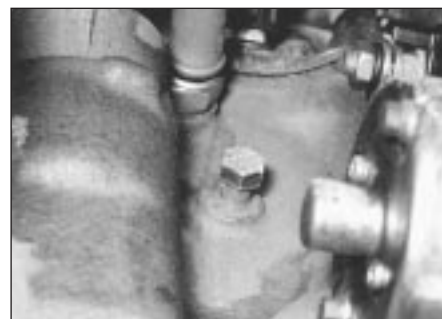
- 5 Disconnect the battery negative lead.
- 6 Working inside the vehicle, turn the heater temperature control knob fully to the right, which will fully open the heater coolant valve.
- 7 With the expansion tank cap removed, place a suitable container beneath the radiator bottom hose.
- 8 Loosen the clip and ease the bottom hose away from the radiator outlet (photo). Allow the coolant to drain into the container.
- 9 Reposition the container under the front of the cylinder block, and unscrew the cylinder block drain plug (photo). Allow the coolant to drain into the container.



8B.4 Topping up the expansion tank with antifreeze on the 1301 cc engine



8C.8 Bottom hose connection to the radiator



8C.9 Cylinder block drain plug

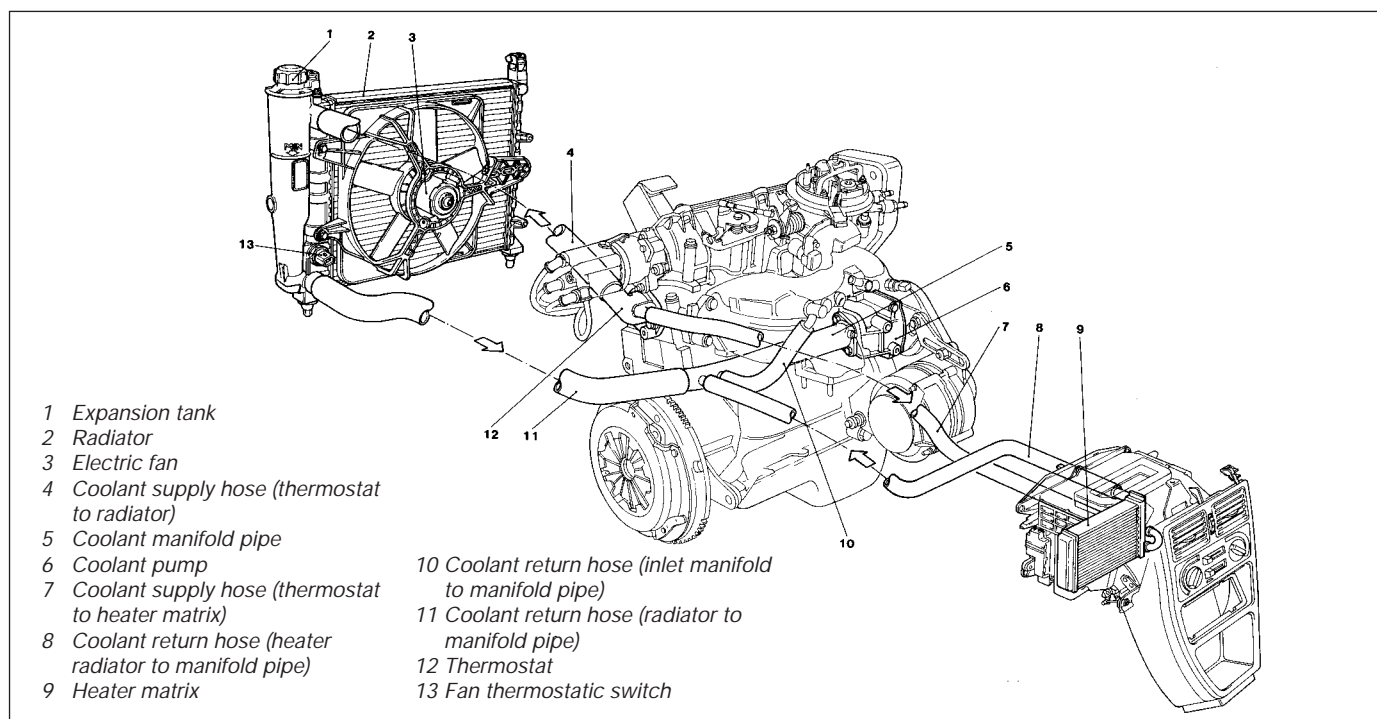


Fig. 13.29 Cooling system circuit - 1372 cc ie engine (Sec 8C)

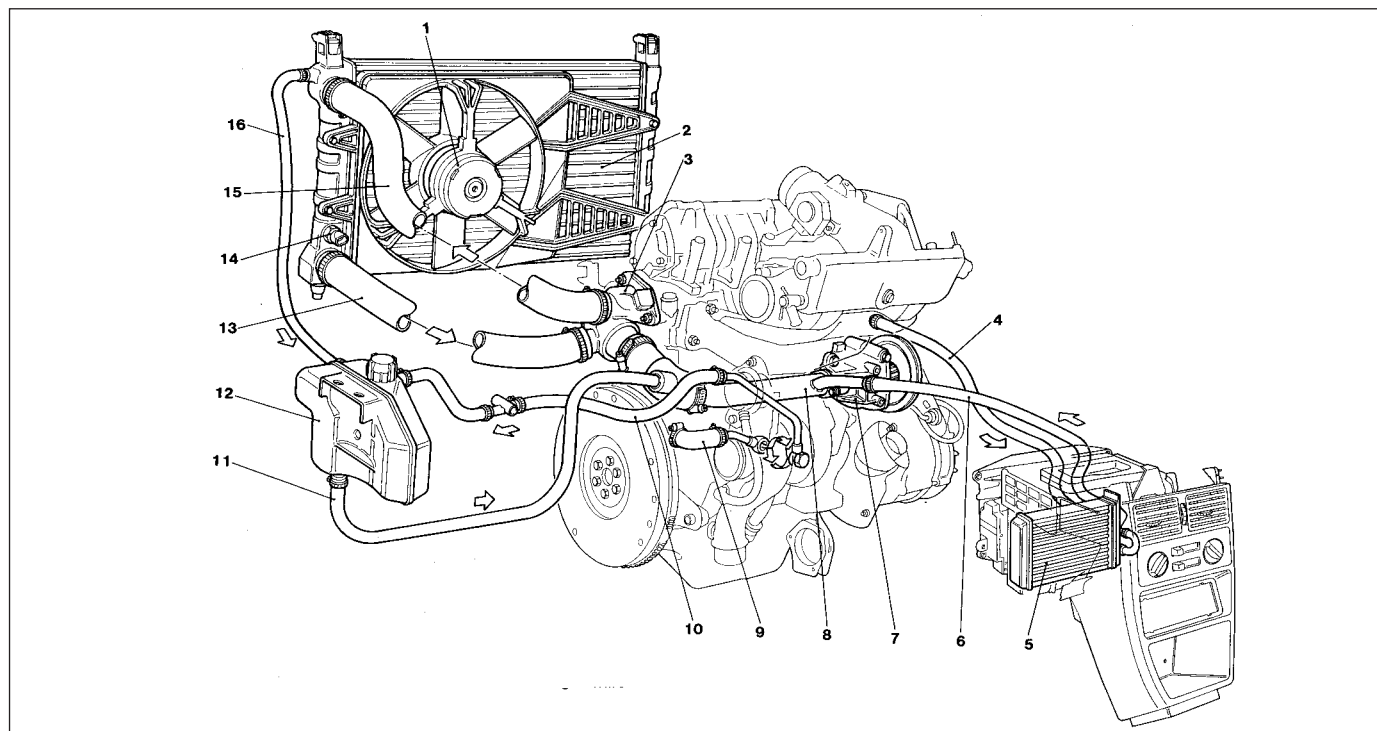
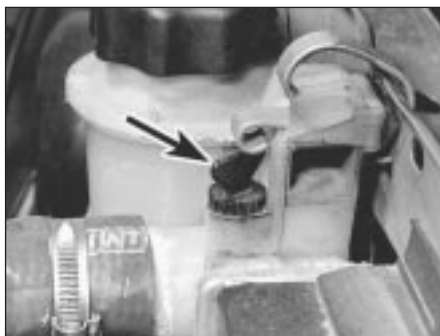


Fig. 13.30 Cooling system circuit - 1372 cc Turbo ie engine (Sec 8C)

- | | | | |
|---|--|--|---|
| 1 Electric fan | 6 Coolant return hose (heater matrix to the manifold pipe) | 10 Coolant return hose (turbocharger to the expansion tank) | 13 Coolant return hose (radiator to the manifold pipe) |
| 2 Radiator | 7 Coolant pump | 11 Coolant supply hose (expansion tank to the manifold pipe) | 14 Fan thermostatic switch |
| 3 Thermostat | 8 Coolant manifold pipe | 12 Expansion tank | 15 Coolant supply hose (thermostat to the radiator) |
| 4 Coolant supply hose (inlet manifold to heater matrix) | 9 Coolant supply hose (cylinder block/crankcase to the turbocharger) | | 16 Coolant return hose (radiator to the expansion tank) |
| 5 Heater matrix | | | |



8C.14 Bleed screw location on top of the expansion tank (arrowed)

10 Apply suitable sealant to the threads of the drain plug, then refit and tighten the plug.

11 Dispose of the drained coolant safely, or keep it in a covered container if it is to be re-used.

12 If required, the system can be flushed through as described in Section 2 of Chapter 2.

13 Before attempting to refill the cooling system, make sure that all hoses have been reconnected, that the hoses and clips are in good condition, and that the clips are tight. Also ensure that the cylinder block drain plug has been refitted and tightened. Note that an antifreeze mixture must be used all year round to prevent corrosion of the engine components - refer to Section 3, Chapter 2.

14 Open the bleed screw in the top of the expansion tank (photo).

15 Remove the expansion tank cap, and fill the system by slowly pouring the coolant into the expansion tank to prevent air locks from forming.

16 Top up the coolant until liquid free from air bubbles emerges from the radiator bleed screw orifice, then close the bleed screw.

17 Continue topping up until the coolant reaches the Maximum mark on the expansion tank.

18 Start the engine and run it until it reaches normal operating temperature, then stop the engine and allow it to cool. Normal operating temperature is reached when the cooling fan



8C.21A Cooling fan and wiring connector

cuts into operation. Feel the radiator top hose to ensure that it is hot. If cool, it indicates an air lock in the system.

19 Check for leaks, particularly around disturbed components. Check the coolant level in the expansion tank, and top up if necessary. Note that the system must be cold before an accurate level is indicated. There is a risk of scalding if the expansion tank cap is removed whilst the system is hot.

Radiator (and cooling fan) - removal and refitting

20 Disconnect the battery negative lead.

21 Detach the wiring connectors from the cooling fan and the fan switch located in the radiator (photos).

22 If preferred, the cooling fan unit can be removed separately from the radiator, by undoing the attachment bolts and carefully withdrawing the unit upwards from the vehicle. Take care not to damage the radiator core as it is lifted clear (photo).

23 Drain the cooling system as described earlier in this part of the Section, but note that it will not be necessary to remove the cylinder block drain plug.

24 Undo the retaining screws and remove the front grille panel.

25 Loosen off the retaining clips and detach the upper coolant hose and the expansion hose from the radiator.



8C.21B Cooling fan switch wiring connector

26 Note their direction of fitting, then prise free the radiator retaining clips. Carefully lift the radiator from the car.

27 Refitting is a reversal of the removal procedure. Ensure that as the radiator is lowered into position, it engages in the two rubber location grommets.

28 With the radiator (and cooling fan) refitted, top up the cooling system as described earlier in this Section (photo).

Thermostat - removal and refitting

Note: A new thermostat cover gasket must be used on refitting.

29 Drain the cooling system as described earlier in this Section, but note that there is no need to drain the cylinder block.

30 Disconnect the coolant hoses from the thermostat cover (situated at the gearbox end of the cylinder head).

31 Unscrew the two thermostat cover securing bolts, noting that the left-hand bolt may also secure the HT lead bracket, and remove the thermostat/cover assembly. Recover the gasket (photo).

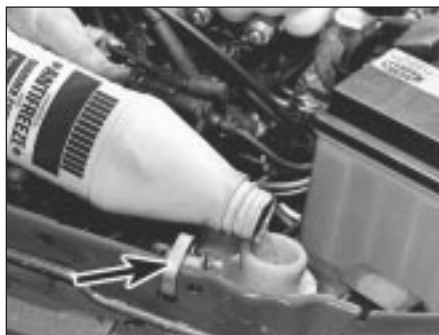
32 If faulty, the thermostat must be renewed complete with the housing as an assembly.

33 If desired the thermostat can be tested as described in Chapter 2.

34 Refitting is a reversal of removal, bearing in mind the following points.



8C.22 Cooling fan to radiator securing bolt



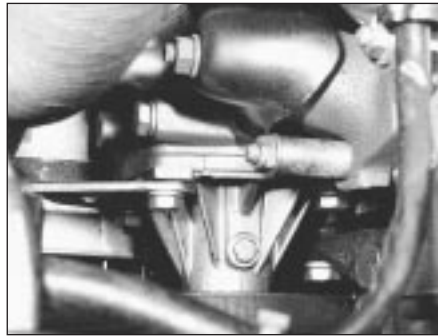
8C.28 Topping up the radiator coolant level on the 1372 cc ie engine. Note orientation of radiator retaining clip (arrowed)



8C.31 Thermostat unit removal on the 1372 cc ie engine (distributor removed for clarity)



8C.40 Coolant pump/alternator bracket bolt removal



8C.48 Top side view of water pump, alternator and drivebelt



8C.49 Alternator/water pump drivebelt and tensioner viewed from the right-hand wheel arch

35 Clean the mating faces of the thermostat cover and cylinder head, and use a new gasket when refitting the cover.

36 Refill the cooling system as described earlier in this Section.

Coolant pump - removal and refitting



Note: A new coolant pump gasket must be used on refitting. If the pump is found to be worn it must be renewed as a complete unit as dismantling and repair is not possible.

37 Disconnect the battery negative lead.

38 Drain the cooling system as described earlier in this Section.

39 Remove the coolant/alternator drivebelt as described in the next sub-Section.

40 Unscrew the four coolant pump securing bolts, noting that two of the bolts also secure the alternator adjuster bracket, and withdraw the pump from the housing (photo). Recover the gasket.

41 Refitting is a reversal of removal, bearing in mind the following points.

42 Use a new gasket between the pump and the housing.

43 Refit and tension the coolant pump/alternator drivebelt as described in the next sub-Section.

44 On completion, refill the cooling system as described earlier in this Section.

Coolant pump/alternator drivebelt - checking, renewal and tensioning



45 At the intervals specified in Section 3 or "Routine maintenance" at the beginning of this manual (as applicable), the drivebelt should be checked and if necessary re-tensioned.

46 Access to the drivebelt is made from the underside of the car on the right-hand side. Loosen off the front right-hand roadwheel retaining bolts, then raise and support the car on axle stands at the front. Remove the front roadwheel on the right-hand side.

47 Remove the underwing shield from the right-hand wheel arch by drifting the compression pins out from the retaining clips. Prise free the clips and remove the shield.

48 Additional, though somewhat restricted, access can be obtained from above by removing the air cleaner unit on the non-Turbo ie-engine (photo).

49 Check the full length of the drivebelt for cracks and deterioration. It will be necessary to turn the engine in order to check the portions of the drivebelt in contact with the pulleys. If a drivebelt is unserviceable, renew it as follows (photo).

50 Loosen the alternator mounting and adjuster nuts and bolts and pivot the alternator towards the cylinder block.

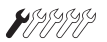
51 Slip the drivebelt from the alternator, coolant pump and crankshaft pulleys.

52 Fit the new drivebelt around the pulleys, then lever the alternator away from the cylinder block until the specified belt tension is achieved. Lever the alternator using a wooden or plastic lever at the pulley end to prevent damage. It is helpful to partially tighten the adjuster nut before tensioning the drivebelt (photo).

53 When the specified tension has been achieved, tighten the mounting and adjuster nuts and bolts (photo).

PART D: HEATER UNIT- LATER MODELS

Heater unit - removal and refitting



1 The heater unit is removed complete with the fascia/control panel. Commence by draining the cooling system as described previously in this Section.

2 Disconnect the battery negative lead.

3 Refer to Section 15 of this Chapter for details and remove the ashtray/cigar lighter and the auxiliary control panel.

4 Undo the upper screw retaining the heater unit to the fascia (see Fig. 13.31).

5 Remove the radio from the central fascia.

6 Undo the retaining screw on each side at the front of the gear lever console. Prise free



8C.52 Fitting a new coolant pump/alternator drivebelt around the pulleys



8C.53 Tightening the alternator adjuster nut



Fig. 13.31 Removing the heater unit-to-fascia upper retaining screw (Sec 8D)



Fig. 13.32 Heater unit facia to main facia retaining screw locations (arrowed) (Sec 8D)

the trim cover, undo the retaining screw at the rear of the console. Prise free and release the gear lever gaiter and lift clear the central console.

7 Undo the retaining screws and remove the steering column upper and lower shroud.

8 Detach and remove the lower facia trim on the side of the central facia.

9 Referring to Fig. 13.32, unscrew and remove the four heater facia to main facia retaining screws from the points indicated.

10 Undo the two retaining nuts securing the heater to the body on the driver's side.

11 Undo the retaining screws and remove the pipe shield from the side of the heater unit, then disconnect the coolant supply and return hoses from the heater. As the hoses are detached, be prepared to catch any remaining



Fig. 13.33 Heater pipe shield securing screw positions on later models (Sec 8D)

coolant as it flows from the hoses and heater connections.

12 Undo the remaining two heater unit securing nuts and withdraw the heater unit from the car. As the unit is removed, detach the wiring and position the hoses with their ends pointing upwards to avoid further coolant spillage.

13 Refit in the reverse order of removal. Ensure that the hoses are securely reconnected. Top up the cooling system on completion.

Heater unit - dismantling and reassembly

14 Remove the heater unit as described previously.

15 Pull free the heater/fresh air and blower control knobs (photo).

16 Undo the two retaining screws and withdraw the control panel from the facia. Detach the wiring connectors from the panel illumination lights and remove the panel.



8D.15 Pull free the heater/fresh air and blower control knobs

17 Unscrew the retaining bolts and remove the centre panel from the heater unit.

18 Undo the retaining screws and remove the control lever mounting.

19 Loosen off the grub screws and detach the cables from the control levers.

20 Undo the retaining screws and remove the control valve.

21 Undo the two retaining screws and withdraw the heater matrix from the heater housing.

22 To separate the casing halves, drill out the pop rivet securing the mounting bracket, release the retaining clips and unscrew the securing bolts.

23 Reassemble in the reverse order of dismantling. Check that the control cables are correctly adjusted and that the controls operate in a satisfactory manner before refitting the heater unit to the car.

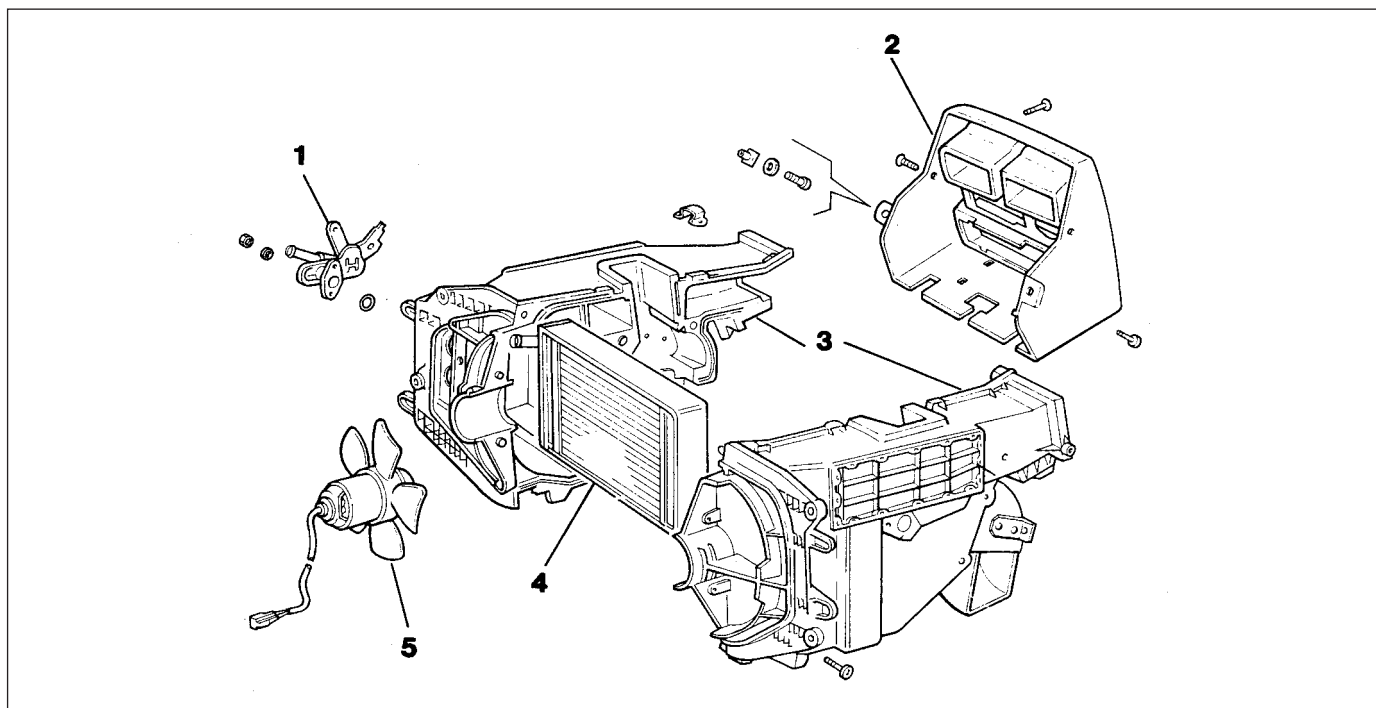


Fig. 13.34 Heater unit components on later models (Sec 8D)

1 Coolant inlet tap 2 Centre panel 3 Side casings 4 Heater matrix 5 Blower fan



9A.4A Air cleaner toggle clip on the 999 cc model



9A.4B Air cleaner element on the 999 cc model



9A.5A Air cleaner hot air intake and lower retaining clip on the 999 cc model

9 Fuel and exhaust systems



Warning: Many of the procedures in this Section require the removal of fuel lines and connections that may result in some fuel spillage. Before carrying out any operation on the fuel system refer to the precautions given in 'Safety first!' at the beginning of this Manual and follow them implicitly. Petrol is a highly dangerous and volatile liquid, and the precautions necessary when handling it cannot be overstressed.



Caution: On fuel injection models, the system is pressurised, therefore extra care must be taken when disconnecting fuel lines. When disconnecting a fuel line union, loosen the union slowly, to avoid a sudden release of pressure that may cause fuel to spray out and have a container and cloth ready to catch spillages. Fuel pressure checking must be entrusted to a Fiat dealer, or other specialist, who has the necessary special equipment.

PART A: GENERAL

Unleaded fuel

Note: On models with catalytic converters

only unleaded petrol must be used - the use of leaded petrol will destroy the catalyst.

1 It is possible to use unleaded fuel (minimum 95 RON) in the following models with the indicated serial numbers.

Engine	Serial number	
903 cc	146A.000	
	146A.046	
	146A.048	
999 cc	156A2.00	
	1108 cc	160A3.000
	1116 cc	138B.000
1299/1301 cc	138B.046	
	146A4000	
	146A4.048	
	138B2.000	
	138B2.046	
1372 cc	149A7.000	
	1149A7.000	
	146A2.000	
	146C1.000	
	146A8.000	
	160A1.046	

2 On all except the 903 cc engine, the use of unleaded fuel is conditional upon the avoidance of constant high speeds and sudden acceleration.

Air cleaner - modified types

3 The air cleaner on later models is of the automatic temperature controlled type. The need to move the intake control lever to winter or summer positions is no longer required.

4 The air cleaner on the 999 cc engine is of



9A.5B Air cleaner cold air intake on the 999 cc model

rectangular shape and the element is removed for renewal after prising back the toggle type clips (photos).

5 To remove this type of air cleaner, disconnect the cold and hot air intake hoses and the large and small breather hoses (photos).

6 Unscrew the nut from the upper casing section and then release the lower toggle type clip and lift the air cleaner from the carburettor (photo). Note the sealing ring between the air cleaner and the carburettor. Unless the ring is in good condition, renew it.

7 If the thermostatically-controlled cold air flap opener in the air cleaner casing is faulty (checked by holding a mirror against the cold air intake when the engine is warm), renew the opener (single fixing screw); no repair is possible (photo).



9A.5C Air cleaner breather hoses on the 999 cc model



9A.6 Air cleaner casing nut on the 999 cc model



9A.7 Air cleaner thermostatic flap opener on the 999 cc model



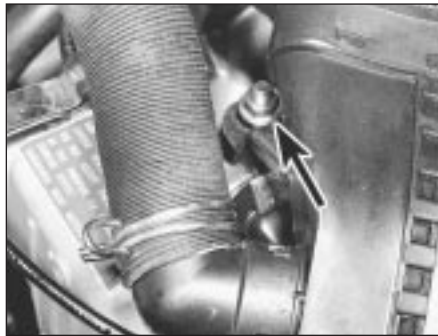
9A.8A Air cleaner on the 1116 cc, 1299 cc and 1301 cc models



9A.8B Circular type air cleaner element



9A.9A Circular type air cleaner fixing nuts



9A.9B Circular type air cleaner nut on the camshaft cover (arrowed)

8 The air cleaner on the 1116 cc and 1299/1301 cc engine is of circular type. Access to the element is obtained by extracting the three cover nuts and lifting off the lid (photos).

9 The air cleaner casing can be removed after unscrewing the four nuts which hold it to the carburettor and the single nut on the camshaft cover bracket. As the casing is withdrawn, disconnect the hoses from it (photos).

10 The thermostatically-controlled cold air flap opener is similar to that described in paragraph 7.

11 The air cleaner on the 1372 cc ie engine is of rectangular shape. The element can be removed after releasing the spring clips at the front of the unit, followed by the two screws from its top face. The air cleaner end cover can then be withdrawn and the element removed. The air cleaner unit on the 1372 cc Turbo ie engine is located in the front right-hand corner of the engine compartment. Prise free the four clips to release the top cover and expose the element.

Fuel pump (999 and 1108 cc carburettor models) - description, removal and refitting



12 The fuel pump is mechanically-operated via a pushrod which is in contact with an eccentric cam on the camshaft. The pump is of sealed, disposable type - no repair or cleaning being possible.

13 To remove the pump, disconnect the flexible hoses and unbolt the pump from the cylinder head. Retain the pushrod and the insulator block.

14 Refitting is a reversal of removal, use new gaskets, one on each side of the insulator block.

Fuel tank (999 and 1108 cc engines)

15 In conjunction with the plastic type fuel tank, the breather and fuel level transmitter unit have been modified as shown in Fig. 13.35.

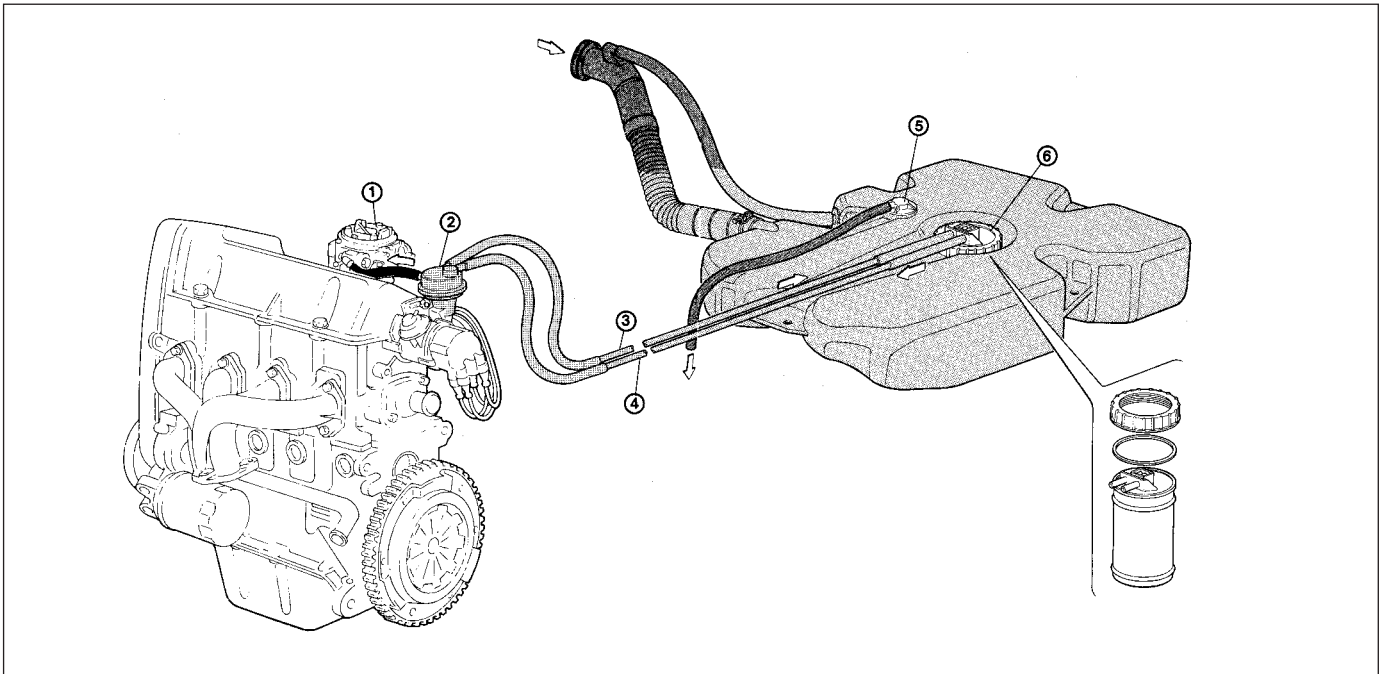
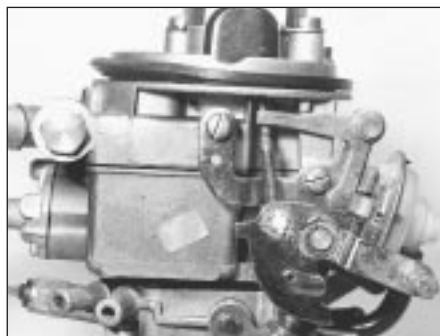


Fig. 13.35 Fuel tank and supply circuit on the 999 and 1108 cc engines (Sec 9A)

- 1 Carburettor 2 Fuel pump 3 Fuel return pipe 4 Fuel feed pipe 5 Tank vent valve 6 Fuel level sender unit



9B.2A Weber 32 TLF 4/250 carburettor from anti-run-on solenoid valve side



9B.2B Weber 32 TLF 4/250 carburettor from choke linkage side



9B.2C Weber 32 TLF 4/250 carburettor from accelerator pump side

PART B: CARBURETTOR MODELS

Carburettor (Weber 32 TLF) - description



Warning: Refer to the beginning of this Section before starting any work.

- 1 This carburettor is used on the 999 cc engine and is of the single venturi downdraught type, with a manually-operated choke (cold start).
- 2 The unit incorporates an automatic anti-flooding device, a full power valve and an accelerator pump (photos).
- 3 The throttle valve block, although incorporating coolant hose stubs, is not in fact coolant-heated.



9B.2D Weber 32 TLF 4/250 carburettor from throttle linkage side



9B.2E Weber 32 TLF 4/250 carburettor from above



9B.6 Weber 32 TLF 4/250 carburettor idle speed screw (arrowed)



9B.8 Weber 32 TLF 4/250 carburettor mixture screw location under tamperproof plug (arrowed)



9B.9 Mixture adjustment - Weber 32 TLF carburettor

- 4 A solenoid-operated idle cut-off valve is fitted to prevent running-on (dieseling) when the ignition is switched off.

Carburettor (Weber 32 TLF) - idle speed and mixture adjustment

- 5 If the car is not equipped with a rev counter, connect one in accordance with the manufacturer's instructions.
- 6 Have the engine at normal operating temperature and idling. Turn the idle speed screw on the carburettor until the speed matches that specified (photo).
- 7 The idle mixture is set in production, and the adjustment screw is sealed with a tamperproof cap. If, however, the idling is not smooth or the engine or carburettor have

been extensively overhauled, the mixture may require adjusting.

- 8 Prise out the tamperproof plug and connect an exhaust gas analyser to the car in accordance with the instrument manufacturer's instructions (photo).

9 With the engine at normal operating temperature and idling at the specified speed, turn the mixture screw until the CO percentage is within the specified tolerance (photo).

- 10 If an exhaust gas analyser is not available, turn the mixture screw anti-clockwise to obtain maximum idle speed and then turn it clockwise until the speed just starts to drop. Re-adjust the idle speed screw to bring the idle speed to the specified level.

11 Switch off the engine and remove the test instruments. It is advisable to fit a new tamperproof cap to the mixture screw if it is intended to take the vehicle overseas. This is required to meet legislation in certain countries.

Carburettor (Weber 32 TLF) - removal and refitting

- 12 Remove the air cleaner.
- 13 Release the clips and disconnect the fuel hoses from the carburettor. Take extreme care that fuel spillage is contained and that there are no naked flames in the vicinity of the work area. Do not smoke.
- 14 Disconnect the distributor vacuum hose from the carburettor.



9B.18 Removing the Weber 32 TLF carburettor by gripping air cleaner mounting bracket



9B.19 Carburettor insulator block



9B.22 Fuel filter removal from the Weber 32 TLF carburettor

15 Release the clamp screw and pinch-bolt, and disconnect the choke cable.

16 Slacken the throttle cable by releasing the locknut and turning the adjuster sleeve, then slip the cable nipple out of the notch in the throttle spindle quadrant.

17 Disconnect the lead from the idle cut-off solenoid valve.

18 Unscrew the two long mounting bolts and lift the carburettor from the inlet manifold (photo).

19 Refitting is a reversal of removal, but observe the following points (photo).

- a) Use a new flange gasket at each side of the insulator block.
- b) Check that the choke cable is fitted so that full choke can be obtained but the choke is fully off when the choke control lever is pushed right in.
- c) Adjust the throttle cable so that there is just a slight amount of slackness when the accelerator pedal is released, but when fully depressed, full throttle can be obtained (throttle valve plate quadrant up against its stop).

Carburettor (Weber 32 TLF) - overhaul



20 It is rare for a carburettor to require complete overhaul and if the unit has seen considerable service and wear is detected in the throttle valve spindle bushes, it is recommended that a new or rebuilt carburettor is obtained.

21 Normally, the following operations are all that will be required to keep the carburettor working perfectly. The unit need not be removed from the manifold unless the throttle block is to be detached; simply remove the air cleaner.

22 Periodically, unscrew the large hexagonal plug adjacent to the fuel inlet pipe, extract the filter and clean it. Refit the filter and plug (photo).

23 Obtain a repair kit for your carburettor which will contain all the necessary replacement gaskets and seals. Extract the top cover and choke diaphragm assembly fixing screws, remove the small plastic cover and push out the bush, then lift the top cover from the carburettor. Discard the gasket (photos).

24 Mop out fuel and sediment from the float chamber.

25 The various jets and calibrated bleeds can then be removed and cleared by blowing them through with air from a tyre pump. Do not attempt to clear them by probing with wire, as this will ruin the calibration.

26 Check the tightness of the fuel inlet needle valve. If necessary, remove the float and its pivot pin so that a close-fitting ring spanner can be used on the valve body. Take care to support the pivot pin pedestals as the pin is tapped out - they are brittle. The throttle valve plate block can be removed after extracting the screws (photos).

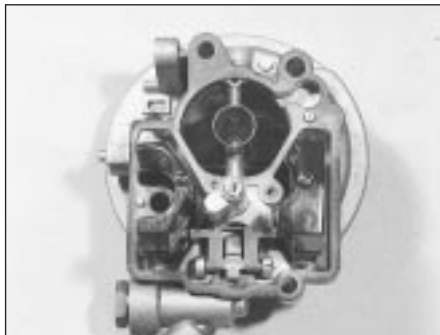
27 As reassembly progresses, carry out the following checks and adjustments.



9B.23A Choke linkage cover removal from the Weber 32 TLF carburettor



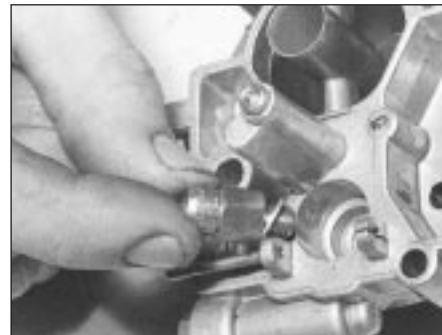
9B.23B Disconnecting the choke linkage on the Weber 32 TLF carburettor



9B.23C Underside view of the cover on the Weber 32 TLF carburettor



9B.26A Floats and pivot pin arrangement on the Weber 32 TLF carburettor



9B.26B Fuel inlet valve needle removal from the Weber 32 TLF carburettor



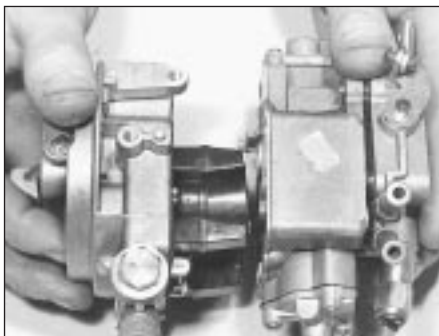
9B.26C Fuel inlet valve body and washer removal from the Weber 32 TLF carburettor



9B.26D Extracting the throttle valve block screws from the Weber 32 TLF carburettor



9B.26E Throttle valve block gasket on the Weber 32 TLF carburettor



9B.26F Main parts of the Weber 32 TLF carburettor

Float level - checking and adjustment

28 With the carburettor top cover held vertically so that the float arm just touches the fuel inlet needle valve ball, measure between the float and the surface of the flange gasket as shown in Fig. 13.36. If the dimension is not within the specified tolerance, bend the float tab which bears on the needle valve ball.

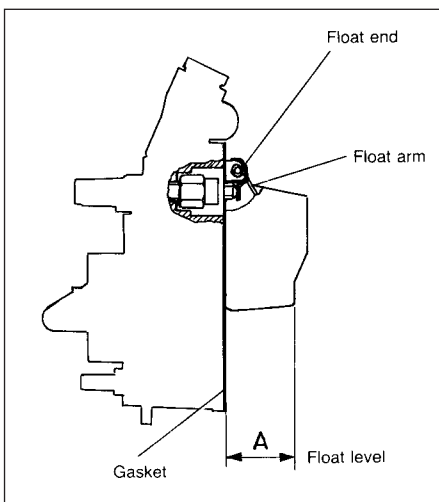


Fig. 13.36 Float level measurement - Weber 32 TLF carburettor (Sec 9B)
A = 26.75 to 27.25 mm (1.05 to 1.07 in)

Fast idle - adjustment (requires removal of the carburettor)

29 Close the choke valve plate by moving the control lever fully. Retain the lever in this position with a rubber band.

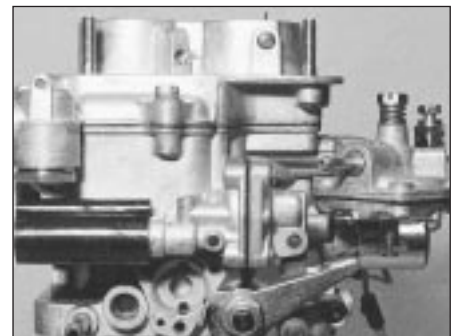
30 The throttle valve plate should now be open to give a gap between its edge and the progression holes as specified. Check the gap using a twist drill of equivalent diameter.

31 If adjustment is required, release the locknut and turn the adjustment screw. Retighten the locknut.

Automatic anti-flooding device - adjustment

32 Operate the choke valve plate lever fully.

33 Move the control lever on the automatic anti-flooding device downwards to simulate vacuum pull-down. The choke butterfly should open, leaving a gap (B - Fig 13.38) as specified. Measure the gap with a twist drill of equivalent diameter and make sure that the choke valve plate is in the position shown. If adjustment is required, turn the screw on the diaphragm unit.



9B.34A Weber 30/32 DMTE carburettor from anti-flood device link side

Carburettor (Weber 30/32 DMTE) - general

34 The carburettor is of twin barrel downdraught type with a manually-operated choke and an electronic fuel cut-off overrun valve (photos).

35 Periodically, remove the large hexagonal plug from its location at the fuel inlet pipe stubs, and clean any dirt from the filter gauge.

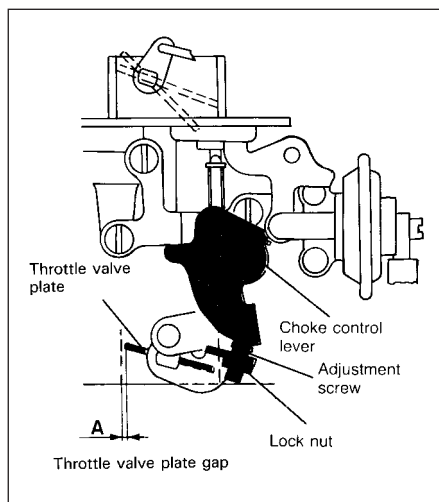


Fig. 13.37 Fast idle adjustment - Weber 32 TLF carburettor (Sec 9B)
A = 0.65 to 0.75 mm (0.026 to 0.030 in)

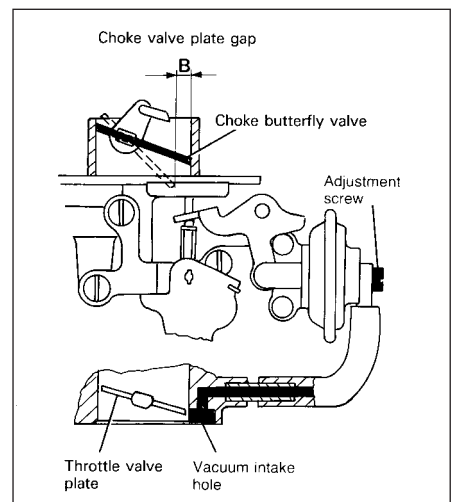
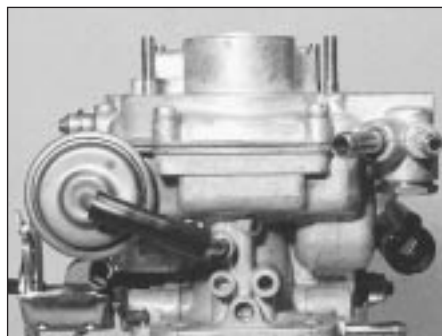
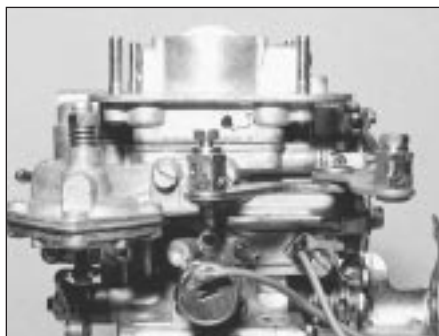


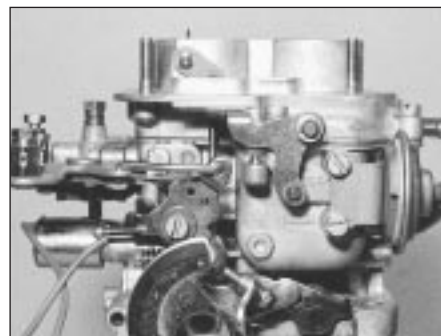
Fig. 13.38 Automatic anti-flooding device adjustment - Weber 32 TLF carburettor (Sec 9B)
B = 4.5 mm (0.18 in)



9B.34B Weber 30/32 DMTE carburettor from diaphragm hose side



9B.34C Weber 30/32 DMTE carburettor from choke link side



9B.34D Weber 30/32 DMTE carburettor from throttle link side

Idle speed and mixture adjustment

36 Refer to Chapter 3, Section 7 (photos).

Removal and refitting

37 The operations are similar to those described for the Weber 32 TLF earlier in this Supplement, but note that the carburettor is secured by four nuts and additional electrical leads must be disconnected (photos).

Carburettor (Weber 30/32 DMTE) - overhaul

38 The carburettor top cover with float may be removed without the need to withdraw the carburettor from the manifold. Other



9B.34E Weber 30/32 DMTE carburettor from above (with cover removed)



9B.36A Showing idle speed screw (arrowed) and . . .



9B.36B . . . mixture screw (arrowed) on the Weber 30/32 DMTE carburettor



9B.37A Fuel inlet and return hoses on the Weber 30/32 DMTE carburettor



9B.37B Throttle cable connection on the Weber 30/32 DMTE carburettor



9B.37C Choke cable connection on the Weber 30/32 DMTE carburettor



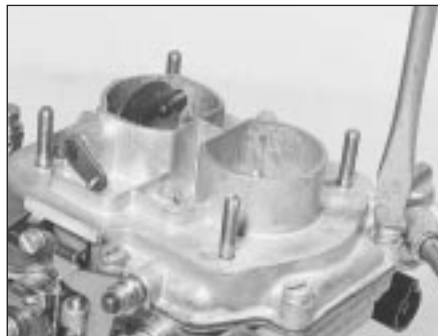
9B.37D Electrical lead to automatic anti-flood device on the Weber 30/32 DMTE carburettor



9B.37E Carburettor lead connectors on the Weber 30/32 DMTE carburettor



9B.37F Unscrewing a carburettor fixing nut



9B.40 Unscrewing a top cover screw from the Weber 30/32 DMTE carburettor



9B.41 Jets on the Weber 30/32 DMTE carburettor (top cover removed)



9B.45 Float pivot arrangement and needle valve on the Weber 30/32 DMTE carburettor

adjustments described in this sub-Section, however, will require removal of the carburettor.

39 Disconnect the short, curved diaphragm hose from the top cover.

40 Extract the top cover screws, lift the cover from the carburettor body, and rotate it in order to release the cranked choke control rod from its key hole (photo). Mop out the fuel and clean the jets.

41 Check the jet sizes and other components against those listed in the Specifications, in case a previous owner has substituted incorrect components (photo).

42 Overhaul procedures are generally as given in Chapter 3, Section 14 for the Weber 30/32 DMTR, but use the Specifications listed in this Chapter. Additional overhaul procedures are given here.

Fuel inlet needle valve

43 If a high float level causing flooding of the carburettor has been evident, first check that the inlet valve housing is tight, and its washer is sealing satisfactorily. A leak here will cause fuel to bypass the inlet valve.

44 If the needle valve is to be renewed, remove it in the following way.

45 Access to the fuel inlet needle valve is obtained by carefully tapping out the float arm pivot pin. Take care, the pivot pin pillars are very brittle (photo).

46 Unscrew the fuel inlet valve body and remove the valve and washer.

47 When refitting the new valve, always use a new sealing washer.

Float stroke (travel) - see Fig. 3.10

48 The float stroke should be between 42.5 and 43.5 mm when measured from the top cover gasket. Adjust if necessary by bending the tab on the end of the arm.

Accelerator pump

49 Adjustment of the accelerator pump is very rarely required, but if performance is suspect, carry out the following operations.

50 Fill the carburettor float chamber and then operate the throttle valve plate lever several times to prime the pump.

51 Position a test tube under the accelerator pump jet and give ten full strokes of the throttle lever, pausing between each stroke to allow fuel to finish dripping.

52 The total volume of fuel collected should be as specified. Adjust the nut on the pump control if necessary to increase or decrease the volume of fuel ejected.

General

53 When the stage is reached where the valve plate spindle bushes have worn, then the carburettor should be renewed complete.

54 When reassembling the carburettor, use new gaskets which can be obtained in a repair pack.

Carburettor (Weber 32 ICEV 61/250 and DMTE 30/32, DMTE 30/150) - general

55 These carburettor types are fitted to later models according to engine type. They are similar in structure and operation to their equivalents described in Chapter 3. Reference can therefore be made to that Chapter for the description and any operations concerning them, but refer to Section 2 of this Chapter for their specifications.

Carburettor (Solex C 30/32-CIC 8) - description

56 This carburettor is fitted as an alternative to the Weber unit on 1116 cc models produced for certain markets. The removal, refitting and overhaul procedures are essentially the same as described earlier for the Weber carburettors.

PART C: BOSCH LE2-JETRONIC FUEL INJECTION SYSTEM

Description



Warning: Refer to the beginning of this Section before starting any work.

1 The Bosch LE2-Jetronic fuel injection system, fitted to the 1301 cc Turbo ie model, is an electronically controlled multi-point injection (MPI) system.

2 The fuel injectors are fed at constant pressure in relation to inlet manifold vacuum pressure.

3 The system electronic control unit (ECU) actuates the injectors for variable duration, and so supplies the precise volume of fuel required for any given engine speed and load condition.

4 The ECU also monitors the air induction, air temperature, coolant temperature and throttle opening as additional parameters to compute the required opening of the fuel injectors, giving maximum power with fuel economy.

Fuel supply system

5 The fuel supply system consists of an electric pump and primary filter, located adjacent to the fuel tank. A fuel pressure peak damper is located next to the pump (photo).

6 Fuel is then pumped through a filter to the fuel rail and injectors. The injectors are of the



9C.5 Electric fuel pump/filter/pressure damper assembly location on a 1301 cc Turbo ie model

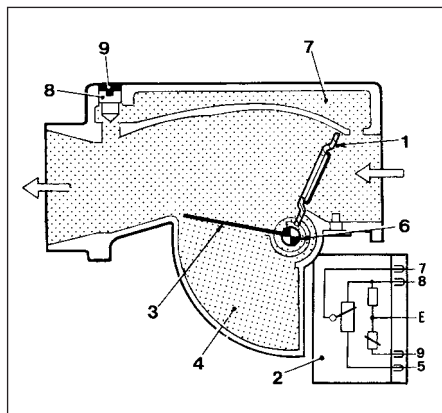


Fig. 13.39 Sectional view of airflow meter - 1301 cc Turbo ie engine (Sec 9C)

- 1 Floating plate
- 2 Potentiometer
- 3 Compensating butterfly valve
- 4 Damper chamber
- 6 Spring
- 7 Bypass channel
- 8 CO adjusting screw
- 9 Tamperproof plug

Terminals

- 5, 7, 8, Potentiometer
- 9 Air temperature sensor
- E Sealed (not to be touched)

solenoid-operated type, actuated from the ECU.

7 Fuel pressure is regulated according to inlet manifold vacuum pressure by a fuel pressure regulator. Excess unpressurised fuel is returned to the fuel tank.

Airflow meter

8 This component measures the quantity of air drawn into the engine, and converts this into an electric signal which is transmitted to the ECU.

9 The intake air exerts a force on the floating plate (1) (Fig. 13.39) which is connected to a potentiometer (2).

10 A compensating butterfly valve (3) compensates for any reflex pressure which may occur, and is subject to the braking effect of the damper chamber (4).

11 The idle mixture (air/fuel ratio) is altered by means of the screw (8), which alters the cross-section of the bypass channel (7).

12 An integral-type temperature sensor is fitted, the resistance value of which decreases as the temperature of the intake air increases. This facility is used to correct the mixture strength within a pre-determined air temperature range.

Throttle valve housing

13 The housing incorporates a conventional butterfly-type throttle valve, actuated by cables and rods from the accelerator pedal.

14 The idle bypass channel (2) (Fig. 13.40) is fitted with an adjustment screw (3) to vary the idle speed.

15 The other screw (4) and locknut are used

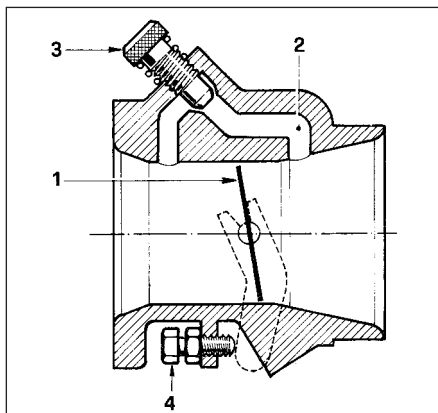


Fig. 13.40 Sectional view of throttle valve housing - 1301 cc Turbo ie engine (Sec 9C)

- 1 Butterfly-type throttle valve
- 2 Idle bypass channel
- 3 Idle speed adjusting screw
- 4 Throttle valve plate setting screw

to set the closing position of the throttle valve plate.

Supplementary air valve

16 This controls the air volume requirement during cold starting. Essentially, the valve is an electrically-heated bi-metallic strip, which rotates the plate (4) (Fig. 13.41) to vary the volume of air being drawn in through the aperture (1), according to the temperature of the engine.

17 The requirement for additional air during cold starting is to dilute the additional fuel, which is injected and controlled by the ECU as a result of monitoring the engine coolant temperature sensor.

Electrical control circuit

18 The main components of the system are the ECU and the system control relay. The relay incorporates a fuel cut-off facility, which cuts off the fuel supply in the event of engine failure, the vehicle turning over, or a fuel line breaking. The relay energises the following electrical components.

19 Coolant temperature sensor, which signals the coolant temperature to the ECU.

20 Throttle position switch, which signals the ECU when the throttle valve plate is closed, in order to actuate the deceleration fuel cut-off device at speeds above 2500 rpm.

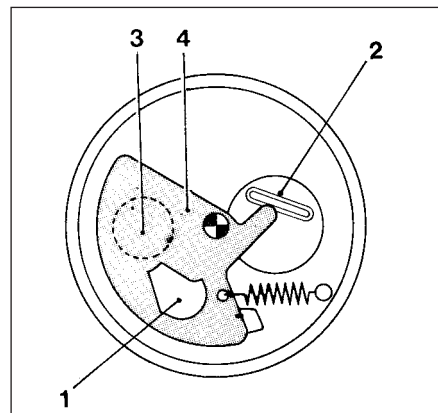


Fig. 13.41 Supplementary air valve - 1301 cc Turbo ie engine (Sec 9C)

- 1 Aperture
- 2 Bi-metallic strip
- 3 Passage
- 4 Rotating plate (closed position)

21 The switch also signals the ECU at full throttle, so that the mixture can be enriched to cope with full-power requirements.

22 The system control relay also monitors the engine speed directly from the ignition coil primary winding.

Maintenance

23 Regularly check the security of all system hoses, wiring connections and plugs.

24 At the intervals specified in Section 3, renew the fuel filter and the air cleaner element.

Fuel filter - renewal

25 This is located within the engine compartment just above the timing belt cover. Disconnect the fuel hoses, but be prepared for loss of fuel (photo).

26 When fitting the new filter, make sure that the arrow stamped on it is pointing towards the fuel injector rail.

Air cleaner element - renewal

27 Prise back the toggle-type clips and take off the air cleaner lid. Remove and discard the element, and wipe any dirt from the inside of the casing (photos).

28 Fit the new element and replace the lid.



9C.25 Secondary fuel filter



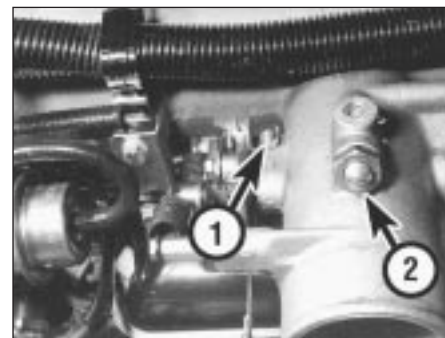
9C.27A Removing the air cleaner lid



9C.27B Removing the air cleaner element



9C.31A Disconnecting the throttle valve housing intake duct



9C.31B Idle speed base setting screw (1) and main adjustment screw (2)

Idle speed and mixture adjustment



29 Before carrying out any adjustments, the engine must be at operating temperature, the fan having cut in at second speed and then switched off.

30 Release the locknut and turn the main idle speed screw in the throttle valve housing until the engine idles at the specified speed. This should be all that is necessary to obtain the correct idle speed, as the throttle valve plate base setting is set during production. However, if wear has taken place, or incorrect adjustment has been carried out previously, proceed in the following way.

31 Disconnect the intake duct from the throttle valve housing. Release the locknut on the base (small) adjusting screw, and turn the

screw until there is a clearance between the lower edge of the throttle valve plate and the throat wall of between 0.05 and 0.1 mm (photos).

32 With the engine still at operating temperature, start the engine, and having released the locknut, turn the main (large) idle speed screw fully clockwise to close the bypass passage.

33 Now turn the base (small) screw until the engine idles at between 700 and 800 rpm. Tighten the locknut.

34 Finally, turn the main (large) adjusting screw to give an idle speed of between 800 and 900 rpm.

35 It is unlikely that the mixture will require alteration, but if it does, connect an exhaust gas analyser to the car in accordance with the equipment manufacturer's instructions.

36 With the engine at operating temperature, prise out the tamperproof cap, and turn the mixture screw, which is located in the airflow meter, until the CO level is as given in the Specifications. Turning the screw clockwise richens the mixture, turning it anti-clockwise weakens the mixture. Use a close-fitting Allen key for the adjustment (photo).



9C.31C Checking throttle valve plate opening with a feeler blade



9C.36 Using an Allen key to adjust the mixture (CO level)

Fuel injection system - electrical tests



37 When carrying out checks to trace a fault in the system, an ohmmeter should be used for the following tests.

38 Disconnect the multipin connector from the ECU, and also the one from the system control relay, and apply the probes of the ohmmeter in accordance with the following sequence to check for continuity in the

cables. The component wiring plug will of course be disconnected for the test.

ECU connector plug terminal	Component connector plug terminal
1	1 of ignition coil
2	2 of throttle position switch
3	3 of throttle position switch
4	50 of ignition switch
5	Earth
5	5 of airflow meter
7	7 of airflow meter
8	8 of airflow meter
9	9 of airflow meter
9	9 of throttle position switch
9	18 of supplementary air valve
9	87 main relay socket
10	10 of coolant temperature sensor
12	Injector terminals
13	Earth

System control relay connector plug terminal	Component connector plug terminal
1	1 of ignition coil
15	15 of ignition switch
30	Battery positive
31	Earth
50	50 of ignition switch
87	Injector terminals
87	18 of throttle position switch
87	9 of ECU multipin socket
87b	Fuel pump (fused)

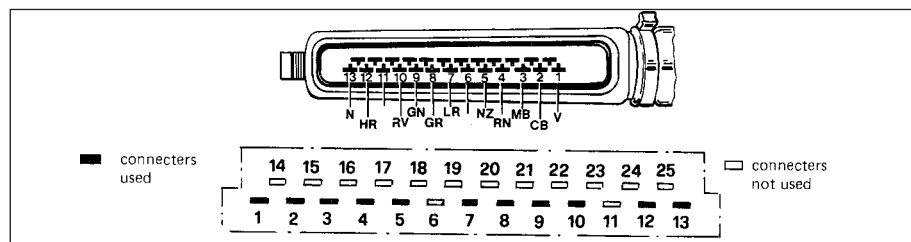


Fig. 13.42 ECU and component connector plug terminals - 1301 cc Turbo ie engine (Sec 9C)

For colour code see main wiring diagrams

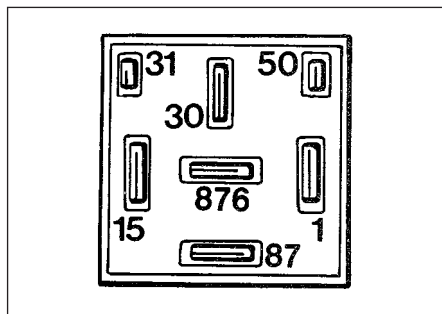


Fig. 13.43 System control relay connector plug terminals 1301 cc Turbo ie engine (Sec 9C)

39 Now use the ohmmeter to check the resistance of the following components.

Supplementary air valve

40 Resistance between the terminals should be between 40 and 60 ohms at 20°C (68°F).

Airflow meter

41 Resistance between terminals 5 and 8 of the potentiometer should be between 330 and 360 ohms at 20°C (68°F).

42 Resistance between terminals 8 and 9 of the internal circuit should be between 190 and 210 ohms at 20°C (68°F) and between 170 and 190 ohms at 60°C (140°F).

Coolant temperature sensor

43 At 20°C (68°F) the resistance should be between 2 and 4 k ohms. At 50°C (122°F) the resistance should be between 600 and 900 ohms. At 90°C (194°F) the resistance should be between 100 and 300 ohms.

Fuel injectors

44 The winding resistance should be between 15 and 17 ohms at 20°C (68°F).

Throttle position switch

45 With the throttle butterfly valve closed, there should be continuity between terminals 18 and 2, and with the valve fully open, there should be no continuity between terminals 18 and 3.

46 The throttle position switch should not be disturbed unless absolutely necessary. If it has to be removed, then refit it so that the



9C.55A Disconnecting the duct from the air cleaner



9C.55B Removing the air cleaner casing upper bracket

microswitch is heard to click immediately the throttle butterfly is opened.

Fuel injection system - mechanical tests



Fuel pump

47 To test the pressure of the fuel pump, a pressure gauge will be required, connected into the fuel delivery hose.

48 Remove the multipin plug from the system control relay and bridge terminals 87b and 30.

49 Turn the ignition switch on. The pump should operate and indicate a pressure of between 2.8 and 3.0 bars (40 and 44 lbf/in²).

50 To check the operation of the peak pressure regulator, pinch the fuel return hose. If the fuel pressure increases, the regulator must be faulty, and should be renewed.

51 Check that the fuel pressure increases when, with the engine idling, the accelerator is depressed sharply.

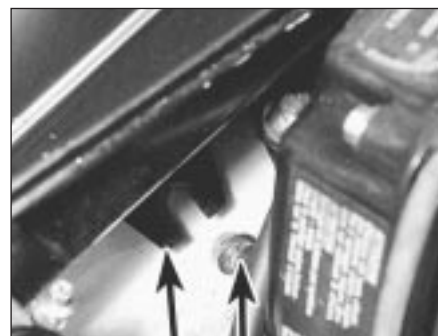
Supplementary air valve

52 With the engine at normal operating temperature and idling, pinch the supplementary air valve hose using a pair of pliers. The engine speed should not drop by more than 50 rpm. If it does, renew the valve.

Fuel injection system components - removal and refitting



53 Disconnect the battery before carrying out any of the following operations.



9C.55C Air cleaner casing lower bracket and bolt (arrowed)

Air cleaner

54 Remove the cover and filter element as previously described.

55 Disconnect the duct from the air cleaner casing, and then unbolt and remove the casing. Note that the lower bracket bolt need not be completely removed, only unscrewed, due to the design of the bracket. The air cleaner metal duct is routed over the top of the radiator (photos).

Airflow meter

56 Release the securing clip and disconnect the air intake duct (photo).

57 Release the securing clip and disconnect the air outlet duct (photo).

58 Disconnect the wiring plug.

59 Unscrew the fixing screws and remove the airflow meter from its mounting bracket.



9C.55D Air cleaner metal duct over radiator



9C.56 Air intake duct at airflow meter (securing clip arrowed)



9C.57 Air outlet duct securing clip removal from airflow meter



9C.60 Fuel pressure regulator



9C.70A Brake servo vacuum hose connection to inlet manifold



9C.70B Fuel pressure regulator vacuum hose connection at the inlet manifold

Fuel pressure regulator

60 Disconnect the vacuum hose from the regulator (photo).

61 Anticipate some loss of pressurised fuel, and then disconnect the fuel hose from the regulator. Unbolt and remove the unit.

Excessive air pressure switch

62 This is screwed into the end of the inlet manifold. Disconnect the electrical leads and unscrew the switch.

Coolant temperature sensor

63 This is screwed into the cylinder head and has wires connected to it. Drain the cooling system before commencing operations.

64 Disconnect the wiring plug and unscrew the sensor.

Throttle valve housing and inlet manifold

65 Disconnect the air inlet hose from the throttle valve housing, and also the supplementary air valve hose.

66 Disconnect the throttle control cable by swivelling the grooved sector and slipping the cable nipple from its recess.

67 Disconnect the wiring plug from the throttle position (potentiometer) switch.

68 Unbolt the fuel pressure regulator/wiring loom bracket, and also the wiring loom bracket at the other end of the inlet manifold. Move the wiring loom aside.

69 Unbolt and remove the throttle housing support bracket.

70 Disconnect the vacuum servo hose and the fuel pressure regulator vacuum hoses

from the inlet manifold (photos).

71 Disconnect the leads from the excessive air pressure switch.

72 Unscrew the inlet manifold fixing nuts. Note that double nuts are used at the ends of the manifold in order to secure the exhaust heat shield (photo). The shield should be released and lowered to rest on the exhaust manifold.

73 Unscrew and remove the remaining two nuts now exposed by lowering the heat shield and lifting the inlet manifold away (photo).

74 If necessary, the injectors and cooling tube can be withdrawn, and the two twin inlet pipe stubs removed. These are retained with the exhaust manifolds using nuts and washers (photo).

Fuel rail and injectors

75 Disconnect the fuel delivery hose from the fuel rail by unscrewing the union nut (photo). Be prepared for some loss of pressurised fuel.

76 Disconnect the fuel return hose.

77 Unbolt the fuel pressure regulator and the wiring loom brackets (photo).

78 Disconnect the air intake hose from the throttle valve housing, and then unbolt and remove the throttle valve housing support bracket (photo).

79 Disconnect the hose from the injector cooling fan, and also disconnect the fan thermo-switch on the underside of the injector cooling air duct (photo). Disconnect the injector wiring plugs, and then slide out the injector cooling air duct.



9C.72 Double nuts at the end of the inlet manifold



9C.73 Removing the inlet manifold



9C.74 Removing an inlet manifold twin pipe stub



9C.75 Disconnecting the fuel delivery hose union



9C.77 Wiring loom clip and bracket



9C.78 Throttle valve housing support bracket



9C.79 Fan thermostatic switch on underside of injector cooling air duct (duct removed for clarity)



9C.80A Extracting a fuel injector screw

80 The injector retaining plate socket-headed screws may now be removed using an Allen key. Withdraw the fuel injectors and insulators (photos).

81 New injectors, complete with the fuel rail, must be purchased as an assembly. Always use new seals when refitting the injectors and the insulators (photos).

Electronic control unit (ECU)

82 The ECU is located under the right-hand side of the fascia panel.

83 Pull off the multipin connector plug and extract the fixing screws (photo).

System control relay

84 This is located adjacent to the airflow meter. Pull off the multipin connector and release the relay fixing (photo).

Fuel injector cooling fan

85 This is located low down on the left-hand side of the radiator (photo).

86 Remove the spiral-wire-wound hose which connects with the injector cooling duct.

87 Pull off the wiring plug, and unbolt and remove the fan.

Supplementary air valve

88 Disconnect the hoses and wiring plug from the valve, which is located on the front face of the engine (photos).

89 Unscrew the mounting bracket screws and withdraw the valve.



9C.80B Fuel injector removal



9C.81A Fuel injectors attached to fuel rail



9C.81B Fuel injector cooling air duct refitting



9C.81C Injector wiring plug refitting



9C.83 ECU multipin plug



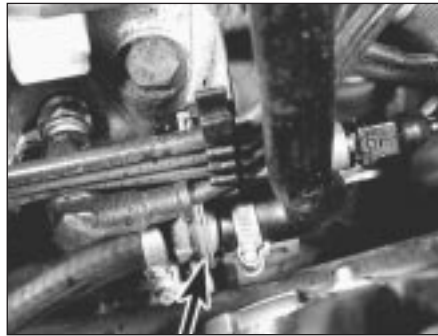
9C.84 Fuel injector system relay



9C.85 Fuel injector cooling fan



9C.88A Disconnecting the supplementary air valve hose from the inlet manifold



9C.88B Supplementary air valve (arrowed)



9C.90 Throttle position switch (wiring plug arrowed)

Throttle position switch (potentiometer)

90 This is located on the left side of the throttle valve housing (photo).

91 Disconnect the wiring plug, unscrew the two fixing screws and withdraw the switch.

Fuel filter

92 Unscrew the fuel line banjo unions from the filter, which is located in the right-hand rear corner of the engine compartment. Be prepared for some loss of pressurised fuel, and mop it up with rags.

Fuel pump

93 The fuel pump can be removed from its location beside the fuel tank after

disconnecting the fuel hoses and wiring plug, and then releasing the mounting clamp.

Refitting all components

94 Refitting of all components is a reversal of removal, but observe the following points.

95 Use new seals and gaskets as applicable, noting that three rubber seals are used on each fuel injector and insulator (photos).

96 Adjust the throttle position switch as described in paragraph 46 of this Section.

97 When refitting a new fuel filter, make sure that the arrow marked on it is in the direction of the fuel flow.

98 Apply gasket cement to the threads of the coolant temperature sensor.

Throttle control linkage - general

99 This is of the cable and rod type. Adjust the cable by means of the end fitting and nut, to give the slightest play in the cable when the plastic socket is engaged with the ball on the link rod which runs across the camshaft cover (photos).

100 Keep the cross-shaft pivots and return springs lubricated.

Fuel tank - general

101 The fuel tank is of metal construction, but note the plastic anti-blow-back compartment between the filler cap and the tank. This is accessible from under the right-hand wheel arch (photo).



9C.95A Fuel injector large seal



9C.95B Fuel injector small seal



9C.95C Fuel injector insulator seal



9C.95D Inlet pipe stub gasket



9C.99A Throttle cable and end fitting (primary section)



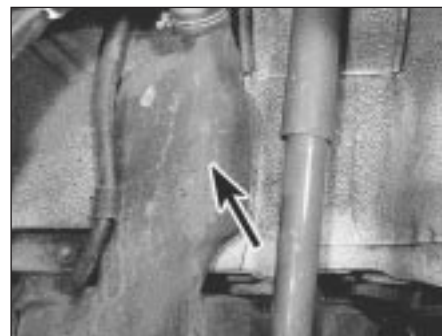
9C.99B Throttle cable (secondary section) and cross-shaft



9C.99C Throttle cable nipple (arrowed) in throttle linkage cut-out



9C.99D Throttle cable balljoint retaining spring clip (arrowed)



9C.101 Fuel tank anti-blow-back compartment (arrowed)

PART D: BOSCH MONO-JETRONIC FUEL INJECTION SYSTEM



Warning: Refer to the beginning of this Section before starting any work.

Description

1 The Bosch Mono-Jetronic fuel injection system fitted to the 1372 cc ie engine and later 999/1108 'FIRE' models is an electronically-controlled single point injection (SPi) system. The SPi system is a compromise between a conventional carburettor fuel supply system and a multi-point fuel injection (MPI) system.

2 Compared with a conventional carburettor, the SPi unit is a relatively simple device. Fuel is pumped to the SPi unit and then injected into the inlet system by a single solenoid valve (fuel injector), mounted centrally on top of the unit. The injector is energised by an electrical signal sent from the electronic control unit (ECU), at which point the injector pintle is lifted from its seat and atomised fuel is delivered into the inlet manifold under pressure. The electrical signals take two forms of current; a high current to open the injector and a low current to hold it open for the duration required. At idle speed the injector is pulsed at every other intake stroke rather than with every stroke as during normal operation.

3 The air-to-fuel mixture ratio is regulated by values obtained from the ignition coil (engine speed), engine coolant temperature sensor, throttle position switch, and the Lambda sensor in the exhaust system. No adjustments to the fuel mixture are possible.

4 The throttle position switch enables the ECU to compute both throttle position and its rate of change. Extra fuel can then be provided for acceleration when the throttle is suddenly opened. Throttle position information, together with the idle tracking switch, provide the ECU with the closed throttle position information.

5 The 1372 cc ie system layout and principal components are shown in Figs. 13.44 and

13.45. Note that the Digiplex 2 electronic ignition, is not fitted to FIRE models (999/1108 cc).

6 The fuel system pump is immersed in the fuel tank and forms a combined unit with the fuel level sender unit. A cartridge type in-line fuel filter is fitted to the fuel line, and is located in the engine compartment.

7 The fuel pressure in the system is controlled by a mechanical diaphragm

regulator in the injection unit turret. High pressure in the system causes the diaphragm to operate and excess fuel is returned to the fuel tank.

8 The air intake temperature and volume is regulated to ensure the correct mixture ratio under all operating conditions. The temperature of the air passing through the injection unit is measured by a sensor which transmits such information to the ECU for the

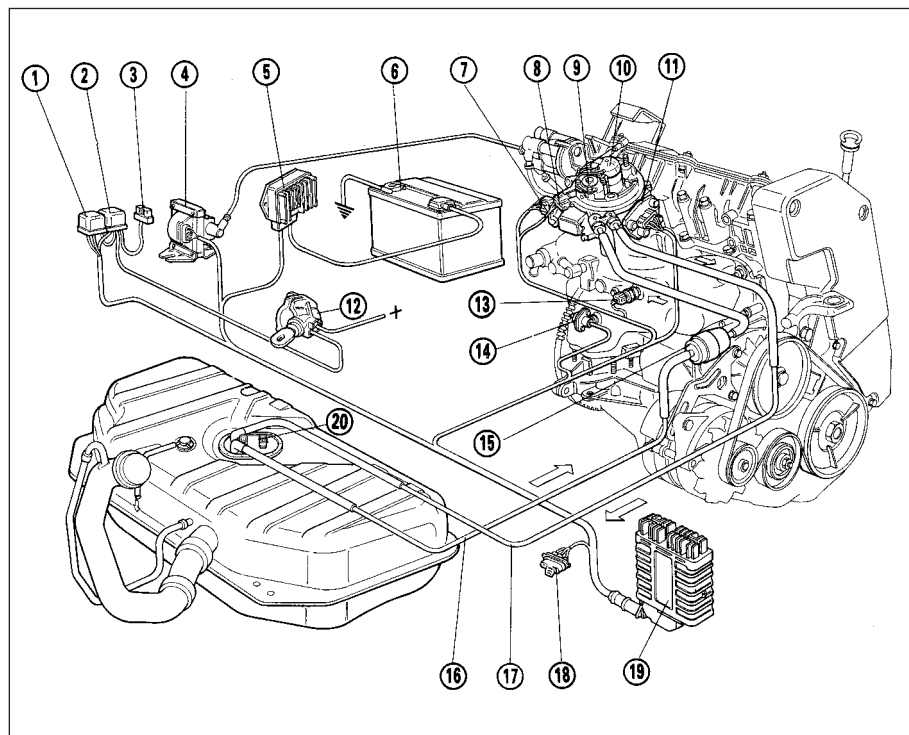


Fig. 13.44 Bosch Mono-Jetronic fuel injection system components and layout on the 1372 cc ie engine (Sec 9D)

- | | | |
|-----------------------------|--------------------------------|--------------------------------|
| 1 Fuel pump relay | 9 Fuel pressure regulator | 15 Secondary fuel filter |
| 2 Injection system relay | 10 Injector | 16 Fuel supply pipe |
| 3 Fuel pump fuse | 11 Throttle position switch | 17 Fuel return pipe |
| 4 Ignition coil | 12 Ignition switch | 18 Diagnostic socket |
| 5 Digiplex 2 ECU | 13 Coolant temperature sensor | 19 Fuel injection ECU |
| 6 Battery | 14 Engine speed and TDC sensor | 20 Fuel pump/level sender unit |
| 7 Idle speed check actuator | | |
| 8 Injector connector | | |

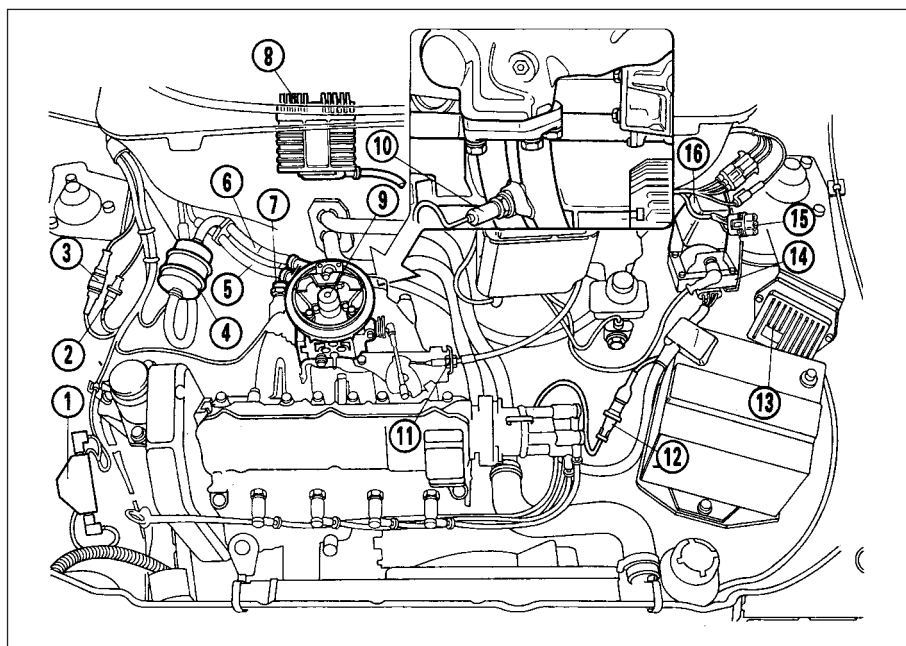
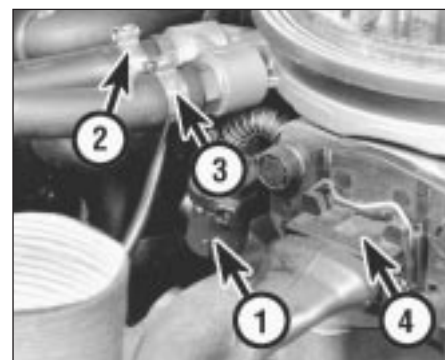


Fig. 13.45 Mono-Jetronic fuel injection component locations in the engine compartment - 1372 cc ie engine (Sec 9D)

- | | |
|-----------------------------------|--|
| 1 Injector resistor | 9 Injector holder turret |
| 2 Lambda sensor signal connector | 10 Lambda sensor |
| 3 Lambda sensor heating connector | 11 Nut for adjusting accelerator cable |
| 4 Secondary fuel filter | 12 Engine speed and TDC sensor connector |
| 5 Fuel return pipe | 13 Ignition control unit |
| 6 Fuel supply pipe | 14 Ignition coil |
| 7 Coolant temperature sensor | 15 Diagnostic socket |
| 8 ECU | 16 Fuel pump relay and system relay |



9D.8 Atmospheric air intake for air temperature sensor (1). Also shown are the supply and return fuel line connections (2 and 3) and the throttle position sensor (4)

necessary processing (photo). A conventional paper type air filter element is used and this must be renewed at the specified intervals.

9 The ECU is specific to the model type, its function being to control the fuel system under all operating conditions, including starting from cold - it enriches the fuel mixture as required but at the same time prevents flooding. As the engine temperature rises, the injection impulses are progressively reduced until the normal operation temperature is reached.

10 An integral emergency system enables the fuel injection system to remain operational in the event of any of the following components malfunctioning. These items are the coolant temperature sensor, the air intake sensor, the Lambda sensor, the idle speed check actuator and the throttle position switch. In the event of the throttle position switch malfunctioning, the fuel system becomes automatically inoperative.

11 The catalytic converter fitted in the exhaust system minimises the amount of pollutants which escape into the atmosphere. The Lambda sensor in the exhaust system provides the fuel injection system ECU with constant feedback which enables it to adjust the mixture to provide the best possible conditions for the converter to operate. The fuel tank ventilation is contained within the system. This is done by feeding any excess vapours through a carbon filter back into the engine intake, using solenoids and valves, as shown in Fig. 13.46.

Maintenance

12 Regularly check the condition and security of the system hoses and connections. Also check the system wiring connections for condition and security.

13 At the specified intervals, renew the air cleaner element and the fuel filter.

Fuel filter - renewal

14 The in-line fuel filter is secured to the right-hand suspension turret in the engine compartment. To remove the filter, first depressurize the fuel in the system as described later in this Part.

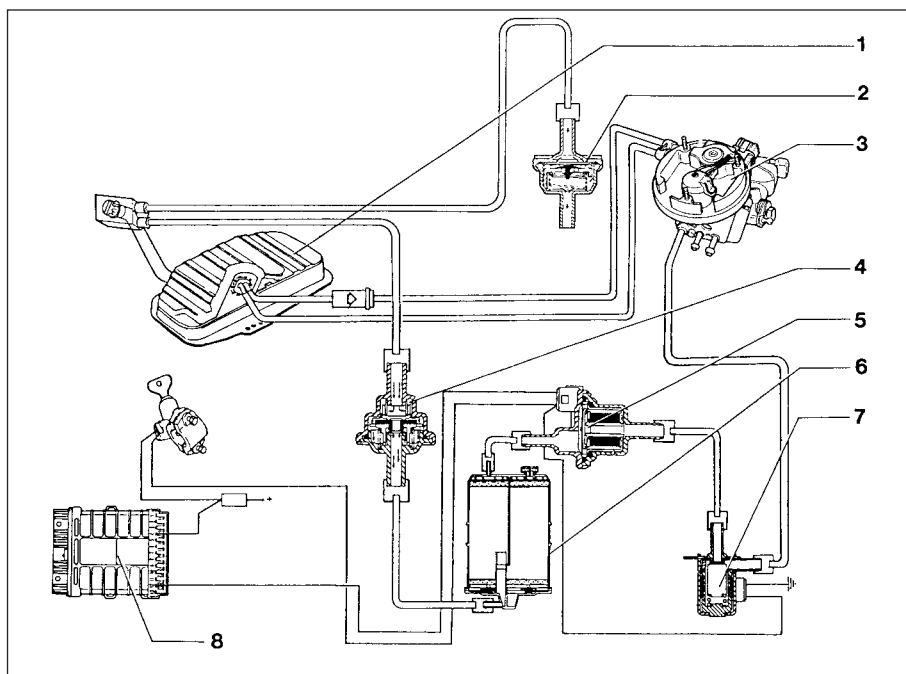


Fig. 13.46 Fuel evaporation control system (Sec 9D)

- | | | |
|------------------------|-----------------------------|-----------------|
| 1 Fuel tank | 4 Two-way vapour vent valve | 6 Carbon filter |
| 2 Two-way safety valve | 5 Vapour cut-off solenoid | 7 Elbi solenoid |
| 3 Throttle body | 8 ECU | |



9D.15 Secondary fuel filter element



9D.17A Release the air cleaner end cover retaining clips . . .



9D.17B . . . remove the cover and extract the element

15 Undo the retaining strap bolt and withdraw the filter from its location bracket. Disconnect the inlet and supply hose from the filter. If crimp connectors are fitted they will have to be cut free and new screw type clips fitted (photo).

16 Connect the hoses to the new filter ensuring that the filter is correctly orientated (the arrow mark on the body indicates the direction of fuel flow). Ensure that the hose clips are secure before refitting the filter into the retaining strap and securing the retaining bolt. When the engine is restarted, check the hose connections to ensure that there is no fuel leakage from them.

Air cleaner element - renewal



17 Release the spring clip each side at the front of the air cleaner, then unscrew and remove the two screws from the top front face of the housing. Withdraw the end cover and element from the filter unit (photos).

18 Wipe any dirt from within the casing then locate the new element and refit it together with the end cover.

Idle speed and mixture adjustment



19 No manual idle speed and/or mixture adjustments to this type of fuel system are necessary or possible. Any such adjustments are automatically made by the ECU. If the engine idle speed and/or mixture adjustment is suspect, it must be checked using CO measuring equipment; a task best entrusted to a FIAT dealer or a competent garage. The most probable cause of a malfunction is likely to be a defective sensor or incorrectly adjusted accelerator control cable.

Accelerator control system - check and adjustment



20 To check the adjustment of the accelerator control system, it is essential that

the engine is at its normal operating temperature. This is achieved by running the engine for a period of about fifteen minutes, by which time the cooling fan should have cut into operation several times. At this point, stop the engine, turn the ignition key to the OFF position and proceed as follows.

21 Remove the air cleaner unit.

22 Place a 10 mm shim (X) between the adjustment screw and the cam lever (between items 1 and 2 in Fig. 13.47), on the throttle body. This will open the throttle butterfly by 20°.

23 Loosen off the locknuts (C1 and C2) from each linkage end. Insert another 10 mm shim (Y) between the cable support bracket and the nut (C1). Carefully tighten the nut against the shim, ensuring that the cam does not move whilst making the cable slightly taut.

24 Remove the shim (Y) and carefully tighten the nut (C2) against the bracket without allowing the nut (C1) to move. Remove the shim (X) and release the accelerator pedal. Check that the butterfly is completely open when the the pedal is fully depressed.

Fuel system depressurisation



Warning: Refer to the beginning of this Section before starting any work.

25 The fuel system should always be depressurised whenever any fuel hoses and/or system components are disconnected and/or removed. This can easily be achieved as follows.

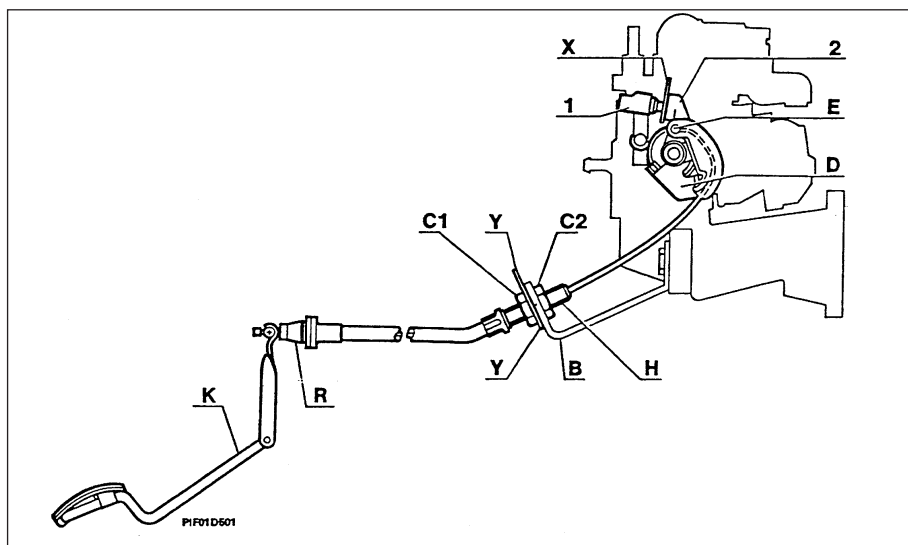
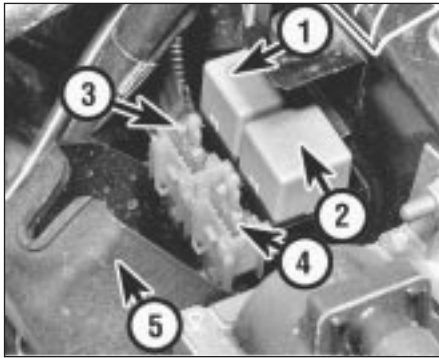


Fig. 13.47 Accelerator linkage and butterfly control lever - SPI models (Sec 9D)

- | | | |
|------------|--------------|--------------------|
| A Cable | E Pawl | X Shim |
| B Bracket | H Protection | Y Shim |
| C1 Locknut | K Pedal | 1 Adjustment screw |
| C2 Locknut | R Bush | 2 Cam lever |
| D Pulley | | |



9D.22 Accelerator control rod and cable connections



9D.26 Fuel pump relay (1), injection control relay (2), Lambda sensor fuse (3) and pump fuse (4) with cover (5) removed

26 Loosen off the knurled retaining nut and remove the cover from the fuel pump relay. This is located on the left-hand suspension turret in the engine compartment (photo).

27 Carefully pull free the fuel pump relay, then start the engine and run it until it stops (photo). The fuel system is now depressurised. Turn the ignition off before removing/dismantling any components.

28 Do not refit the fuel pump relay or turn the ignition on until the system is fully reconnected. When the engine is ready to be restarted, refit the relay and its cover, then restart the engine in the normal manner.

Fuel pump and supply system checks



29 Specialised equipment is required to undertake accurate tests in the fuel supply system and such checks must therefore be entrusted to a FIAT dealer or a fuel injection specialist. If the fuel pump is suspected of malfunction, a basic check can be made by removing the fuel filler cap then listening through the filler pipe, get an assistant to turn on the ignition whilst you listen to hear if the pump is heard to operate in the tank. If the pump fails to operate, check that the pump fuse is sound and that its connection (and also that of the relay) are clean and secure.

30 The pump can be further checked by first depressurising the fuel system as described in the previous sub-Section, then disconnect the fuel supply pipe at the injector unit and locate



9D.27 Fuel pump relay removal

it in a suitable container. With the fuel pump relay removed, connect up a suitable test lead with a 7.5 amp (10 amp on models with catalyst) fuse, in series, to the relay terminals 30 and 87, and check that fuel flows into the container from the supply pipe (photo). If a suitable pressure gauge is available for connecting into the fuel line between the engine compartment fuel filter and the injection unit, check that the fuel pressure is as specified at the beginning of this Chapter.

31 If the pump fails to operate, check that the battery is in good condition and that the pump wiring connections are clean and secure before condemning the pump. To remove the pump unit from the fuel tank, proceed as described in the following sub-Section.

Fuel pump - removal and refitting

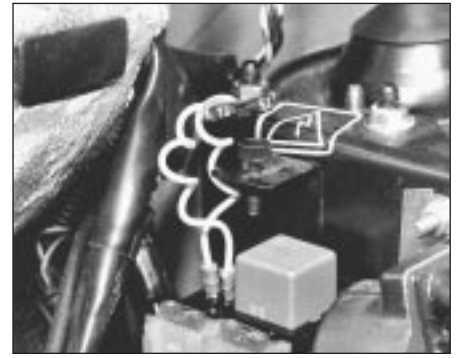


32 Release the pressure from the fuel system as described previously.

33 Move the front seats forward, then tilt the rear seat cushions forward. Peel back the luggage area floor cover from the right-hand side towards the centre to expose the access cover above the pump/sender unit in the floor. Remove the access cover.

34 Detach the wiring connectors from the pump unit and the fuel level sender unit.

35 Loosen off the hose retaining clips and detach the fuel supply and return hoses from the pump unit connections. Mark the hoses



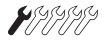
9D.30 Test lead connected to relay terminals 30 and 87

for identity to avoid incorrect attachment during refitting.

36 Unscrew the retaining nuts then carefully lift out and withdraw the fuel pump/level sender unit from the fuel tank.

37 Refitting is a reversal of the removal procedure. A new seal gasket must be used and it is important to ensure that all connections are securely and correctly made.

Injector unit - removal and refitting



38 Depressurise the fuel system as described previously, then disconnect the battery negative lead.

39 Remove the air cleaner unit and the rubber seal (photo).

40 Disconnect the engine idle speed check actuator lead and the throttle position switch lead from the side faces of the injector unit.

41 Undo the retaining clips and detach the fuel supply and return hose from the injector unit. If crimped type retaining clips are fitted, they will have to be carefully cut free and new screw type clips obtained to replace them. Take care not to cut into the hoses when releasing the crimped type clips.

42 Detach the crankcase ventilation hose from the fuel injector unit.

43 Disconnect the accelerator linkage at the throttle lever on the injector unit.

44 Undo the four retaining screws and lift the injector unit from the inlet manifold. Remove the gasket (photo).

45 Clean the injector unit and the inlet manifold mating faces.

46 Refit in the reverse order of removal.

Intake air temperature sensor - removal and refitting



47 The air temperature sensor is located in the top of the injector unit. It is basically a resistor which varies its value in accordance with the air temperature entering the induction circuit from the air filter. The sensor can then transmit the registered air temperature at this point to the ECU temperature sensor (2).

48 Remove the air cleaner unit and its mounting bracket in the injector.

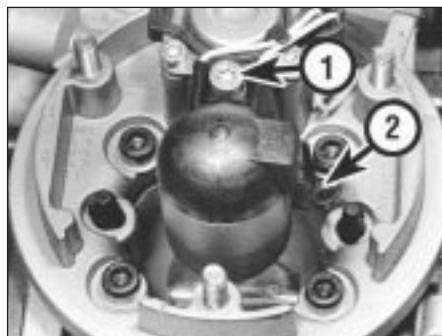
49 Disconnect the wiring connector from the



9D.39 Removing the filter seal from the injector unit



9D.44 Injector unit retaining screws (arrowed)



9D.49 Fuel injector unit sensor retaining screw (1). Also shown is the intake air temperature sensor (2)

air temperature sensor. Undo the retaining screw and remove the sensor from the injector unit (photo).

50 Refit in the reverse order of removal.

Fuel injector - removal and refitting

51 Depressurise the fuel system as described previously, then disconnect the battery negative lead.

52 Remove the air cleaner unit.

53 Release the injector feed wiring multiplug and detach it from the injector.

54 Bend over the locking tabs retaining the injector screws, then undo and remove the screws. Withdraw the injector retaining collar, then carefully withdraw the injector (noting its orientation) followed by its seal.

55 Refit in the reverse order of removal. Always use new seals in the unit and the retaining collar and lightly lubricate them with clean engine oil prior to assembly. Take care not to damage the seals when fitting and also when the injector is fitted; check that it engages correctly.

Fuel injection electronic control unit (ECU) - removal and refitting

56 The control unit is located under the fascia on the driver's side of the vehicle. Commence by disconnecting the battery negative lead.

57 To gain access to the control unit, detach and remove the trim panel from the underside of the fascia on the driver's side of the car.

58 Disconnect the wiring multiplug from the control unit, then undo the retaining screw and remove the unit from the car (photos).

59 Refit in the reverse order of removal.

Inlet manifold - removal and refitting

60 Remove the fuel injector unit as described previously.

61 Drain the cooling system as described in Section 8 of this Chapter.

62 Detach the coolant hose and coolant temperature sensor from the inlet manifold.

63 Unbolt and remove the accelerator cable/throttle linkage support bracket from the top of the inlet manifold. The cable can be left attached to the bracket.



9D.58A Detach the multiplug (arrowed) . . .

64 Detach the brake servo vacuum hose from the connector on the manifold.

65 Unscrew and remove the inlet manifold securing bolts and nuts and remove the manifold from the cylinder head. As they are removed, note the location of the fastenings and their spacers.

66 Remove the gasket and clean the mating faces of the manifold and the cylinder head. The gasket must be renewed when refitting the manifold.

67 Refitting is a reversal of the removal procedure. Ensure that the spacers are correctly located (where applicable) and tighten the retaining bolts and nuts to the specified torque settings.

Exhaust manifold - removal and refitting

68 Remove the inlet manifold as described previously (1372 cc models only).

69 Disconnect the Lambda sensor lead (photo).

70 Raise and support the car at the front end on axle stands to allow sufficient clearance to work underneath the car and disconnect the exhaust downpipe from the manifold.

71 Straighten the tab washers, then unscrew and remove the exhaust downpipe-to-manifold retaining nuts (photo). Detach the downpipe from the manifold. Support the downpipe so that the Lambda sensor will not get knocked and/or damaged.



9D.69 Lambda sensor in exhaust downpipe



9D.58B . . . for access to the ECU retaining screw (arrowed)

72 Undo the manifold-to-cylinder head securing bolts/nuts and withdraw and remove the manifold and heat shield.

73 Remove the gasket and clean the mating faces of the manifold, cylinder head and downpipe flange. The gasket must be renewed when refitting the manifold.

74 Refitting is a reversal of the removal procedure. Tighten the retaining bolts/nuts to the specified torque setting.

Catalytic converter - general information

75 The catalytic converter is a reliable and simple device which needs no maintenance in itself, but there are some facts of which an owner should be aware if the converter is to function properly for its full service life.

- a) *DO NOT use leaded petrol in a car equipped with a catalytic converter - the lead will coat the precious metals, reducing their converting efficiency and will eventually destroy the converter.*
- b) *Always keep the ignition and fuel systems well-maintained in accordance with the maintenance schedule - particularly, ensure that the air cleaner filter element the fuel filter and the spark plugs are renewed at the correct interval - if the intake air/fuel mixture is allowed to become too rich due to neglect, the unburned surplus will enter and burn in the catalytic converter, overheating the element and eventually destroying the converter.*



9D.71 Exhaust downpipe to manifold flange connection showing retaining nuts and locktabs

- c) If the engine develops a misfire, do not drive the car at all (or at least as little as possible) until the fault is cured - the misfire will allow unburned fuel to enter the converter, which will result in its overheating, as noted above.
- d) DO NOT push- or tow-start the car - this will soak the catalytic converter in unburned fuel, causing it to overheat when the engine does start - see b) above.
- e) DO NOT switch off the ignition at high engine speeds - if the ignition is switched off at anything above idle speed, unburned fuel will enter the (very hot) catalytic converter, with the possible risk of its igniting on the element and damaging the converter.
- f) DO NOT use fuel or engine oil additives - these may contain substances harmful to the catalytic converter.
- g) DO NOT continue to use the car if the engine burns oil to the extent of leaving a visible trail of blue smoke - the unburned carbon deposits will clog the converter passages and reduce its efficiency; in severe cases the element will overheat.
- h) Remember that the catalytic converter operates at very high temperatures and the casing will become hot enough to ignite combustible materials which brush against it. DO NOT, therefore, park the car in dry undergrowth, over long grass or piles of dead leaves.
- i) Remember that the catalytic converter is FRAGILE - do not strike it with tools during servicing work, take great care when working on the exhaust system, ensure that the converter is well clear of any jacks or other lifting gear used to raise the car and do not drive the car over rough ground road humps, etc., in such a way as to ground the exhaust system.
- j) In some cases, particularly when the car is new and/or is used for stop/start driving, a sulphurous smell (like that of rotten eggs) may be noticed from the exhaust. This is common to many catalytic converter-equipped cars and seems to be due to the small amount of sulphur found in some petrols reacting with hydrogen in the exhaust to produce hydrogen sulphide (H₂S) gas: while this gas is toxic, it is not produced in sufficient amounts to be a problem. Once the car has covered a few thousand miles the problem should disappear - in the meanwhile a change of driving style or of the brand of petrol used may effect a solution.
- k) The catalytic converter, used on a well-maintained and well driven car, should last for at least 50 000 miles (80 000 km) or five years - from this point on, careful checks should be made at all specified service intervals on the CO level to ensure that the converter is still operating efficiently - if the converter is no longer effective it must be renewed.

Fuel evaporation control system - general

76 As mentioned earlier, fuel evaporation is contained within the system. In high outdoor temperatures, when the vehicle is parked for a period of time, the fuel in the tank evaporates, building up pressure. When the pressure builds up to a predetermined level a vent valve opens to allow the vapours to pass on to and absorbed by a carbon filter. However, if extreme pressure or vacuum should build up, a two way safety valve opens to allow external venting.

77 If the safety valve needs replacing, note that it must be fitted correctly. The black end should be connected to the fuel tank and the blue to the carbon filter.

78 The vapours in the carbon filter are flushed by warm air passing through the filter on to a ECU controlled vapour cut-off solenoid.

79 The cut-off solenoid is closed when starting the engine and opens to allow vapours to be drawn into the inlet manifold, through a second solenoid. If the cut-off solenoid needs replacing ensure that the black arrow on the casing is pointing towards the inlet manifold.

80 The second solenoid, known as an Elbi solenoid, is closed when the engine is turned off, thus preventing engine run-on. The side facing connection is for the inlet manifold pipe.

PART E: BOSCH L3.1/2 JETRONIC FUEL INJECTION SYSTEMS



Warning: Refer to the beginning of this Section before starting any work.

Description

1 A Bosch L3.1 (or L3.2, as fitted from 1992) Jetronic fuel injection system is fitted to the 1372 cc Turbo ie engine. The system circuit and main component locations are shown in Figs. 13.48 and 13.49.

2 The L3.1/2 Jetronic system is a multi-point fuel injection (MPI) system. It operates in a similar manner to that of the LE2-Jetronic system fitted to the 1301 cc Turbo ie engine described in Part C of this Section. The L3.1/2 system is more sophisticated and has the ability to provide reasonably efficient engine operation when system sensors malfunction. As with the LE2 system, the fuel and air supply mixture circuits are regulated in accordance with the electronic control unit (ECU), but on the L3.1/2 system the control unit is attached to the upper part of the airflow meter.

3 The ECU analyses the information passed to it from the system sensors. These signals are then processed and the air/fuel mixture is constantly adjusted as required to provide the

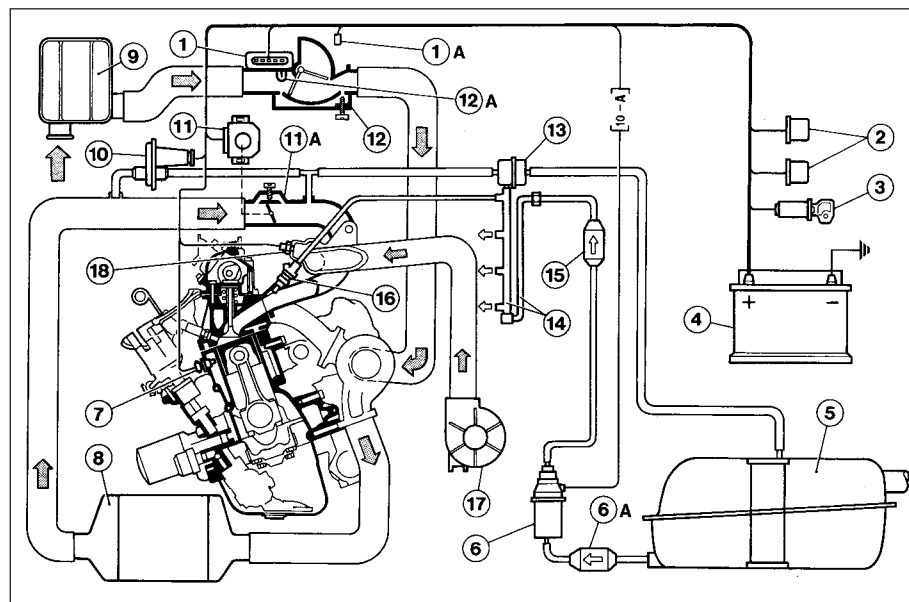


Fig. 13.48 Bosch L3.1 Jetronic fuel injection system - 1372 cc Turbo ie engine (Sec 9E)

- | | | |
|--|---|---|
| 1 ECU | 7 Coolant temperature sensor | 12A Intake air temperature sensor |
| 1A Diagnostic socket | 8 Intake air cooling radiator (intercooler) | 13 Fuel pressure regulator |
| 2 Injection system relay and fuel pump relay | 9 Air cleaner | 14 Fuel rail (to injectors) |
| 3 Ignition switch | 10 Supplementary air valve | 15 Secondary fuel filter |
| 4 Battery | 11 Throttle position switch | 16 Injectors |
| 5 Fuel tank | 11A Throttle housing | 17 Injector cooling fan |
| 6 Fuel pump | 12 Airflow meter | 18 Thermostatic switch (to engage injector cooling fan) |
| 6A Primary fuel filter | | |

optimum engine operating efficiency. In the event of a system sensor malfunction, errors in data passed to the ECU are overcome by an emergency operation, whereby the ECU supplies the injectors with one of two set injection periods independent of the sensors. One period (2.2 ms) is for idle speed and the other (2.5 ms) is for speeds above idle (actuated when the idle speed contact is opened).

4 An injection system relay and a fuel pump relay are fitted and are located in the engine compartment, adjacent to the ECU on the left-hand inner wing panel. In the event of the engine not being started within two seconds of the ignition being switched to the "ON" position, the fuel pump relay is deactivated. The fuel pump circuit fuse is located in the main fuse block located under the fascia within the car. **Note:** To avoid possible damage to the ECU, it is essential that the ignition is switched off before disconnecting (or connecting) the wiring multi-plug from the ECU. A Lambda (or oxygen) sensor is fitted to L3.2 equipped models, to measure exhaust gas oxygen content. In sending signals to the ECU, optimum catalyst operation is maintained.

Fuel system - depressurisation



5 The fuel system should always be depressurised whenever any fuel hoses and/or system components are disconnected and/or removed. This can easily be achieved as follows.

6 The fuel pump relay is located next to the ECU and airflow meter in the engine compartment. Carefully pull free the fuel pump relay, then start the engine and run it until it stops. The fuel system is now depressurised. Turn the ignition off before removing/dismantling any components.

7 Do not refit the fuel pump relay or turn the ignition on until the system is fully reconnected. When the engine is ready to be restarted, refit the relay and its cover, then restart the engine in the normal manner.

Maintenance



8 Regularly check the condition and security of the system hoses and connections. Also check the system wiring connections for condition and security.

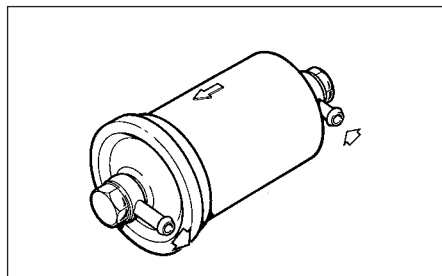


Fig. 13.50 Secondary fuel filter with arrows indicating direction of flow - 1372 cc Turbo ie engine (Sec 9E)

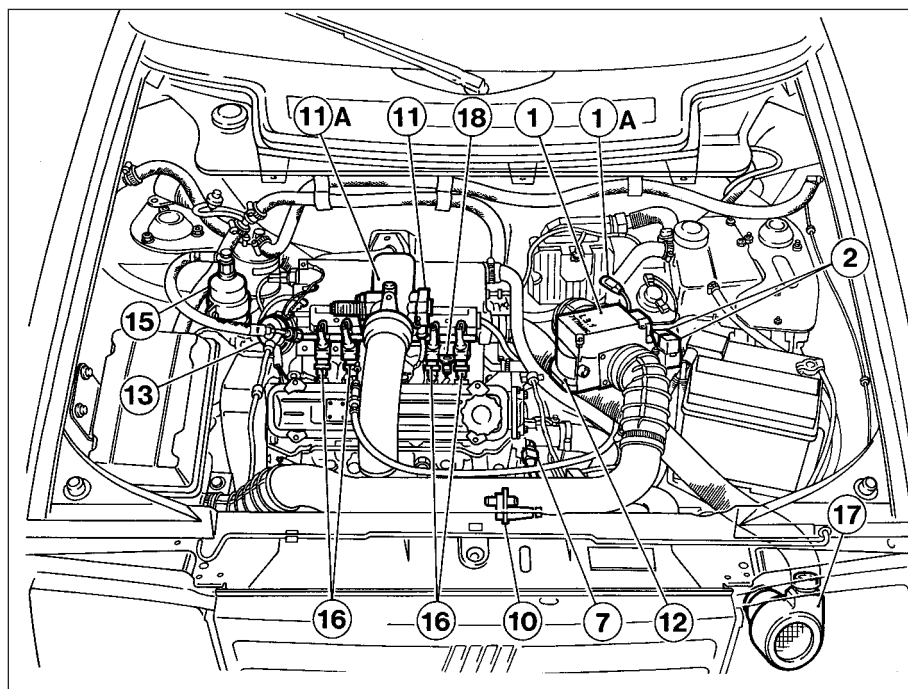


Fig. 13.49 Fuel injection system components layout in engine compartment on the 1372 cc Turbo ie engine (Sec 9E)

- | | | |
|---|-----------------------------|---|
| 1 ECU | 10 Supplementary air valve | 16 Injectors |
| 1A Diagnostic socket | 11 Throttle position switch | 17 Injector cooling fan |
| 2 Ignition system relay and fuel pump relay | 11A Throttle housing | 18 Thermostatic switch (to engage injector cooling fan) |
| 7 Coolant temperature sensor | 12 Airflow meter | |
| | 13 Fuel pressure regulator | |
| | 15 Secondary fuel filter | |

9 At the specified intervals, renew the air cleaner element and the fuel filter.

Fuel filter - renewal



10 This is located in the engine compartment on the right-hand side. Disconnect the fuel inlet and outlet hoses, but be prepared for the loss of fuel. Loosen off the clamp and remove the filter.

11 Reverse the removal procedure to fit the new filter, but ensure that the arrow indicating fuel flow is pointing towards the fuel injector rail.

Air cleaner element - renewal



12 Prise free the four retaining clips, then remove the cover and the air cleaner element.

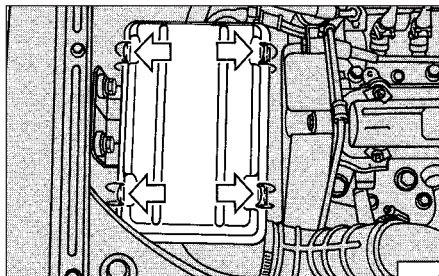


Fig. 13.51 Air cleaner cover securing clips (arrowed) on the 1372 cc Turbo ie engine (Sec 9E)

13 Wipe clean the inside surfaces of the air cleaner housing, then insert the new element, refit the cover and secure it with the four retaining clips.

Checks and adjustments

Engine idle speed and mixture adjustment

14 Before carrying out any adjustments, the engine must be at its normal operating temperature, the cooling fan having cut into

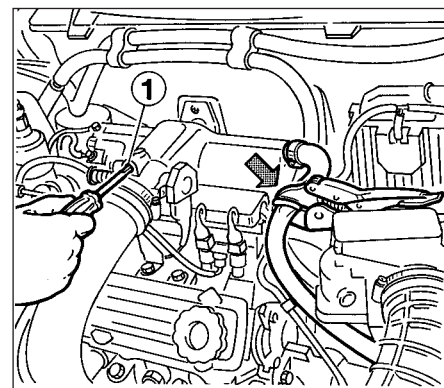


Fig. 13.52 Idle speed adjustment screw (1) on the 1372 cc Turbo ie engine (Sec 9E)

Note method of compressing the supplementary air valve pipe (arrowed)

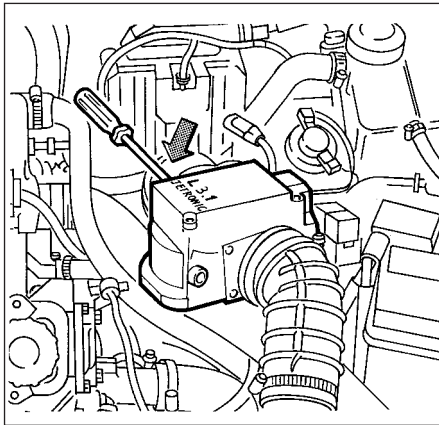


Fig. 13.53 Mixture adjustment screw location on the 1372 cc Turbo ie engine (Sec 9E)

operation twice. Also prior to making adjustments ensure that the supplementary air valve pipe is in good condition, with no leaks. Compress the air valve pipe using a pair of grips to prevent incorrect adjustment caused by a defective supplementary air valve.

15 The air cleaner must be connected when checking and/or adjusting the engine idle speed. To adjust, turn the adjuster screw in the required direction to set the engine idle speed to that specified.

16 It is unlikely that the mixture will require adjustment and unless this is proven by measuring the exhaust gases using a CO content analyser, its setting should not be altered. As with idle speed adjustment, the engine must be at its normal operating temperature when making this check and adjustment. It is also necessary to ensure that the ignition idle advance is as specified. Checking and adjustment must not be made with the engine cooling fan, air conditioning (where fitted) or other related items switched on.

17 If adjustment to the mixture is required, prise free the tamperproof plug from the front of the mixture adjustment screw in the control unit, then turn the screw as required. Turn the screw inwards (clockwise) to increase the CO content or outwards (anti-clockwise) to weaken it.

Throttle position switch adjustment

18 This switch will not normally require adjustment having been set during production. The switch should not be loosened off or reset unless absolutely necessary.

19 If a new switch is fitted it can be set by loosely fitting the securing bolts, turning the switch fully anti-clockwise, then clockwise until one of the internal contacts is felt to click into engagement. Hold the switch in this position and tighten the retaining screws. Reconnect the wiring multiplug to the switch.

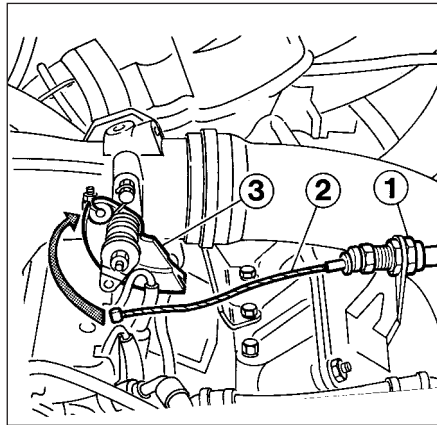


Fig. 13.54 Accelerator cable adjustment on the 1372 cc Turbo ie engine (Sec 9E)

- 1 Adjuster 3 Quadrant support
2 Inner cable

Accelerator cable adjustment

20 If the accelerator cable is removed or detached from the support bracket at the throttle control housing at any time, care must be taken to adjust it correctly. When the inner cable is connected to the throttle quadrant, set the outer cable in the bracket so that the inner cable has a minimal amount of free play, yet does not prevent the throttle valve from fully closing.

21 When the engine is restarted, check that the engine idle speed is as specified and that the action of the accelerator is satisfactory.

Fuel pump and supply system checks

22 Although the following basic checks can be made to the fuel pump and fuel supply system, specialised equipment is required to undertake full and accurate tests of the fuel supply system. Such checks must therefore be entrusted to a FIAT dealer or a fuel injection specialist.

23 If the fuel pump is suspected of malfunction, a basic check can be made by turning the ignition on and listening around the area of the pump unit to hear if it is operating. The pump is located on the underside of the car, just forward of the fuel tank. If the pump fails to operate, check that

the pump fuse is sound and that its connection (and also that the relay) are clean and secure.

24 The pump can be further checked as described previously for the LE2 fuel injection system fuel pump in Part C of this Section.

Supplementary air valve check

25 With the engine at its normal operating temperature, allow it to idle, then pinch the supplementary air valve hose using suitable pliers as shown in Fig. 13.52 and check to see if the engine speed drops by more than 50 rpm. If it does, the supplementary air valve is defective and in need of renewal.

Injection system components - removal and refitting



Warning: Refer to the beginning of this Section before starting any work.

26 With the exception of the items mentioned below, the various components of the fuel injection system are removed in the same manner as that described for the equivalent items in Part C of this Chapter.

27 Disconnect the battery negative lead before carrying out any of the removal and refitting operations. Where fuel lines are to be disconnected it will first be necessary to depressurise the injection system.

Airflow meter

28 Release the retaining clips and detach the air intake and outlet ducts from the airflow meter.

29 Ensure that the ignition is switched off, then disconnect the multiplug from the ECU. Unscrew the retaining bolts and remove the airflow meter complete with the ECU.

30 If required, the ECU can be separated from the airflow meter by undoing the securing bolts.

Throttle valve housing/inlet manifold

31 Loosen off the retaining clip and detach the air intake duct from the throttle housing, the air cooling hoses for the injectors and the supplementary air valve.

32 Detach the accelerator cable from the throttle linkage.



Fig. 13.55 Disconnecting the air intake duct and accelerator cable from the throttle housing on the 1372 cc Turbo ie engine (Sec 9E)

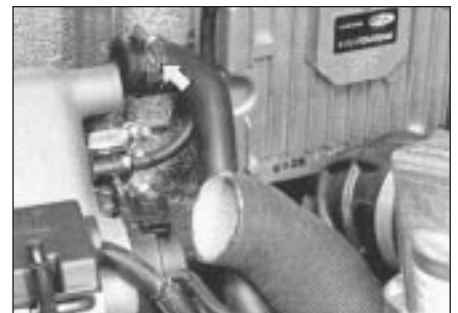


Fig. 13.56 Disconnecting the injector air cooling hoses and the supplementary air valve hose on the 1372 cc Turbo ie engine (Sec 9E)

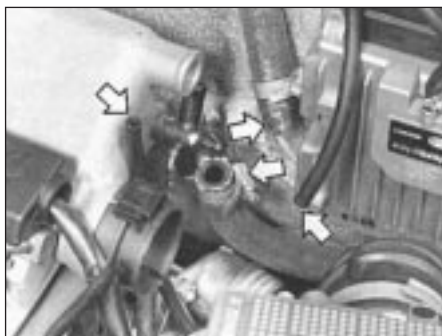


Fig. 13.57 Detach the vacuum pick-up pipes from the points arrowed on the 1372 cc Turbo ie engine (Sec 9E)

33 Detach the vacuum pick-up pipes from the points indicated in Fig. 13.57.

34 Detach the wiring connector from the throttle position switch.

35 Unscrew and remove the inlet manifold mounting bracket-to-cylinder head retaining bolt shown in Fig. 13.58.

36 Unscrew and remove the injector cable shield retaining screws. Detach the cables from the injectors.

37 Disconnect the earth leads and the air intake sensor lead shown in Fig. 13.59.

38 Release and withdraw the injector cable shield from the left-hand underside of the throttle housing.

39 Unscrew and detach the injector fuel supply pipe and disconnect the fuel pressure regulator pipe from its inlet manifold union.

40 Disconnect the injector cooling fan thermostatic switch lead.

41 Unscrew the securing bolts and remove the fuel pressure regulator.

42 Unscrew and remove the heat shield-to-exhaust manifold retaining bolts. Unscrew the retaining bolts at the rear and withdraw the heat shield.

43 Undo the inlet manifold retaining bolts/nuts and carefully withdraw the manifold/throttle housing. Remove the gasket from the mating face.

Injectors and fuel rail

44 Depressurise the system as described previously.



Fig. 13.60 Disconnecting the injector fuel supply pipe and fuel pressure regulator pipe on the 1372 cc Turbo ie engine (Sec 9E)



Fig. 13.58 removing the inlet manifold mounting bracket from the cylinder head on the 1372 cc Turbo ie engine (Sec 9E)

45 Disconnect the fuel supply line from the fuel rail.

46 Disconnect the fuel return line from the base of the fuel pressure regulator. Unbolt and remove the pressure regulator from the fuel rail.

47 Unscrew and remove the injector cable shield retaining screws. Detach the cables from the injectors.

48 Disconnect the fuel rail/injector unit and withdraw the fuel rail, together with the injectors, from the engine.

49 With the injectors and the fuel rail removed, one or more injectors can be removed and renewed as described below. Note that the connecting hoses will be destroyed during removal and these together with the injector seals will therefore need to be renewed.

Injector(s) and connecting hoses

50 Remove the injectors and the injector fuel rail as described in the previous sub-Section and secure the fuel rail in a vice, but do not overtighten.

51 Cut free the hose between the fuel rail and the injector. Make the cut in-line with the hose and cut the hose as close as possible to the fuel rail connection, then pull the hose free from its retaining cap. Once the hose is detached, the retaining cap is released.

52 Repeat the procedure and release the hose and its retaining cap from the injector.

53 Whether or not the injector unit itself is to



Fig. 13.61 Cutting free the hose from an injector on the 1372 cc Turbo ie engine (Sec 9E)



Fig. 13.59 Disconnecting the earth leads (arrowed) on the 1372 cc Turbo ie engine (Sec 9E)

be renewed, the injector O-ring seals must always be renewed when disturbed.

54 Check that the connections of the fuel rail and the injector are clean, then push the new injector with retaining cap onto the new hose. Ensure that the hose is fully located in the retaining cap.

55 Check that the fuel rail-to-hose retaining cap is located on the connector, then push the other end of the injector hose over the fuel rail connector. Ensure that the hose is fully located in the retaining cap.

56 The interconnecting hose between the fuel rail sections can be removed and renewed in the same manner as that described above for the injector hoses.

Electronic control unit (ECU)

57 The ECU is mounted on the top face of the airflow meter. Ensure that the ignition is switched off before disconnecting the multiplug from the ECU. Disconnect the wiring multiplug connector by compressing the tag and pulling the connector free from the unit. Undo the retaining screws and remove the ECU from the airflow meter. Handle the unit with care and if removed for an extensive period, store it in a safe place where it will not get knocked or damaged.

Fuel pump - removal and refitting

58 Depressurise the fuel system as described previously.

59 Raise the car at the rear and support it on axle stands. Detach and remove the

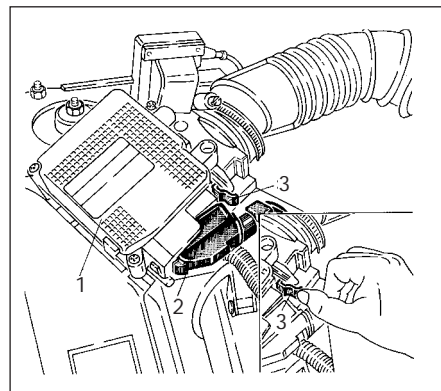


Fig. 13.62 ECU (1) wiring multiplug (2) and tag (3) - 1372 cc Turbo ie engine (Sec 9E)

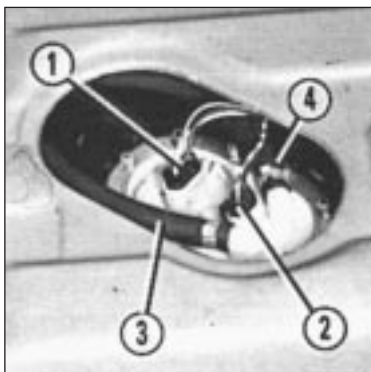


Fig. 13.63 Fuel pump and sender unit location on the 1372 cc Turbo ie engine (Sec 9E)

- 1 Fuel level gauge sender connector
- 2 Fuel pump connector
- 3 Fuel return hose
- 4 Fuel supply hose

protective shield to gain access to the pump which is located forward of the fuel tank.

60 Disconnect the fuel hoses and the wiring connector, release the retaining clamp and withdraw the pump unit.

Refitting all components

61 Refitting of all components is a reversal of the removal procedure, but note the following specific points.

62 Ensure that all components are clean prior to refitting and where applicable, use new seals and gaskets. Ensure that all connections

are securely and correctly made.

63 Do not reconnect the battery until all the refitting procedures are complete.

64 When the engine is restarted, check around the fuel injection system for any signs of leakage from the fuel supply and return components.

Lambda sensor - general

65 The sensor is screwed into the exhaust in front of the catalytic converter.

66 A faulty sensor can damage the converter, therefore it must be checked regularly (see Maintenance schedule, Section 3) by a dealer using special equipment.

67 Use of leaded fuel will also damage this sensor, as well the converter.

PART F: TURBOCHARGER SYSTEM

Description

1 A turbocharger is fitted to certain 1301 and 1372 cc ie engines. The accompanying photographs are all taken from a 1301 cc engine, but the system is much the same for both engine types.

2 The turbocharger is basically a shaft with an exhaust gas-driven turbine at one end, and a compressor located at the other end which draws in outside air and forces it into the inlet manifold. By compressing the incoming air, a larger charge can be let into each cylinder, and greater power output is achieved than with normal aspiration.

3 Lubrication of the turbocharger shaft bearings is provided by pressurised engine oil, and the unit is cooled by the coolant from the engine cooling system.

4 A wastegate valve is incorporated in the turbocharger to divert excessive exhaust gas pressure from the turbine into the exhaust pipe at a predetermined pressure level.

5 A maximum air pressure switch is located in the inlet manifold. Its purpose is to cut the ignition system off when the turbocharger system pressure continues to increase beyond 0.86 bars (12.5 lbf/in²). This would otherwise damage the engine, due to high combustion temperatures and pressures (photo).

6 An intercooler (heat exchanger) is located between the turbocharger and the inlet manifold. Its function is to cool the inlet charge, thus increasing its density, to provide greater power output.

7 A mechanical bypass valve is located between the low-pressure pipe (downstream) and the high-pressure pipe (upstream), which reduces the inherent noise from the turbocharger when the accelerator pedal is released (photo).

8 None of the components of the turbocharger system can be repaired and parts are not available. Any fault will therefore mean that the turbocharger or associated assemblies will have to be renewed complete.

Precautions

9 The following precautions should be observed when using a turbocharged vehicle.

- a) Never operate the engine without the air cleaner fitted.
- b) Never switch off the engine before its speed has dropped to idling. If the car has been driven hard, allow it to idle for a few minutes before switching off. Failure to observe these recommendations can cause damage to the turbocharger due to lack of lubrication.

10 Always keep the fuel injection system well-maintained and tuned. Operating on a weak mixture can cause overheating of the turbocharger.

Turbocharger (1301 cc ie engine) - removal and refitting



11 Disconnect and remove the airflow meter as described in Section 9C.

12 Disconnect the spiral-wound hose from the fuel injector cooling duct.

13 Remove the turbocharger air hoses from within the left-hand side of the engine compartment. Note particularly their routing.

14 Remove the throttle housing/inlet manifold as described in Section 9C, also the fuel rail, injectors and inlet manifold branch pipe stubs. Remove the alternator heat shield (photo).

15 Remove the exhaust heat shield.

16 Unscrew the turbocharger-to-exhaust pipe flange nuts (photos).



9F.5 Maximum air pressure switch (arrowed)



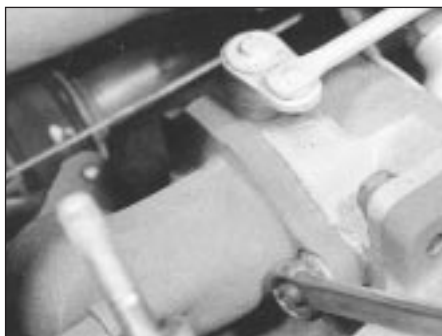
9F.7 Bypass valve



9F.14 Alternator heat shield



9F.16A Turbocharger-to-exhaust flange nut (arrowed)



9F.16B Unscrewing turbocharger-to-exhaust manifold nut



9F.17 Releasing turbocharger air hose clip



9F.18A Releasing turbocharger coolant inlet union (arrowed)

17 Disconnect the air hoses from the turbocharger (photo).

18 Drain the cooling system, and then disconnect the coolant hoses from the turbocharger (photos).

19 Disconnect the oil feed pipe, which has a banjo-type union (photo).

20 Disconnect the oil return pipe which runs to the engine sump pan (photo).

21 Working underneath the car, disconnect the exhaust manifold support bracket (photo).

22 Unbolt the exhaust manifold and lift it out of the engine compartment, complete with turbocharger.

23 The turbocharger may now be unbolted from the exhaust manifold (photo).

24 Refitting is a reversal of removal, but use new gaskets and seals throughout.

Turbocharger (1372 cc ie engine) - removal and refitting



25 Refer to Part E of this Section for details and remove the inlet manifold.

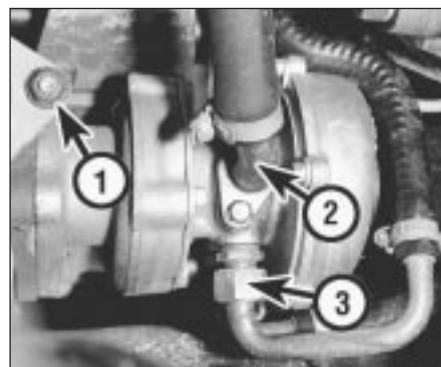
26 Drain the cooling system as described in Section 8 of this Chapter.

27 Unscrew the union bolt and disconnect the oil supply pipe from the turbocharger.

28 Loosen off the securing clip and detach the air hose from the turbocharger filter.

29 Raise and support the car at the front end on axle stands.

30 Working from underneath the car, unscrew the downpipe-to-exhaust system joint nuts then unscrew the retaining nuts and detach the exhaust downpipe from the turbocharger outlet flange. Remove the downpipe.



9F.18B Turbocharger connections

1 Exhaust connecting nut
2 Oil return hose
3 Coolant pipe union



9F.19 Turbocharging oil feed pipe



9F.20 Turbocharger oil return pipe at sump



9F.21 Exhaust manifold support bracket



9F.23 Exhaust manifold bolts



Fig. 13.64 Turbocharger oil supply pipe connection (arrowed) (Sec 9F)

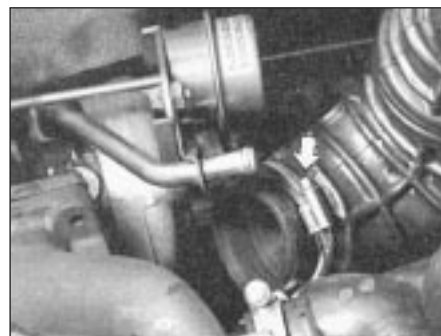


Fig. 13.65 Detach the air hose from the Turbocharger (arrowed) (Sec 9F)

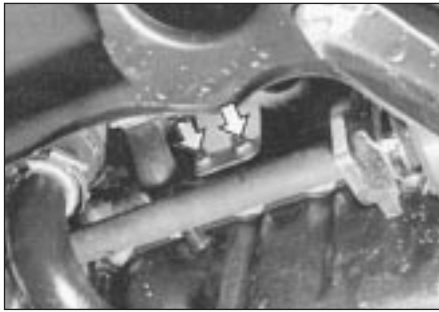


Fig. 13.66 Turbocharger mounting bracket bolts (arrowed) (Sec 9F)



Fig. 13.67 Disconnect the heat exchanger air hose and the oil return pipe (turbocharger-to-sump) (Sec 9F)

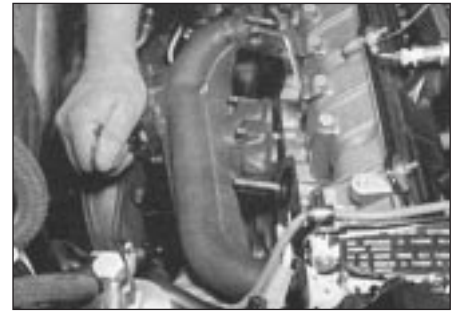


Fig. 13.68 Turbocharger mounting bracket bolts removal (Sec 9F)



Fig. 13.69 Turbocharger coolant pipe-to-pump bolt location (arrowed) (Sec 9F)



9F.40 Intercooler location (1301 cc engine)



9F.43 Intercooler mounting bolt (arrowed) on 1301 cc engine

31 Unscrew and remove the two turbocharger mounting bracket bolts.

32 Referring to Fig. 13.67, loosen off the retaining clip and detach the air hose from the heat exchanger and the oil return pipe from the turbocharger (to sump).

33 Working from above, undo the turbocharger mounting bracket bolts.

34 Unscrew and remove the coolant pipe-to-pump retaining bolts. The turbocharger can now be removed from above by withdrawing it together with the exhaust manifold from the engine compartment.

35 Locate and support the exhaust manifold in a vice. Fit protector clamps to the jaws of the vice to avoid possible damage to the manifold.

36 Note the orientation and fitted position of the turbocharger mounting bracket, then unscrew the retaining nuts and detach the bracket.

37 Undo the retaining nuts, separate and

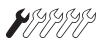
remove the exhaust manifold from the turbocharger.

38 The turbocharger and wastegate valve are not repairable and must therefore be renewed as a complete unit. This being the case, remove the following ancillary items from the turbocharger unit before renewing it.

- a) Loosen off the retaining clip and remove the air outlet hose from turbocharger.
- b) Undo the two retaining bolts and remove the oil return hose union.
- c) Unscrew the union and bolt and coolant inlet pipe.
- d) Undo the retaining nuts and remove the turbocharger-to-exhaust manifold connector.

39 Where applicable, always use new gaskets and ensure that the mating faces are clean before refitting the ancillary components to the turbocharger.

Intercooler - removal and refitting



40 The intercooler is mounted behind the left-hand side of the front bumper/spoiler (photo).

41 Disconnect the air ducts from the intercooler.

42 Unscrew the mounting bolts and lift the intercooler from the car.

43 Refitting is a reversal of removal (photo).

Injector cooling fan - removal and refitting



44 This unit is located on the left-hand side at the front of the car. It can be accessed for removal from above, in the engine compartment.

45 Detach and remove the air intake duct from the air cleaner unit to the ECU/airflow meter.

46 Disconnect and remove the air duct from the air blower unit.

47 Undo the air blower retaining nuts, withdraw the unit and detach its wiring connector.

Fault finding - fuel injection system

Difficult starting from cold

- Fuel pump fault
- Blocked fuel pipe or filter
- Supplementary air valve fault
- Coolant temperature sensor fault

Excessive fuel consumption

- Incorrect mixture setting
- Dirty air cleaner element
- Coolant temperature sensor fault
- Airflow sensor fault

Difficult to start when hot

- Choked air cleaner element
- Fuel pump fault

Uneven idling

- Incorrect mixture setting
- Intake system air leak
- Throttle position switch out of adjustment
- Loose ECU connector

Fault finding - turbocharger system

Noise or vibration

- Worn shaft bearings
- Lack of lubrication
- Inlet or exhaust manifold leaking
- Out-of-balance impeller shaft

Engine "pinking"

- High boost pressure, caused by faulty wastegate valve
- Fuel octane rating too low
- Faulty TDC sensor (ignition advanced)
- Incorrect spark plugs or plug gaps, or spark plugs worn

Indicated boost pressure too high

- Faulty wastegate valve
- Ice forming in exhaust pipe (during very cold weather)

Power loss/indicated boost pressure too low

- Turbocharger leaking, or leak at turbocharger mounting
- Incorrectly adjusted wastegate valve/wastegate valve not closing
- Blocked exhaust pipe
- Clogged air cleaner element
- Faulty TDC sensor (ignition retarded)
- Turbo/intercooler connecting hose leaking

Oil leaks from shaft oil seals, with blue exhaust fumes

- Oil return pipe blocked
- Air cleaner element clogged
- Worn oil seals

10 Ignition system

General

1 The ignition systems dealt with in this Section are all fully electronic and are referred to individually according to type as the "breakerless", Microplex and Digiplex 2 system. The Microplex system is used on the 1301 and 1372 cc Turbo ie engines, the Digiplex 2 on the 1372 cc ie engine and the "breakerless" system on all other models.

Ignition timing (all later models)



2 The ignition timing check on all systems covered in this Section is made using a stroboscope, connected up in accordance with the manufacturer's instructions and pointed at one of the two positions given below (photos).

a) The timing marks on the crankshaft pulley and the timing cover. The right-hand underwing shield will need to be detached and removed to allow access to view these marks (see photos 7B.27 and 7B.30B in this Chapter).

b) The timing marks on the flywheel and the clutch housing. The rubber plug will need to be extracted for access to these marks.

3 A dwell angle check is not possible on any of these systems.

4 When making the stroboscopic ignition timing check it is necessary to disconnect the vacuum hose from the distributor or inlet manifold to module (as applicable) and plug it. The engine must be at its normal operating temperature and running at the normal specified idle speed when making the check. Refer to the appropriate part of the Specifications at the start of this Chapter for the idle speed and ignition settings.

Breakerless ignition system - description

5 On 903 cc engines, the distributor is driven from an extension of the oil pump driveshaft which is geared to the camshaft.



10.2A Flywheel timing marks (999 cc engine)



10.2B Flywheel timing marks (1372 cc ie engine)

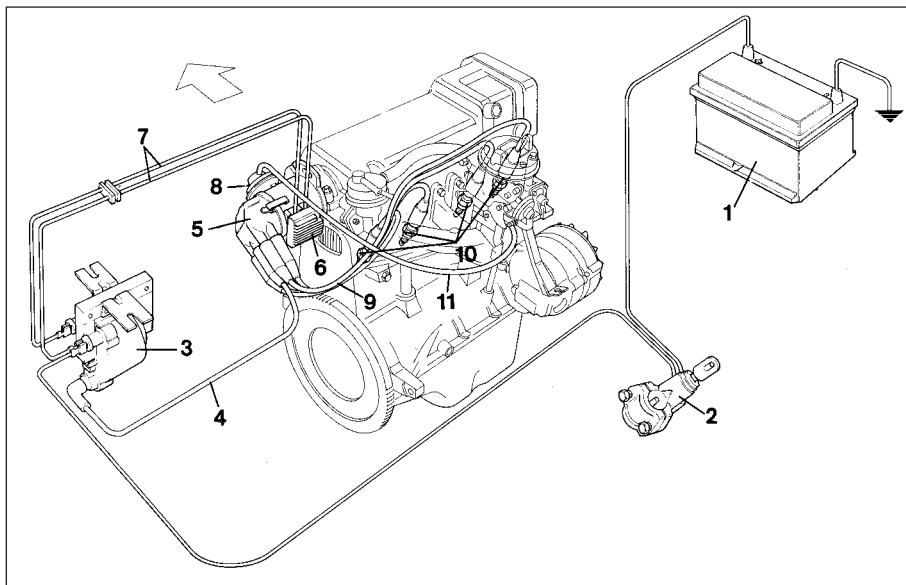


Fig. 13.70 Breakerless ignition system - 999 and 1108 cc engines (Sec 10)

- | | | |
|-------------------|-----------------------|-----------------------|
| 1 Battery | 5 Distributor | 9 Spark plug HT leads |
| 2 Ignition switch | 6 ECU | 10 Spark plugs |
| 3 Ignition coil | 7 LT cables | 11 Vacuum hose |
| 4 Coil HT lead | 8 Vacuum advance unit | |

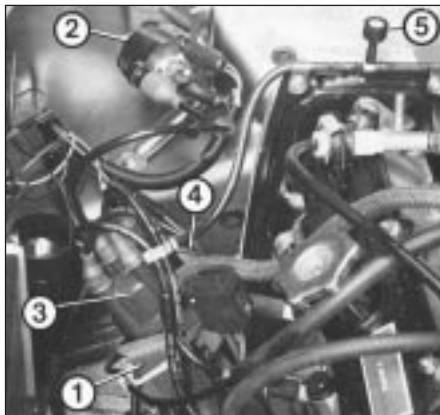


Fig. 13.71 Location of electronic ignition components on early models with breakerless ignition (Sec 10)

- | | |
|------------------|---|
| 1 ECU | 5 Pick-up filter with calibrated opening for atmospheric pressure |
| 2 Ignition coil | |
| 3 Distributor | |
| 4 Vacuum advance | |

6 On 999, 1108 and 1372 cc engines, the distributor is driven from the rear end of the camshaft.

7 On the 1116 and 1299/1301 cc engines, the distributor is driven from an extension of the oil pump driveshaft which is geared to the auxiliary shaft.

8 The distributor contains a reluctor mounted on its shaft, and a magnet and stator fixed to the baseplate.

9 Ignition advance is controlled in the conventional way mechanically by centrifugal weights and a diaphragm unit for vacuum advance.

10 Instead of the conventional method of interrupting the low tension circuit to generate high tension voltage in the coil by means of a mechanical contact breaker, when the electronic ignition is switched on, the switching of the transistors in the electronic control unit (ECU) prevents current flow in the coil primary windings.

11 Once the crankshaft rotates, the reluctor moves through the magnetic field created by the stator and when the reluctor teeth are in alignment with the stator projections a small AC voltage is created. The ECU amplifies this voltage and applies it to switch the transistors and so provide an earth path for the primary circuit.

12 As the reluctor teeth move out of alignment with the stator projections the AC voltage changes, the transistors in the ECU are switched again to interrupt the primary circuit earth path. This causes a high voltage to be induced in the secondary winding.

Distributor (breakerless type) - removal and refitting



13 Removal of the distributor on the 903,



Fig. 13.72 Rotor aligned with arrow on distributor dust shield - 999 and 1108 cc engines (Sec 10)

1116, 1299 and 1301 cc engines is as described in Chapter 4, Section 6.

14 On 999, 1108 and 1372 cc engines, mark the position of the distributor clamp plate in relation to the cylinder head surface.

15 Unclip the distributor cap and move it to one side with the HT leads attached.

16 Disconnect the LT lead plug and, where applicable, the vacuum hose (photo).

17 Unscrew the distributor fixing nuts and withdraw the unit.

18 The distributor drive is by means of an offset dog no special procedure is required to refit it. Providing the dog engages in its slot and the distributor body is turned to align the marks made before removal, the timing will automatically be correct.

19 If a new distributor is being fitted (body unmarked), set No. 4 piston at TDC (0°) by turning the crankshaft pulley bolt until the timing marks on the crankshaft pulley and engine front cover are in alignment.

20 Align the drive dog and fit the distributor then turn the distributor body until the contact end of the rotor is aligned with the arrow on the distributor dust shield.

21 Tighten the distributor clamp nuts. Refit the cap and disconnected components and then check ignition timing using a stroboscope.

Distributor (breakerless type) - overhaul



22 It is recommended that a worn out or faulty distributor is renewed. However, individual components such as the cap, rotor, reluctor, magnet/stator/baseplate assembly, vacuum diaphragm unit, and drive gear or dog are available separately.

Breakerless ignition system components - testing



23 A voltmeter and an ohmmeter will be required for this work.

Primary circuit voltage

24 Turn on the ignition, and using a voltmeter check the voltage at the ignition coil LT terminals. Any deviation from battery voltage will indicate a faulty connection, or if these are satisfactory, then the coil is unserviceable.



10.16 Distributor LT lead connecting plug

Magnetic impulse generator winding

25 Remove the distributor and ECU and disconnect their connecting leads.

26 Connect an ohmmeter to the impulse generator terminals and note the reading. The resistance should be as given in the Specifications at the beginning of this Chapter.

27 Now check between one of the impulse generator terminals and the metal body of the distributor. Infinity should be indicated on the ohmmeter. If it is not, renew the impulse generator carrier plate. **Note:** When carrying out this test it is imperative that the connections are remade as originally observed. Also ensure that there is no possibility of the ECU supply (red) cable and earth cable making contact in service.

Ignition coil winding resistance

28 Check the resistance using an ohmmeter between the coil LT terminals. Refer to the Specifications for the expected coil resistance.

29 Check the resistance between the LT lead socket on the coil and each of the LT terminals. Refer to the Specifications for the expected coil resistance.

30 The rotor arm resistance should be approximately 5000 ohms.

Microplex ignition system - description

31 This system is fitted to the 1301 and 1372 cc Turbo ie models, and comprises the following components.

Electro-magnetic sensors

32 Two sensors are used to pick up engine speed and TDC position directly from the crankshaft.

Pressure and vacuum sensor

33 This converts inlet manifold vacuum pressure into an electrical signal for use by the electronic control unit (ECU).

Anti-knock sensor

34 This converts "pinking" detonations which occur within the combustion chambers into an electrical signal for use by the ECU (photo).

Electronic Control Unit (ECU)

35 This computes the optimum ignition advance angle from the sensor signals received, and controls the action of the ignition unit (photo).



10.34 Anti-knock sensor



10.35 Ignition ECU on rear bulkhead (1301 cc Turbo ie engine)

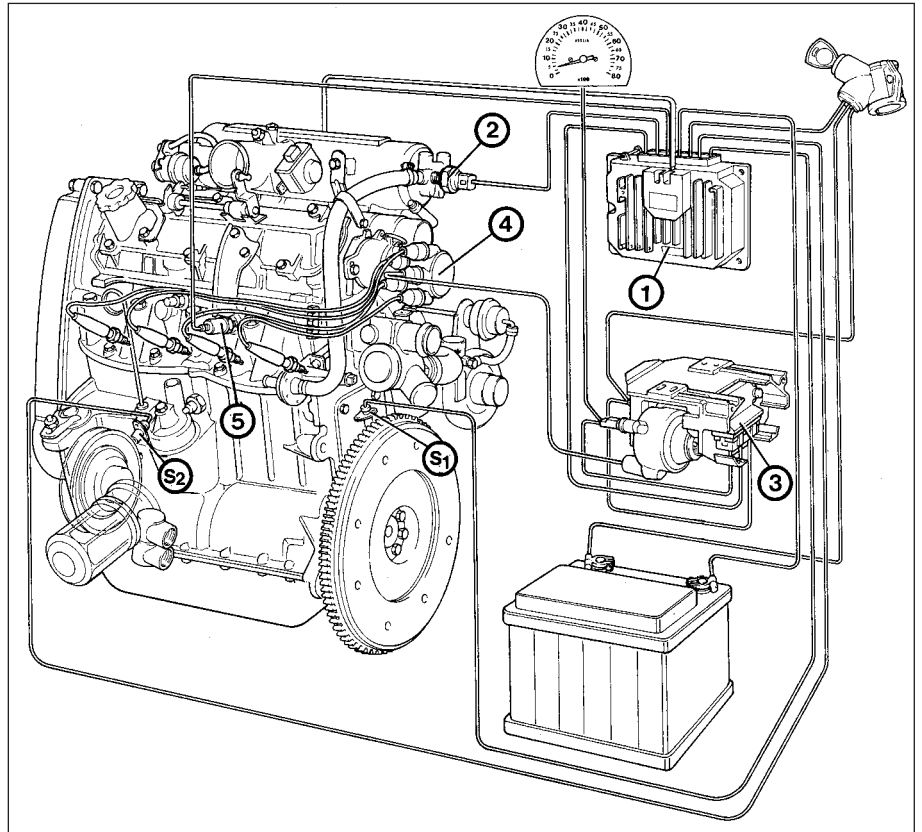


Fig. 13.75 Microplex ignition system components on the 1301 cc Turbo ie engine (Sec 10)

- | | | |
|--------------------------|---------------------|------------------------|
| 1 ECU | 4 Distributor | S1 TDC sensor |
| 2 Safety pressure switch | 5 Anti-knock sensor | S2 Engine speed sensor |
| 3 Ignition unit and coil | | |

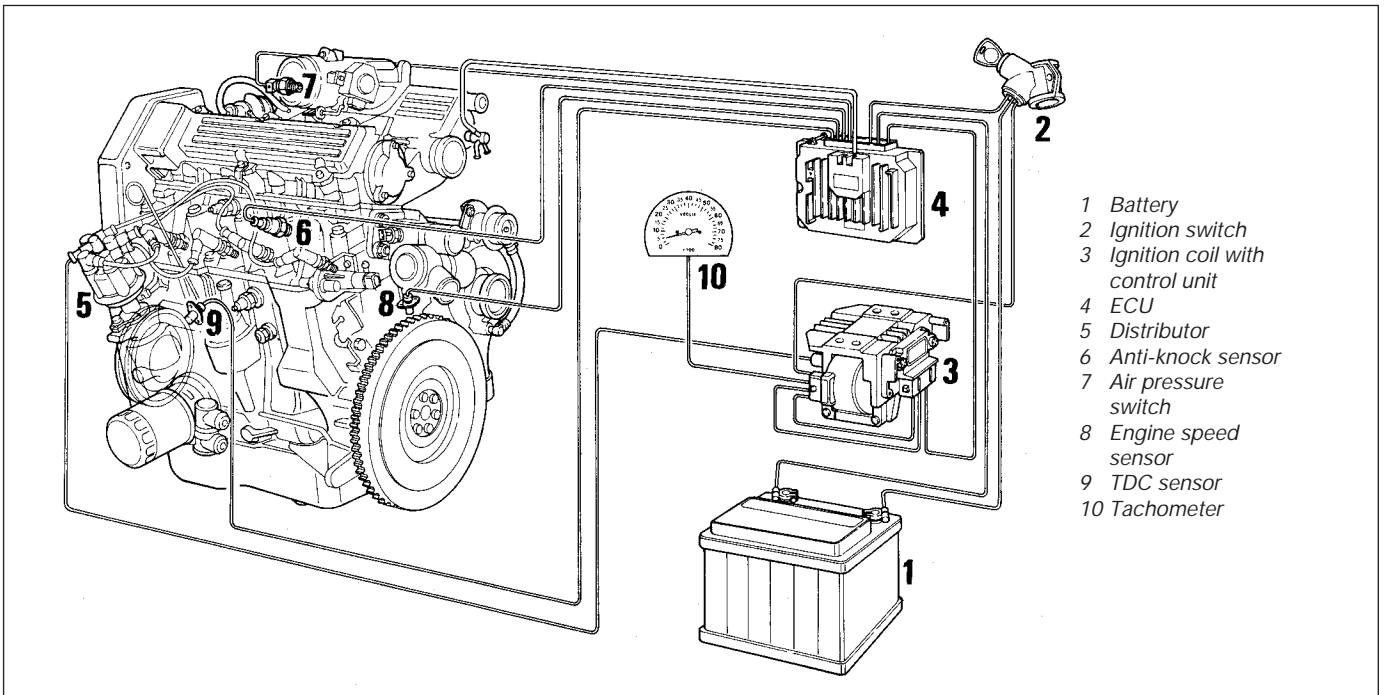


Fig. 13.76 Microplex ignition system components on the 1372 cc Turbo ie engine (Sec 10)

- | |
|-----------------------------------|
| 1 Battery |
| 2 Ignition switch |
| 3 Ignition coil with control unit |
| 4 ECU |
| 5 Distributor |
| 6 Anti-knock sensor |
| 7 Air pressure switch |
| 8 Engine speed sensor |
| 9 TDC sensor |
| 10 Tachometer |

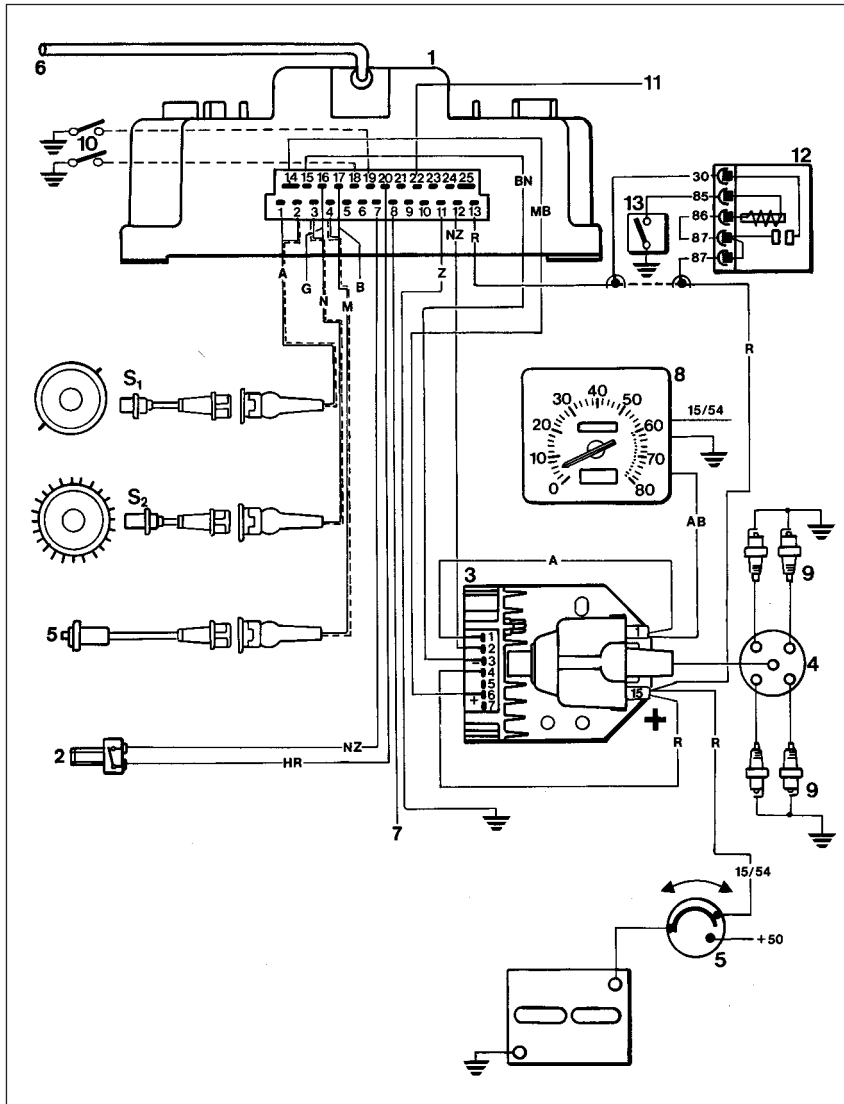


Fig. 13.73 Wiring diagram of the Microplex ignition system on the 1301 cc Turbo ie engine (Sec 10)

- | | |
|--|---|
| 1 ECU | 8 Tachometer |
| 2 Safety pressure switch | 9 Spark plugs |
| 3 Ignition unit with coil | 10 Switch to earth (to retard advance curve if necessary) |
| 4 Distributor | 11 Turbocharger operation warning light |
| 5 Anti-knock sensor | 12 Anti-theft relay (where fitted) |
| 6 Vacuum/pressure pick-up in engine inlet manifold | 13 Hidden anti-theft switch (where fitted) |
| 7 Socket for diagnostic equipment | |

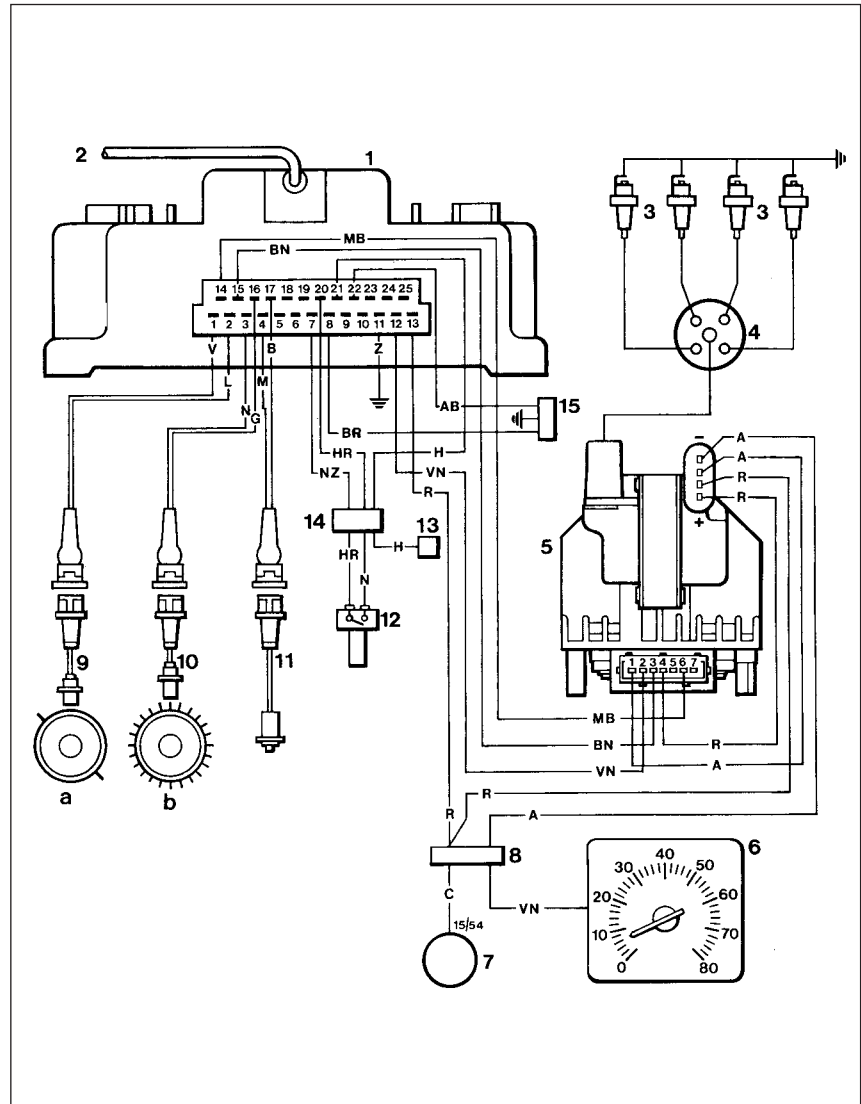
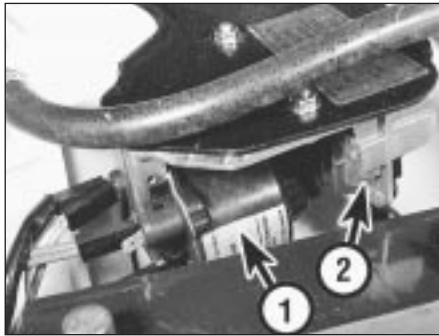


Fig. 13.74 Wiring diagram of the Microplex ignition system on the 1372 cc Turbo ie engine (Sec 10)

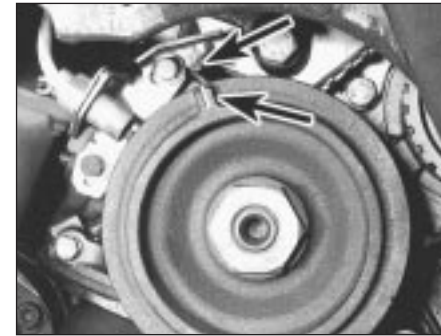
- | | | |
|--|-------------------------------|--|
| 1 ECU | 6 Tachometer | 13 Speedometer signal for electronic injection |
| 2 Pipe (pressure/vacuum in inlet manifold to control unit) | 7 Ignition switch | 14 Connector |
| 3 Spark plug | 8 Connector | 15 Diagnostic socket |
| 4 Distributor | 9 TDC sensor | |
| 5 Ignition coil (with control unit) | 10 Engine speed | |
| | 11 Anti-knock sensor | a Crankshaft pulley |
| | 12 Air pressure safety switch | b Flywheel |



10.36 Ignition coil (1) and power module (2) on 1301 cc Turbo ie engine



10.38 Removing the distributor cap



10.39 Crankshaft pulley timing marks (arrowed)

Ignition unit

- 36 This comprises four elements (photo).
- Power module - receives the ignition advance command and controls the conduction angle of the primary current and energy stored in the coil.*
 - Dissipater plate - eliminates the heat which is generated by the high volume of current.*
 - Ignition coil with low primary resistance.*
 - Distributor - a means of distributing high tension to the spark plugs. The rotor is driven in an anti-clockwise direction (viewed from transmission) by a dog on the end of the camshaft.*

37 The system incorporates a safety pressure switch, which cuts out the ignition if the turbocharging pressure exceeds a value of between 0.84 and 0.93 bars (12.2 and 13.5 lbf/in²) above atmospheric pressure.

Distributor (Microplex) - removal and refitting

38 Remove the distributor cap and place it to one side, complete with spark plug leads (photo).

39 Turn the crankshaft by means of the pulley nut, or by raising and turning a front wheel with top gear engaged, until No. 4 piston is on its firing stroke. This will be indicated when the contact end of the rotor

arm is aligned with the mark on the distributor body rim, and the lug on the crankshaft pulley is aligned with the timing pointer on the engine. The right-hand underwing shield will have to be removed in order to see the marks (photo).

40 Unscrew the distributor fixing nuts and withdraw the distributor.

41 When fitting the distributor, the offset drive dog will automatically locate the distributor rotor in its correct position, but the distributor body may require rotating in order to align the rim mark with the rotor. The elongated slots for the fixing studs are to permit initial alignment, not for subsequent adjustment, as advance angle alterations are carried out automatically by the system ECU (photos).

42 Tighten the nuts and refit the cap with leads.

43 Unless a stroboscope and a vacuum pressure gauge are available, it will not be possible to check the advance values with the engine running. Where these instruments are available, connect the vacuum gauge to the inlet manifold, and the stroboscope in accordance with the equipment manufacturer's instructions. Refer to Fig. 13.79 according to the inlet manifold vacuum pressure indicated.

Microplex ignition system components - testing

44 An ohmmeter and a voltmeter will be required for these tests.

45 Remove the multipin plug from the ECU.

Engine speed sensor

46 Insert the probes of an ohmmeter between terminals 3 and 16 of the multipin connector; 618 to 748 ohms (1301 cc) or 578 to 782 ohms (1372 cc) should be indicated.

47 If necessary, carry out a check of the gap between the sensor and flywheel teeth as described in Chapter 4, Section 10.



10.41A Distributor body showing elongated slots in the mounting lugs



10.41B Distributor drive dog

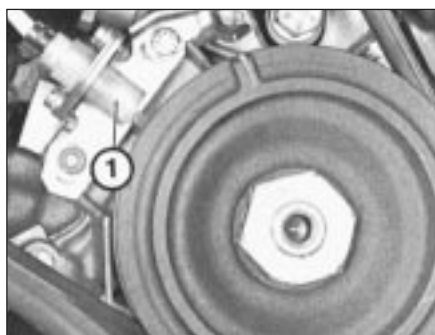


Fig. 13.77 Crankshaft pulley timing mark aligned with timing pointer - Microplex ignition system (Sec 10)

1 TDC sensor



Fig. 13.78 Rotor aligned with distributor body rim mark - Microplex ignition system (Sec 10)

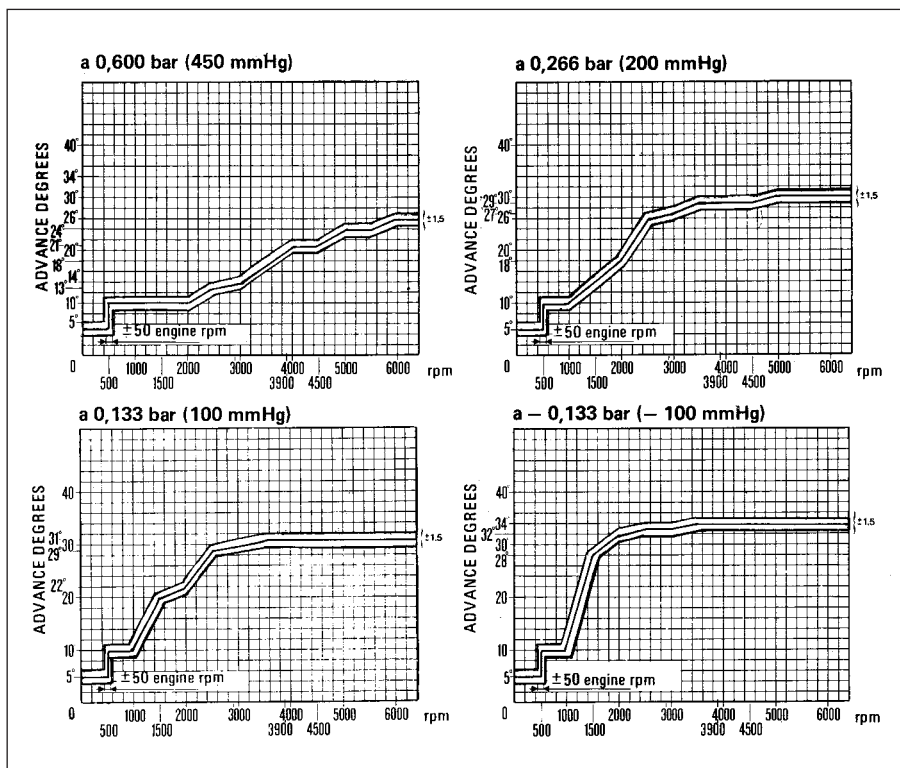


Fig. 13.79 Ignition advance curves - Microplex ignition system on the 1301 cc Turbo ie (Sec 10)

TDC sensor

48 Insert the probes of the ohmmeter between terminals 1 and 2 of the multipin connector; 618 to 748 ohms (1301 cc) or 578 to 782 ohms (1372 cc) should be indicated.

49 If necessary, carry out a check of the gap between the sensor and the crankshaft pulley, as described in Chapter 4, Section 10.

ECU supply

50 Switch on the ignition, and then insert the probes of a voltmeter between terminals 13 and 11 of the multipin connector. Battery voltage should be indicated. If not, check the battery earth, ignition switch or intermediate connector plug for security.

Power module supply (1301 cc)

51 Pull the multipin plug from the power

module, and connect the probes of a voltmeter between terminal 4 of the connector and earth. If the reading is less than battery voltage, check the security of all connections between the ignition switch and terminal + 15 of the ignition coil.

52 Reconnect the multipin connector to the ECU, but have the one from the power module disconnected, and then switch on the ignition.

53 Connect the voltmeter between terminals 4 and 2 of the power module multipin connector. If the indicated voltage is less than battery voltage, check the security of all connections between the ignition switch and terminal + 15 of the ignition coil, and the battery earth. If all are satisfactory, check for continuity between terminals 11 and 12. If continuity is broken, renew the ECU.

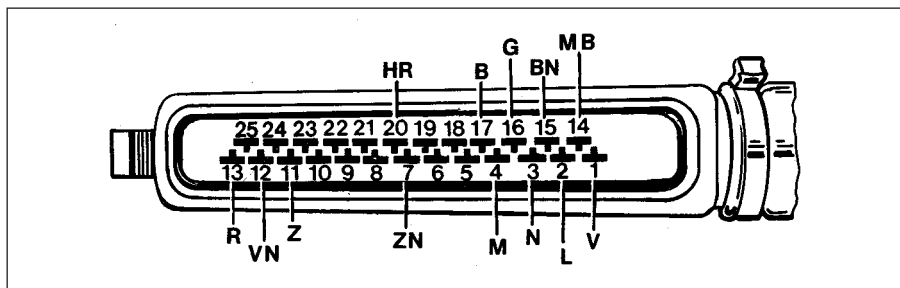


Fig. 13.80 Microplex ignition system ECU multipin connector (Sec 10)

For colour code, see main wiring diagrams

Power module (1372 cc)

54 Proceed as described in paragraph 53.

Anti-knock sensor

55 If "pinking" occurs, or loss of power is noticed, test the sensor by substitution of a new one.

Ignition coil

56 Disconnect the leads from terminals 1 and 15 on the coil before testing.

57 Using the ohmmeter, check the resistance of the primary winding. This should be between 0.31 and 0.37 ohms (1301 cc) or 0.40 to 0.49 ohms (1372 cc), at an ambient temperature of 20°C (68°F).

58 The secondary winding resistance should be between 3330 and 4070 ohms (1301 cc) or 4320 to 5280 ohms (1372 cc), at an ambient temperature of 20°C (68°F).

Distributor

59 Check the resistance of the rotor arm, which should be between 800 and 1200 ohms.

60 Where all the foregoing tests have proved satisfactory, then any problem must be due to a fault in either the power module or the ECU. These components can only be checked by the substitution of a new unit - power module first, then the ECU.

Safety pressure switch

61 The device protects the engine from excessive turbocharging pressure, cutting off the ignition by earthing the Microplex ECU. Testing is not possible without a special pressure pump, so the easiest way to check a suspected fault is to fit a new unit.

Digiplex 2 ignition system - description

62 This system operates in a similar manner to that of the earlier type described in Chapter 4, but the circuit layout differs to suit the Mono Jetronic fuel injection system. In operation, the main difference is that the Digiplex 2 system has a greater number of

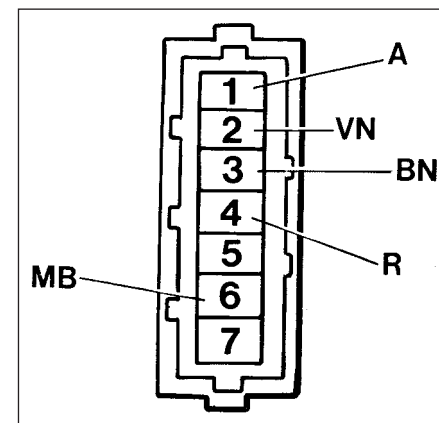


Fig. 13.81 Microplex ignition system control unit connection (Sec 10)

For colour code, see main wiring diagrams

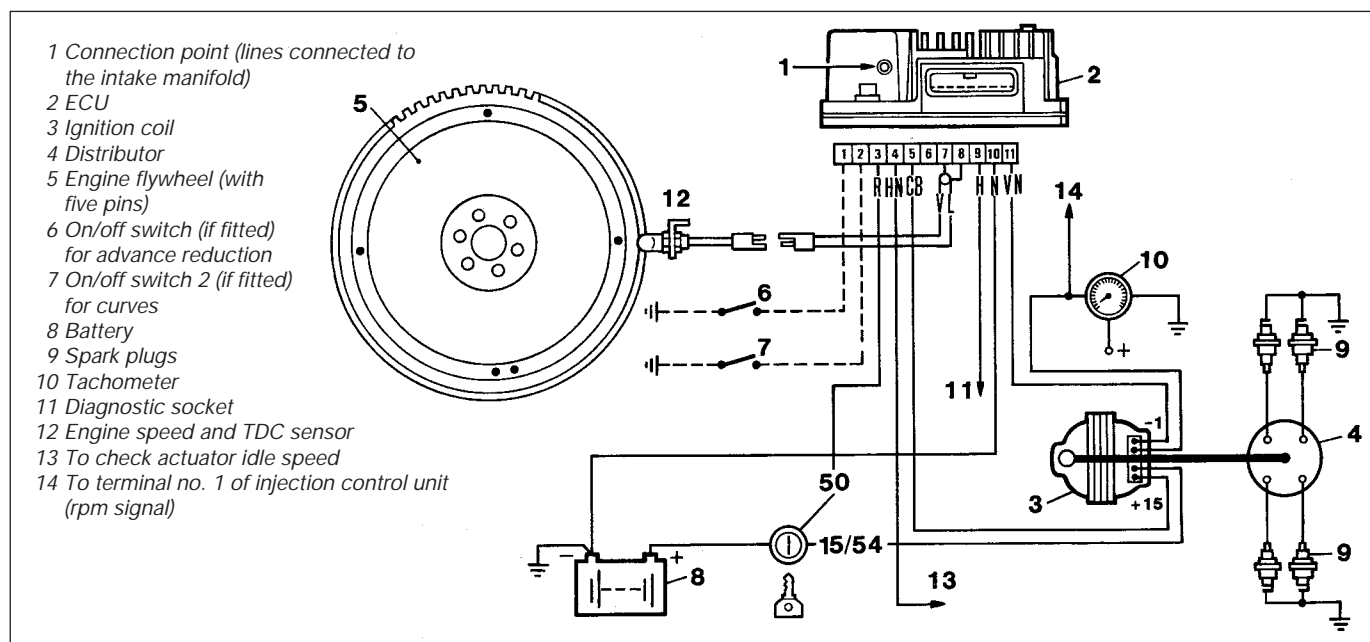


Fig. 13.82 Digiplex 2 ignition system wiring circuits and components (Sec 10)

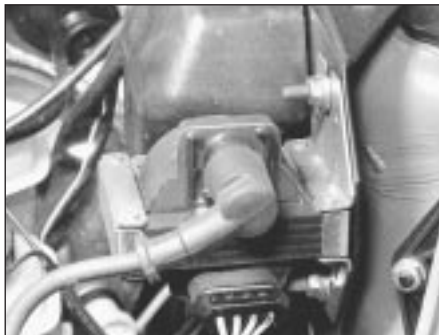
advance points than the earlier system. Comparison of Fig. 13.82 with Fig. 4.2 illustrates the difference in layout. Note that the distributor is mounted on the rear end of the cylinder head and is driven by the camshaft.

63 When working on the Digiplex 2 ignition system or associated components, the precautionary notes outlined in Section 9 of Chapter 4 must be adhered to.

64 As with the earlier system, test procedures possible on the Digiplex 2 system are restricted due to the need for specialised testing equipment. The following checks are possible, however, using a conventional test meter.

Ignition coil check

65 To check the resistance of the coil's primary windings, connect the probes of an ohmmeter between the positive terminal and the negative terminal as shown in Fig. 13.83, and check that the resistance reading at 18 to 28°C is 0.45 ohms \pm 10% (photo).



10.65 Ignition coil and connections on the 1372 cc ie engine

66 To check the resistance of the coil's secondary windings, connect the probes of an ohmmeter between the positive terminal and the HT lead terminal as shown in Fig. 13.84. Check that the resistance reading at 18 to 28°C (64 to 82°F) is 4800 ohms \pm 10%.

Ignition timing check

67 Refer to paragraph 2 in this Section.

Engine speed and TDC sensor check

68 To check the resistance between the sensor and the ECU, detach the wiring connector (photo). Connect the probes of an ohmmeter to the connector terminals and check that the resistance reading is between 600 and 760 ohms at 20°C (68°F). If the reading is not as specified, the sensor must be renewed.

69 The gap between the sensor and the pins on the rear face of the flywheel must be between 0.2 and 0.8 mm. Any deviation outside of this clearance will be due to mechanical damage to the sensor and

necessitates its renewal. The sensor is accurately positioned during manufacture and secured with tamperproof screws; it does not require any adjustment during servicing. If it is necessary to renew the sensor, a special gap setting tool is required and the task is therefore best entrusted to a FIAT dealer.

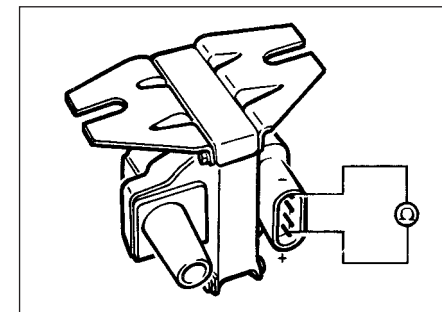


Fig. 13.83 Test connections for ignition coil primary windings check - Digiplex 2 ignition system (Sec 10)



10.68 ECU location on the 1372 cc ie engine

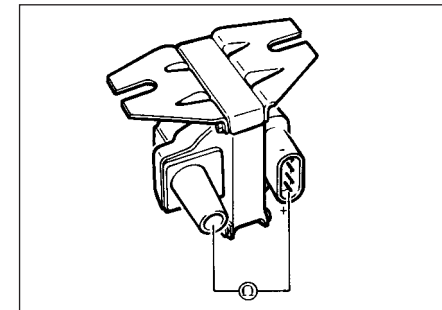
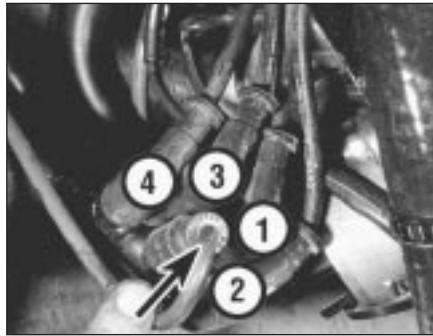


Fig. 13.84 Test connections for ignition coil secondary windings check - Digiplex 2 ignition system (Sec 10)



10.70 Ignition distributor and HT lead connections on the 1372 cc ie engine



10.72 HT lead connecting sequence on the 1301 cc Turbo ie engine

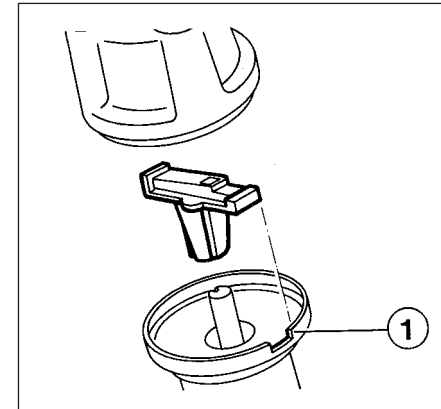


Fig. 13.85 Rotor arm must align with slot (1) in distributor housing when refitting distributor - Digiplex 2 ignition system (Sec 10)

Distributor (Digiplex Z) - removal and refitting

70 Proceed as described in paragraphs 14 to 21. When refitting the distributor, ensure that the engine is still set at the TDC position. Engage the rotor arm into position on the shaft so that its lug engages in the slot in the top end of the drive spindle. Align the rotor arm with the reference slot on the edge of the distributor housing as shown in Fig. 13.85, then fit the distributor into position and secure with the retaining nuts (photo). As previously mentioned, the fine timing is made automatically through the ECU.

Spark plugs and HT leads - general

71 Copper-cored spark plugs are now fitted to all models. The recommended types are given in the Specifications Section of this Supplement.

72 The HT lead connection sequence to the distributor cap on the 999 and 1108 cc engines is shown in Fig. 13.86. That for the 1301 cc Turbo ie is as shown (photo).

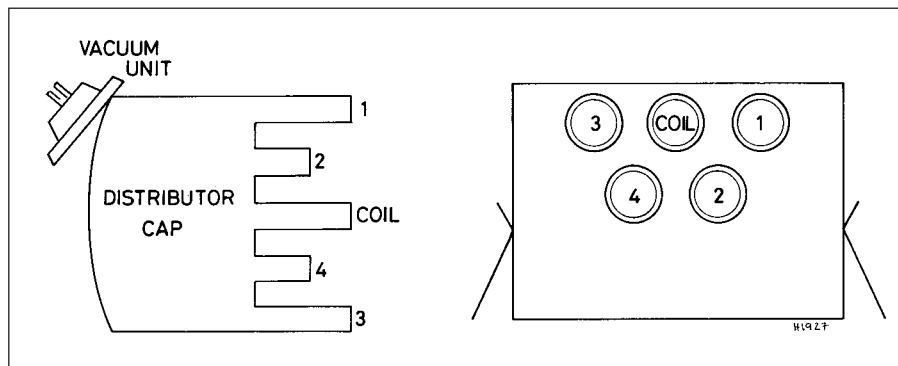


Fig. 13.86 HT lead connections on distributor cap of the 999 and 1108 cc engines (Sec 10)

Fault finding - Microplex ignition system

Starter motor turns but engine will not start

- Excessive TDC sensor gap
- Engine speed or TDC sensors short-circuited
- Faulty ECU
- ECU multipin contacts corroded
- Defective ignition coil
- Defective ignition switch
- ECU terminal 8 cable faulty

Engine firing on three cylinders

- Faulty spark plug
- Distributor cap cracked
- Faulty HT cable

Loss of power, excessive fuel consumption

- TDC sensor incorrectly located
- Fault in ECU advance angle facility

11 Clutch

Clutch pedal - adjustment (cable clutch)

1 The method of adjusting the clutch has been revised.

2 Fully depress the clutch pedal two or three times.

3 Using a suitable measuring stick placed in contact with the floor panel (carpet peeled back), measure dimension "X" in Fig. 13.87. This dimension must be taken between the centre of the pedal pad and the floor, first with

the pedal in the fully depressed position, and then in the fully released position.

4 The dimension measured should fall within the range quoted in the Specifications for this Supplement.

5 Any adjustment which may be required should be carried out by slacking the locknut on the cable at the release lever (on top of the gearbox) and turning the adjusting nut. Tighten the locknut on completion.

Hydraulic clutch - description

6 Some later models are fitted with an hydraulically operated clutch in place of the cable operated type. The main components of the system are a master cylinder, with separate hydraulic fluid reservoir, and the operating cylinder. The master cylinder is

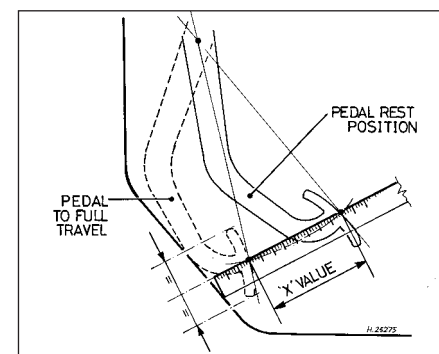


Fig. 13.87 Clutch pedal adjustment diagram - cable clutch (Sec 11)

For dimension "X", refer to Specifications

mounted in-line with and just forward of the clutch pedal. The operating cylinder is mounted within a housing on top of the transmission. The fluid reservoir is located in the engine compartment and is mounted on the left-hand side near the bulkhead. No settings or specific procedures are given by the manufacturer at the time of writing.

Maintenance (hydraulic clutch)

7 Periodically check the fluid level in the reservoir. If the level has dropped, top it up with the specified fluid. The fluid level must not be allowed to drop below the MIN level mark on the side of the reservoir (photos). If the fluid level drops by a significant amount, it is indicative of a leak in the hydraulic circuit and this must therefore be traced and repaired at the earliest opportunity.

8 Inspect the fluid lines and connections for security and any signs of leaks.

Clutch master cylinder - removal, overhaul and refitting

9 If the cylinder is to be dismantled, it will first be necessary to obtain a cylinder repair kit. Start by detaching and removing the trim panel from the underside of the facia on the driver's side.

10 Place a suitable covering over the floor carpet to prevent staining in the event of fluid spillage. Clamp the fluid supply hose at the master cylinder end, then unscrew the retaining clip and detach the hose from the cylinder. Position the hose out of the way and with its end pointing up.

11 Detach the operating rod clevis from the brake pedal.

12 Unscrew and detach the hydraulic pipe to the operating cylinder from the master cylinder (photo).

13 Undo the two retaining nuts and withdraw the master cylinder.

14 To dismantle the cylinder, prise free and pull back the dust boot, extract the retainer and withdraw the operating rod.

15 Invert the cylinder and shake free the piston and seal assembly. If it is stuck inside the cylinder, apply moderate air pressure (from a foot pump) into the tail end and catch

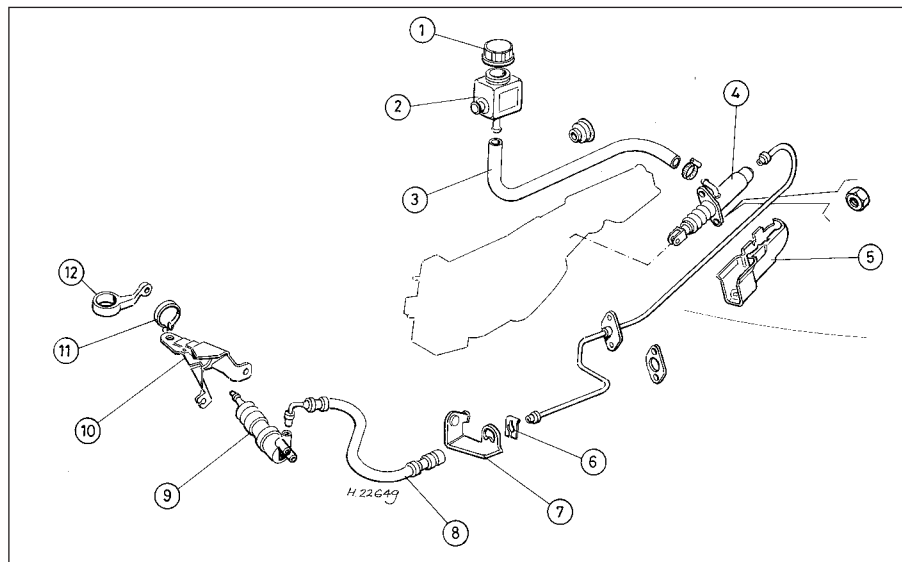


Fig. 13.88 Exploded view of the hydraulic clutch components (Sec 11)

- | | | |
|-------------------|-----------|----------------------|
| 1 Filler cap | 5 Cover | 9 Operating cylinder |
| 2 Fluid reservoir | 6 Clip | 10 Bracket |
| 3 Hose | 7 Bracket | 11 Circlip |
| 4 Master cylinder | 8 Hose | 12 Operating lever |

the assembly in a clean cloth as it is ejected.

16 Remove the seals noting their orientation. Clean all components in methylated spirits or new hydraulic fluid. If the cylinder is damaged, scored or badly worn it must be renewed. The seals must always be renewed once they are removed.

17 Assemble the new seals to the piston and lubricate the cylinder, seals and piston assembly with new hydraulic fluid (of the specified type) before assembling them. Ensure that the seals are fitted the correct way round (as noted during removal).

18 Renew the dust boot, fit and secure the operating rod into position with the retainer, then refit the dust boot over the cylinder.

19 If the intake pipe connector was removed, this must be refitted using a new seal.

20 Refit the cylinder in the reverse order of removal. Connect and hand tighten the hydraulic pipe to the operating cylinder before fully tightening the cylinder securing nuts. The hydraulic pipe can then be fully tightened.

21 Reconnect the fluid supply hose to the cylinder and tighten the retaining clip to secure. Release the clamp.

22 Top up the clutch fluid level in the reservoir then bleed the system as described later in this Section.

Clutch operating cylinder - removal, overhaul and refitting

23 If the cylinder is to be dismantled once it is removed, it will first be necessary to obtain a cylinder repair kit. Access is much improved by first detaching the appropriate ducts and hoses from the areas directly above the cylinder, on top of the transmission/clutch housing.

24 To avoid excessive fluid loss when the hydraulic line is detached from the operating cylinder, remove the filler cap from the reservoir, place a clean piece of polythene sheet over the filler neck and refit the reservoir cap.



11.7A Clutch hydraulic fluid reservoir showing MIN and MAX markings



11.7B Topping up the fluid level in the clutch fluid reservoir



11.12 Clutch master cylinder and hydraulic pipe connections



11.25 Clutch operating cylinder showing hydraulic line connection and bleed nipple (arrowed)

25 Unscrew the union nut and detach the hydraulic fluid line from the operating cylinder (photo).

26 Undo the cylinder/mounting bracket retaining bolts and lift clear the cylinder together with the bracket (photo). Release the retaining clip and separate the cylinder from the bracket.

27 To dismantle the cylinder, prise free and pull back the dust boot, withdrawing it together with the operating rod.

28 Invert the cylinder and shake free the piston and seal assembly. If it is stuck inside the cylinder, remove the bleed screw then apply moderate air pressure (from a foot pump) into the bleed port and catch the cylinder in a clean cloth as it is ejected.

29 Remove the seals noting their orientation. Clean all components in methylated spirits or new hydraulic fluid. If the cylinder is damaged, scored or badly worn it must be renewed. The seals must always be renewed once they are removed.

30 Assemble the new seals to the piston and lubricate the cylinder, seals and piston assembly with new hydraulic fluid (of the specified type) before assembling them. Ensure that the seals are fitted the correct way round (as noted during removal).

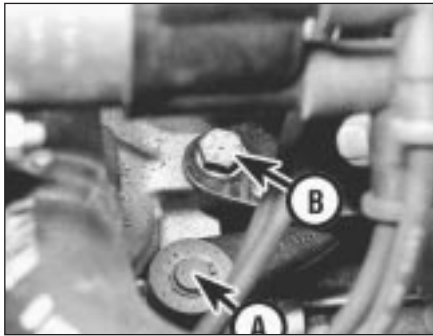
31 Renew the dust boot, fit and secure the operating rod into position then refit the dust boot over the cylinder. If removed, refit the bleed screw.

32 Reconnect the cylinder to the mounting bracket and refit the combined assembly to the vehicle in the reverse order of removal. Ensure the hydraulic union is clean and take care not to damage the threads as it is reconnected.

33 Remove the polythene seal from the hydraulic reservoir filler neck, top up the fluid level and bleed the system as described below.

Clutch hydraulic system - bleeding

34 The clutch hydraulic circuit is bled in much the same manner to that described for a brake circuit. Refer to Section 12 in Chapter 8 and proceed as described, but note that the bleed screw for the clutch circuit is located in



11.26 Clutch operating lever (A) and operating cylinder bracket-to-transmission housing bolt (B)

the end of the operating cylinder (see photo 11.25). The clutch hydraulic circuit reservoir is mounted in the engine compartment on the left-hand side near the bulkhead and is separate from the master cylinder. As the system is being bled, ensure that the fluid level in the reservoir is maintained between the MIN and MAX level marks. Do not allow the fluid level to drop below the MIN level mark otherwise air will enter the system and greatly lengthen the operation. Wipe clean any fluid spillage from the paintwork or adjacent components as it has a corrosive effect if left.

12 Transmission

PART A: 1301 CC TURBO IE ENGINE

Description

- 1 The transmission is of five-speed type, based on that used in the Fiat Strada 105 TC.
- 2 For all practical purposes, the operations described in Chapter 6 apply, but observe the following differences.

Gearchange linkage - removal and refitting

- 3 This is of two-rod type.
- 4 Remove the gaiter and disconnect the rods



12A.5 Gearchange rod connections at transmission (1301 cc Turbo ie engine)

at the gear lever end as described in Chapter 6, Section 3.

5 Disconnect the rods at the transmission end by unscrewing the nuts and bolts which connect the linkage rods to the selector rods (photo).

6 Extract the spring clip which retains the end of the short link rod (photo).

Gearchange linkage (Antiskid models) - general

7 The gearchange linkage and internal selector arrangement has been modified, as shown in Fig. 13.89.

Final drive output shafts - description and oil seal renewal

8 The output shafts on this transmission incorporate a flange on the left-hand side, to which a coupling flange on the driveshaft is bolted. On the right-hand side, an intermediate shaft (see Section 13) is splined directly into the differential side gear.

9 A leaking oil seal may be renewed on the left-hand side of the final drive casing after first disconnecting the driveshaft. Then using two levers, prise out the flange/stub shaft against the tension of its retaining circlip.

10 Unbolt and remove the bearing cover. When refitting the cover, make sure that the O-ring is in good condition.

11 To renew the oil seal on the right-hand side, first remove the intermediate driveshaft, and then prise the defective seal out of the final drive housing using a suitable tool.

12 Apply grease to the new seal lips before refitting the intermediate shaft or the stub shaft. Tighten all bolts to the specified torque.

PART B: 1372 CC IE AND 1372 CC TURBO IE ENGINES

Description

1 The transmission is of five-speed type, based on that used in the FIAT Tipo. The transmission is mounted in-line with the engine and is located in the left-hand side of the engine compartment. Drive from the clutch is transferred through the input shaft and the mainshaft to the integrally-located



12A.6 Gearchange link rod spring clip (arrowed) on the 1301 cc Turbo ie engine

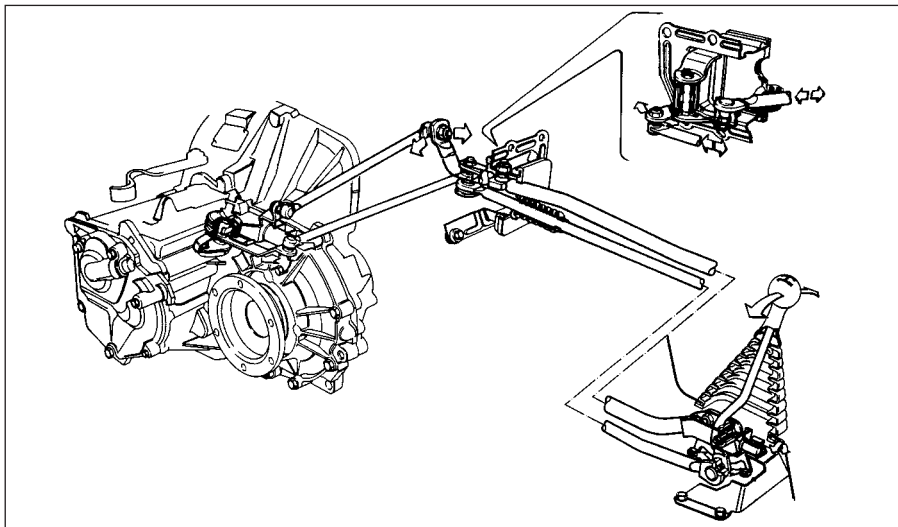


Fig. 13.89 Gearchange control linkage on the 1301 cc Turbo ie model with Antiskid (Sec 12)

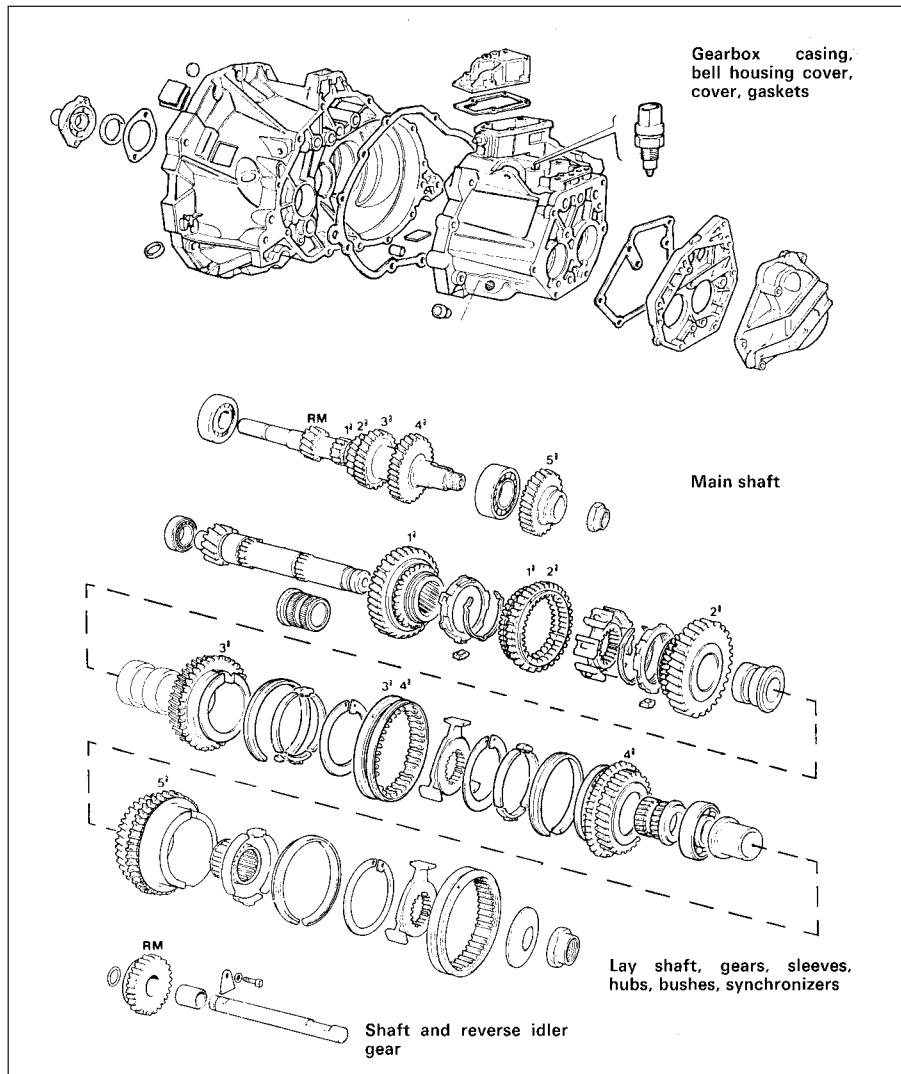


Fig. 13.90 Exploded view of the transmission unit fitted to 1372 cc models (Sec 12)

final drive unit. The inboard end of each driveshaft locates in the differential. All helical gear clusters are in constant mesh, with the fifth gear assembly located on an intermediate plate mounted on the rear end of the gearbox. Gear engagement is made by sliding synchromesh hubs. Gearchanges are made via a central floor-mounted gear lever.

Maintenance

2 Maintenance is limited to periodically checking the oil level, topping up as required, renewing the oil, and visually inspecting the transmission for oil leaks. The most likely source of an oil leak will be from the driveshaft seals.

Oil level - checking

3 For improved access, jack up the vehicle and support it on axle stands. Note that the vehicle must be level in order to carry out this check.

4 If the transmission is hot due to the car having been driven recently, allow it to cool before making the check; oil foams when hot and can produce a false level reading. Wipe the area around the filler plug then unscrew and remove the plug from its location in the front of the casing. The oil should be level with the base of the filler plug hole.

5 If necessary, top up with oil of the specified grade.

6 On completion refit the filler plug, wipe clean any oil spillage, then lower the car to the ground.

Oil - renewal

7 The transmission oil should ideally be drained when hot (directly after the vehicle has been used). For improved access, jack up the vehicle and support it on axle stands. Note that the vehicle must be level to ensure a correct level reading when topping up.

8 Wipe clean the area around the filler plug on the front face of the transmission casing, then unscrew and remove the plug.

9 Position a suitable container underneath the drain plug (located at the left-hand end of the transmission). Unscrew the plug and allow the oil to drain into the container. Oil will start to drain before the plug is fully withdrawn so take precautions against scalding. Wait about ten minutes to allow the oil to drain fully.

10 When the oil has finished draining, clean around the threads of the drain plug and its location in the transmission casing, then refit the plug and tighten it.

11 Refill the transmission with the specified quantity and grade of oil through the filler/lever plug hole. With the vehicle level and the transmission cold check the oil level as described above, then refit and tighten the plug. Lower the vehicle to complete.

Gearlever and linkages - general

12 The component parts of the gearchange and selector assemblies are shown in Figs. 13.91 and 13.92. They do not normally

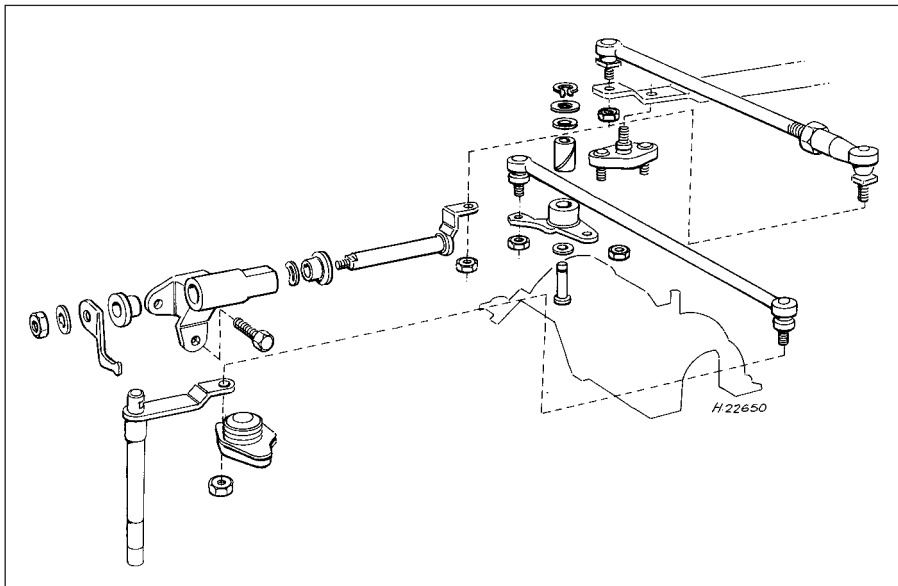


Fig. 13.91 Exploded view of the gear selector lever, rod and linkage components on 1372 cc models (Sec 12)

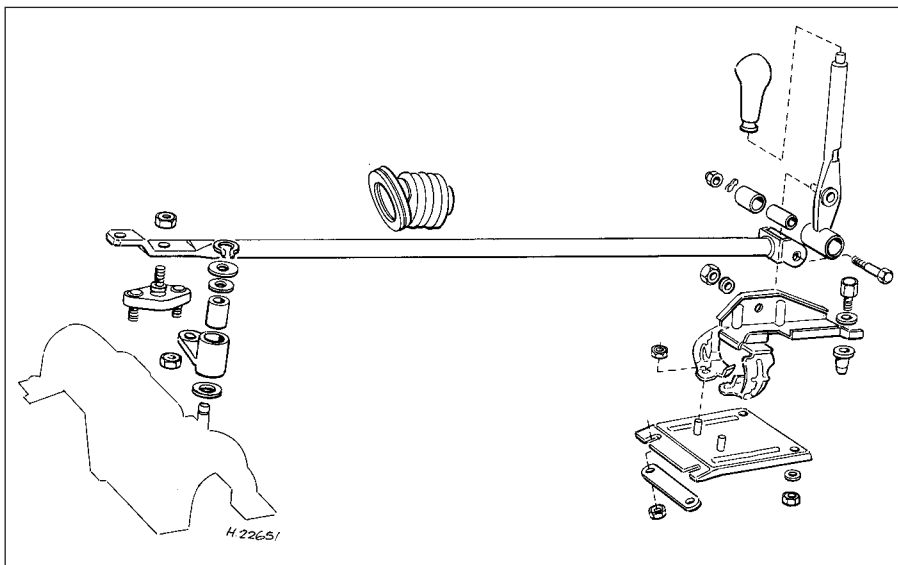
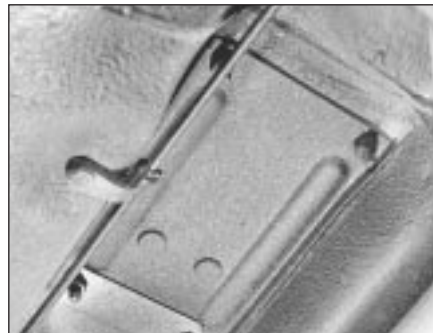


Fig. 13.92 Exploded view of the gear selector and control rod assembly components fitted to 1372 cc models (Sec 12)



12B.15A Gear lever connection to the main connecting rod on the 1372 cc engine



12B.15B Access cover to gear lever lower connection to rod on the 1372 cc engine

require maintenance other than general inspection for wear in the linkage joints. If excessive wear is found in any of the joints, they can be individually detached and renewed.

13 Access to the control rods is eased by detaching and lowering the exhaust system from the exhaust manifold.

14 If a new adjustable control rod is to be fitted, remove the original rod as a unit, but do not alter its adjustment for length. The new rod can then (if required) be set to the same length as the original in order to maintain the original setting. Do so by loosening off the locknut and turning the balljoint as required; ensure that the angle of the joint is correct before tightening the locknut.

15 Access to the gear lever/main connecting rod joint from above is made by prising back the gear lever gaiter from the centre console. Access from underneath can be made by raising and supporting the car on axle stands. Working from the underside of the lever, undo the retaining nuts and remove the inspection plate from the floor (photos).

16 Any adjustment to the gear linkage should be entrusted to a FIAT dealer.

Transmission - removal and refitting



17 The transmission can be removed together with the engine and then separated as described in Section 7, or on its own (as described below), leaving the engine in position in the car. Before starting to remove the transmission, it should be noted that suitable equipment will be required to support the engine during this procedure.

18 Disconnect the battery negative lead.

19 Remove the bonnet as described in Chapter 12.

20 Refer to Section 11 in this Chapter for details and detach the clutch operating cylinder together with its mounting bracket from the top of the transmission, but do not disconnect the hydraulic fluid hose from the cylinder connection. Leave the cylinder attached to the bracket. Tie the cylinder and bracket up to support them out of the way.

21 Reaching down between the transmission and the bulkhead, unscrew the knurled retaining nut and withdraw the speedometer cable from the transmission.

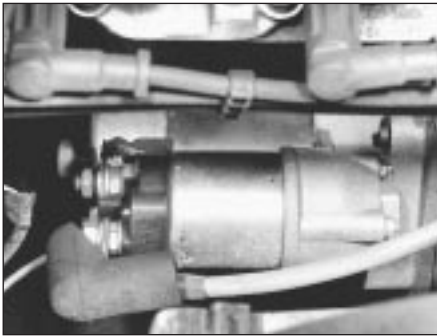
22 Remove the front roadwheel trims, then loosen off the front wheel retaining bolts. Raise the vehicle and support it on axle stands at a suitable height to allow working underneath and eventual transmission removal from under the front end.

23 Drain the transmission oil as described previously in this Section.

24 Disconnect and remove the starter motor (photos).

25 Detach the reversing light switch lead connector.

26 Undo the retaining bolt and detach the earth lead from the rear end of the transmission (see photo 7C.33). Refit the bolt once the lead has been disconnected.



12B.24A Starter motor electrical connection . . .

27 The engine must now be supported at its left-hand end. If the engine/transmission lift bracket is unbolted it can be attached at another suitable position on the engine and the lift sling/tool attached to it, but take care not to attach it to a weak fixing point.

28 The engine will need to be supported using an engine lift beam/support bar of the type shown in Fig. 13.93. A strong wood or metal beam resting on blocks in the front wing drain channels will suffice, or alternatively use an engine lift hoist and sling.

29 Refer to Section 13 in this Chapter and Section 2 in Chapter 7 for details and remove the front driveshaft each side.

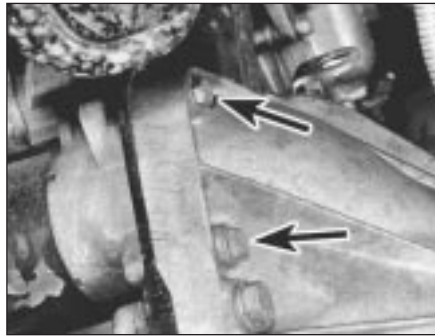
30 Prise back the tabs of the retaining washers, then undo the retaining nuts and detach the exhaust downpipe from the manifold. Detach the exhaust mounting bracket (where applicable) and lower the exhaust to allow access to the gearchange linkages.

31 Disconnect the gearchange control and selector link rod balljoints (photo). Do not alter their lengths or the adjustment setting will be affected.

32 Using a small diameter pin punch, drive the retaining pins from the retaining clips which secure the left-hand side underwing shield. Prise free the clips and detach the shield.

33 Undo the retaining bolts and remove the lower cover plate from the flywheel housing (photo).

34 Position a trolley jack under the transmission with an interposed block of



12B.24B . . . and retaining bolts (arrowed) on the 1372 cc ie engine

wood to protect the casing and spread the load. Raise the jack to support the weight of the transmission.

35 Check that the weight of the engine is securely supported, then unbolt and detach the front engine mounting unit, then the rear engine mounting unit.

36 Unscrew and remove the remaining bolts securing the transmission to the engine. As they are removed, note the position of any brackets or additional fixings secured by these bolts (photo).

37 Check around the transmission to ensure that all fixings are detached from it and out of the way, then carefully pull the transmission free from the engine dowel pins. If possible engage the aid of an assistant to help in guiding or lowering the unit as it is removed. As the unit is withdrawn from the engine, take care not to place any strain on the input shaft. Once the input shaft is clear of the clutch, the transmission can be lowered and manoeuvred from underneath the car. If available, lower the unit onto a suitable crawler board to ease its withdrawal from under the front end of the car.

38 Dismantling and overhaul of this transmission is not recommended. If the transmission has covered a high mileage it is likely that several internal components are in need of renewal. The cumulative cost of renewing all worn and defective components will almost certainly make overhaul uneconomical when compared with the cost of a new or service exchange transmission from a FIAT dealer or transmission specialist.



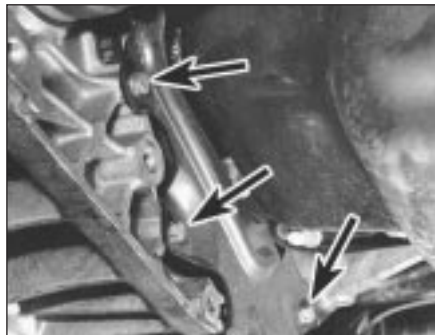
Fig. 13.93 FIAT lift beam/support bar in place to support the weight of the engine. Inset shows lift hook engagement point - 1372 cc models (Sec 12)

39 Refitting is a reversal of the removal procedure, but note the following special points.

- Ensure that the engine and transmission mating surfaces and the dowel pins are clean and that all clutch components are in good condition.
- Apply a thin smear of molybdenum disulphide grease to the splines of the input shaft. Do not over-lubricate though or the grease may work its way onto the clutch friction surfaces and cause clutch slip.
- Raise the transmission so that it is in-line with the engine, engage the end of the input shaft into the clutch driven plate hub and align the splines of each to enable the transmission to be pushed home. It may well be necessary to turn the flywheel a fraction so that the splines align for re-engagement
- Do not fully tighten the engine and transmission retaining bolts until all are attached.
- Tighten all retaining bolts and nuts of the specified torque wrench settings (where given).
- Refer to Section 13 in this Chapter for details on refitting the driveshafts.
- Refill the transmission with the specified quantity and grade of oil before lowering the car to the ground (see paragraph 11).



12B.31 Gear control and selector link rod joints



12B.33 Lower cover plate and retaining bolts (arrowed)



12B.36 Transmission upper retaining bolts. Note bracket under the left-hand bolt

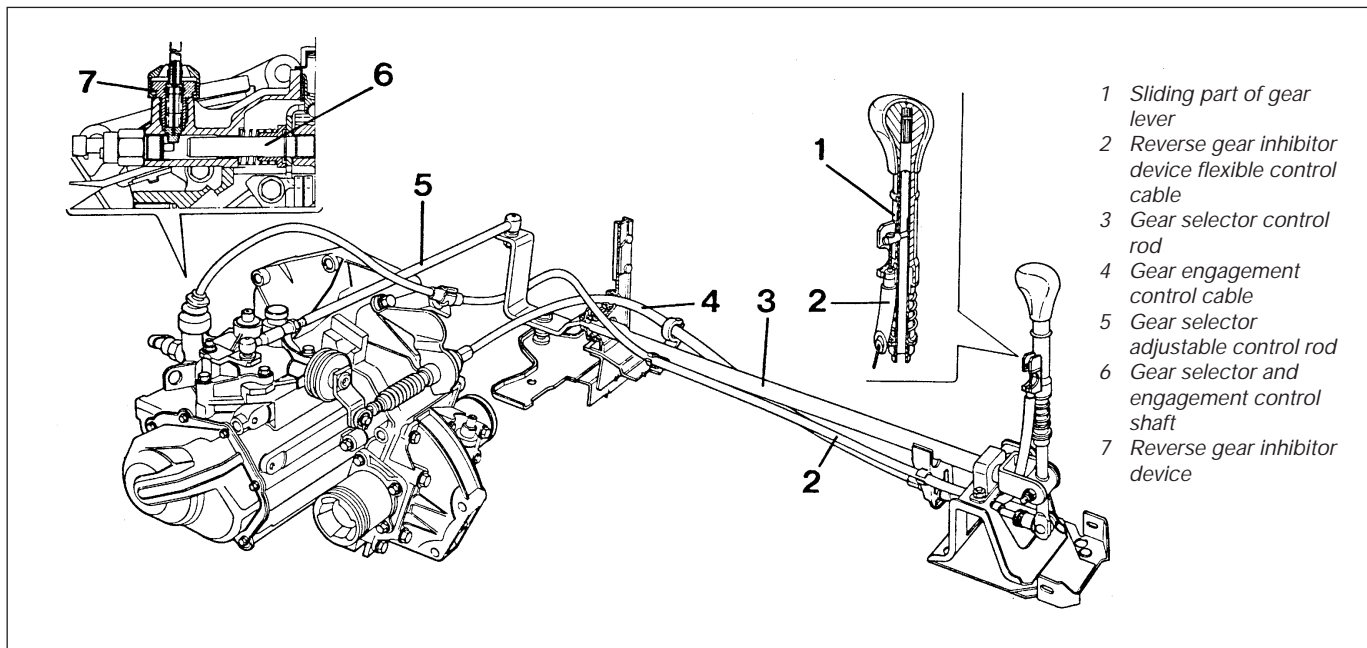


Fig. 13.94 C514 type 5-speed transmission

PART C: 999 CC AND 1108 CC WITH C514 TYPE TRANSMISSIONS

Description

1 A new 5-speed transmission was introduced to selected models during 1992. Identified by the way reverse gear is engaged. The gear knob needs to be pressed downwards whilst pushing the lever to the extreme right.

2 The new design includes control cables as well as rods for gear selection, see Fig. 13.94.

Maintenance

3 At the time of writing, no maintenance instructions were available, however should selecting gears become difficult, check the following.

4 The gear lever should rest vertically in neutral. If it does not, alter the gear selector adjustable rod, as appropriate.

5 Whilst turning the adjustment nut, counterhold with a 10 mm open ended spanner, located in the notch built into the sleeve. Refer to Fig. 13.95.

13 Driveshafts

Inboard joint boots (non-Turbo models, September 1987 on) - modification

1 Modified boots have been fitted to the differential ends of the driveshafts on non-Turbo models produced after September 1987.

2 The new boots incorporate a seal/bearing assembly, and it is very important when a boot is being fitted to the driveshaft that it is located as shown in Fig. 13.96.

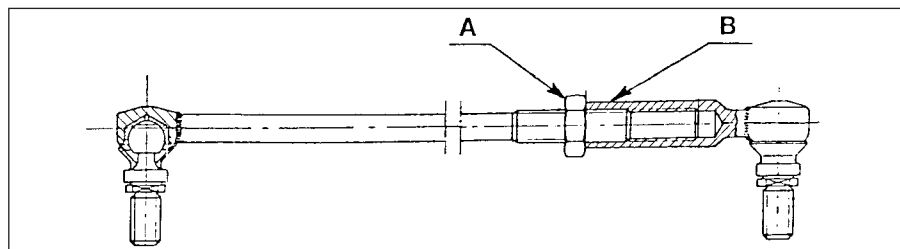


Fig. 13.95 Gear selector adjustable rod (C514 type transmissions)

A Adjusting nut B Location of notch in outer sleeve

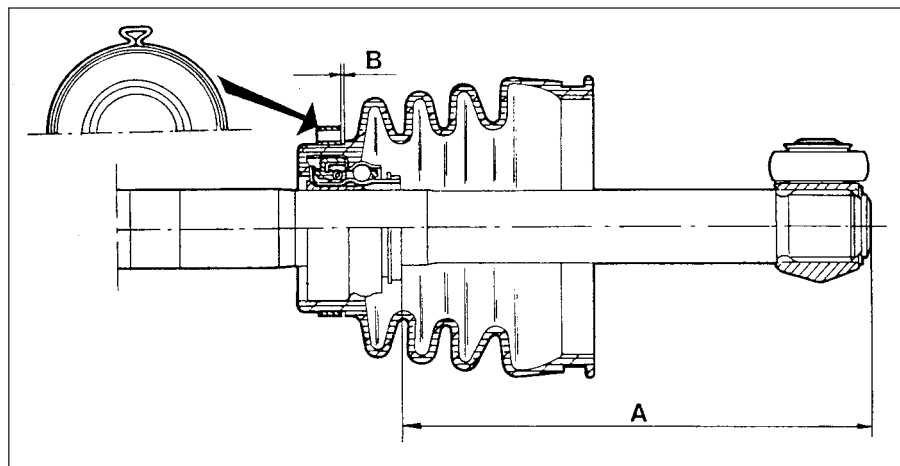


Fig. 13.96 Driveshaft boot positioning diagram - later non-Turbo models (Sec 13)

Left-hand shaft

With 4-speed transmission,

A = 143.0 mm (5.63 in)

With 5-speed transmission,

A = 133.0 mm (5.24 in)

Right-hand shaft

With 4-speed transmission,

A = 123.0 mm (4.84 in)

With 5-speed transmission,

A = 108.9 mm (4.25 in)

B = 0 to 1 mm (0 to 0.04 in)

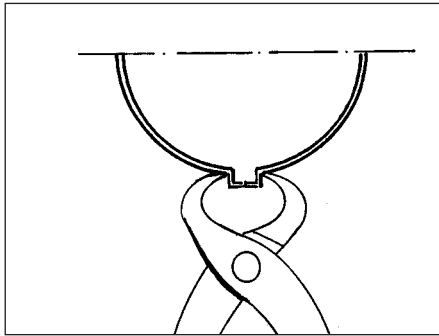


Fig. 13.97 Crimping the driveshaft boot securing band (Sec 13)

3 The boot retaining band must be crimped using suitable pinchers at the highest point on the boot.

Intermediate driveshaft (Turbo ie models)

Description

4 On these models, an intermediate driveshaft is fitted between the final drive of the transmission and the flange of the right-hand driveshaft.

5 A support bearing assembly for the intermediate shaft is bolted to the engine crankcase. The bearing carrier also acts as the alternator bracket.

Removal

6 Drain the transmission oil. Disconnect the right-hand driveshaft from the intermediate shaft flange, move the driveshaft aside, and support it.

7 Unscrew and remove the bolts which hold the intermediate shaft retainer plate to the crankcase support bracket.

8 Withdraw the intermediate shaft from the final drive housing. The shaft assembly, complete with bearing, will pass through the crankcase support bracket until the bearing retainer and flexible boot can be slipped off the shaft.

Bearing renewal

9 The bearing on the intermediate shaft can

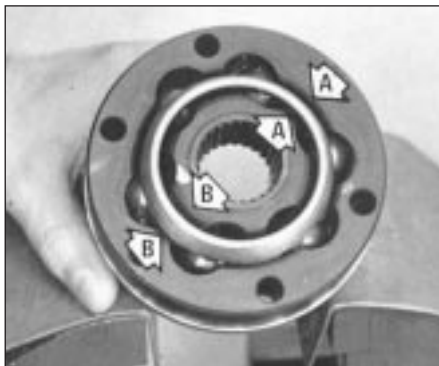


Fig. 13.100 CV joint housing and ball cage alignment marks (A and B) - Turbo ie models (Sec 13)

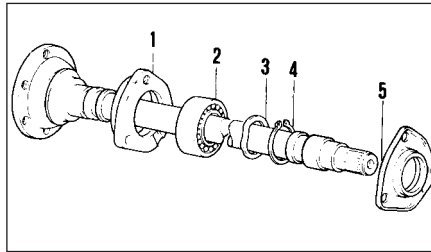


Fig. 13.98 Components of the intermediate driveshaft - Turbo ie models (Sec 13)

- | | |
|---------------------------|---------------|
| 1 Bearing retaining plate | 3 Wave washer |
| 2 Ball bearing | 4 Circlip |
| | 5 Bearing cap |

be renewed after removing the plate, circlip and washer, and pressing the shaft out of the bearing.

10 When fitting the new bearing, apply pressure only to the inner track, and do not apply any heat.

Refitting

11 This is a reversal of removal. Tighten all bolts to the specified torque and replenish the transmission oil.

Inboard CV joints (Turbo ie models) - overhaul

12 A worn joint is best renewed, but it may be necessary to dismantle it for cleaning, if replacement of a split boot has been neglected.

13 Disconnect the boot securing clip and pull the boot up the shaft. Wipe away the old grease.



13.18 Removing inboard CV joint ball/cage assembly from outer track



13.19B Separating inner and outer cage members



Fig. 13.99 Extracting the CV joint circlip - Turbo ie models (Sec 13)

14 Extract the joint securing circlip and pull the joint from the shaft.

15 Renew the joint complete if it is worn or damaged.

16 Before dismantling the joint, align the housing and ball cage marks "A" and "B" (Fig. 13.100).

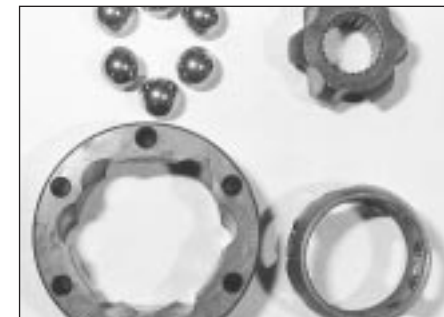
17 Tap the joint from its backplate.

18 Turn the ball/cage assembly through 90°, mark its relative position to the outer track and withdraw it (photo).

19 The balls are a light snap fit in the cage. Once they are removed, the inner and outer cage members can be separated; again, mark the side of the cages in relation to the outer track (photos).



13.19A CV joint balls and cage



13.19C Components of CV joint



13.21 Outer track reference groove



13.24 Right-hand driveshaft damper weight

20 When reassembling, pack the joint with special FIAT Tutela MRM2 lubricant; if this is not available, use molybdenum disulphide grease.

21 The reference groove on the outer track must be assembled so that it is towards the final drive when refitted (photo).

22 Pack the joint and the inside of the boot liberally with the specified grease.

23 If a new joint is being fitted to the shaft, make sure that the joint and shaft colour codes match.

Shaft colour	Joint colour
Blue	Blue or white
Red	Red or white

Right-hand driveshaft damper weight (1108 cc and 1372 cc ie models) - removal and refitting

24 A damper weight is fitted to the longer, right-hand driveshaft to reduce vibration (photo).



14A.2A Front brake pad locking block is secured by a clip on the inboard end of the brake unit on certain models

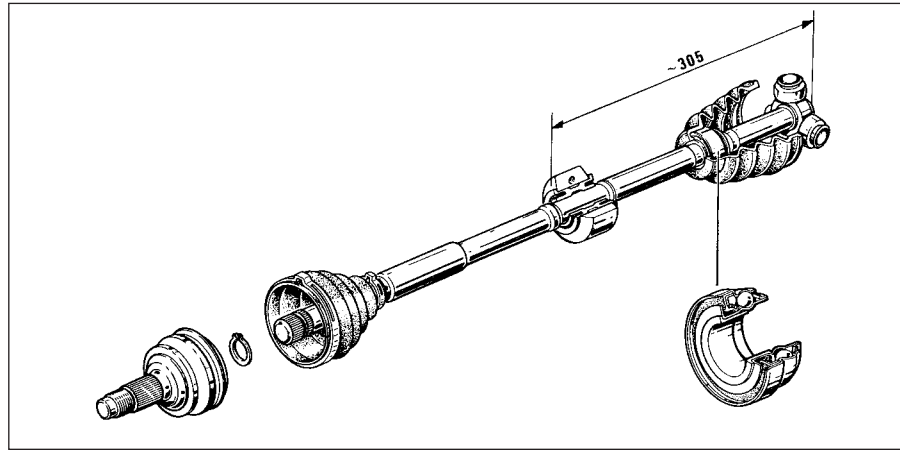


Fig. 13.101 Correct position of driveshaft damper weight on 1108 cc and 1372 cc ie models (Sec 13)

Dimensions in mm

25 It should not be necessary to remove the damper weight unless the driveshaft is to be renewed, or the weight has been damaged.

26 The weight is in two halves, and can be removed by simply unscrewing the two clamp bolts securing the two halves to the driveshaft. Note that the weight locates on a rubber mounting which is split along its length, and can simply be pulled from the driveshaft for renewal if necessary.

27 Refitting is a reversal of removal, but ensure that the damper weight is positioned exactly as shown in Fig. 13.101.

2 On some models the clip securing the disc pad locking block is located on the inboard end, rather than the outer end (shown in Chapter 8). To ensure correct reassembly, check the location of the original block retaining clip before dismantling the brake unit. The alternative fixing arrangement is shown in the accompanying photos, in this instance on a 1372 cc ie model (photos).

PART B: BRAKING SYSTEM - TURBO IE MODELS

Description

1 Disc brakes are fitted to all four wheels on the Turbo ie models. The front disc brakes are of different design from those used on other models, in that the wear in the pads can be checked without the need to remove the caliper cylinder housing.

Front disc pads - renewal

2 Raise the front of the car and remove the roadwheels.

3 Check the thickness of the friction material on the pads through the aperture in the caliper cylinder body. If the thickness of the material is 1.5 mm or less, then the pads on both sides must be renewed (photo).

14 Braking system

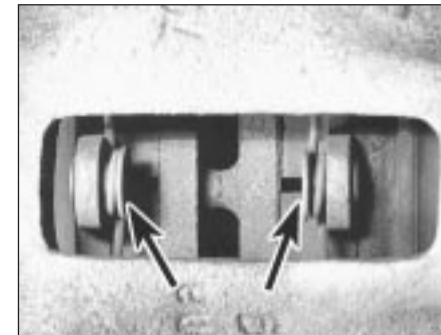
PART A: BRAKING SYSTEM - GENERAL

Front brake pads - all later models

1 The front brake pads have modified anti-vibration plates and a wire spring fitted to prevent them from vibrating and knocking in operation.



14A.2B Front brake locking block orientation with inboard retaining clip



14B.3 Front disc pads (arrowed) on Turbo ie model



14B.4 Unscrewing the caliper cylinder housing lower guide bolt

4 Using a ring spanner and an open-ended spanner, unscrew and remove the caliper cylinder housing lower guide bolt (photo). Release the upper bolt, but do not remove it.

5 Swivel the cylinder housing upwards and tie it up out of the way. There is no need to disconnect the hydraulic hose. The sensor wiring plug will have to be disconnected (where fitted).

6 Remove the pads, complete with anti-rattle springs (photo).

7 Clean away all dust and dirt, taking care not to inhale it as it may be injurious to health.

8 The caliper piston must now be fully depressed to accommodate the new, thicker, pads. Do this using a G-clamp or lever, but anticipate a rise in the brake fluid reservoir level by syphoning out some of the fluid using a clean syringe.

9 Fit the new pads, which must be of the same type as the originals, complete with anti-rattle springs.

10 Locate the cylinder body. The fixing bolts are of self-locking type, and should be renewed whenever they are loosened or removed. If new ones are not available, clean the threads of the old ones thoroughly and apply thread-locking fluid (photo). Tighten the bolts to the specified torque. Check that the rubber dust excluders are in good condition.

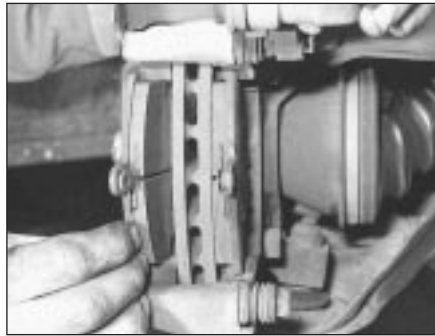
11 Reconnect the sensor wiring plug.

12 Renew the pads on the other front wheel.

13 Refit the roadwheels, and then apply the footbrake several times to position the pads against the discs.



14B.23 Rear brake pad inspection aperture



14B.6 Disc pad and anti-rattle spring removal

14 Top up the brake fluid reservoir if necessary (photo).

Front disc caliper - removal and refitting

15 Raise the front of the car and remove the appropriate roadwheel.

16 Using a ring spanner and an open-ended spanner, unscrew and remove the cylinder housing fixing bolts.

17 Withdraw the cylinder housing, and then, holding it firmly, release the flexible hydraulic hose union. Unscrew the cylinder body from the end of the flexible hose, and then cap the end of the hose to prevent loss of fluid.

18 If required, the disc pads can be removed and the caliper support bracket unbolted and removed.

19 Refitting is a reversal of removal, but use new fixing bolts.

20 Bleed the front hydraulic circuit.

Front disc caliper - overhaul

21 The operations are as described in Chapter 8, Section 5, paragraphs 6 to 13.

Front brake disc - inspection, renovation or renewal

22 The operations are as described in Chapter 8, Section 6, but the caliper fixing bolts are secured with thread-locking fluid; lockplates are not used.

Rear disc pads - renewal

23 Any wear in the disc pads can be observed through the aperture in the caliper



14B.26 Withdrawing the rear brake caliper



14B.10 Applying thread-locking fluid to the bolt threads

cylinder body, once the car has been jacked up and the roadwheels removed (photo).

24 If the thickness of the pad friction material is less than 1.5 mm, renew the pads on both sides in the following way.

25 Using a ring spanner and an open-ended spanner, unscrew the caliper cylinder body fixing bolts.

26 Withdraw the caliper and remove the disc pads, complete with anti-rattle springs (photo).

27 Clean away all dust and dirt, but avoid inhaling it, as it may be injurious to health.

28 Fully retract the caliper piston in order to accommodate the new, thicker, pads. To do this, rotate the piston clockwise, using a suitable tool engaged in the handbrake sectors (photo). Anticipate a rise in the brake fluid reservoir level by syphoning out some fluid, using a clean syringe.



14B.14 Topping up the brake fluid reservoir (1301 cc Turbo ie model)



14B.28 Rotating a rear caliper piston



14B.29 Rear disc pad

29 Fit the new pads, complete with anti-rattle springs (photo).

30 Refit the caliper using new self-locking bolts, or if not available, apply thread-locking fluid to clean threads of the original bolts. Tighten the bolts to the specified torque.

31 Apply the brake pedal several times to bring the disc pads up against the disc.

32 Top up the brake fluid reservoir if necessary.

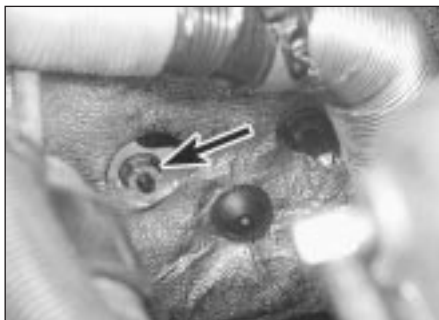
33 Check the adjustment of the handbrake.

34 Refit the roadwheels and lower the car to the ground.

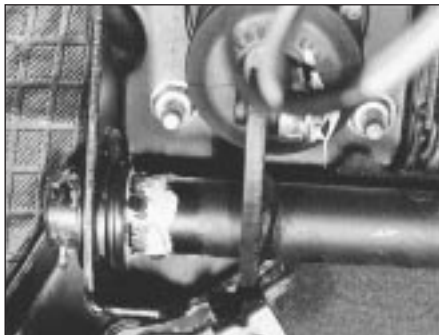
Rear disc caliper - removal, overhaul and refitting



35 Carry out the operations described in paragraphs 25 to 27.



14B.45 Brake pedal cross-shaft fixed nut (arrowed) on engine compartment rear bulkhead



14B.46 Left-hand end of brake pedal cross-shaft



14B.36 Disconnecting the handbrake cable from the caliper lever

36 Disconnect the handbrake cable from the caliper. To do this, grip the cable nipple and pull it until the cable can be slipped out of its lever groove (photo). If necessary, slacken the cable adjustment.

37 Using a pair of pliers or similar tool, turn the piston in an anti-clockwise direction until it can be removed from the cylinder.

38 Having obtained a repair kit, renew the seal and dust excluder.

39 Reassemble the piston to the cylinder, turning it clockwise as far as it will go.

40 Reconnect the handbrake cable.

41 Carry out the operations described in paragraphs 30 to 32.

Rear brake disc - inspection, renovation or renewal



42 The operations are as described in Chapter 8, Section 6, but the caliper bracket fixing bolts are of the socket-headed type and thread-locking fluid is used, not lockplates (photo).

Pressure regulating valve

43 The valve renewal and adjustment operations are described in Chapter 8, Section 10, but the luggage compartment should be loaded with 45 kg and the load applied to the bracket eye should be 11 kg.

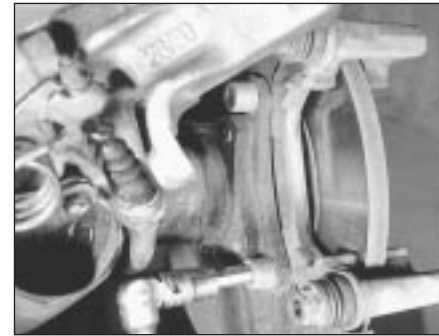
Brake pedal - removal and refitting



44 The brake master cylinder and vacuum servo are mounted on the left-hand side of the



14B.47 Right-hand end of brake pedal cross-shaft



14B.42 Unscrewing a rear caliper bracket bolt

engine compartment rear bulkhead. In consequence, the brake pedal on right-hand drive cars operates through a cross-shaft, which is located underneath the fascia panel inside the car.

45 The cross-shaft is supported in two brackets, whose mounting nuts can be reached through cut-outs in the insulation on the engine compartment rear bulkhead (photo).

46 To remove the cross-shaft, working inside the car, take off the cover from the left-hand end of the shaft, and then disconnect the servo pushrod from the crankarm on the cross-shaft (photo).

47 Disconnect the brake pedal from the right-hand crankarm on the cross-shaft (photo).

48 Disconnect the accelerator pedal by extracting the split pin which secures its pivot spindle.

49 The cross-shaft may now be removed after extracting the cotter pin from the left-hand end of the shaft.

50 Push the shaft first to the right, and then to the left, to release it from its brackets.

51 Alternatively, the cross-shaft, complete with brackets, may be removed as an assembly if the bulkhead nuts are unscrewed.

52 Removal of the brake and clutch pedals is described in Chapter 5, Section 4, but note that on hydraulic clutch models, the master cylinder will also require removal as described in Section 11 of this Chapter.

53 Refitting is a reversal of the removal procedure.



14B.54 Master cylinder/vacuum servo located next to the coolant expansion tank (1301 cc Turbo ie model)

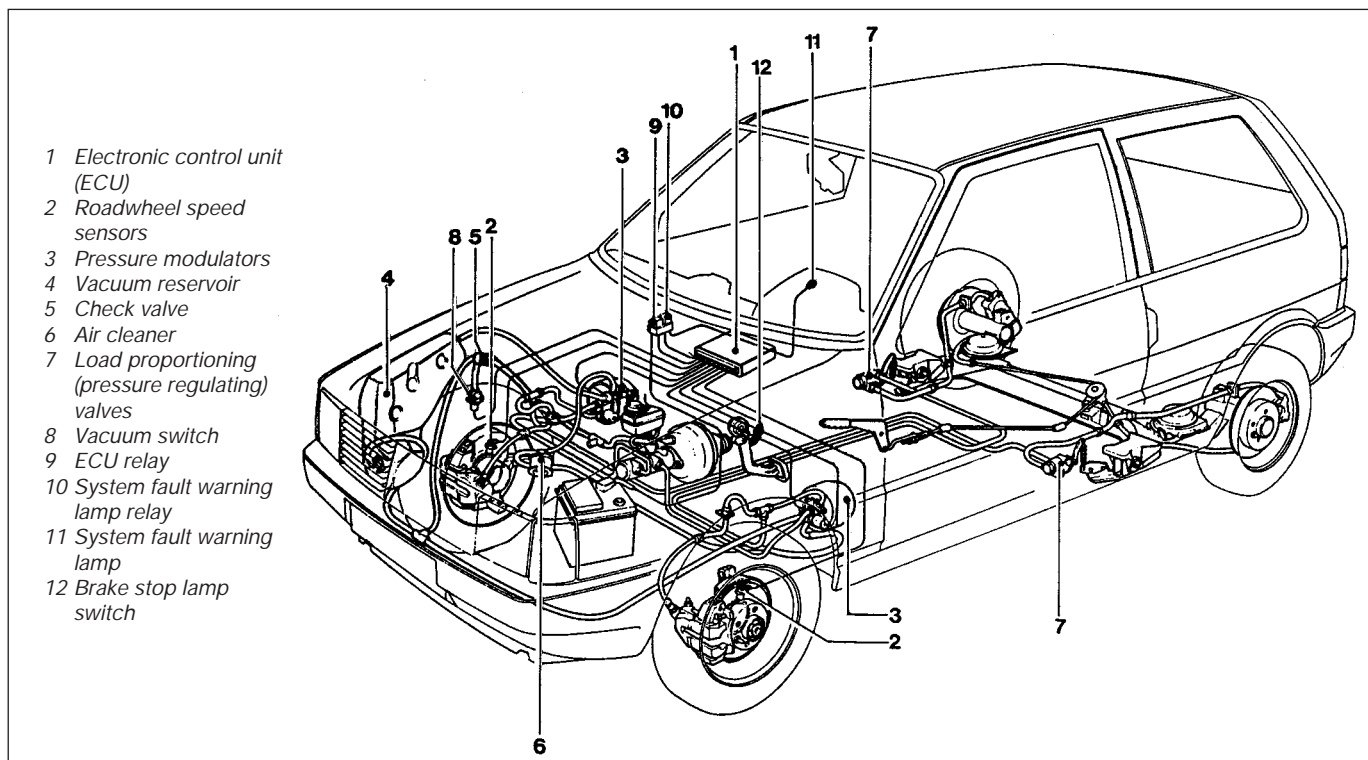


Fig. 13.102 Braking system on Turbo ie Antiskid models (Sec 14)

Vacuum servo unit and master cylinder - general

54 Access to the vacuum servo unit and the master cylinder can only be obtained after the cooling system expansion tank has been released and moved aside (photo).

Antiskid system - description

55 This system is available as an option on the Turbo ie models only.

56 The purpose of the system is to prevent the wheel(s) locking during heavy brake applications. This is achieved by automatic release of the brake on a roadwheel which is about to lock up, after which the brake is re-applied. This cycle is carried out many times per second under heavy braking, retaining full steering control to avoid any hazards.

57 The main components of the system are shown in Fig. 13.102. The control module processes the signals received from the sensors, and compares them with deceleration values of the roadwheel and the slip values of the tyre, which are stored in the module memory.

58 When reference values are exceeded and wheel lock is imminent, the control module signals the pressure modulators, which in turn decrease the brake hydraulic pressure.

59 Vehicle road speeds are also taken into account by the module's electronic circuits.

60 In order to retain optimum system performance, the tyres and wheels should

always be of the type originally fitted by the vehicle manufacturer.

61 Maintenance of the system should be limited to checking the security of all electrical and hydraulic connections. Individual components are not repairable, and must be renewed complete if faulty.

15 Electrical system

Alternator (999 and 1108 cc models) - removal and refitting



1 To remove the alternator from 999 cc engine models, disconnect the leads from the terminals on its rear face.

2 Extract the screws and remove the plastic drivebelt guard.

3 Slacken the mounting and adjuster bolts, push the alternator in towards the engine and remove the drivebelt.

4 Remove the mounting and adjuster bolts, and withdraw the alternator downwards through the gap between the right-hand driveshaft and the engine sump pan (photo).

5 Refitting is a reversal of removal; re-tension the drivebelt.

Alternator (later models) - removal and refitting



6 Disconnect the battery negative lead.

7 Loosen off the right-hand front roadwheel

bolts, then raise and support the car at the front end on axle stands. Remove the right-hand roadwheel.

8 Remove the wheel arch underwing shield by driving the compression pins from the centre of the retaining clips (using a 2 mm drift), then prise free the panel retaining clips and remove the shield. Keep the pins and clips in a safe place and renew any that may have been damaged during removal (photo).

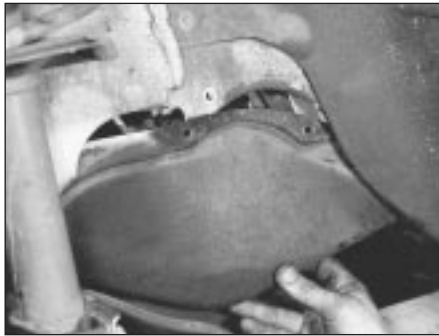
9 Detach the wiring connector from the alternator.

10 Release the alternator mounting and belt adjuster link bolts, and take off the drivebelt.

11 Take out the alternator top and bottom mounting bolts.



15.4 Removing the alternator from the 999 cc engine



15.8 Remove the wheel arch lower guard panel for access to the alternator



15.12A Alternator air cooling hose



15.12B Alternator rear cover and fixing nut

12 Disconnect the air cooling hose from the rear cover of the alternator, and then unscrew the fixing nuts and take off the rear cover with hose spout. Mark the position of the cover on the alternator before removing it, so that the spout will be correctly positioned when refitted (photos).

13 Unbolt the driveshaft bearing support/alternator bracket from the engine crankcase, and swivel the support downwards to provide space for withdrawal of the alternator (photo).

14 Withdraw the alternator from under the right-hand front wing (photo).

15 Refit in the reverse order of removal. Refit the drivebelt and ensure correct engagement with the pulleys, then set the drivebelt tension and tighten the alternator retaining nuts.

Alternator brushes - renewal



16 Depending on model, the brush holder is secured by two screws, which should be extracted and the brush holder removed (photos).
17 New brushes and the holder are supplied as an assembly.

Starter motor (999 cc models) - removal and refitting



18 To remove the starter motor from 999 and 1108 cc models, first disconnect the leads from the starter motor terminals.

19 Release the washer fluid reservoir flexible bag from the engine compartment rear bulkhead and move it to the left-hand side.

20 Unscrew the starter motor mounting

bolts, withdraw the starter from the flywheel bellhousing, and then lift it out of the left-hand side of the engine compartment (photo).

21 Refitting is a reversal of removal.

Starter motor (1301 cc Turbo ie, 1372 cc ie, 1372 cc Turbo ie) - removal and refitting



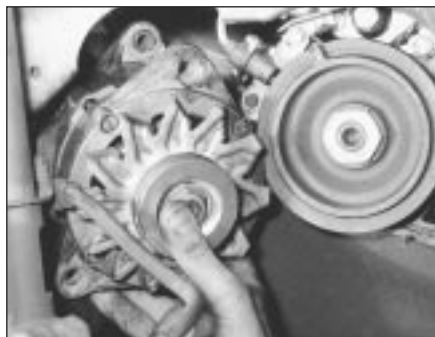
22 Disconnect the battery. Working from under the front end of the car, unscrew the starter motor mounting bolts and disconnect the electrical leads.

23 Withdraw the starter motor downwards. On Turbo models, there is just enough clearance, if the oil cooler hose and the oil pressure switch lead are deflected carefully aside (photos).

24 Refit by reversing the removal operations.



15.13 Driveshaft bracket swivelled downwards



15.14 Withdrawing the alternator



15.16A Extracting the alternator brush holder screw



15.16B Removing the alternator brush holder




15.20 Starter motor removal from the 999 cc engine



15.23A Starter motor removal from the 1301 cc Turbo ie engine



15.23B Starter motor and wiring connections on the 1372 cc ie engine

Starter motor brushes (later models) - renewal 

25 When renewing the starter motor brushes on later models, the old brushes will need to be crushed (in a vice or with a hammer) and their leads then soldered to the new brushes.

Fuses - later models

26 The fuse arrangement is slightly different on later models, but the circuits protected are still identified by a symbol. Refer to the Specifications Section for full details. Note also the terminal block with plastic cover, which can be used to isolate the battery from the electrical system by disconnecting the leads from the terminals (photos).

Relays (Turbo ie models) - general

27 On Turbo ie models, the relays mounted in the fuse block are as shown in Fig. 13.103. Additional relays are located as follows:

Headlamp relay - on lead under main fuse block

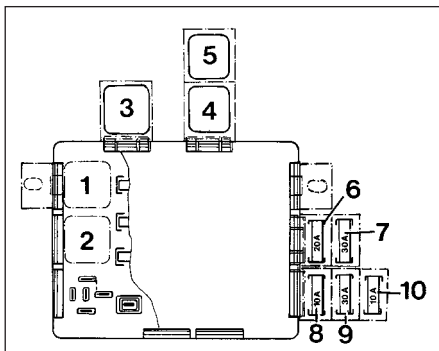
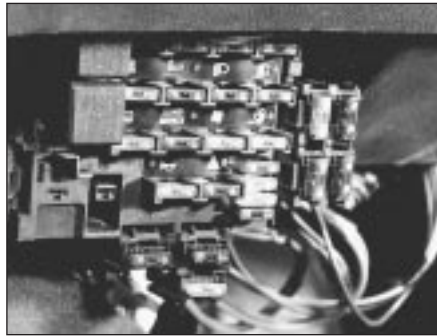


Fig. 13.103 Auxiliary fuses and relays on 1301 cc Turbo ie models (Sec 15)

- 1 Horn relay
- 2 Heated rear screen relay
- 3 Foglamps relay
- 4 Radiator fan relay
- 5 Electric windows relay
- 6 Foglamps fuse
- 7 Radiator fan second speed fuse
- 8 Fuel injector fan fuse
- 9 Electric windows fuse
- 10 Electric fuel pump fuse



15.26A Fuse block on the 1301 cc Turbo ie model

Fuel injection system main control relay - adjacent to airflow meter

Headlamps later models

28 The headlamp units fitted on later models differ according to model, but the bulb and unit replacement details are generally the same as described for previous models in Chapter 9. Note that the rubber cover can only be fitted with the tab to the top as shown (photo).

Headlamp beam adjusters for load compensation - later models

29 Some later models are fitted with headlamp beam adjusters which allow



15.28 Headlamp unit fitted to the 1372 cc ie model



15.26B Battery lead terminal block on the 1301 cc Turbo ie model

temporary resetting to be made (such as when the car is fully loaded). Access to these adjusters is made by lifting the bonnet (photo). 30 Turn the adjusters anti-clockwise to lower the beam to the normal level or clockwise to raise the beam (when the car is unloaded). Repeat the procedure on the opposite headlamp unit an equal amount.

31 Other later models have separate horizontal and vertical beam adjusters, positioned as shown (photos). A load compensating lever is attached to the adjusters to enable temporary resetting of the headlamp beams, without changing the normal adjustment. Turn the lever to the appropriate side (right or left) to make the adjustment as required. The normal setting



15.29 Headlamp beam adjuster on the 999 cc Turbo ie model



15.31A Headlamp horizontal beam alignment adjuster screw on a 1372 cc ie model



15.31B Headlamp vertical beam alignment adjuster screw on a 1372 cc ie model. Note the load compensator lever which is set in the "O" (normal load) setting position



15.34 Headlamp dim-dip transformer



15.37A Undo the retaining bolts . . .



15.37B . . . and withdraw the front fog lamp unit . . .

adjustment procedures are the same as those outlined for the previous model units in Chapter 9, but ensure that the load compensation lever is turned to the "O" (normal load setting) position before making any adjustments.

Headlamp unit removal - later models

32 The removal and refitting procedures described in Chapter 9 also apply to the later headlamp type, but note that later units are secured in position by three retaining screws.

Headlamp dim-dip system - description

33 On later models, the wiring circuit has been modified to prevent the car being driven

on parking lamps only in built-up areas.

34 Headlamp intensity is reduced by the transformer located at the front of the engine compartment (photo).

35 Any attempt to start the car with parking lamps only will automatically cause the headlamps to switch on with a low-intensity dipped beam. Dipped and main beam function normally.

36 The headlamp dim-dip system is a legal requirement for all UK models registered after April 1st, 1987.

Front fog lamps - bulb/unit removal and refitting and beam adjustment

37 Ensure that the front fog lamps are switched off, then unscrew the two retaining

screws and withdraw the lamp unit from the underside of the front bumper (photos).

38 Undo the retaining screw and remove the access cover from the unit (photo).

39 Disconnect the wiring connector from the bulb, release the clips and withdraw the bulb from the lamp (photo).

40 Refit in the reverse order of removal. Check the light for satisfactory operation and if the beam requires resetting, turn the adjustment screw in the required direction.

41 To adjust the beam, position the car 5 m from, and square on to, a wall or similar.

42 Measure the height of the centre of the lamp lens from the ground and mark the position on the wall. Switch on the lamp. The demarcation line (cut-off) of the light should be below the mark on the wall by 50 mm plus one-third of the ground-to-lamp centre measurement. Adjust the beam as required using the long centre screw.

Horn - relocation

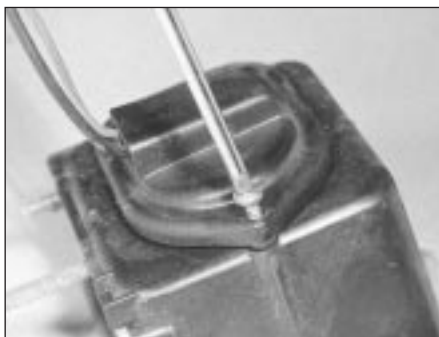
43 The single horn, on applicable models, is now located behind the grille, bolted on a bracket attached to the top rail (photo).

Steering column combination switches (later models) - removal and refitting

44 Disconnect the battery negative lead.

45 Undo the retaining screws and remove the steering column shrouds (photos).

46 Remove the steering wheel as described in Chapter 10.



15.38 . . . remove the rear cover . . .



15.39 . . . detach the wires, extract the bulb



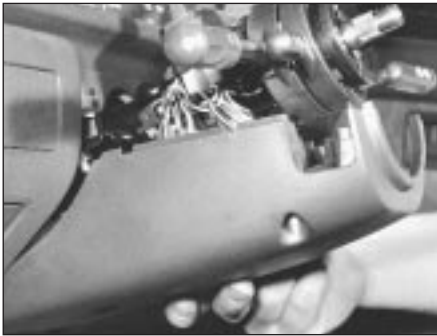
15.43 Horn location



15.45A Undo the retaining screws . . .



15.45B . . . then remove the upper . . .



15.45C . . . and the lower column shroud . . .



15.47A Undo the retaining screw . . .



15.47B . . . and remove the column switch

47 Loosen off the switch-to-column clamp screw, disconnect the wiring connectors to the switch and withdraw the switch from the column (photos).

48 Refit in the reverse order of removal, but ensure that the lug of the switch aligns with the slot in the column as it is fitted into position. Check for satisfactory operation of the switches on completion.

Instrument panel (Turbo ie models) - removal and refitting



49 The instrument panel on these models incorporates an engine oil pressure gauge and a turbo boost gauge. The latter is connected directly to the inlet manifold.

50 Apart from disconnecting the boost gauge rubber hose, the instrument panel removal and refitting procedure is as described in Chapter 9 for the 1301 cc model or from paragraph 57 in this Section for the 1372 cc model.

51 A digital electronic instrument panel is available as an option on Turbo ie models. The removal and refitting procedures differ from analogue instrument panels in respect of the electrical connections - a speedometer drive cable is not used.

Facia-mounted switches (1301 cc Turbo ie model) - removal and refitting



52 Disconnect the battery.

53 Insert a thin-bladed screwdriver into the joint between the switch block and the switch block housing, to depress the plastic retaining tabs. Do this carefully, otherwise the switch block or casing will be damaged.

54 Withdraw the switch block. Individual switches can now be pushed out of the block. Fibre optics are used to illuminate some switches, these simply pull out of their sockets (photos). The illumination bulb is located on a crossmember found behind the instrument pack. Removal of instruments/top cover allows access.

55 The switch housing can be removed after extracting the fixing screws (photos).

56 Refitting is a reversal of removal.

Instrument panel (later models) - removal and refitting



57 Disconnect the battery negative lead.

58 Unscrew and remove the two instrument panel-to-facia retaining screws (photo).

59 Remove the lower facia trim panel, which is secured by two screws and a nut. Reach up to the rear of the instrument panel to disconnect the speedometer cable, then push the panel from its recess in the facia. Disconnect the multi-connectors from the rear face of the panel and withdraw it (photo).

60 Refit in the reverse order of removal. Ensure that the speedometer cable is fully engaged as the unit is refitted into position.



15.54A Switch block withdrawal on the 1301 cc Turbo ie model



15.54B Disconnecting a fibre optic cable from its holder on the 1301 cc Turbo ie model



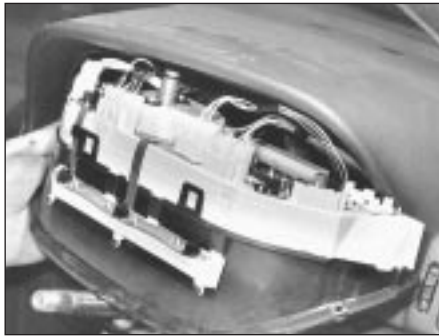
15.55A Facia switch housing lower screw removal on the 1301 cc Turbo ie model



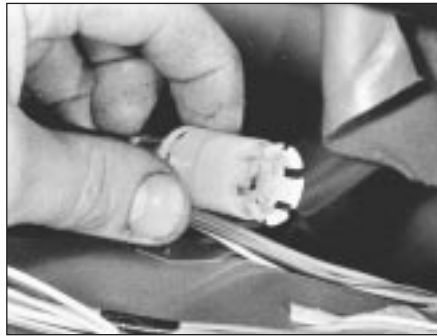
15.55B Facia switch housing inner screw removal on the 1031 cc Turbo ie model



15.58 Remove the retaining screws . . .



15.59A . . . withdraw the instrument panel . . .



15.59B . . . and disconnect the speedometer cable

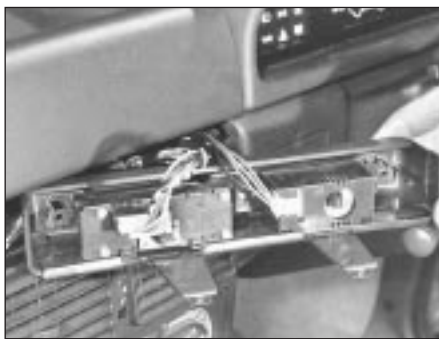


15.62 Prise free the trim covers for access to retaining screws . . .

Auxiliary control panel (later models) - removal and refitting



- 61 Disconnect the battery negative lead.
 62 Insert the flat of a screwdriver under the trim piece at the end of the auxiliary panel as shown and prise it free. Repeat the procedure and remove the trim piece at the other end of the panel (photo).
 63 Undo the retaining screws, withdraw the panel from the fascia. Disconnect the wiring connectors from the panel switches to remove the panel completely (photo).
 64 A switch bulb can be renewed by untwisting the holder and removing the holder and bulb.
 65 A switch unit can be removed from the panel by unscrewing the four retaining screws.



15.63 . . . and withdraw the auxiliary control panel

- 66 Refitting is a reversal of the removal procedure. Ensure that the wiring connections are securely made and check for satisfactory operation of the switches on completion.

Heater control panel (later models) - removal and refitting



- 67 Disconnect the battery negative lead.
 68 Pull free the heater/fresh air and blower control knobs (photo).
 69 Undo the two retaining screws and withdraw the control panel from the fascia (photos). Detach the wiring connectors from the panel illumination lights and remove the panel.
 70 Refitting is a reversal of the removal procedure. Ensure that the wiring connections are securely made and on completion check that the operation of the controls is satisfactory.

Trip master



- 71 This electronic instrument is fitted into the check panel of 1100SL and 1300SL models from 1986.
 72 The device provides information on fuel consumption, range, speed and elapsed time.
 73 With the ignition key turned to MAR, figures are displayed in respect of the last journey - average fuel consumption, average speed and elapsed time (up to switching off the ignition).
 74 As soon as the engine is started, the instrument processes the current values to include fuel consumption, range and the actual time.

- 75 Fuel consumption is only displayed when the road speed exceeds 8.0 km/h (5.0 mph).
 76 The fuel range is only displayed after a road speed of between 25.0 and 70.0 km/h (15.0 to 44.0 mph) has been maintained for at least 90 seconds or at higher speeds for 22 seconds.
 77 A reset button is provided, also a display change button (from instant to average or total values). Should the instrument reading exceed 99 hours, 59 minutes or 1000 km (622 miles) depressing the display change button will display all zeros. Depress button E to resume normal function.
 78 Refer to the end of the manual for a wiring diagram of the check panel, incorporating the trip master.

Interior roof mounted spotlamp, switch and/or clock - removal and refitting



- 79 Disconnect the battery negative lead.
 80 Prise free the lamp unit from its aperture in the roof panel using a thin-bladed screwdriver. The lamp bulb can be inspected by untwisting the holder and withdrawing it from the rear of the unit (photos). Extract the bulb from the holder if it requires renewal.
 81 To remove the lamp switch from the panel, reach through the lamp aperture and press it free from the roof panel (photo). Detach the wiring connectors.
 82 To remove the clock, reach through the lamp aperture and undo the retaining screws (photo). Withdraw the clock and detach the wiring connectors.



15.68 Remove the control knobs . . .



15.69A . . . undo the retaining screws (arrowed)



15.69B . . . and withdraw the heater control panel



15.80A Prising free the roof-mounted spotlamp



15.80B Roof-mounted spotlamp bulb removal



15.81 Roof-mounted spotlamp switch removal

83 Refitting is a reversal of the removal procedure. Reset the clock on completion.

Central door locking system

84 Certain later models, equipped with a central door locking system, have an infra-red remote control for opening the door locks.

85 It is important that the battery used in the hand control is renewed when necessary with one of identical type (Duracell 7H34). This is only available as a FIAT spare part (No 7595393).

86 The remote control door lock receiver unit can be removed by carefully prising it free from the roof panel and disconnecting the wiring connector (photo).

87 If either this unit or the hand control are renewed at any time, recoding will be necessary and this is a task best entrusted to a FIAT dealer.

Cigar lighter (later models) - removal and refitting



88 Pivot back the cover and lift out the ashtray.

89 Undo the retaining screws and remove the trim together with the lighter unit. Detach the wiring connector and release the lighter unit from the panel.

90 Refit in the reverse order of removal.

Electrically operated window switches - removal and refitting



91 The window regulator switches on later models are located in the door pull trim. To remove a switch, prise it free from the trim by inserting a thin-bladed screwdriver under the switch flange, then lever it free from its aperture (photo). Take care not to damage the

trim. Detach the wiring connector to fully remove the switch.

92 Refit in the reverse order of removal and then check the operation of the switch.

Windscreen wiper motor (later models) - removal and refitting



93 Disconnect the battery negative lead.

94 Remove the bonnet as described in Chapter 12.

95 Remove the wiper arm and blade as described in Chapter 9, then unscrew and remove the pivot nut (photo).

96 Undo the air inlet grille retaining screws noting that two are not fitted with washers. Where applicable, remove the washer reservoir filler cap from the reservoir neck protruding through the grille. Carefully prise free and lift the air inlet grille clear of the body.



15.82 Roof-mounted clock retaining screw removal



15.86 Remote control receiver unit removal



15.91 Prising free the window regulator switch from the armrest



15.95 Unscrewing the wiper pivot nut



15.96A Release the air grille from its fixing points . . .



15.96B . . . and detach the windscreen washer hose



15.98A Remove the wiper motor retaining screws . . .



15.98B . . . separate the wiper motor from its cover . . .



15.98C . . . and detach the wiring connector

As it is lifted, invert it and detach the washer hose from the washer nozzle (photos).

97 Where applicable, detach and remove the washer reservoir from the recess in the front of the windscreen to allow access to the wiper motor.

98 Unscrew and remove the two wiper motor retaining screws. Lower and withdraw the unit, then detach the cover from the motor. Disconnect the wiring from the wiper motor and withdraw it from the car (photos).

99 Refit in the reverse order of removal. Check for satisfactory operation of the wiper and washer on completion.

Windscreen washer reservoir (Turbo ie models) - removal and refitting



100 Disconnect the battery negative lead.

101 Remove the bonnet as described in Chapter 12.

102 Remove the wiper arm and blade as described in Chapter 9, then unscrew and remove the pivot nut.

103 Undo the air inlet grille retaining screws noting that two are not fitted with washers. Where applicable, remove the washer reservoir filler cap from the reservoir neck protruding through the grille. Carefully prise free and lift the air inlet grille clear of the body. As it is lifted, invert it and detach the washer hose from the washer nozzle.

104 Syphon any remaining washer fluid from the reservoir, then disconnect it and partially

withdraw it from the recess in front of the windscreen so that the wiring connection and the washer supply hoses (to the windscreen washer and the rear screen washer nozzles) can be detached from the pump unit. Remove the reservoir from the vehicle.

105 Refit in the reverse order of removal. If the washer pump unit was detached from the reservoir, use a new seal washer when refitting it. Top up the reservoir and check the screen washers for satisfactory operation before refitting the grille panel and the wiper arm/blade.

Tailgate wiper motor (later models) - removal and refitting



106 Although the tailgate wiper motor differs in appearance, its removal and refitting procedures are much the same as those described for the earlier models in Section 27 of Chapter 9 (photo).

Radio

107 All later models are now equipped with power supply and speaker leads for radio installation.

108 Installation of the standard FIAT aerial mounted on the windscreen pillar is shown (photos).

Check control system sensors - description

109 The locations of the sensors referred to in Chapter 9, Section 34 are given in the following paragraphs, and their construction differs according to their individual function.

Brake fluid level sensor

110 This is mounted in the master cylinder fluid reservoir cap, and comprises a pair of reed switches in a glass bulb, and a magnet at the end of a float.

111 When the fluid level is correct, the magnetic flux closes the switches. In the event of a leak in the system, the magnet moves away, the switches open and the warning lamp comes on.

Brake disc pad wear sensor

112 This is basically a circuit wire embedded in the pad friction material. As the pad wears, the wire is eventually exposed and contacts the disc, whereupon the warning lamp comes on to indicate that pad renewal is necessary.

Coolant level sensor

113 This is located in the cooling system expansion tank, and is of the reed switch type, which operates in a similar way to that described for the brake fluid sensor.

Engine oil level sensor

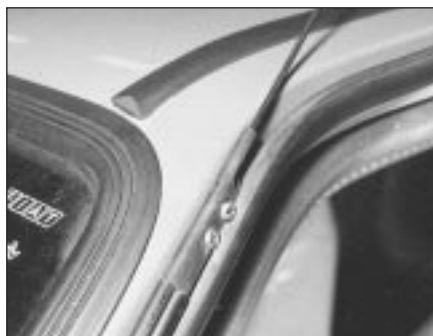
114 This is located at the end of the dipstick, and comprises a pair of switches at the end of a bi-metallic strip, heated by electrical resistance.

115 The heat is dissipated by the immersion of the dipstick in the engine oil, so preventing the bi-metallic strip from curving so much that the switches would open.

116 If the oil level drops, the heat is no longer dissipated, the switches open, and the warning lamp comes on.



15.106 Tailgate wiper motor - later model



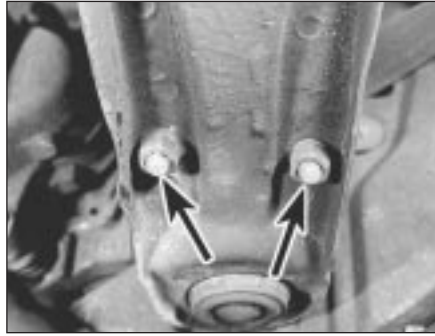
15.108A Pillar upper screws for aerial



15.108B Pillar lower screw for aerial



16.3 Anti-roll bar clamp



16.4 Anti-roll bar fixing nuts (arrowed)



16.7 Suspension strut upper mounting nuts, showing bracket and cable clip on the 1372 cc ie model

Door closure sensor

117 The sensor consists of a microswitch within the lock. The switch actuates the warning lamp according to whether the lock is in the open or closed mode.

Check control system sensors - testing

Brake fluid level sensor

118 With the fluid level correct, switch on the ignition and depress the centre of the reservoir cap. If the sensor switches are working correctly, then "FAULT" should be indicated on the check panel.

Coolant level sensor

119 With the coolant level in the expansion tank correct, switch on the ignition and then pull the wiring plug from the sensor. "FAULT" should be indicated on the check panel. If it is not, then it is the panel which is faulty.

120 An ohmmeter should be used to check for continuity, holding the float in both the full and low level positions.

Engine oil level sensor

121 With the oil level correct, disconnect the wiring plug from the dipstick, and then bridge the plug terminals (not dipstick side) with a 12 ohm resistor. Switch on the ignition.

122 If the red light on the check panel goes out, then the fault is due to the sensor.

123 If the light stays on, then it is the check panel module which is faulty.

Door closure sensor

124 Any fault in the lock microswitch can best be detected using an ohmmeter.

16 Suspension

Front anti-roll bar - removal and refitting



1 A front anti-roll bar is fitted to the 1301 cc, 1372 cc ie and 1372 cc Turbo ie engined models. Removal of the bar on all models is

as follows. Firstly loosen off the front roadwheel bolts, then raise the front of the car, securely support it on axle stands and remove the front roadwheels.

2 Disconnect the two gearchange rods from the transmission.

3 Unbolt and disconnect the anti-roll bar insulating clamps from the floorpan (photo).

4 Unbolt the end links from the track control arms and withdraw the anti-roll bar (photo).

5 Refitting is a reversal of removal, but only tighten the nuts and bolts to the specified torque with the car parked on level ground, with four passengers and 40 kg of luggage inside.

Suspension strut - later models

6 The suspension strut upper mounting nuts on later models also secure the brackets for the mounting of ancillary components such as the fuel filter, fuel system relays and fuses, etc. (depending on model).

7 When removing the suspension strut units, it will therefore be necessary to detach and support these brackets and their fittings (photo).

17 Bodywork

Plastic components

1 With the use of more and more plastic body components by the vehicle manufacturers (e.g. bumpers, spoilers, and in some cases major body panels), rectification of more serious damage to such items has become a matter of either entrusting repair work to a specialist in this field, or renewing complete components. Repair of such damage by the DIY owner is not really feasible owing to the cost of the equipment and materials required for effecting such repairs. The basic technique involves making a groove along the line of the crack in the plastic using a rotary burr in a power drill. The damaged part is then welded back together

by using a hot air gun to heat up and fuse a plastic filler rod into the groove. Any excess plastic is then removed and the area rubbed down to a smooth finish. It is important that a filler rod of the correct plastic is used, as body components can be made of a variety of different types (e.g. polycarbonate, ABS, polypropylene). Damage of a less serious nature (abrasions, minor cracks, etc.) can be repaired by the DIY owner using a two-part epoxy filler repair material. Once mixed in equal proportions, this is used in similar fashion to the bodywork filler used on metal panels. The filler is usually cured in twenty to thirty minutes, ready for sanding and painting.

2 If the owner is renewing a complete component himself, or if he has repaired it with epoxy filler, he will be left with the problem of finding a suitable paint for finishing which is compatible with the type of plastic used. At one time the use of a universal paint was not possible owing to the complex range of plastics encountered in body component applications. Standard paints, generally speaking, will not bond to plastic or rubber satisfactorily. However, it is now possible to obtain a plastic body parts finishing kit which consists of a pre-primer treatment, a primer and coloured top coat. Full instructions are normally supplied with a kit, but basically the method of use is to first apply the pre-primer to the component concerned and allow it to dry for up to 30 minutes. Then the primer is applied and left to dry for about an hour before finally applying the special coloured top coat. The result is a correctly coloured component where the paint will flex with the plastic or rubber, a property that standard paint does not normally possess.

Rear view mirrors



Interior

3 The mirror is of safety type, "breaking" off its ball fixing upon impact from a front seat occupant.

4 To remove the mirror, grip the head and



17.4 Interior mirror base



17.5 Interior mirror mounting plate



17.7A Exterior mirror trim plate

push it towards the windscreen; the ball socket will release (photo).



17.7B Withdrawing the exterior mirror

5 Extract the screws from the mounting plate (photo).

6 When refitting the mirror, engage the front of the socket on the ball and then twist the mirror rearwards and upwards.

Exterior

7 On models without remotely-controlled type exterior mirrors, the ball-jointed mirror is held in position by the two self-tapping screws which secure the triangular trim plate inside the car (photos).

8 To dismantle the mirror, extract the balljoint fixing screw, but take care as considerable force is exerted by the interior coil spring (photo).

Door armrest

9 A redesigned armrest is used on some

models. This is simply secured by two self-tapping screws (photo).

Tailgate (Turbo ie model) - component removal and refitting

10 The tailgate on these models is of plastic injection-moulded type, with a bonded window glass.

11 Renewal of the glass or repair of the tailgate should be entrusted to your FIAT dealer or a specialist repairer, due to the need for special products and techniques.

12 To remove the tailgate lock and handle, open the tailgate and extract the lock handle screws.

13 Prise off the link rod socket from the ball-pin (photos). Unbolt and remove the handle and lock.

14 A remote type of tailgate release is fitted, with a control handle located by the driver's seat. Access to the handle can be obtained by removing the seat and sill trim, and peeling back the carpet.

15 If a new cable is to be fitted, disconnect it from the tailgate latch, tape the new cable to the old one, and draw it carefully around the side panel and sill trim (photo).

16 To remove the tailgate wiper motor, first take off the wiper arm and blade.

17 Extract the plastic clips and take off the wiper motor protective cover. Disconnect, unbolt, and remove the wiper motor (photo).



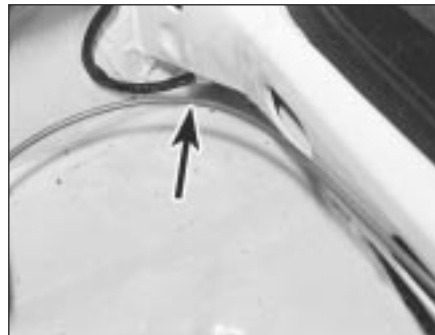
17.8 Extracting the mirror balljoint screw



17.9 Door armrest



17.13 Tailgate handle link rod (arrowed)



17.15 Tailgate release cable (arrowed)



17.17 Tailgate wiper motor



17.19A Extracting a radiator grille screw



17.19B Prising down a radiator grille clip



17.20 Removing the radiator grille from a 1301 cc Turbo ie model

18 Refitting of all components is a reversal of removal.

Radiator grille (1301 cc Turbo ie model) - removal and refitting



19 The grille is secured by a central screw and two upper clips. Use a screwdriver to prise the tabs on the upper clips downwards (photos).

20 Lift the grille upwards and forwards to disengage its lower mountings (photo).

21 Refitting is a reversal of removal.

Radiator grille (1372 cc ie and 1372 cc Turbo ie models) - removal and refitting



22 The radiator grille on these models is secured by screws at the top edge (photo). Raise and support the bonnet. Undo the retaining screws, then lift the grille clear.

23 Refit in the reverse order of removal.

Bumpers (1301 cc Turbo ie, 1372 cc ie and 1372 cc Turbo ie models) - removal and refitting



Removal - front

24 Remove the radiator grille as previously described, to provide access to the bumper upper mounting screws (photo).

25 The ends of the bumpers are secured with

bolts and captive nuts but to reach them, the underwing shields must be released and pulled away.

26 Disconnect the leads from the auxiliary lamps which are mounted in the spoiler, and then lift the bumper/spoiler from the car.

Removal - rear

27 Open the tailgate to provide access to the bumper upper mounting screws.

28 Disconnect the leads from the rear number plate lamp. Unscrew the lower mounting nuts (photo).

29 Disconnect the bumper end fixings, which are accessible under the rear wing edges (photo).

Refitting - front and rear

30 Refitting either front or rear bumpers is a reversal of removal.

Rear hinged windows - removal and refitting



31 These have toggle-type catches and hinges bolted directly through the glass (photo).

32 To remove the window glass, have an assistant support it, and then unscrew the cross-head hinge screws and the toggle catch anchor plate screws. Lift the glass away. If the toggle catch must be removed from the glass, first drive out the handle pivot pin and then, using a pin wrench or circlip pliers, unscrew



17.22 Radiator grille screw removal on a 1372 cc SX ie model



17.24 Front bumper upper mounting screw (arrowed)



17.28 Rear bumper lower mounting nut



17.29 Unscrewing a bumper end fixing nut



17.31 Rear window toggle-type catch



17.34A Armrest electric window switches



17.34B Disconnecting an electric window regulator switch plug



17.34C Door interior showing electric window motor (arrowed)

the ring nut which secures the handle to the glass.

33 When refitting the screws or ring nut to the glass, make sure that the insulating washers are in good condition to prevent metal-to-glass contact.

***Door trim panel
(Turbo ie model) -
removal and refitting***



34 The operations are similar to those described in Chapter 12, Section 11, except that electric windows are fitted instead of a

conventional mechanical regulator and handle. Before the trim panel can be withdrawn, the window control switches must be disconnected from the wiring plug, and the plug fed through the panel aperture (photos).

Component key for wiring diagrams 1 to 29

Note: *Not all the items listed will be fitted to all models*

No	Description	No	Description
00200	Alternator with built-in regulator	03319	Horn push button
00500	Battery	03500	Ignition switch
01001	Starter motor	03505	Butterfly valve cut-off switch
01202	Rear front electric window motor	03506	Throttle position switch
01203	Left front electric window motor	03530	Right front electric window switch
01206	Windscreen wiper motor	03531	Left front electric window switch
01207	Rear screen wiper motor	03546	Rear screen wash/wipe switch
01252	Right front door locking motor	03550	Hazard warning lights switch
01253	Left front door locking motor	04010	Steering column switch unit, direction indicators
01254	Right rear door locking motor	04022	Steering column switch unit, headlamps, main beam and dipped, side lights
01255	Left rear door locking motor	04032	Steering column switch unit, windscreen wash/wipe
01400	Windscreen washer pump	04214	Fuel injection system control relay
01401	Rear screen washer pump	04215	Antiskid system failure relay
01420	Electric fuel pump	04225	Radiator fan 2nd speed engagement relay feed
01500	Engine cooling fan	04241	Foglamps relay feed
01502	Injector cooling fan	04260	Electric windows motor relay feed
01504	Ventilation fan	04283	Antiskid system relay
02001	Engine cut-out solenoid on injection pump	04291	Horn relay feed
02010	Fuel injector	04292	Heated rear screen relay feed
02011	Fuel injector	04441	Dim-dip cut-out 04600 Ignition distributor
02012	Fuel injector	04700	Coolant temperature sender unit
02013	Fuel injector	04701	Electronic injection coolant temperature sender unit
02015	Supplementary air valve	04720	Oil pressure sender unit
02210	Accelerator pump outlet cut-out solenoid on carburettor	05008	Right headlamp, main beam and dipped with side light
02215	Supplementary air valve	05009	Left headlamp, main beam and dipped with side light
02400	Ignition coil	05013	Abnormal fuel consumption sensor
02405	Ignition coil with electronic control unit	05015	Right foglamp
02490	Static advance ignition control unit	05016	Left foglamp
02492	Microplex ignition system control unit	05410	Right front direction indicator
03000	Insufficient engine oil pressure switch	05411	Left front direction indicator
03002	Right front door ajar switch	05412	Right front side direction indicator
03003	Left front door ajar switch	05413	Left front side direction indicator
03004	Right rear door ajar switch	05640	Rear number plate lamp
03005	Left rear door ajar switch	05690	Right rear light cluster, sidelight, direction indicator, brake light, rear foglamp
03006	Handbrake 'on' warning switch	05691	Left rear light cluster; side light, direction indicator, brake light, rear foglamp
03007	Brake stop-lamp switch	06000	Centre courtesy light
03008	Reversing light switch	06026	Map reading light
03028	Radiator thermostatic switch	06076	Ideogram fibre optic light
03029	Coolant overheating warning light thermostatic switch	06080	Heater controls light
03034	Injector cooling fan thermostatic switch	06084	Instrument panel light
03035	Accelerator pump outlet cut-out solenoid thermostatic switch	06300	Sidelights warning light
03036	Radiator thermostatic switch with two operating ranges	06305	Main beam headlamps warning light
03053	Map reading light switch	06310	Rear foglamps warning light
03059	Foglamps switch	06311	Foglamps warning light
03060	Rear foglamp switch	06315	Hazard warning lights warning light
03110	Heated rear screen switch	06320	Direction indicators warning light
03114	Ventilation fan switch	06335	Insufficient brake fluid level warning light
03123	Air pressure switch	06336	Handbrake 'on' warning light
03142	Choke warning light switch	06343	Insufficient engine oil pressure warning light
03144	Reset switch	06344	Insufficient brake fluid level warning light
03145	Display switch	06345	Fuel reserve warning light
03305	Right front door open light push button	06350	Coolant overheating warning light
03306	Left front door open light push button		

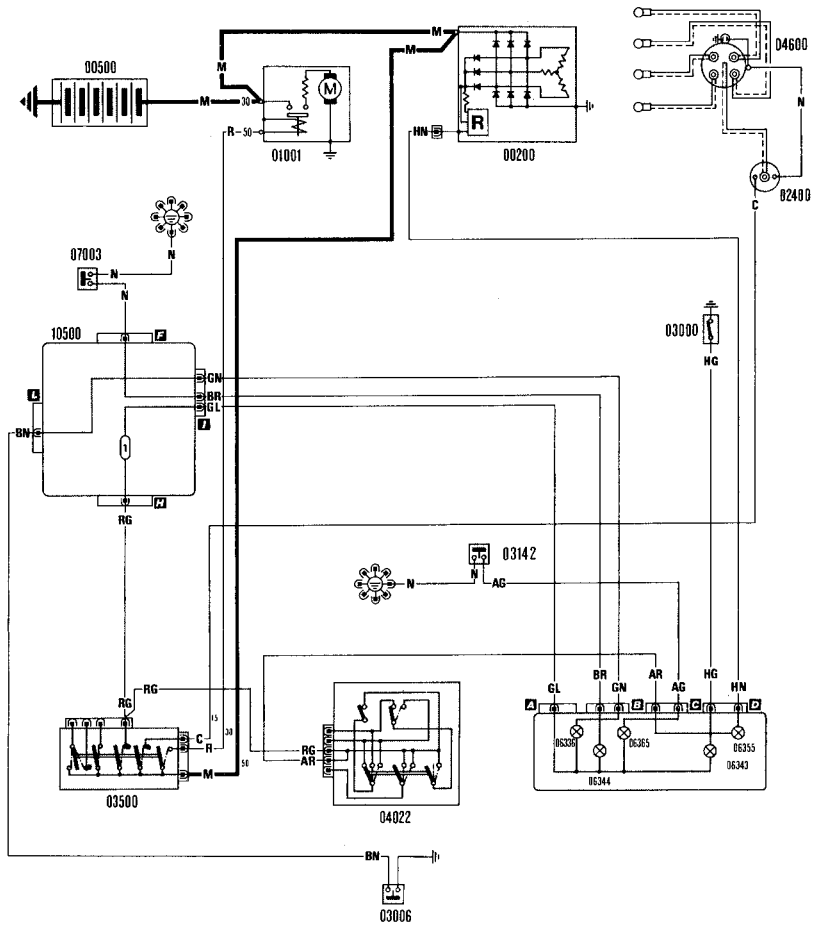
Component key for wiring diagrams 1 to 29 (continued)*Note: Not all the items listed will be fitted to all models*

No	Description	No	Description
06355	Battery charging warning light	08051	Ignition coil condenser
06365	Choke warning light	09000	Dim-dip transformer
06368	Antiskid system failure lamp	09008	Radiator cooling fan 1st speed resistor
06385	Heated rear screen warning light	09100	Heated rear screen
06800	Horn	10022	Cut-off device electronic control unit
06801	Right horn	10500	Control (fuse) box
06802	Left horn	10515	Electronic injection control unit
07000	Coolant level sensor	10571	Central locking control unit
07001	Engine oil level sensor	10584	Antiskid system ECU
07003	Brake fluid level sensor	10586	Pressure modulators
07015	Right front brake pad wear sensor	59000	Cigar lighter
07016	Left front brake pad wear sensor	60000	Instrument panel
07020	Engine speed sensor	60204	Four place fusebox
07021	TDC sensor	70090	General earth
07022	Anti-knock sensor	70091	General earth
07023	Diagnostic socket	70092	Earth plate
07037	Butterfly valve (cut-off) switch	M	Electronic control unit
07050	Fuel gauge		
07051	Instant fuel consumption gauge (econometer)		
07052	Airflow meter		
07060	Idle cut-off device		
07107	Roadwheel speed sensors		
07109	Vacuum switch		
07191	Absolute pressure sensor		
07192	Vacuum switch		
07400	Fuel gauge		
07410	Engine oil temperature gauge		
07415	Coolant temperature gauge		
07420	Engine oil pressure gauge		
07430	Tachometer		
07460	Clock		
07461	Digital clock		

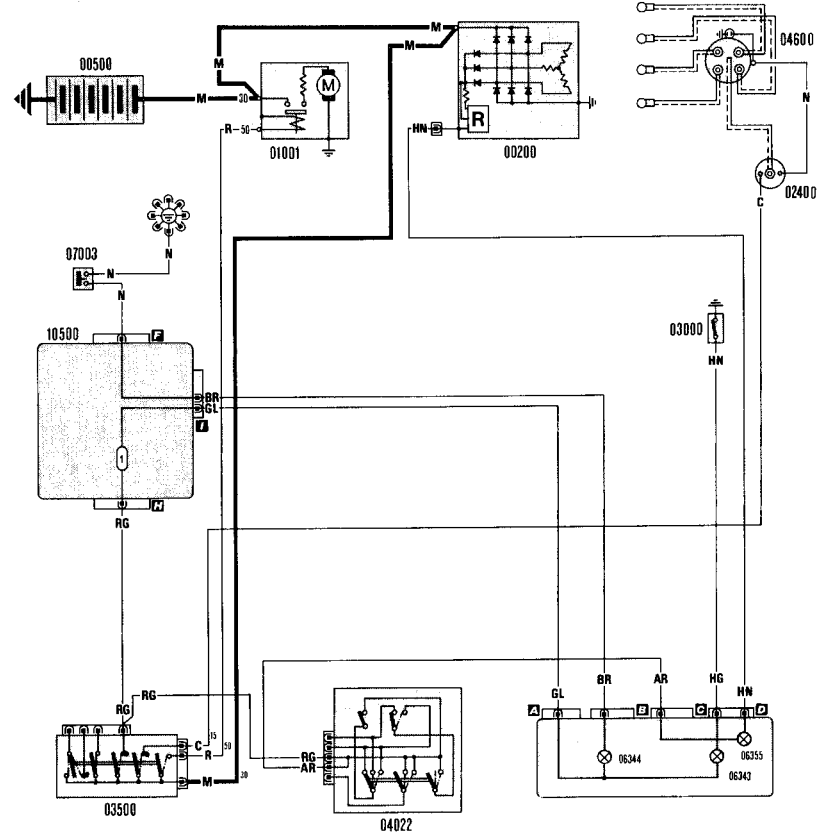
Wire colour codes

A	Light blue
B	White
C	Orange
G	Yellow
H	Grey
L	Blue
M	Brown
N	Black
R	Red
S	Pink
V	Green
Z	Violet

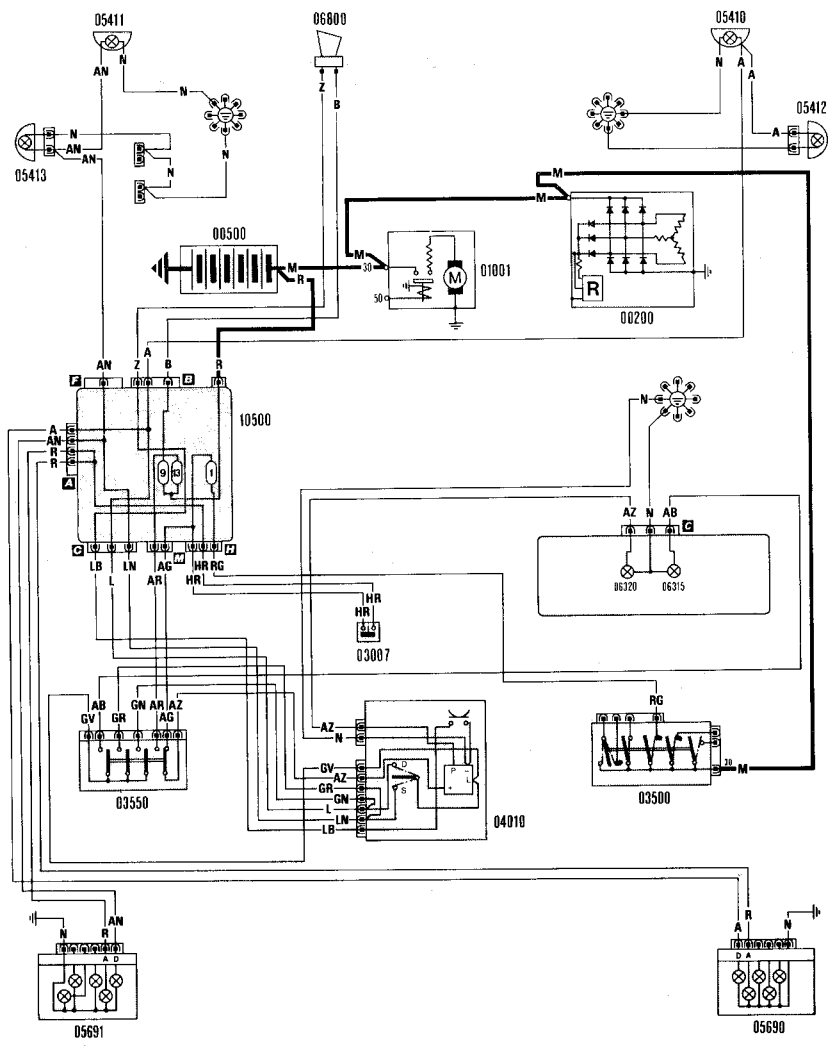
Example of two-colour wire: BN (White/Black)



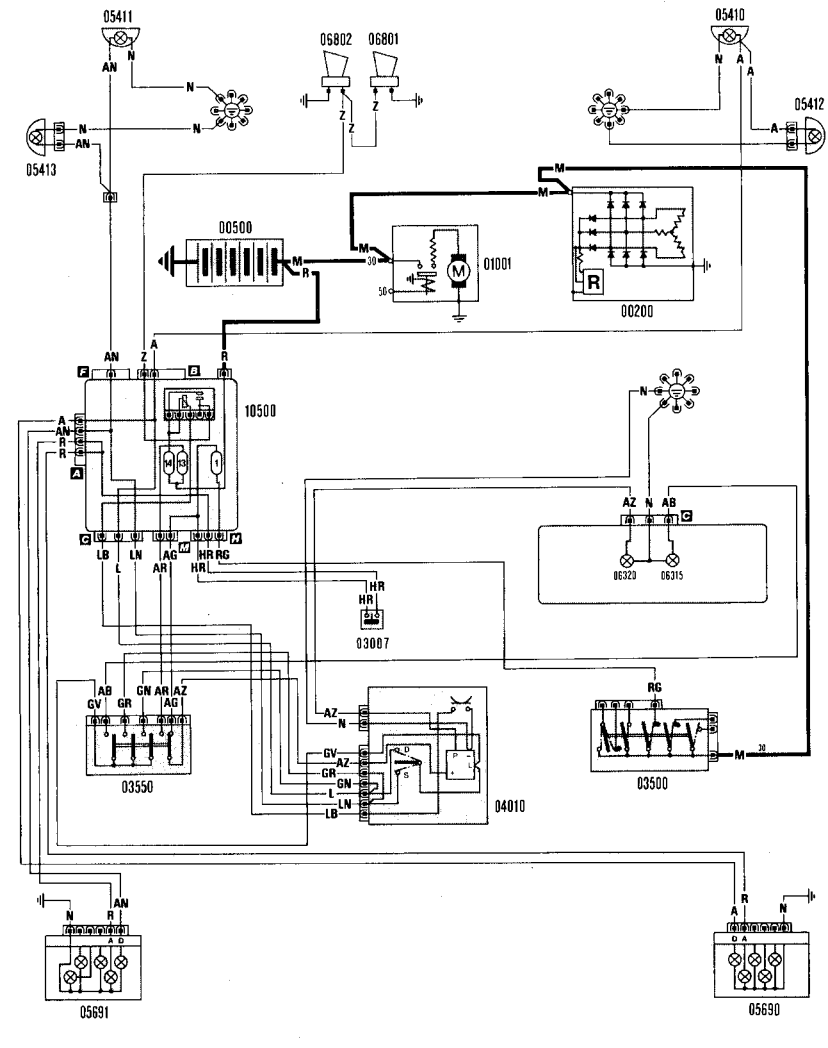
Wiring diagram 1 - starting, ignition, charging, oil pressure, low brake fluid, choke warning light and handbrake "on" (S and SX models)



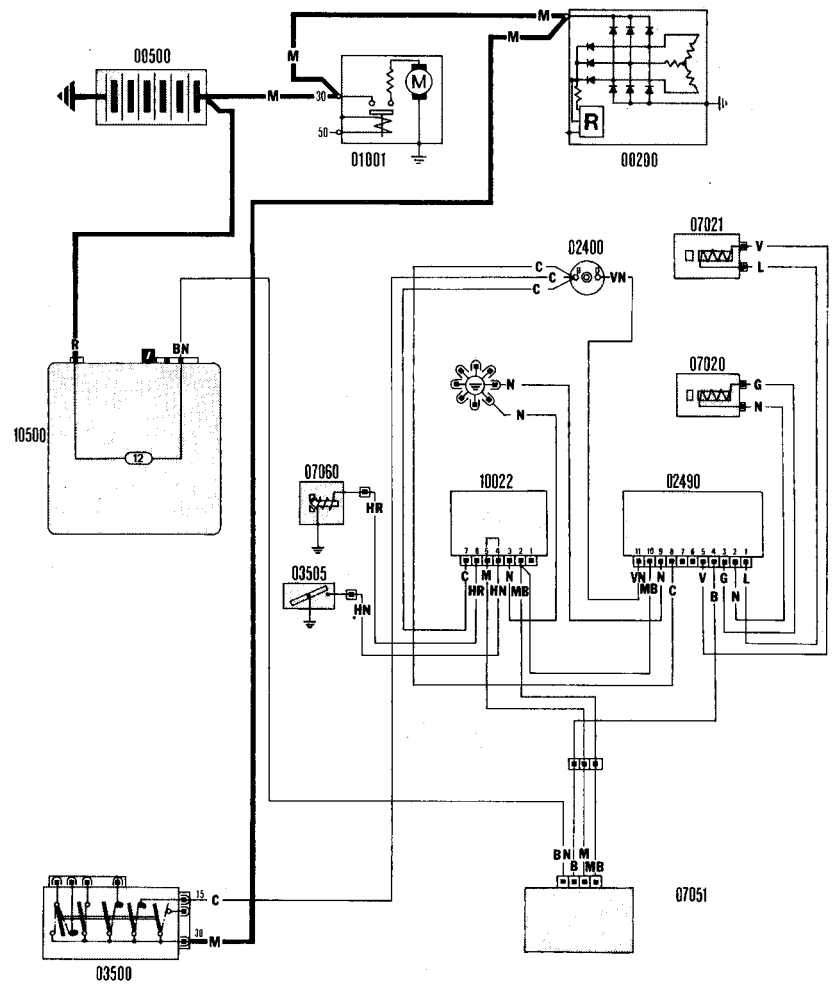
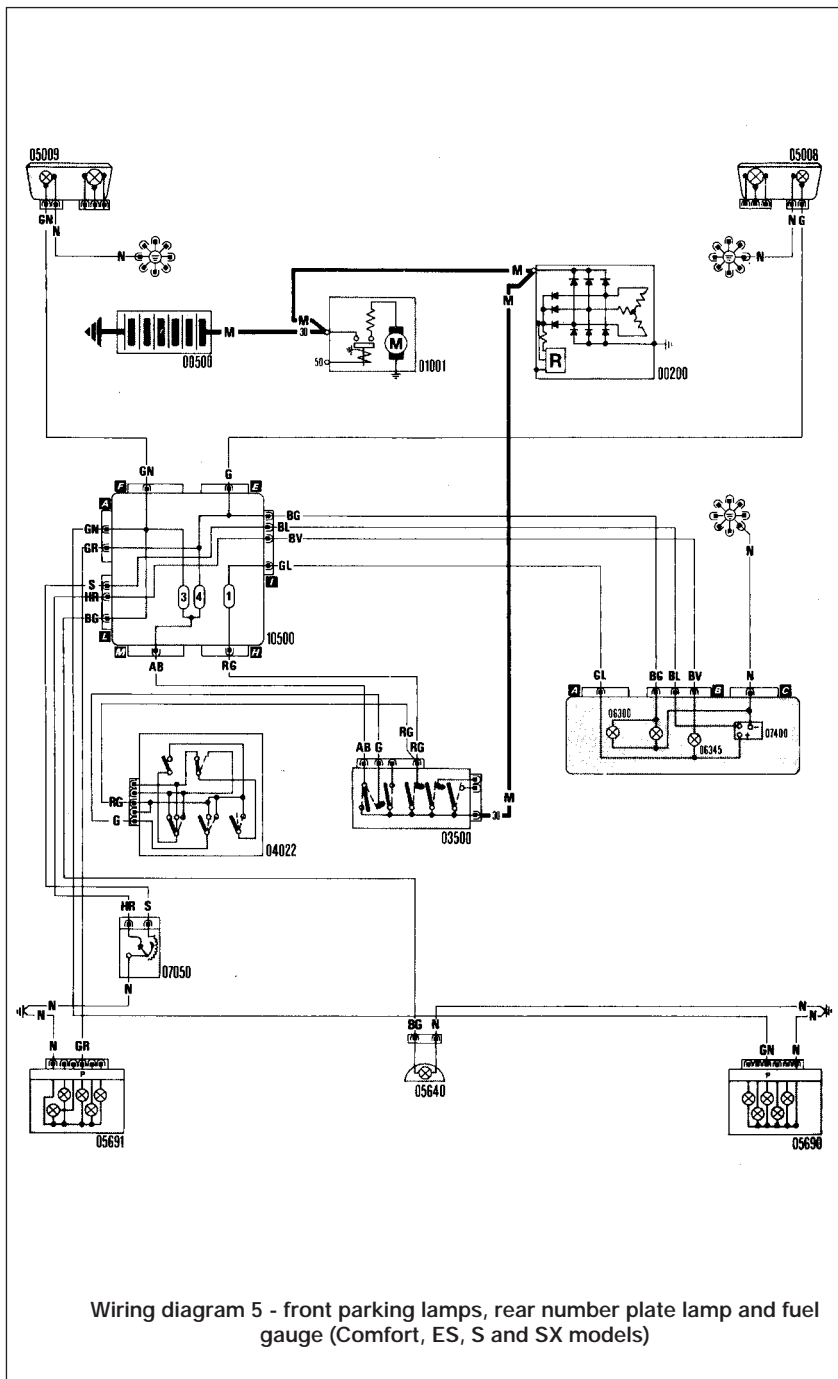
Wiring diagram 2 - starting, charging, oil pressure and low brake fluid (Comfort and ES models)

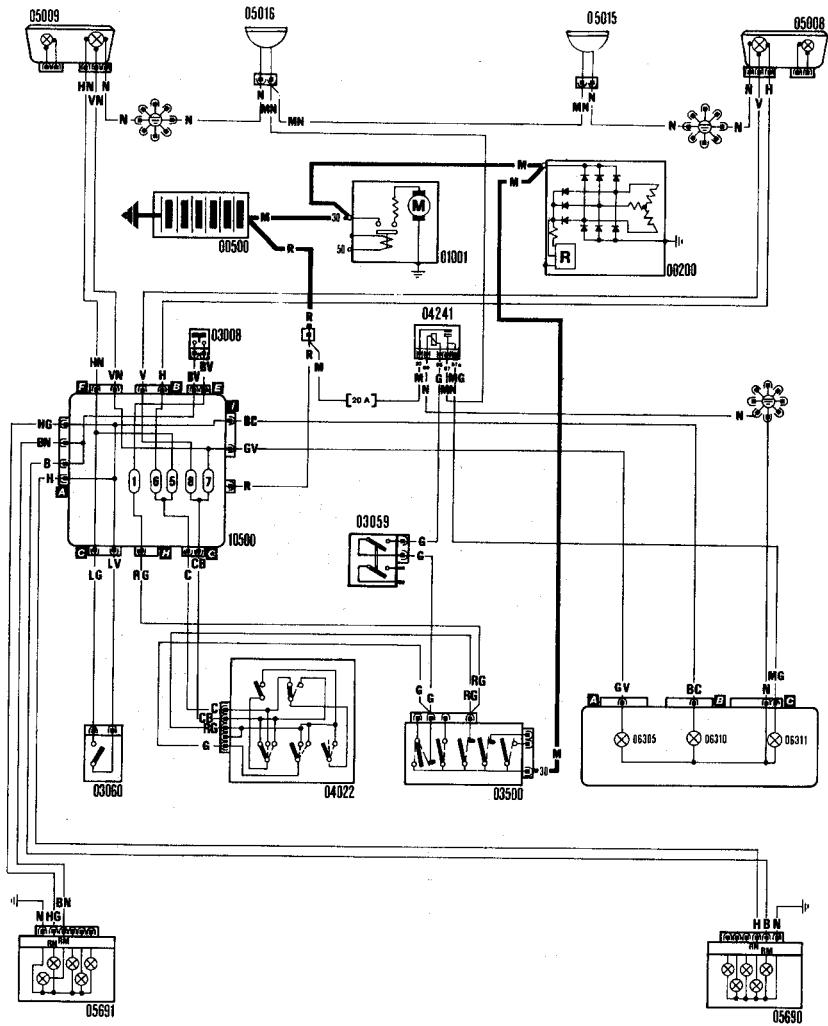


Wiring diagram 3 - direction indicators, hazard warning lamps, brake stop-lamps and horn (S and SX models)

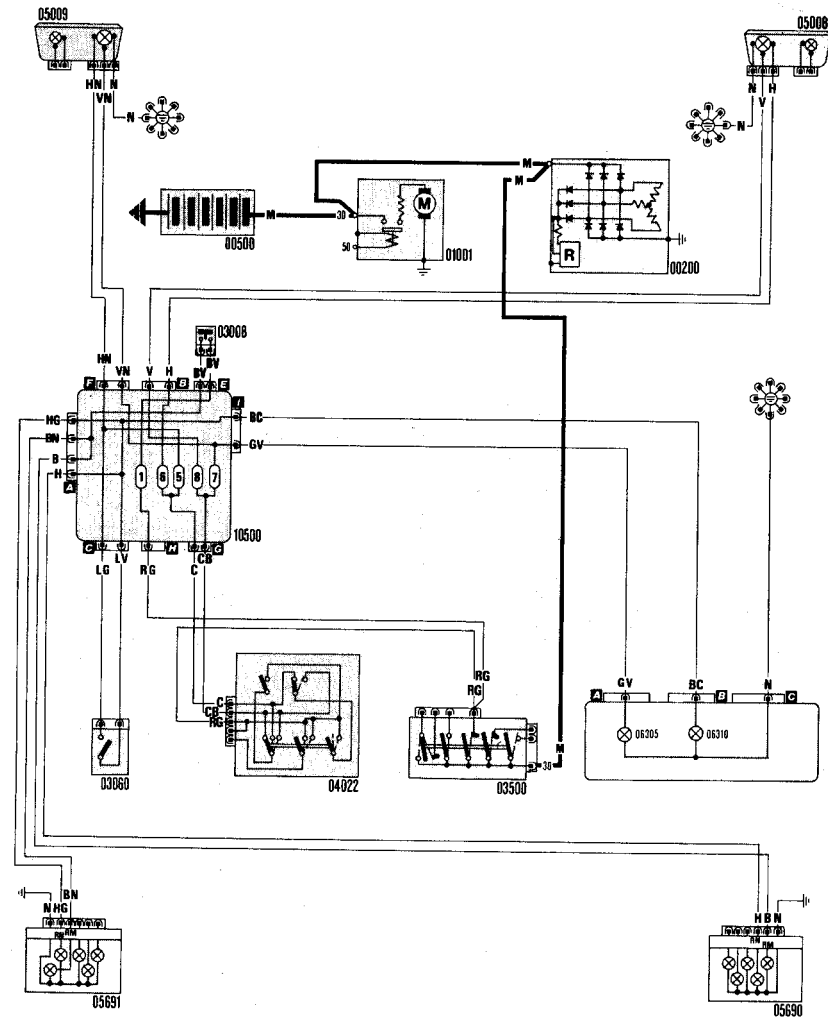


Wiring diagram 4 - direction indicators, hazard warning lamps, brake stop-lamps and horn (Comfort and ES)

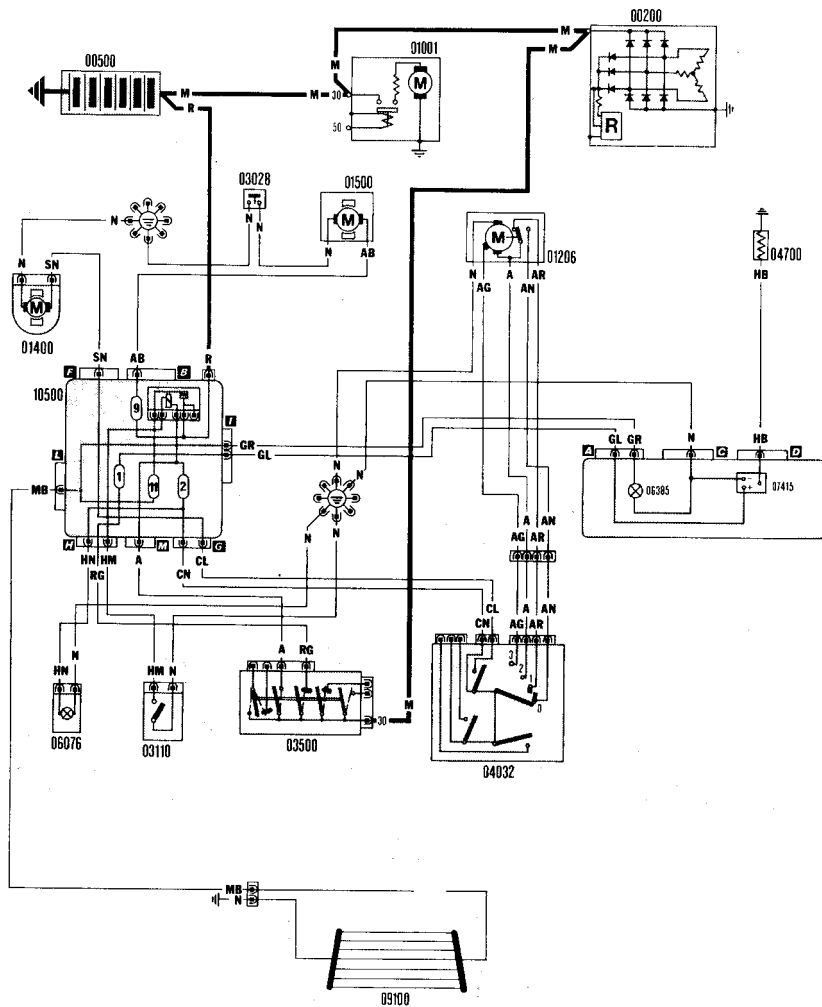




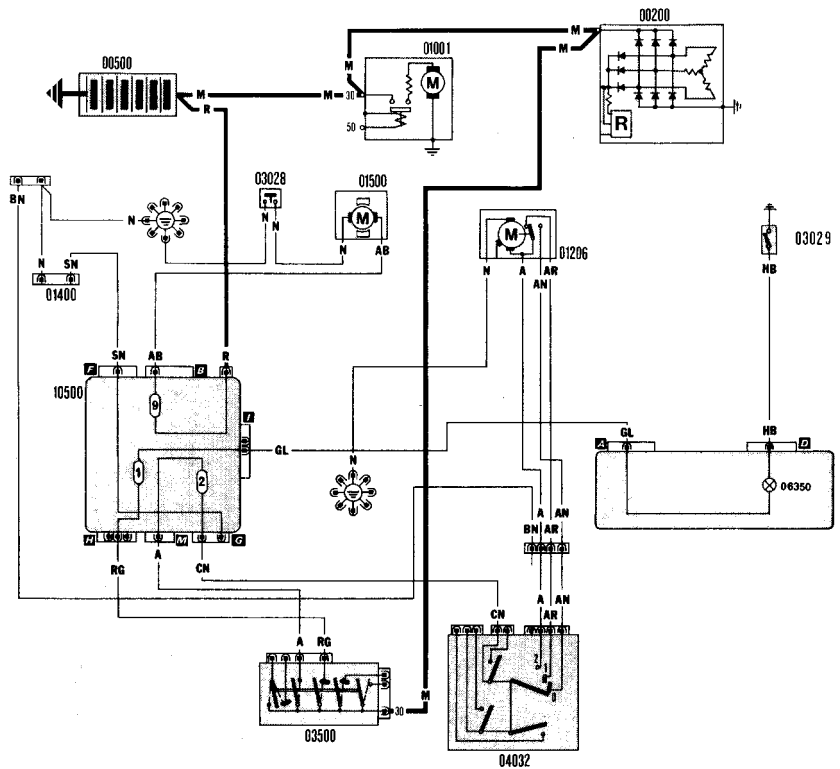
Wiring diagram 7 - headlamps, reversing lamps and front and rear foglamps (SX model)



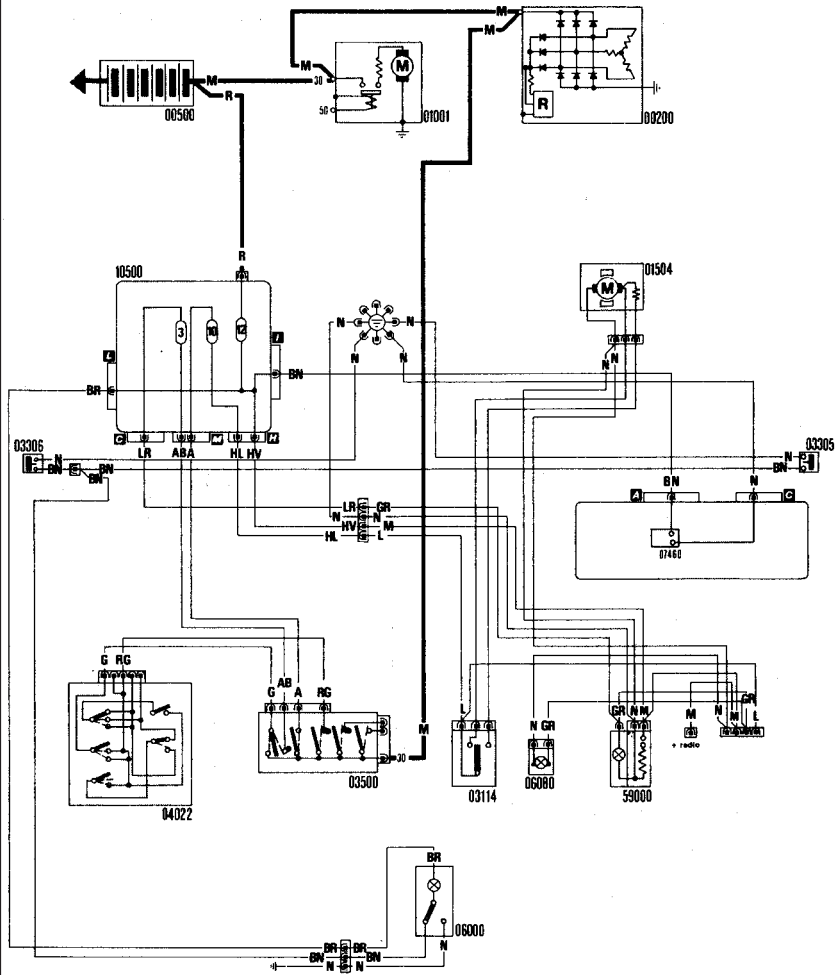
Wiring diagram 8 - headlamps, reversing lamps and rear foglamps (Comfort, ES and S models)



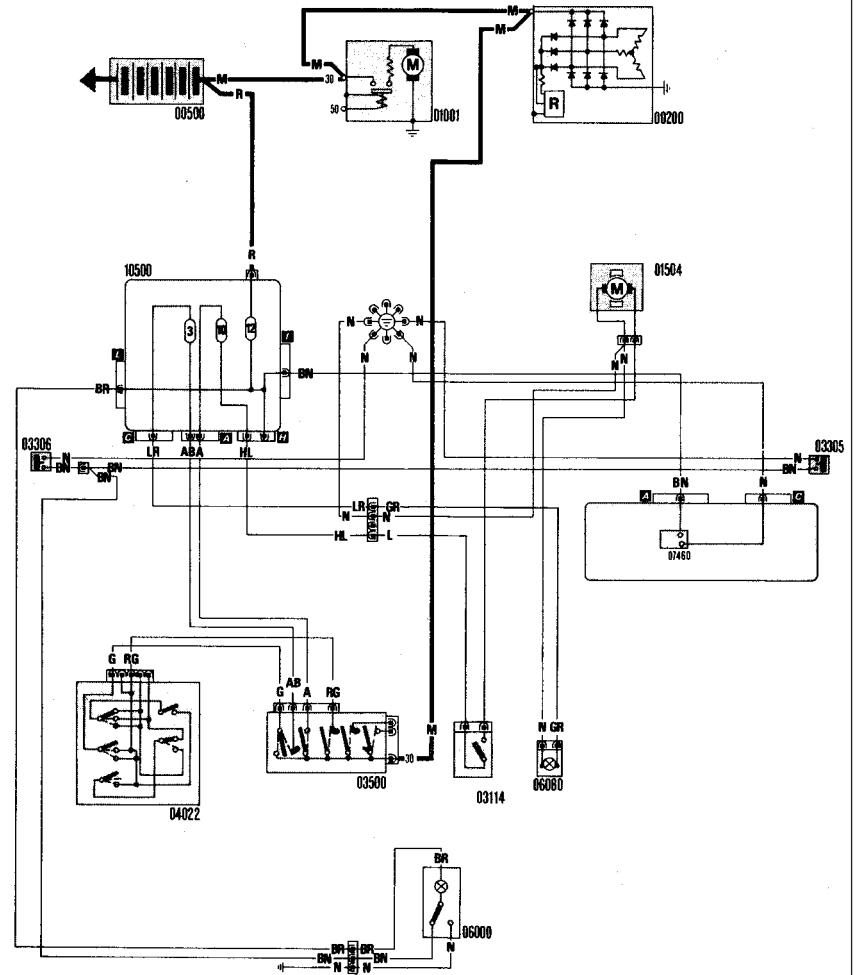
Wiring diagram 9 - windscreen wash/wipe, radiator fan, coolant temperature sensor, heated rear screen and instrument panel illumination



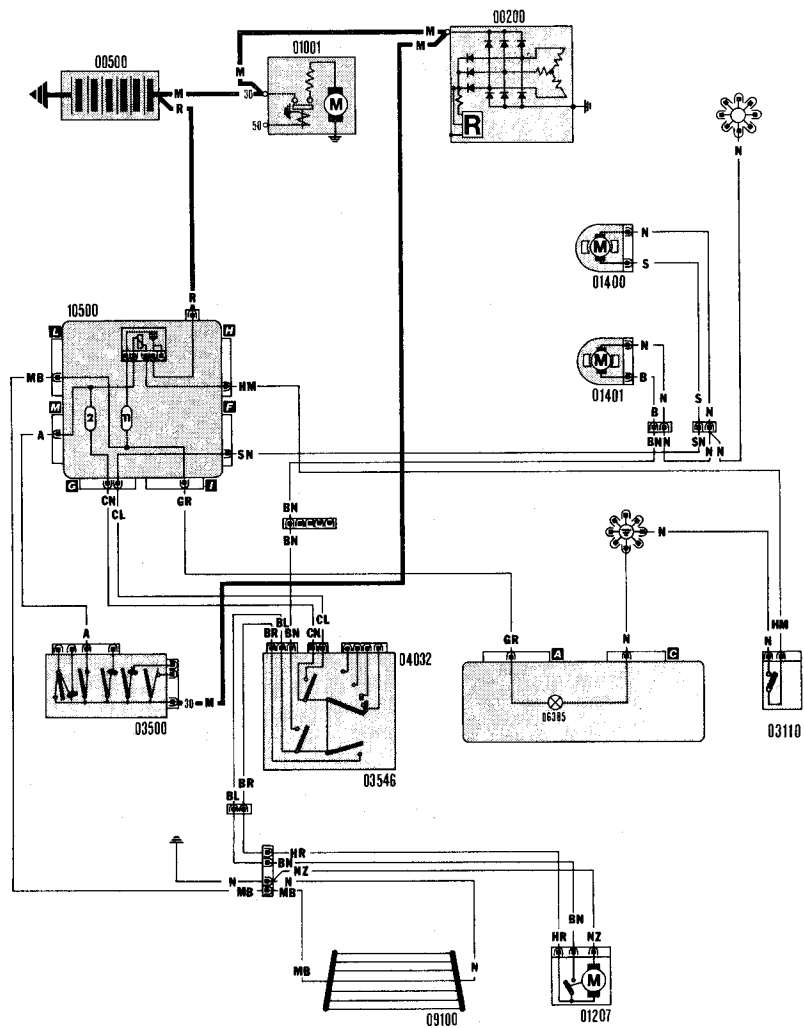
Wiring diagram 10 - windscreen wash/wipe, radiator fan and coolant temperature sensor (Comfort and ES models)



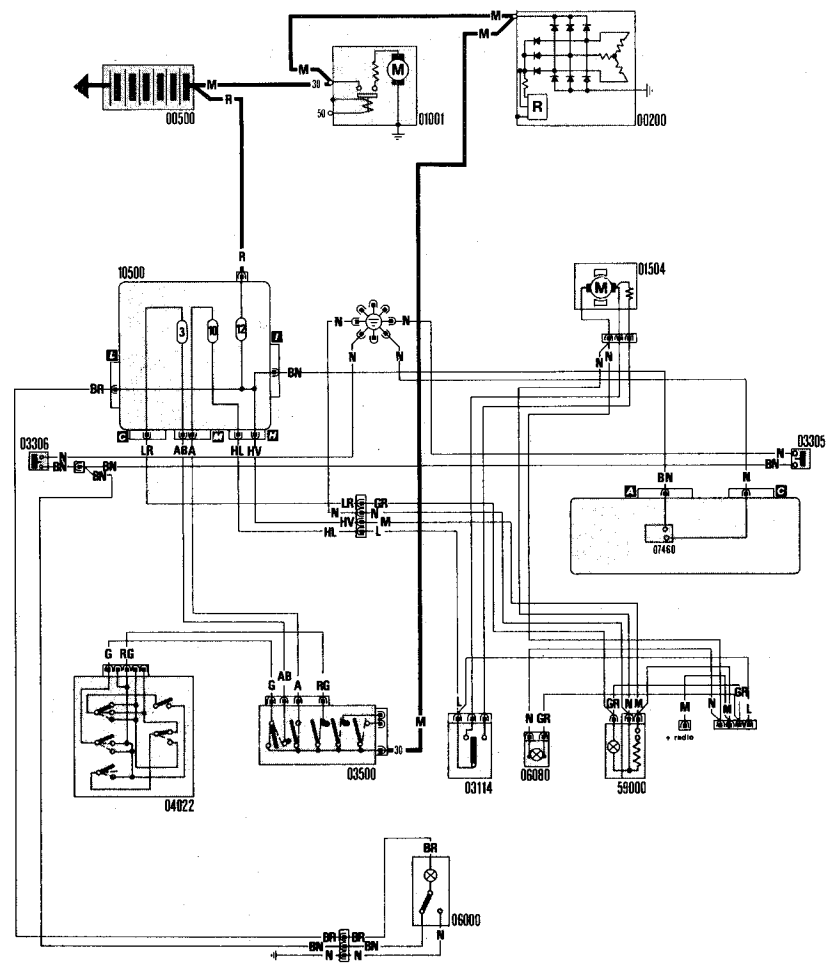
Wiring diagram 11 - courtesy lamps, heater fan, heater illumination, cigar lighter, digital clock and radio (S and SX models)



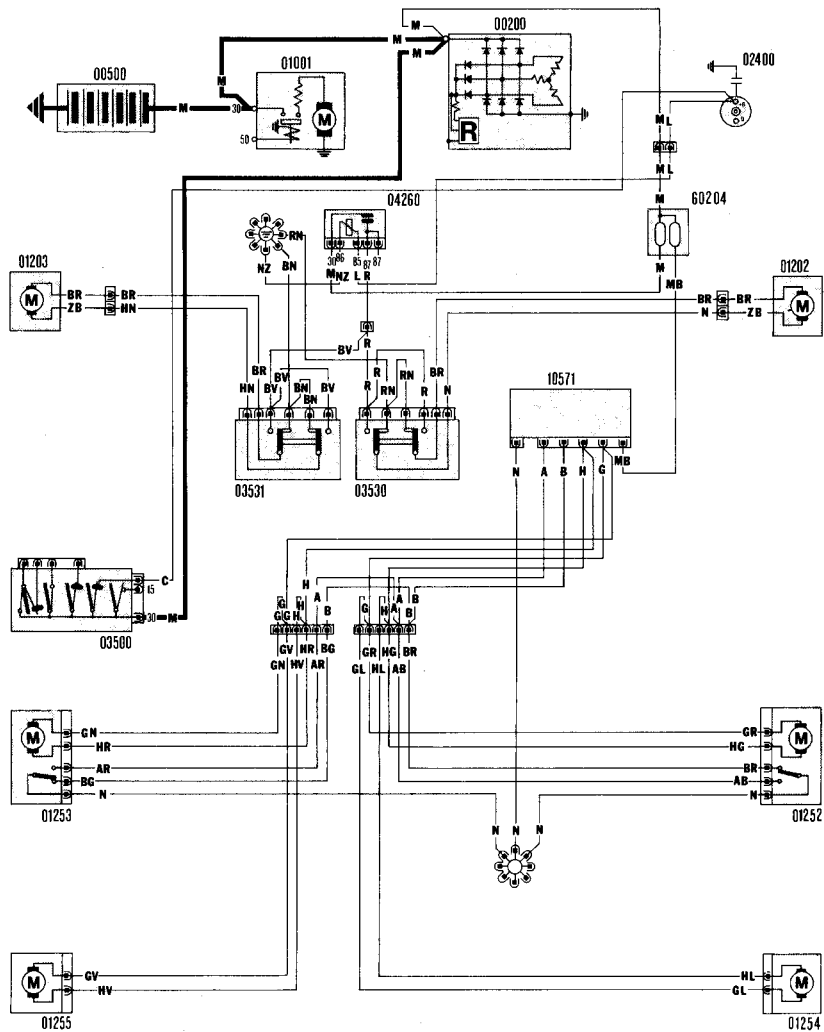
Wiring diagram 12 - courtesy lamps, heater fan and heater illumination (Comfort and ES models)



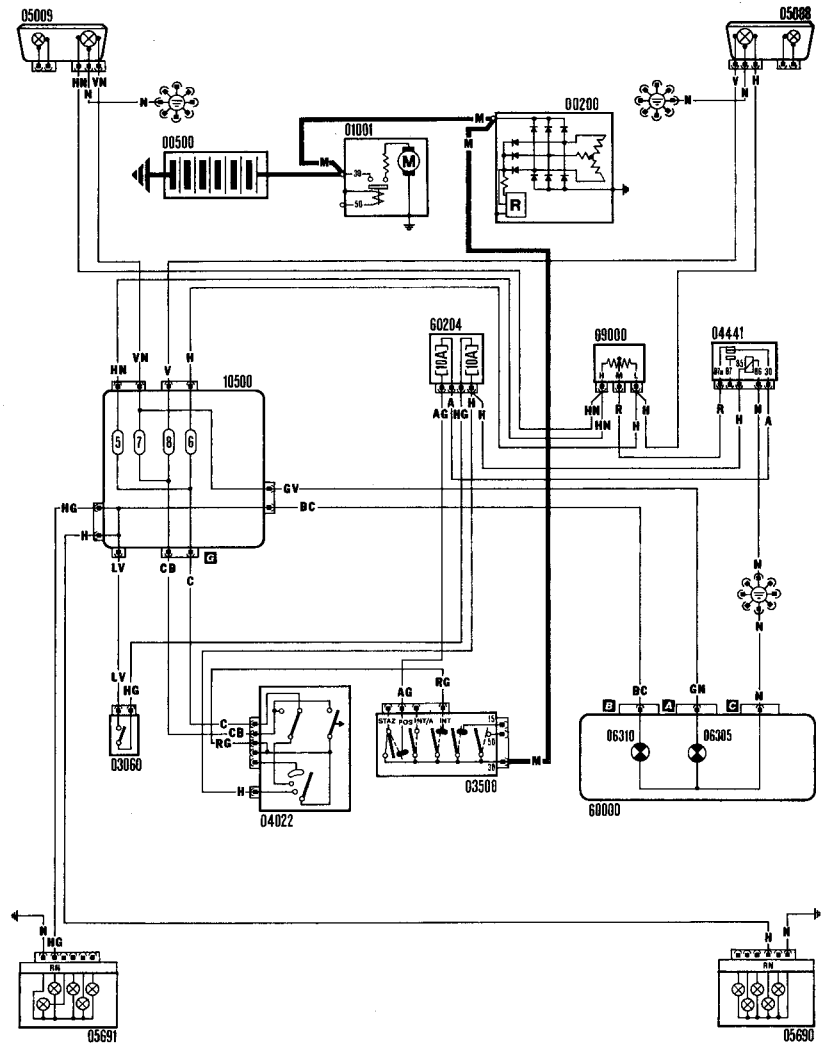
Wiring diagram 13 - heated rear screen and rear wash/wipe (S and SX models)



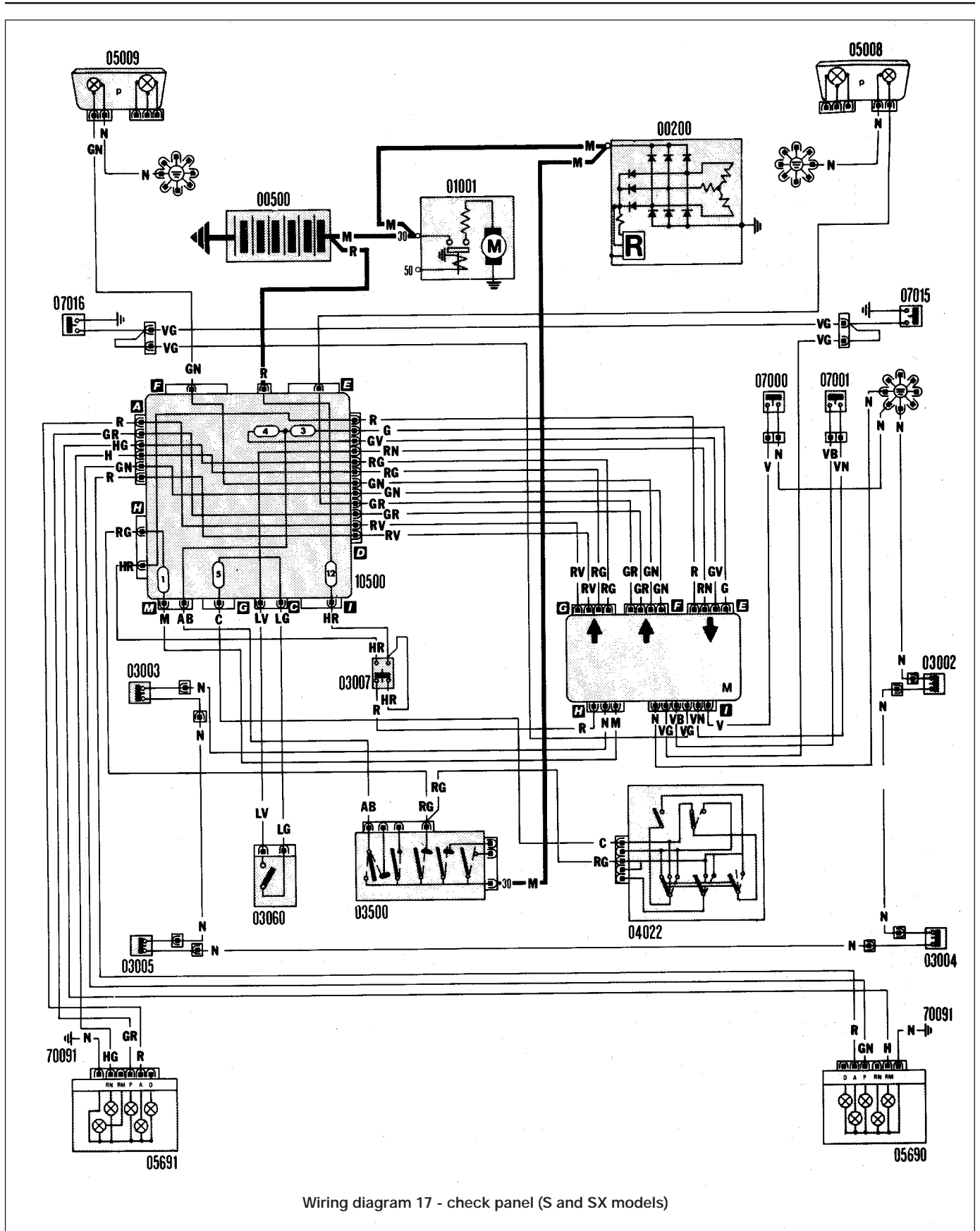
Wiring diagram 14 - tachometer, digital clock, map reading lamp and vacuum gauge (Comfort, ES, S and SX models)

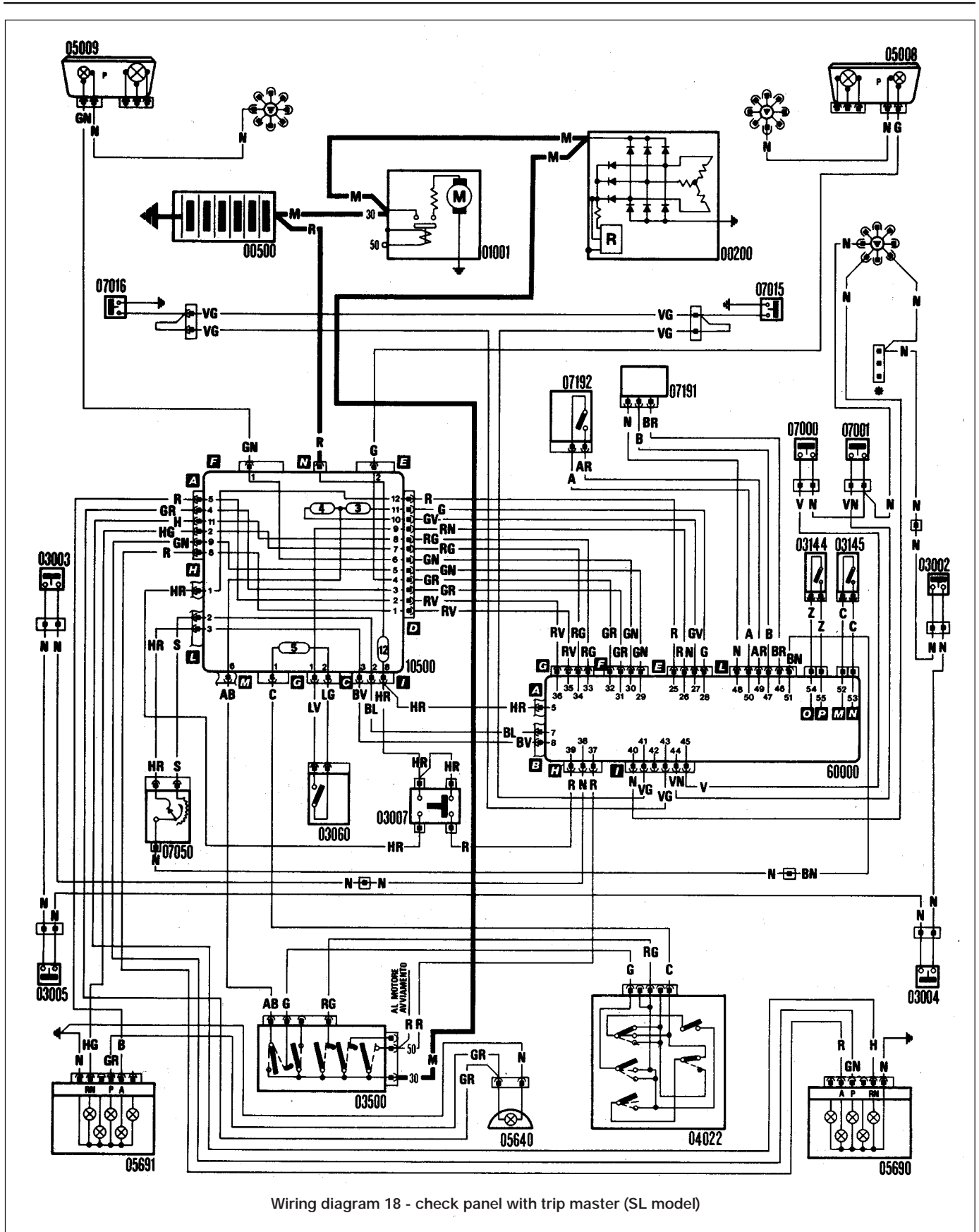


Wiring diagram 15 - central door locking and electric windows (S and SX models)

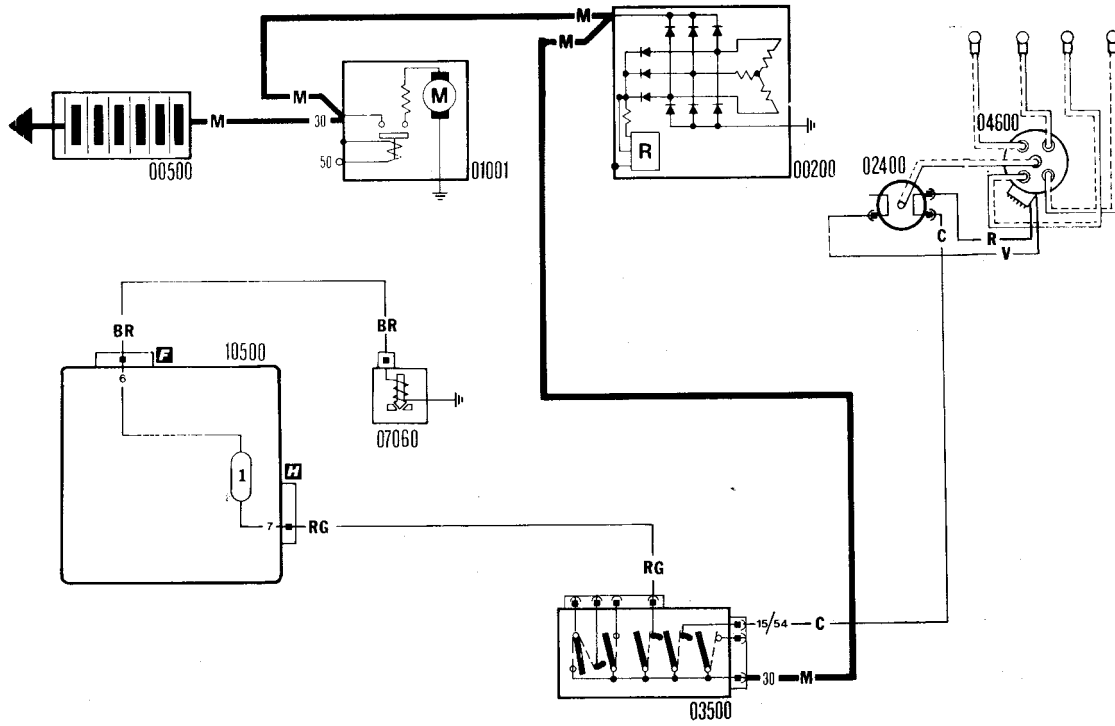


Wiring diagram 16 - headlamp dim-dip system (1987-on models)

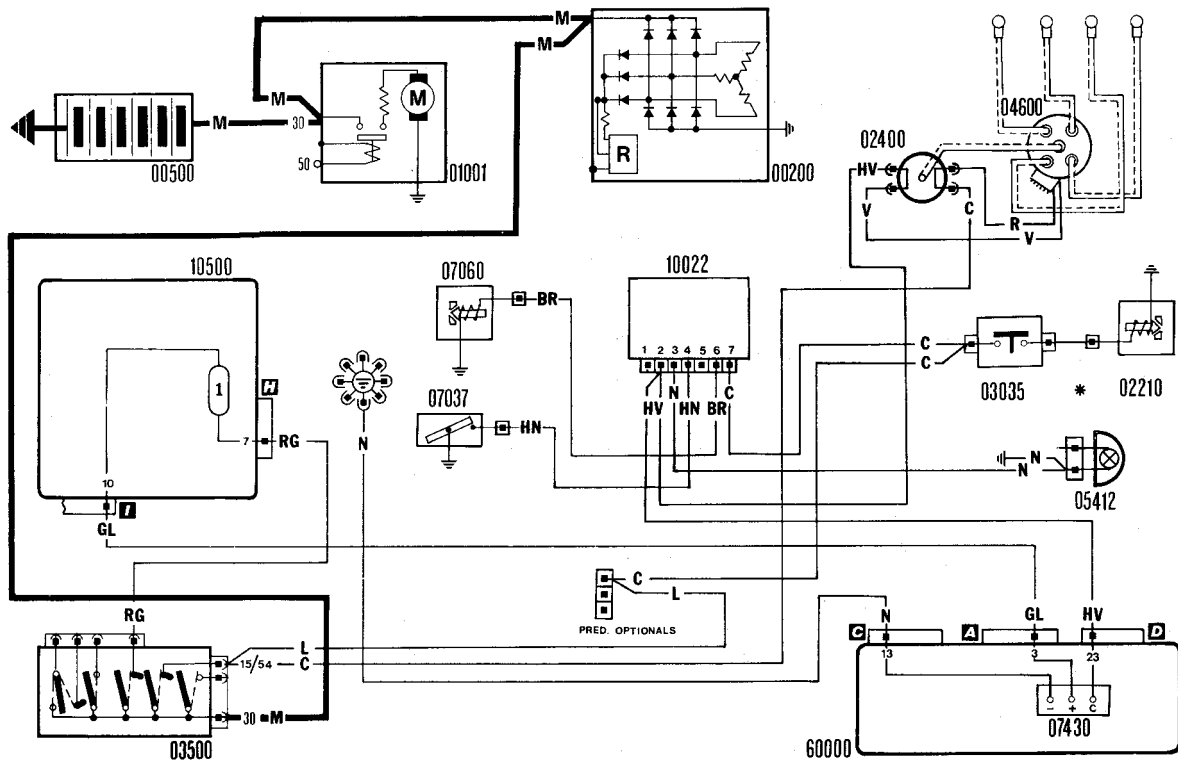




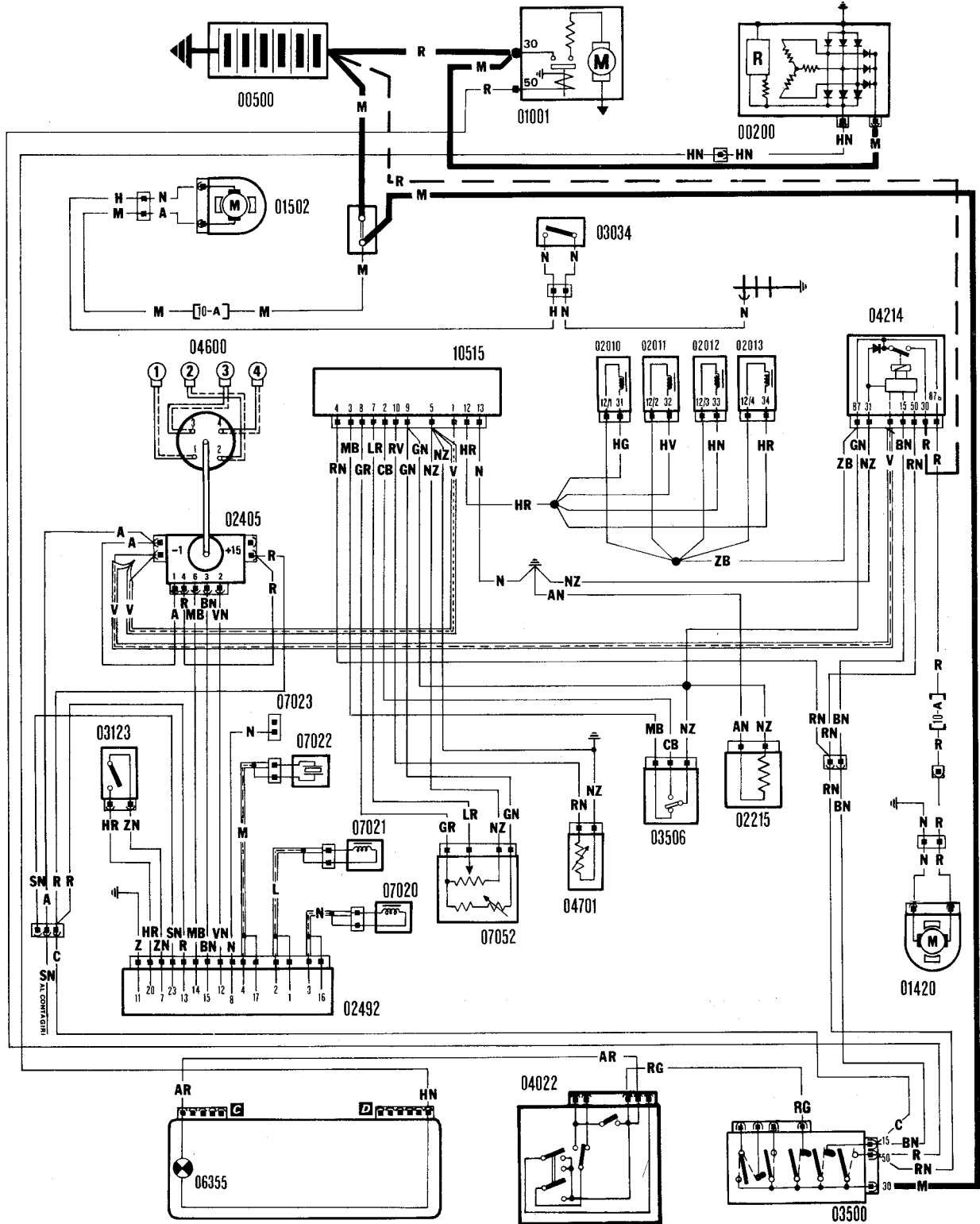
Wiring diagram 18 - check panel with trip master (SL model)



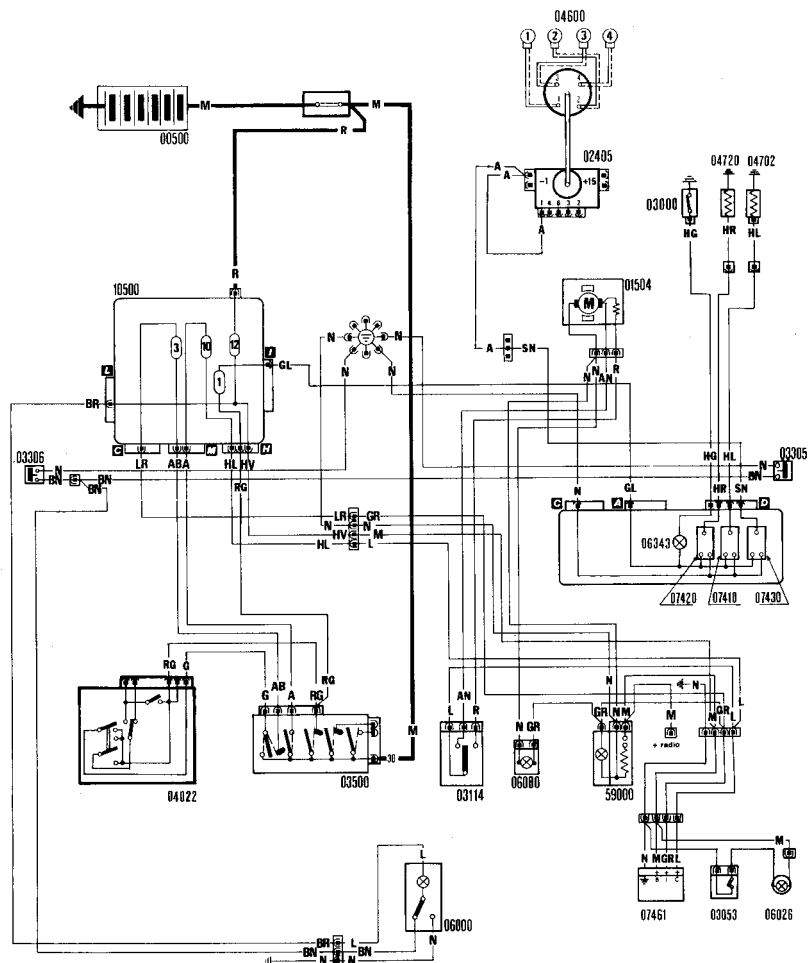
Wiring diagram 19 - ignition and idle cut-out (later 45 models)



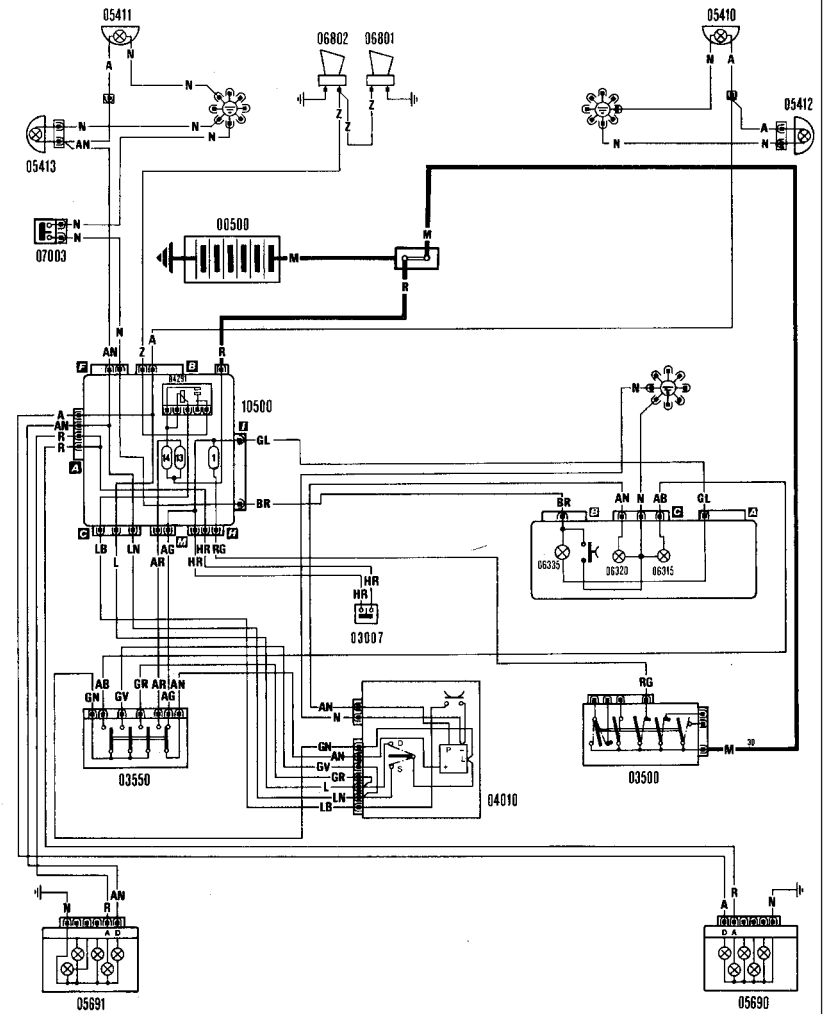
Wiring diagram 20 - ignition cut-off device, tachometer and accelerator pump cut-out (60 and 70 models)



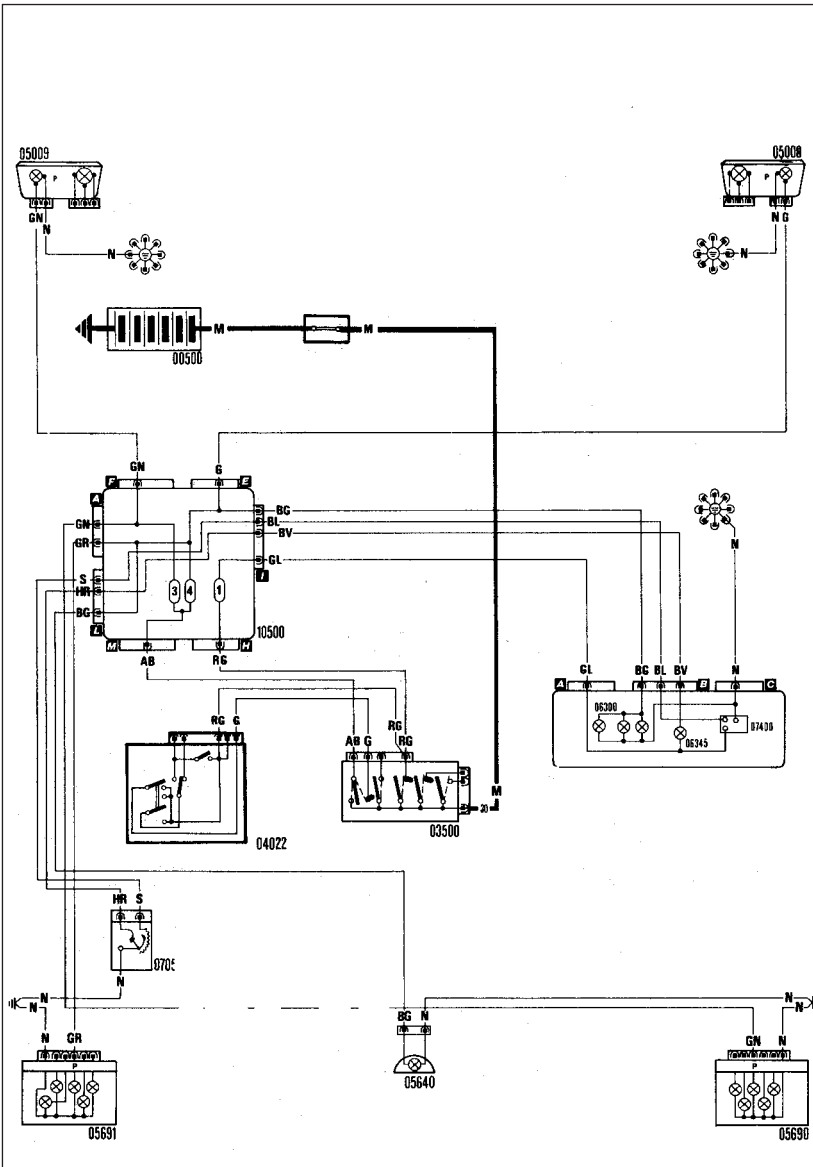
Wiring diagram 21 - starting, charging, Microplex ignition, LE-2 Jetronic fuel injection, fuel pump and fuel injector cooling fan (1301 cc Turbo ie model)



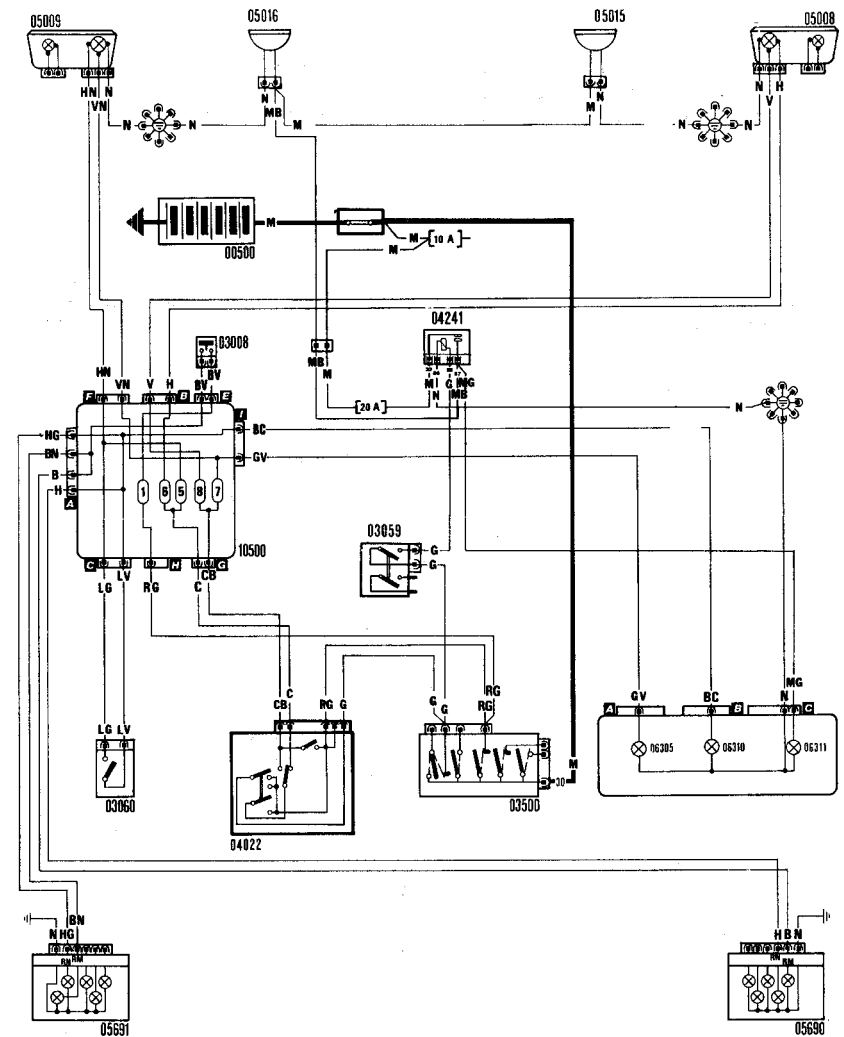
Wiring diagram 22 - direction indicators, hazard warning lamps, brake stop-lamps, horn and low brake fluid sensor (1301 cc Turbo ie model)



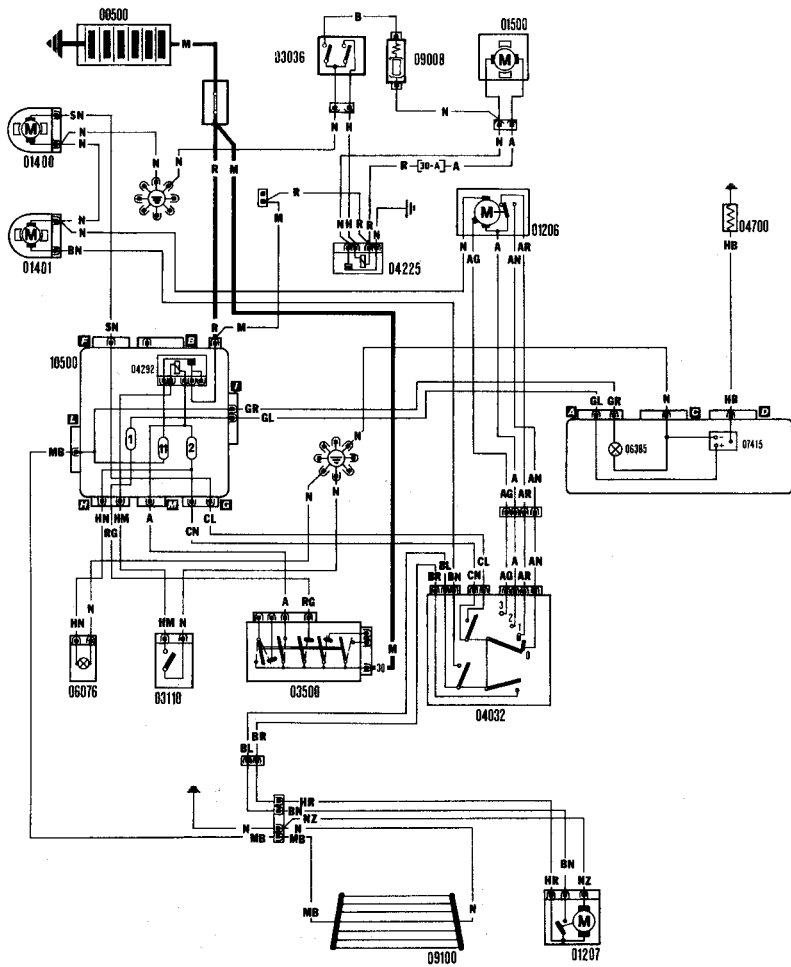
Wiring diagram 23 - courtesy lamps, heater fan, heater illumination, cigar lighter, digital clock, radio, low oil pressure lamp, oil pressure switch, oil temperature gauge and tachometer (1301 cc Turbo ie model)



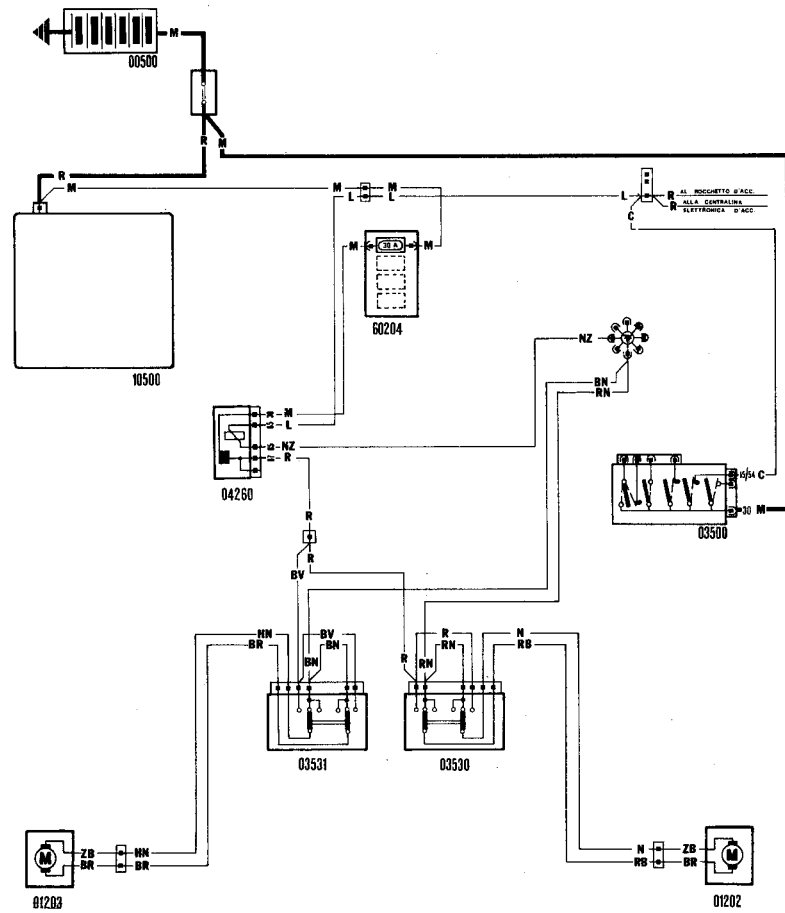
Wiring diagram 24 - dipped headlamps, headlamp main beam, foglamps (front and rear) and reversing lamps (1301 cc Turbo ie model)



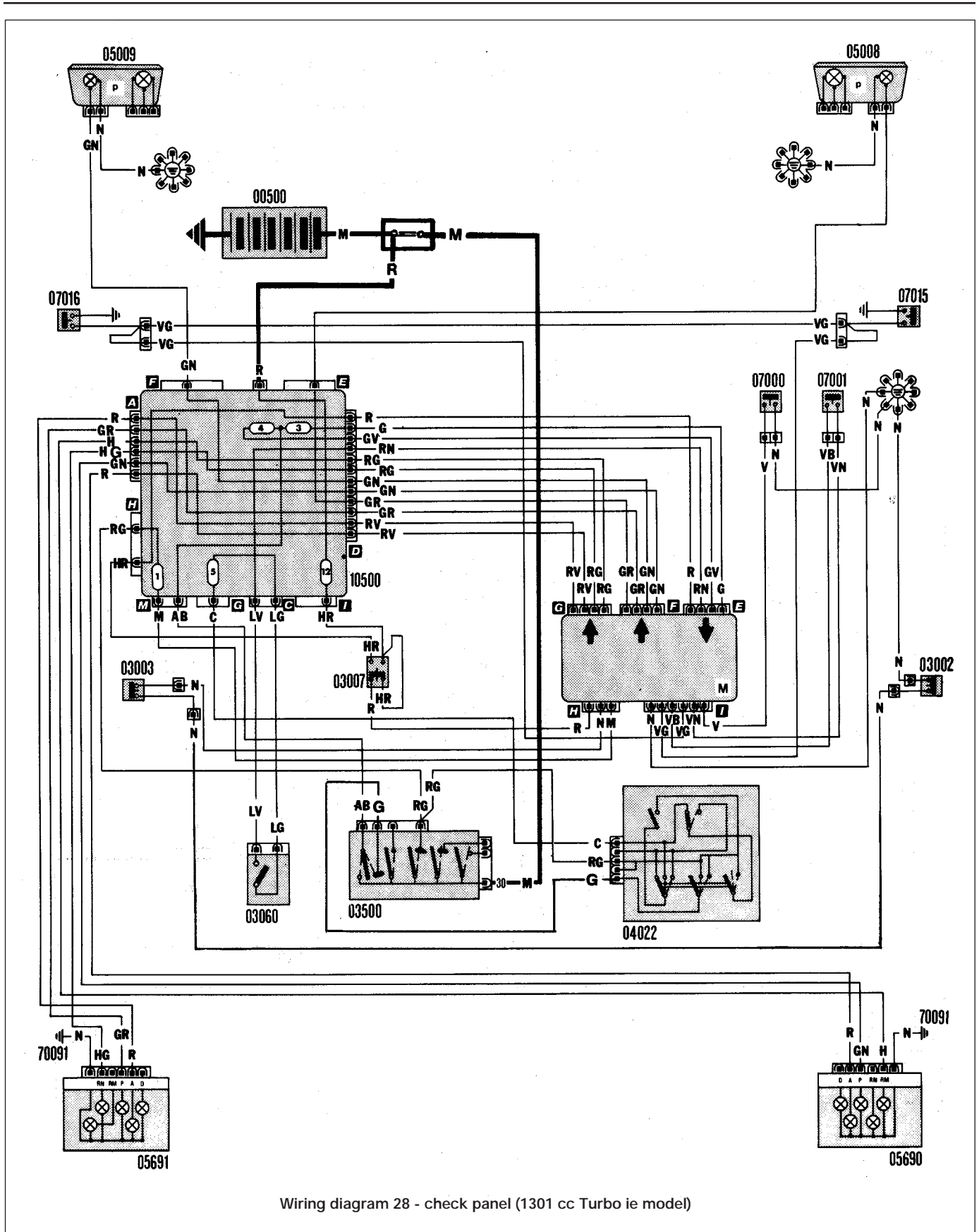
Wiring diagram 25 - front parking lamps, rear number plate lamp, fuel gauge and low level warning lamp, and instrument panel illumination (1301 cc Turbo ie model)



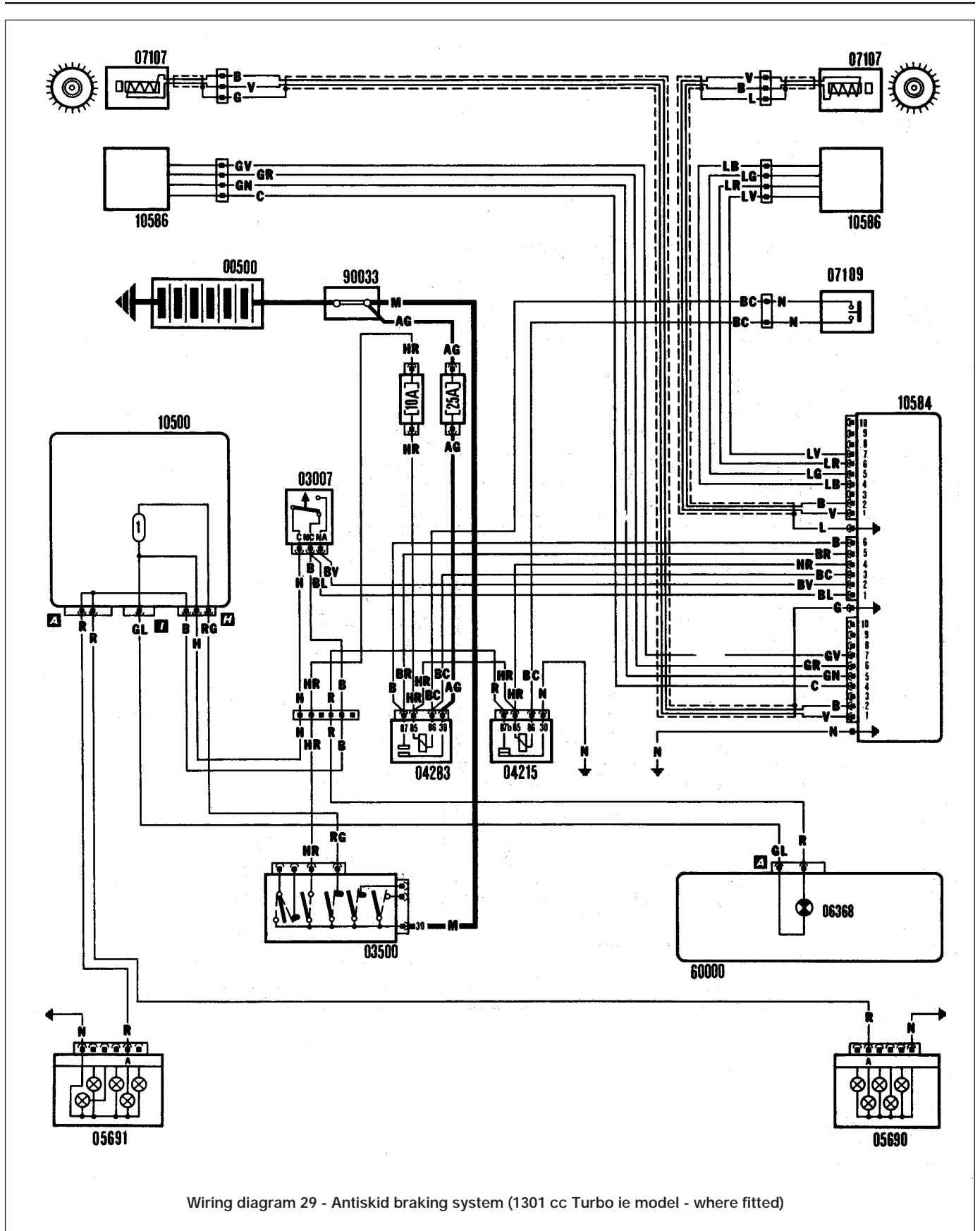
Wiring diagram 26 - windscreen wash/wipe, radiator fan, heated rear screen, instrument panel fibre optic, coolant temperature gauge and rear screen wash/wipe (1301 cc Turbo ie model)



Wiring diagram 27 - electric windows (1301 cc Turbo ie model)



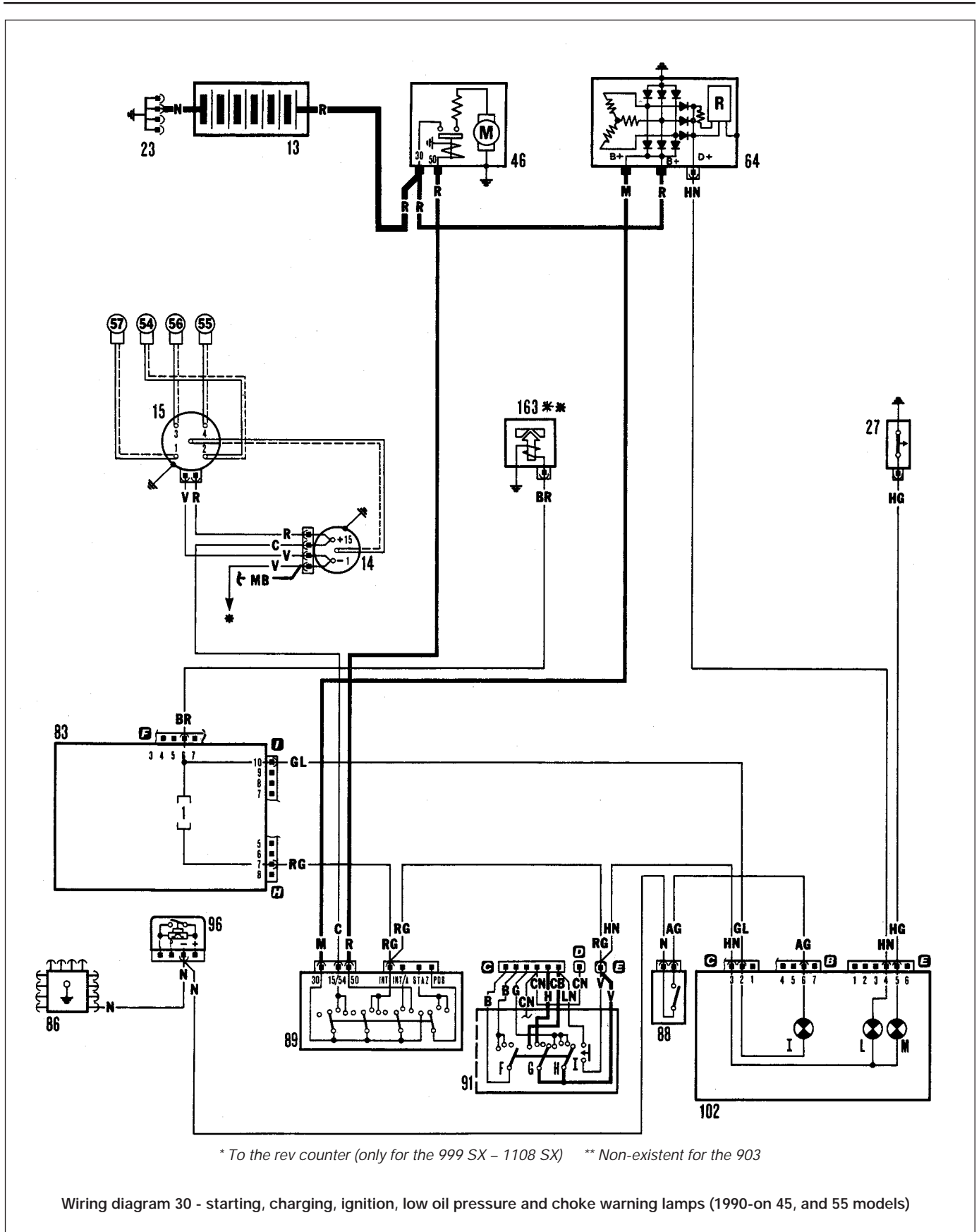
Wiring diagram 28 - check panel (1301 cc Turbo ie model)



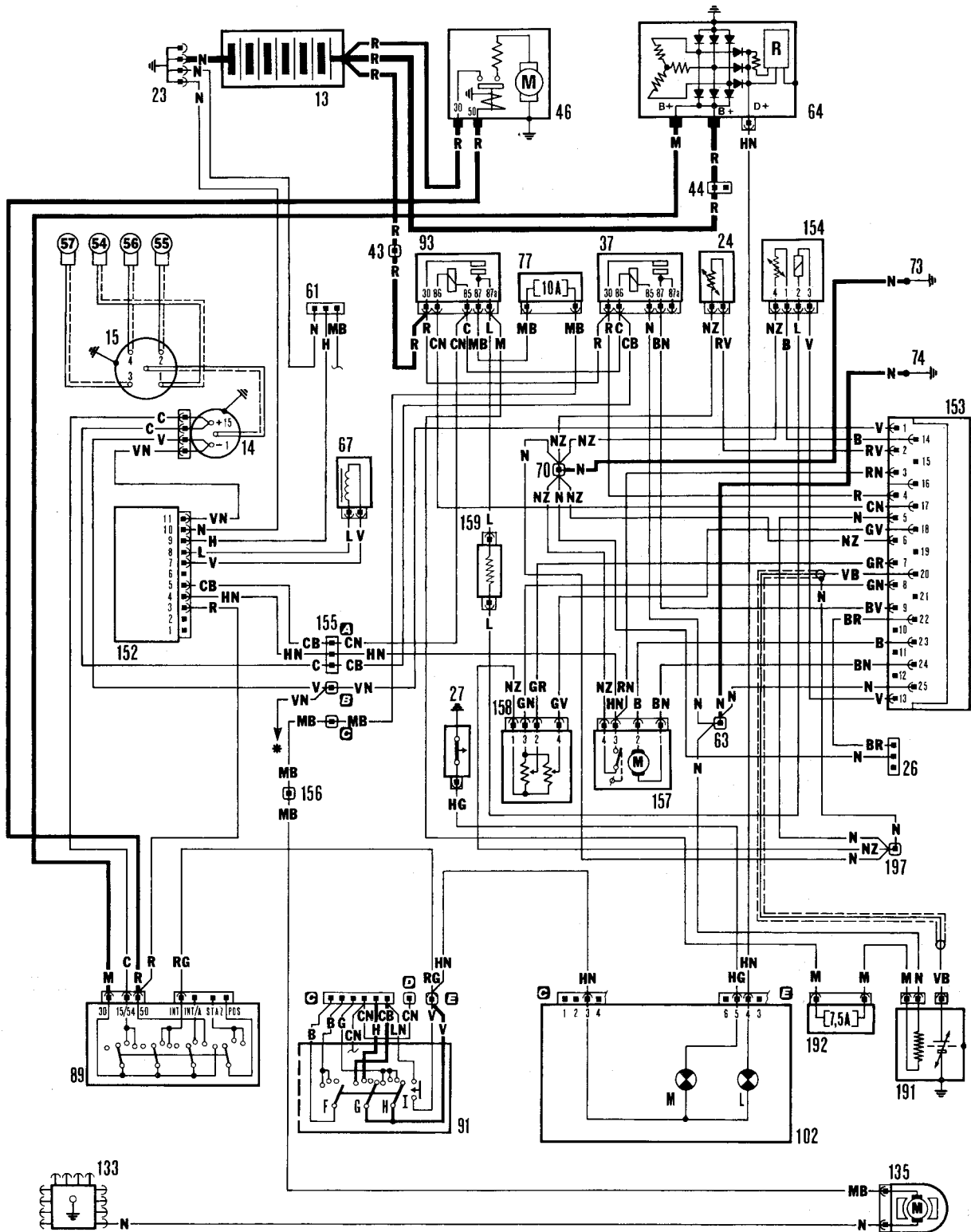
Component key for wiring diagrams 30 to 52

Note: Not all the items listed will be fitted to all models

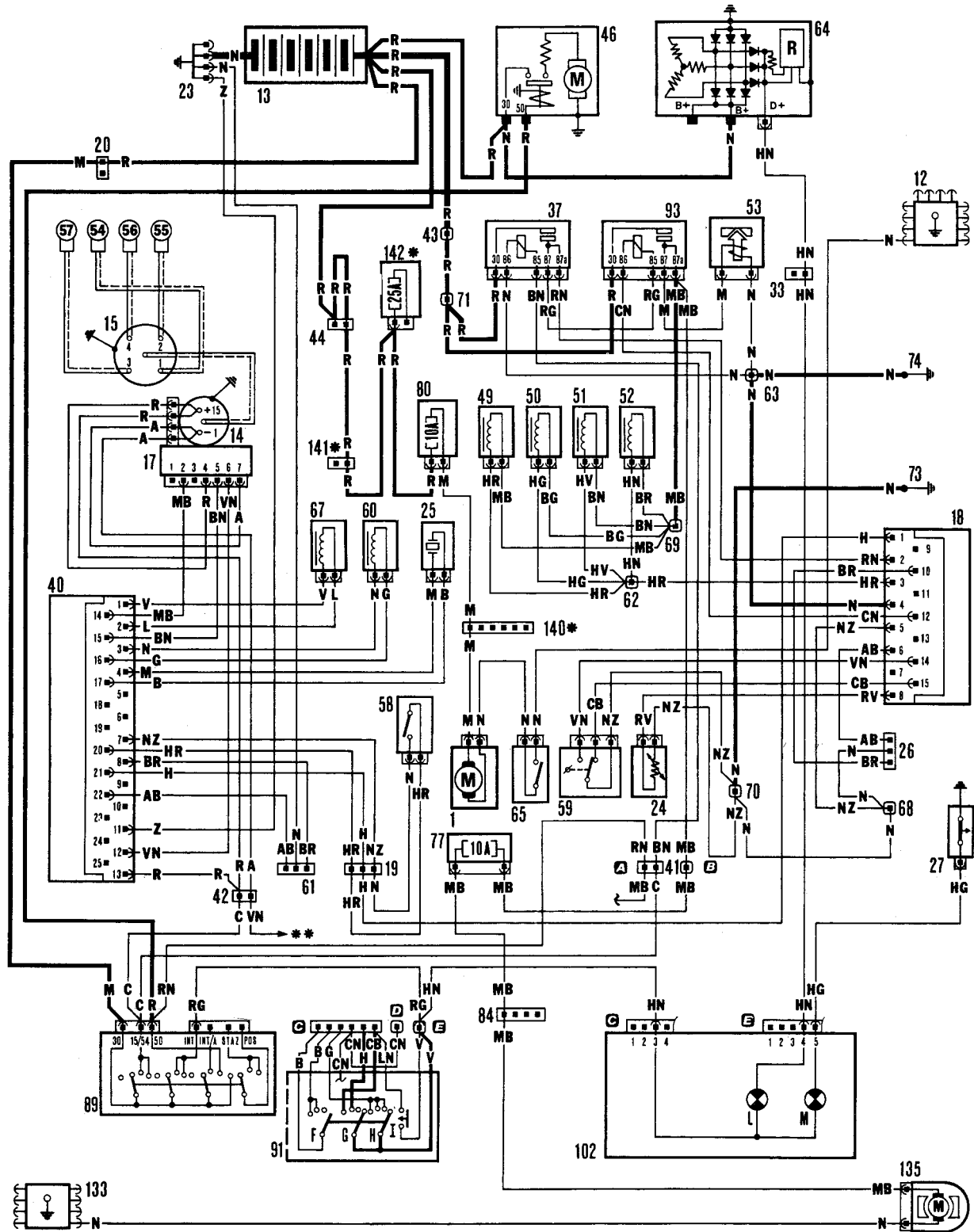
No	Description	No	Description	No	Description
1	Injector cooling fan	47	Windscreen wiper motor	F	Rear foglamps/headlamp washer intermittent device switch
2	Left front light cluster	48	Headlamp washer pump	G	Headlamp dip switch
3	Left foglamp	49	Fuel injector	H	External lights switch
4	Left front engine compartment earth	50	Fuel injector	I	Flasher switch
5	Radiator cooling fan	51	Fuel injector	92	Foglamp relay
6	Double contact thermostatic switch on engine radiator	52	Fuel injector	93	Electric fuel pump relay
6A	Thermostatic switch on engine radiator	53	Supplementary air valve	94	Electric windows relay feed
7	Left horn	54	Spark plug	95	Headlamp wash/wipe intermittent device
8	Right horn	55	Spark plug	96	Direction indicators/hazard warning lights flasher unit
9	Resistor for engaging radiator fan 1st speed	56	Spark plug	97	Central locking receiver
10	Right front light cluster	57	Spark plug	98	Central locking control unit
11	Right foglamp	58	Excess supercharging pressure switch	99	Join with brake pad cables
12	Right front engine compartment earth	59	Throttle position switch	100	Join between engine cable and dashboard cables
13	Battery	60	Engine speed sensor	101	Automatic heater cable join
14	Ignition coil	61	Ignition diagnostic socket	102	Instrument panel
15	Ignition distributor with magnetic impulse generator	62	Connector block	A	Foglamps warning light
16	Left front side direction indicator	63	Connector block	B	Main beam headlamps warning light
17	Ignition power module	64	Alternator	C	Side lights warning light
18	MPi electronic injection control unit	65	Thermostatic switch for injector cooling fan	D	Rear foglamps warning light
19	Join between injection/ignition cables in engine compartment	66	Right brake pad wear sensor	E	Heated rear screen warning light
20	Battery cables join in engine compartment	67	TDC sensor	F	Hazard warning lights warning light
21	Antiskid braking system wiring join	68	Connector block	G	Direction indicators warning light
22	Starting go-ahead relay	69	Connector block	H	Handbrake applied and insufficient brake fluid level warning light
23	Earth for battery	70	Connector block	I	Choke warning light
24	Radiator coolant temperature sender unit for electronic injection	71	Connector block	K	Instrument panel light bulbs
25	Anti-knock sensor	72	Join with right brake pad cables	L	Battery recharging warning light
26	Injection system diagnostic socket	73	Electronic earth	M	Insufficient engine oil pressure warning light
27	Switch signalling insufficient engine oil pressure	74	Power earth	O	Antiskid braking system failure warning light
28	Radiator coolant temperature sender unit	75	Brake stop-lamp switch	P	Maximum turbocharging pressure warning light
29	Engine oil temperature sender unit	76	20 A fuse for central locking	Q	Brake pad wear warning light
30	Engine oil pressure sender unit	77	10 A fuse for electric fuel pump	R	Door ajar warning light
31	Right front side direction indicator	78	30 A fuse for radiator cooling fan	U	Fuel level gauge
32	Engine oil temperature sender unit cable join	79	30 A fuse for electric windows	V	Engine oil pressure gauge
33	Battery recharging signal cable join	80	10 A fuse for injector cooling fan	W	Engine oil temperature gauge
34	Windscreen washer pump	81	20 A fuse for headlamp wash/wipe	Y	Tachometer
35	Rear screen washer pump	82	20 A fuse for foglamps	Z	Coolant temperature gauge
36	Reversing switch	83	20 A fuse for foglamps	103	Join with remote control central locking cables
37	Fuel injectors relay feed	84	Junction box with fuses and relays: E1 Horn relay (for single tone horns bridge between 86 and 87)	104	Cigar lighter
38	Insufficient brake fluid level sensor	85	E2 Heated rear screen relay	105	Radio receiver
39	Left brake pad wear sensor	86	E3 Heater (bridge between 85 and 30)	106	Heater unit
40	Microplex electronic ignition control unit	87	84 Join between front cable and rear cables	107	Switch unit
41	Injection cables join in engine compartment	88	85 Join between front cable and door ajar sensor cables	A	Heated rear screen switch
42	Ignition cables join in engine compartment	89	86 Earth on dashboard, left hand side	B	Rear foglamps switch
43	Join between battery cable and injection cables	90	87 Earth on dashboard, right hand side	C	Switch unit light bulb
44	Join between engine cable and battery cables	91	88 Choke warning light switch	D	Rear screen wiper switch
45	Left front brake pad cables join	89	89 Ignition switch	E	Foglamps switch
46	Starter motor	90	90 Hazard warning lights switch	F	Clock
		91	91 Steering column switch unit	108	Left front electric window motor
		A	A Rear screen wash/wipe switch	109	Left front central locking geared motor
		B	B Horn button	110	Switch signalling left front door ajar
		C	C Direction indicators switch		
		D	D Windscreen wiper intermittent speed selector switch		
		E	E Windscreen/headlamp washer control switch		



Wiring diagram 30 - starting, charging, ignition, low oil pressure and choke warning lamps (1990-on 45, and 55 models)

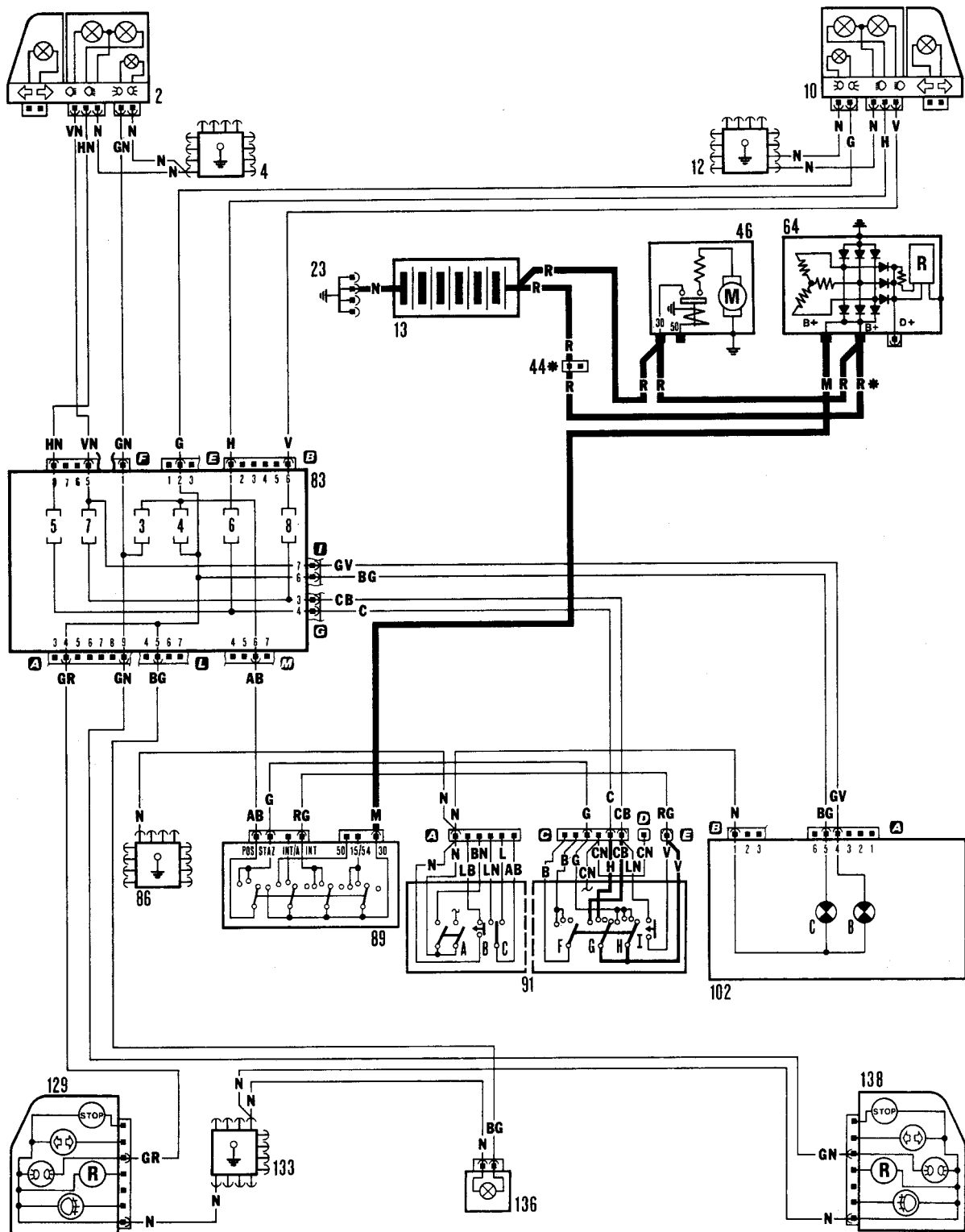


Wiring diagram 31 - starting, charging, Digiplex 2 ignition, SPi fuel injection, fuel pump and low oil pressure (1990-on 70 SX and 1.4 models)



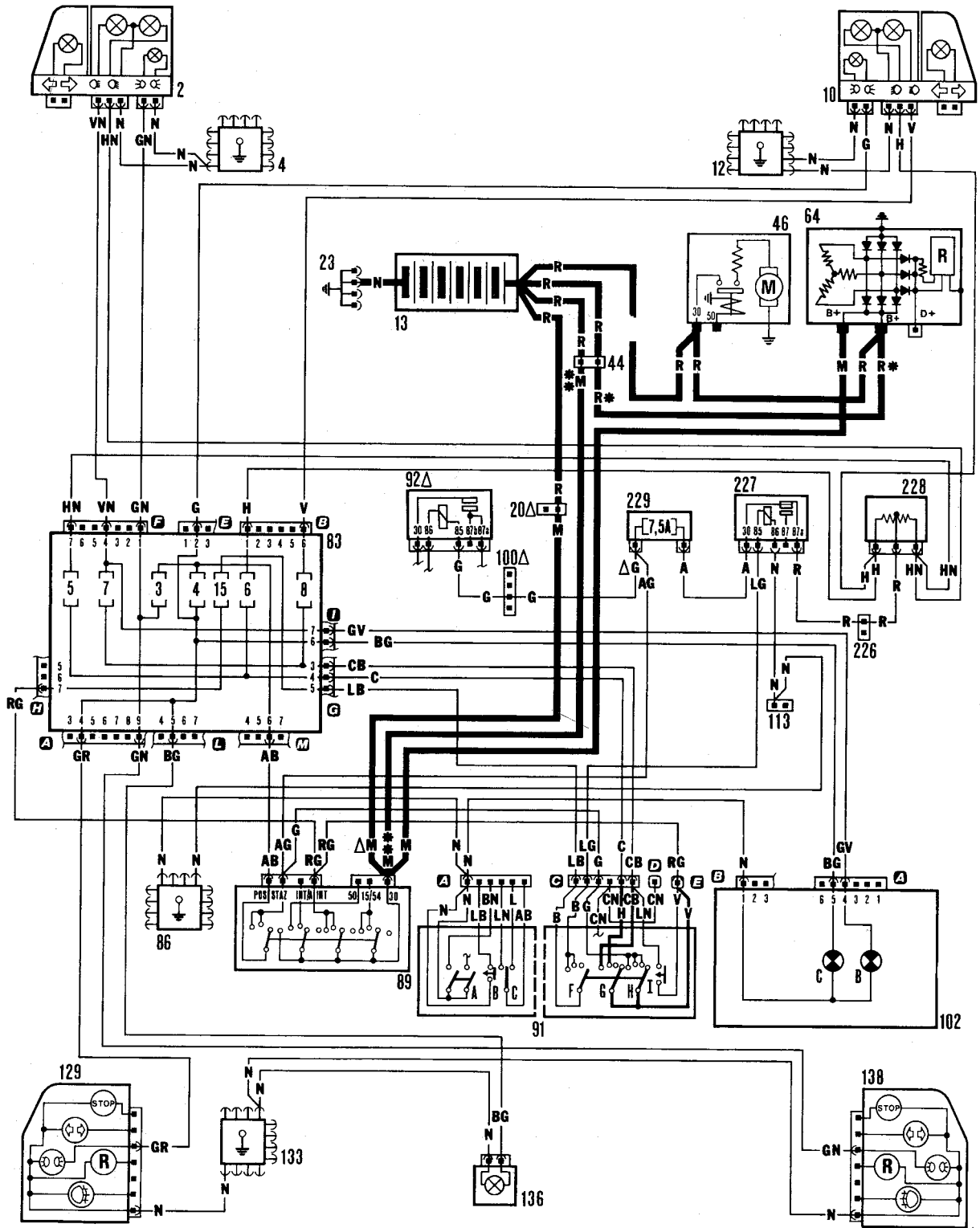
* To the rev counter ** Only for the 1372 Turbo with A.B.S. (AP)

Wiring diagram 32 - starting, charging, Microplex ignition, MPI fuel injection, fuel pump and low oil pressure (1372 cc Turbo ie model)



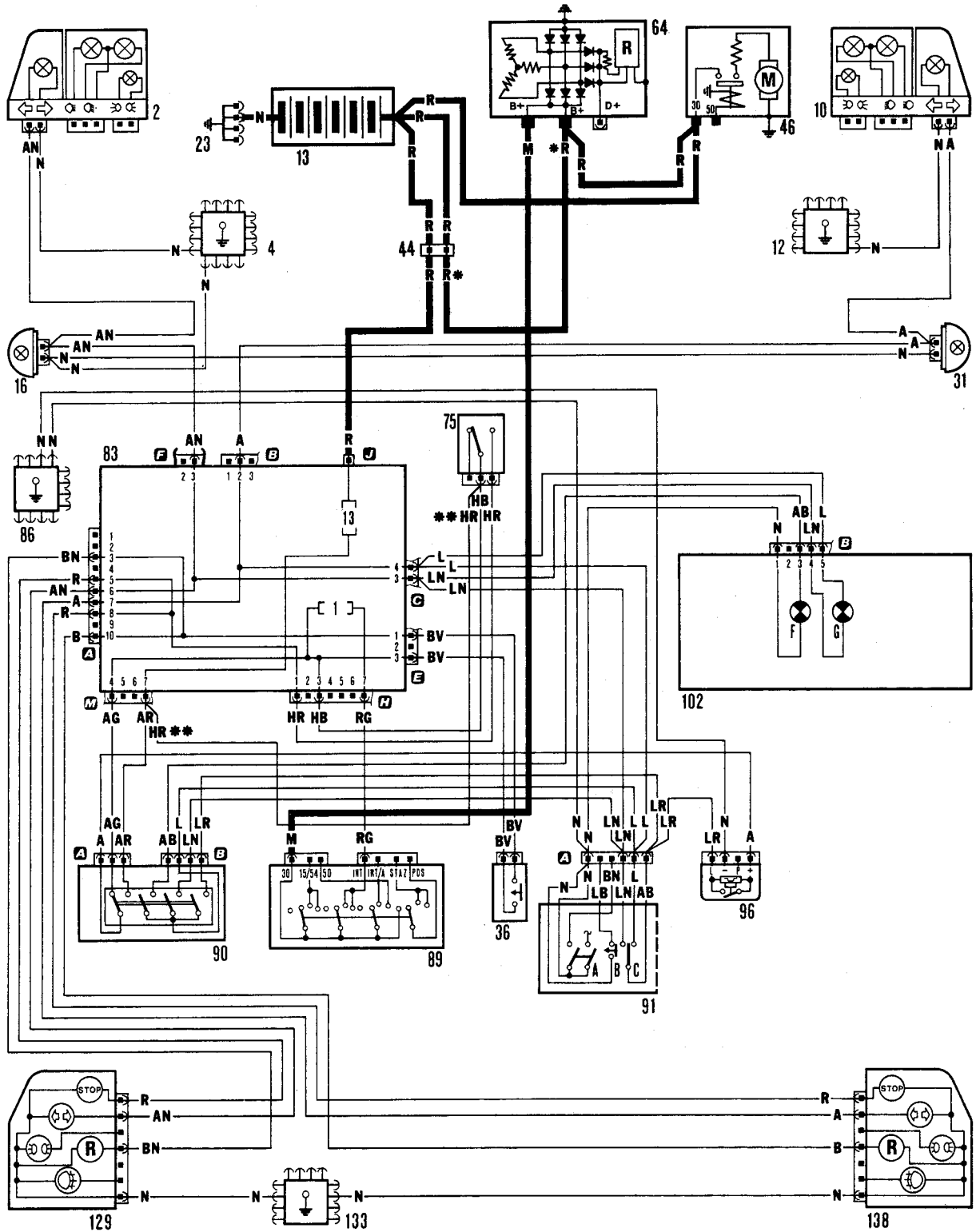
* Only for 1372 S ie - 1372 SX ie

Wiring diagram 33 - parking lamps, main/dipped headlamps, headlamp flasher and rear number plate lamp (1990-on 45, 55, 70 and 1.4 models)



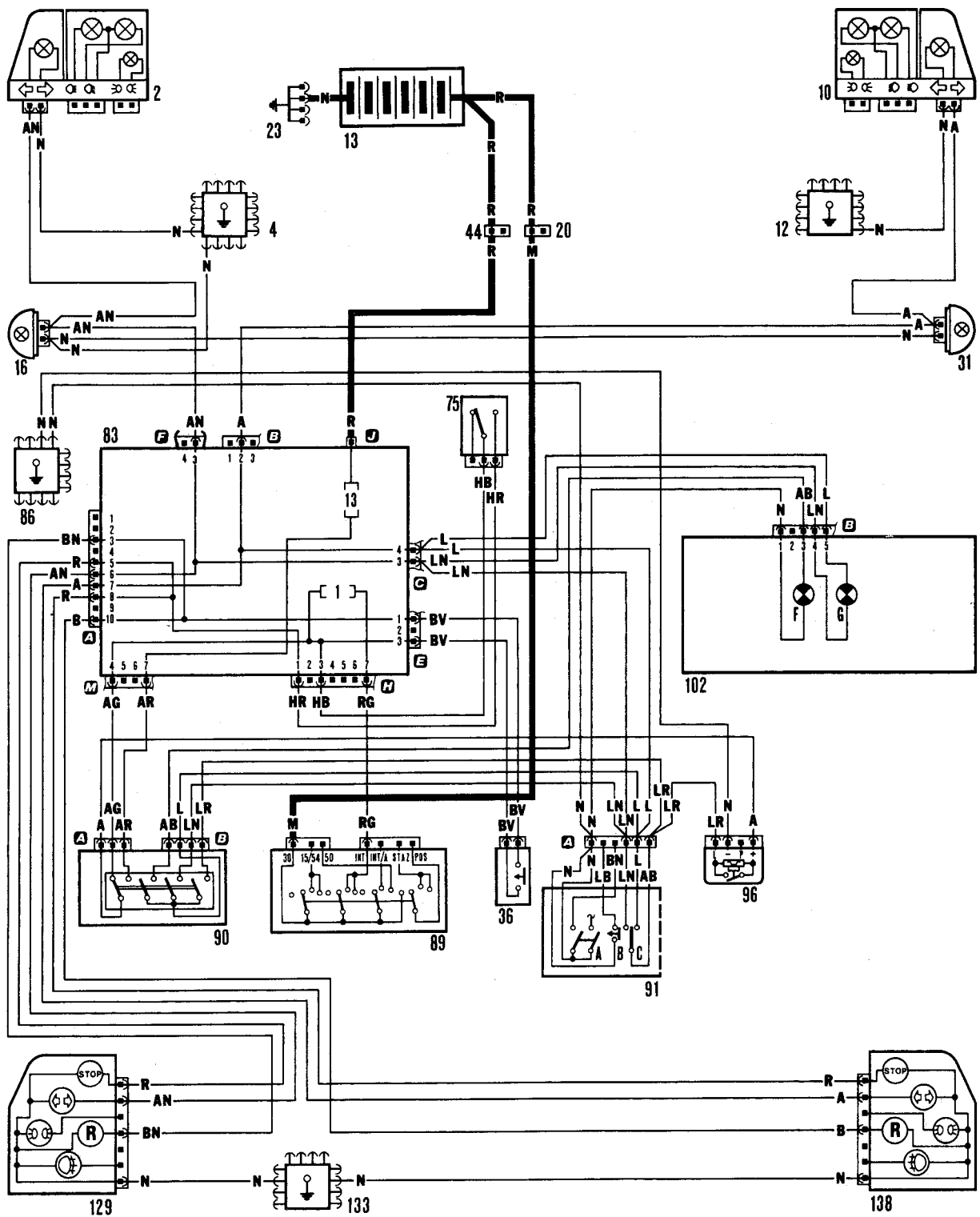
* Only for 1116 S (CTX) and 1372 (CTX) versions ** Only for 1116 S (CTX) and 1372 Turbo ie versions

Wiring diagram 34 - parking lamps, main/dipped headlamps, headlamp flasher and rear number plate lamp (1372 cc Turbo ie models)

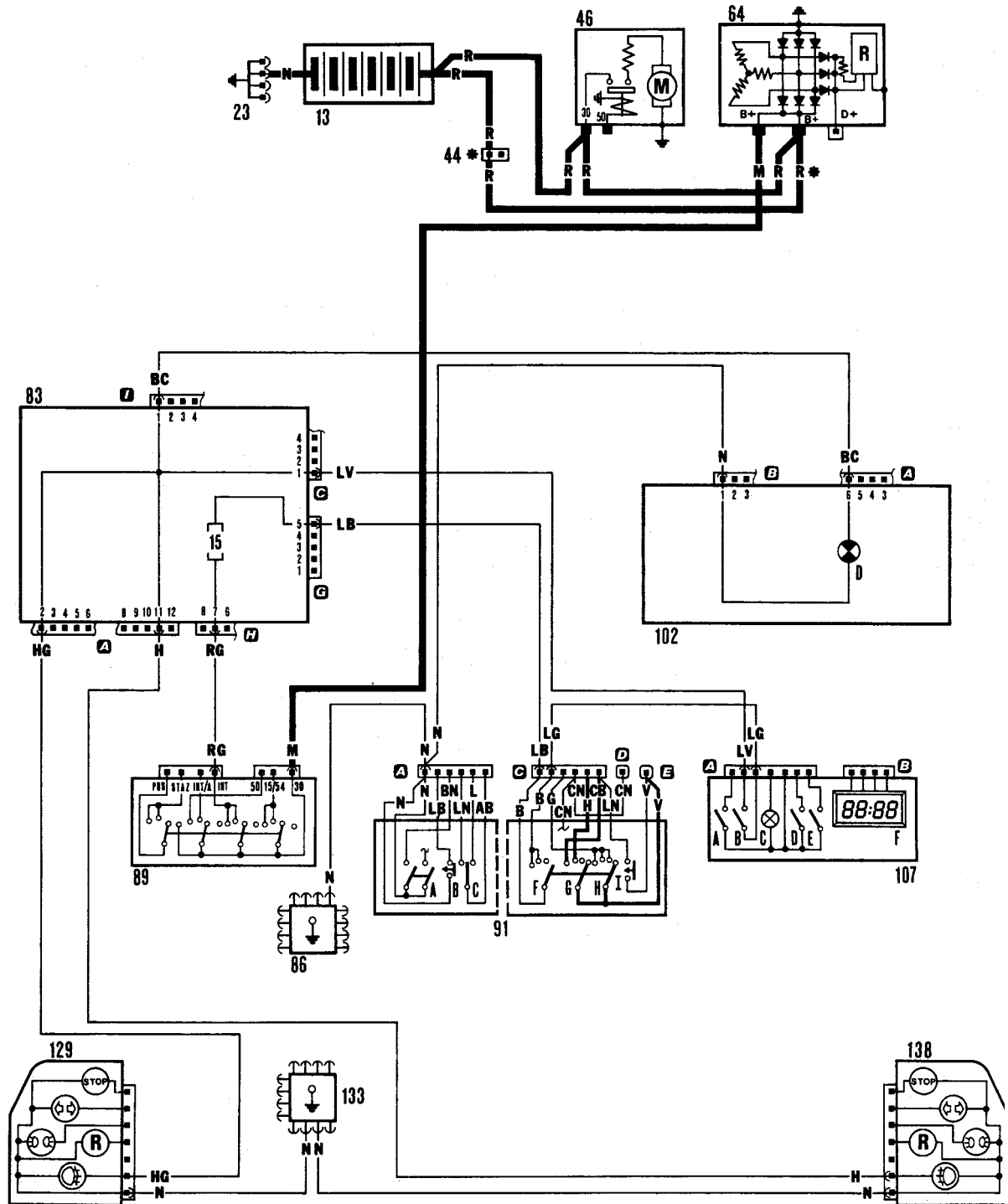


- * Only for 1372 S i.e. - 1372 SX i.e. - 1697 D - 1367 Turbo D versions.
- ** Only for 903 - 999 - 999 S - 1108 S - 1372 S i.e. - 1301 D - 1697 D versions.

Wiring diagram 35 - direction indicators, hazard warning lamps, reversing lamps and brake stop-lamps (1990-on 45, 55, 70 and 1.4 models)

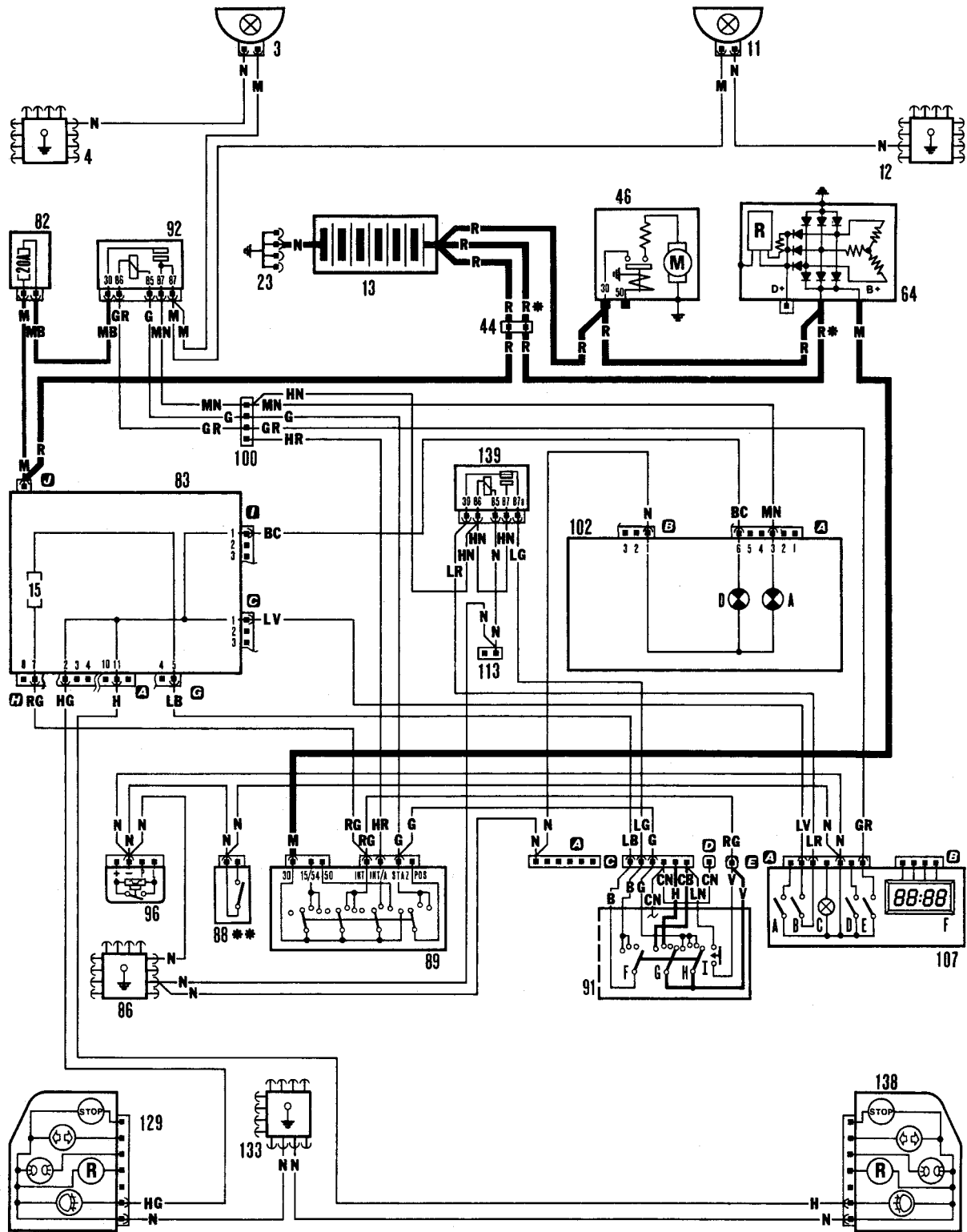


Wiring diagram 36 - direction indicators, hazard warning lamps, reversing lamps and brake stop-lamps (1372 cc Turbo ie model)



* Only for 1372 S i.e. - 1697 D versions

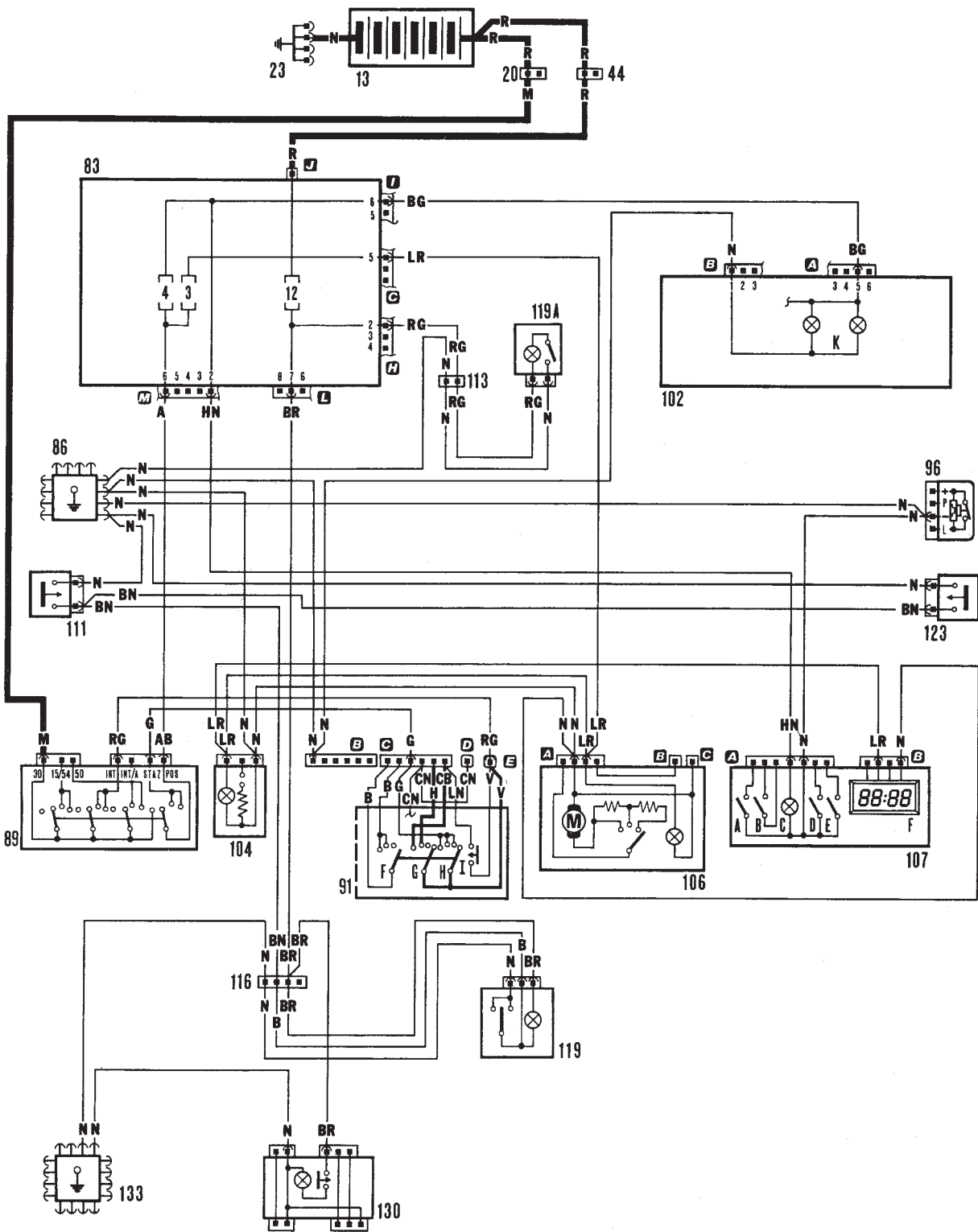
Wiring diagram 37 - rear foglamps (1990-on 45 and 55 models)



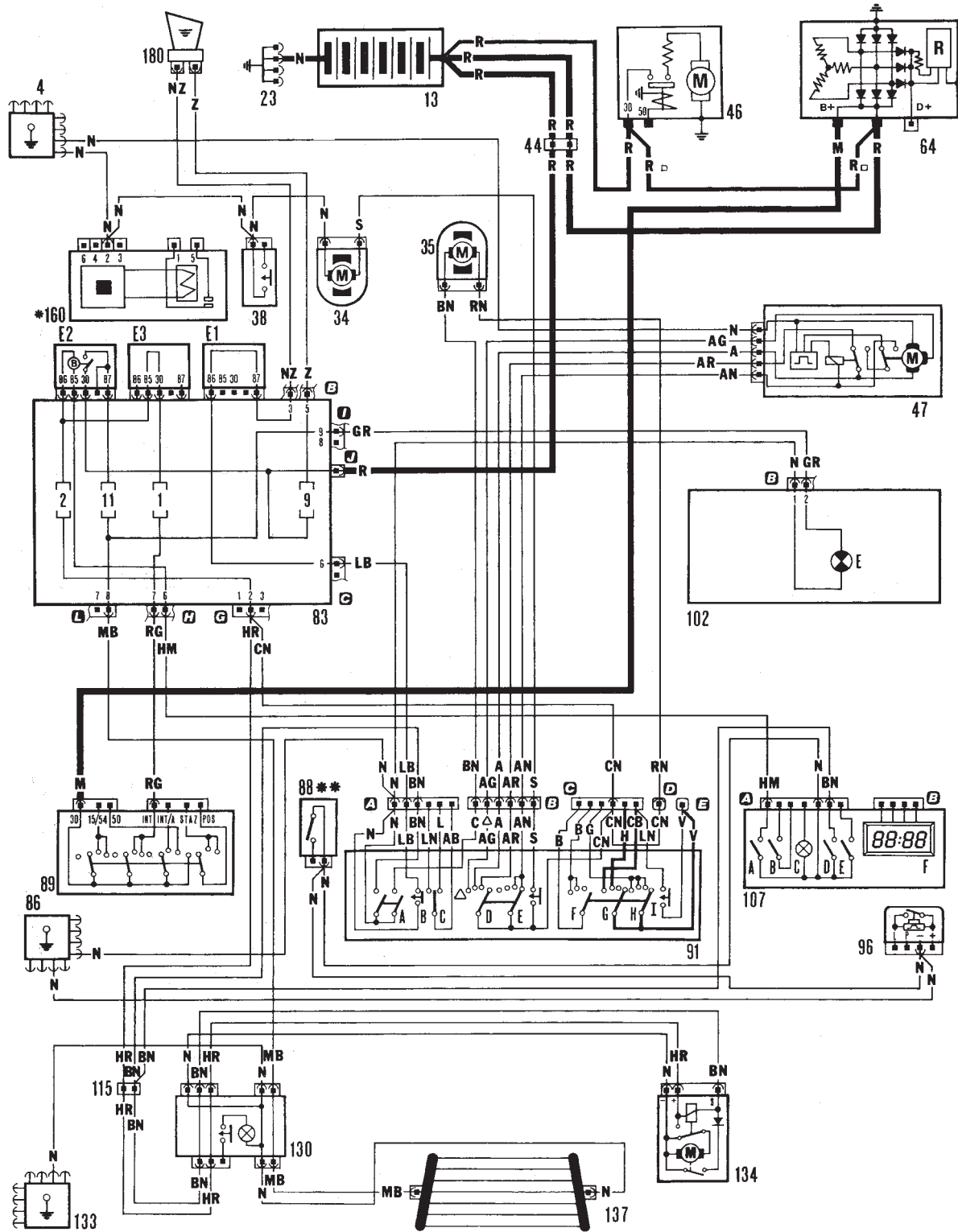
* Only for 1372 SX i.e. - 1367 Turbo D versions.

** Only for 999 SX - 1108 SX versions.

Wiring diagram 38 - front and rear foglamps (1990-on 70 SX and 1.4 models)



Wiring diagram 41 - courtesy lamps and instrument panel lamps (1372 cc Turbo ie model)



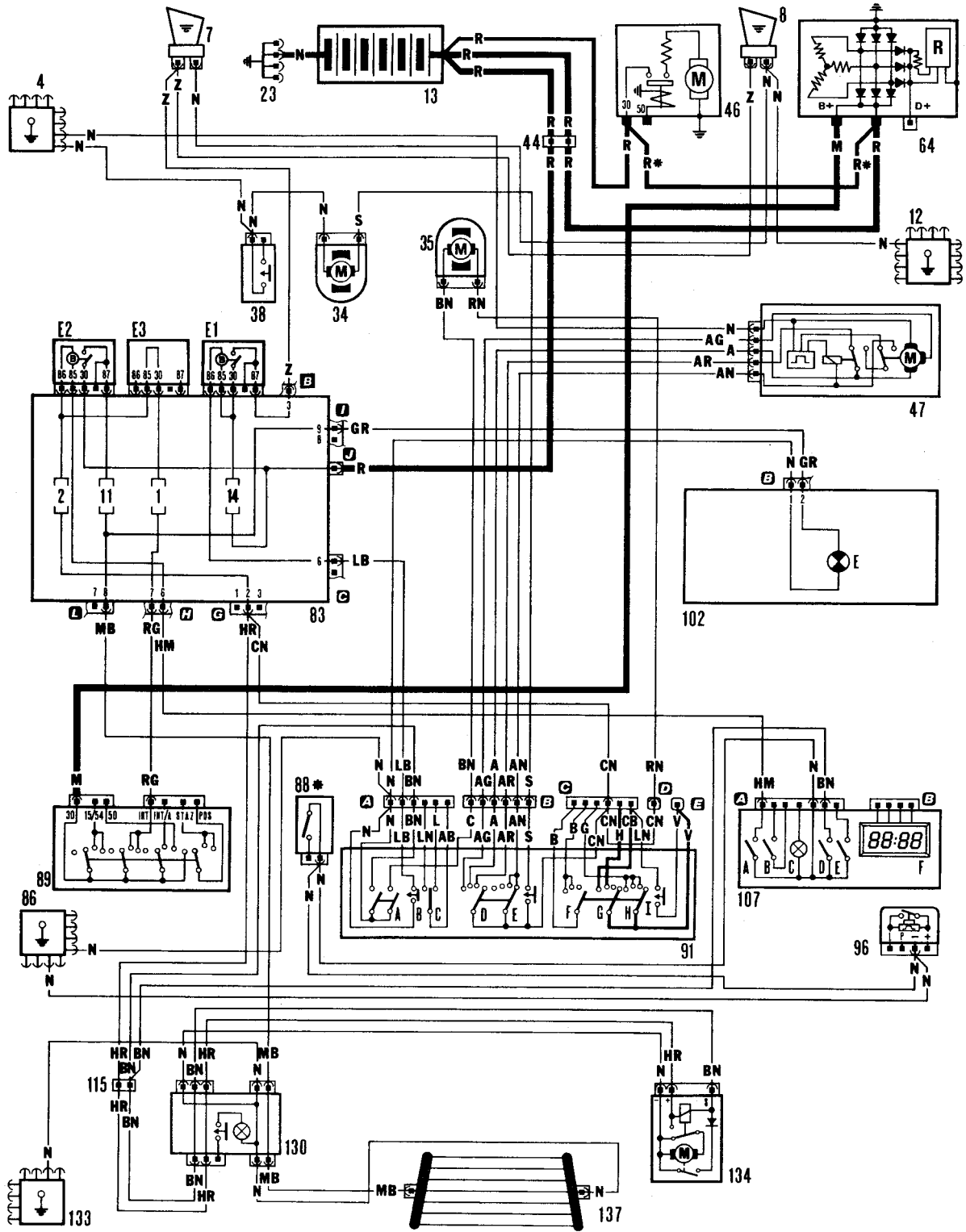
* Only for Diesel versions

** Only for versions with carburettor

△ Only for 999 S - 1108 S - 1372 S i.e. versions

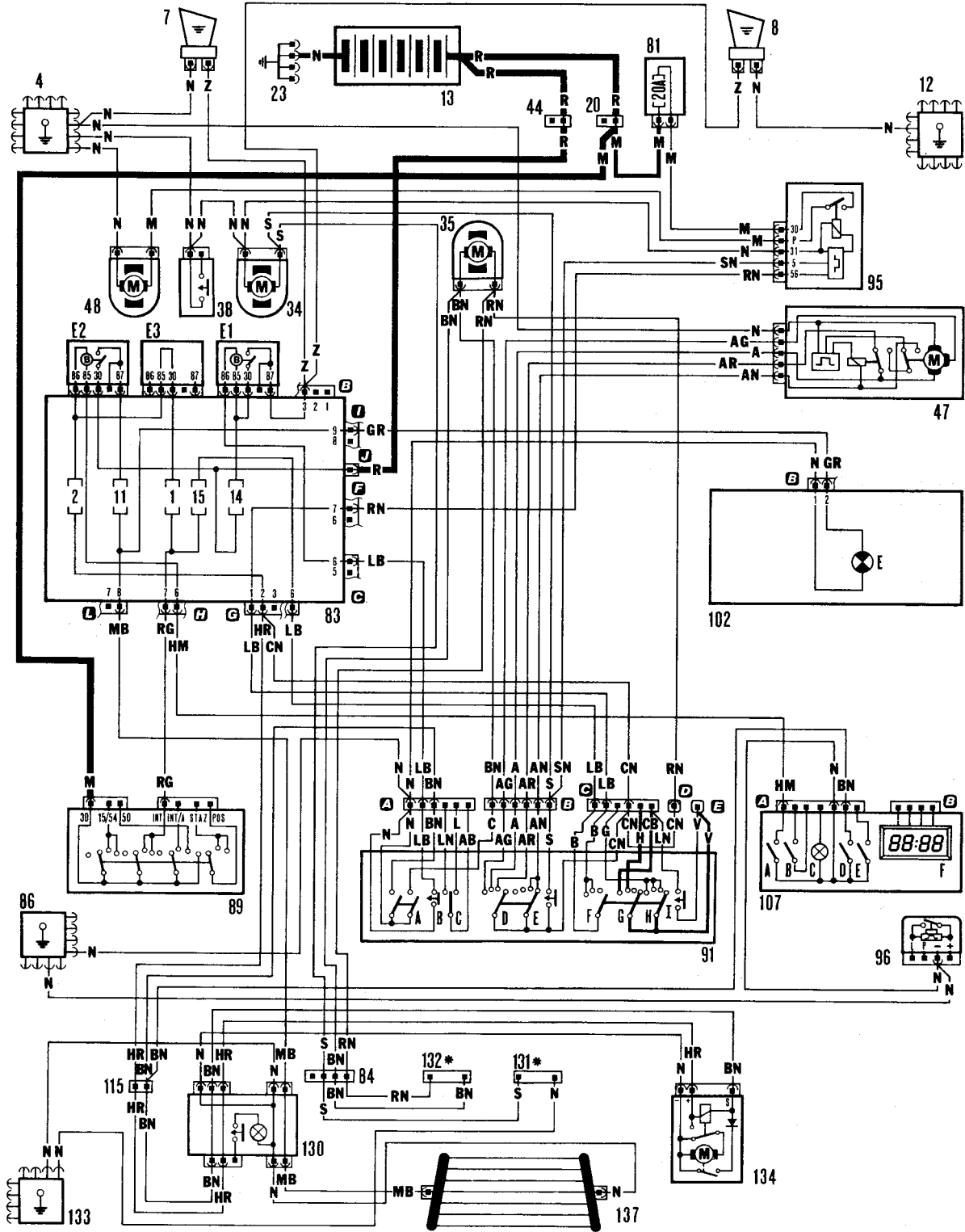
□ Only for 903 - 999 - 1108 S - 1301 D versions

Wiring diagram 42 - horns, heated rear screen and windscreen/rear screen wash/wipe (1990-on 45 and 55 models)



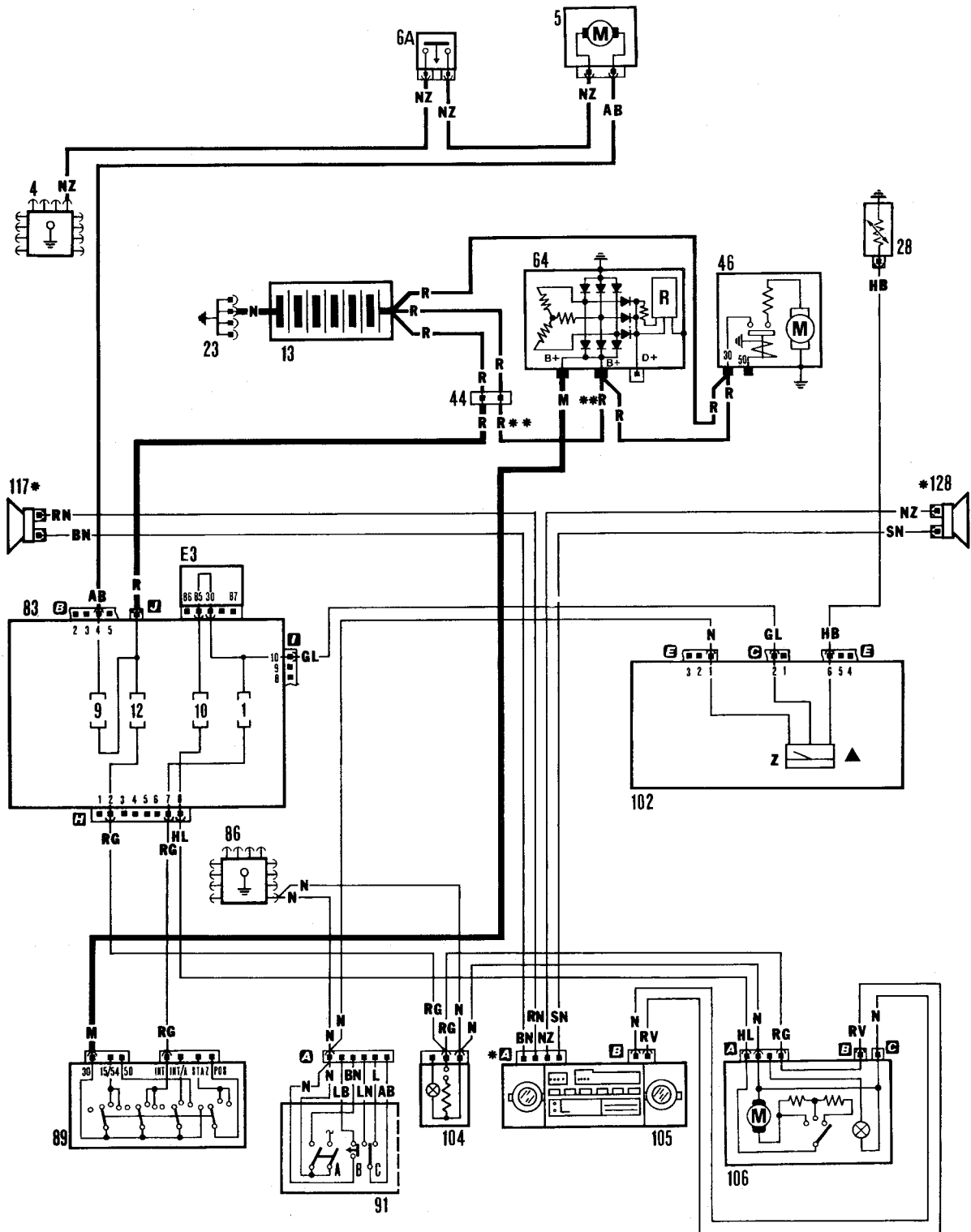
* Only for 999 SX - 1108 SX versions

Wiring diagram 43 - horns, heated rear screen and windscreen/rear screen wash/wipe (1990-on 70 SX and 1.4 models)



* Location of electric pumps Nos. 34 and 35 if optional headlamp washer is connected.

Wiring diagram 44 - horns, heated rear screen, windscreen/rear screen wash/wipe and headlamp wash/wipe (1372 cc Turbo ie model)

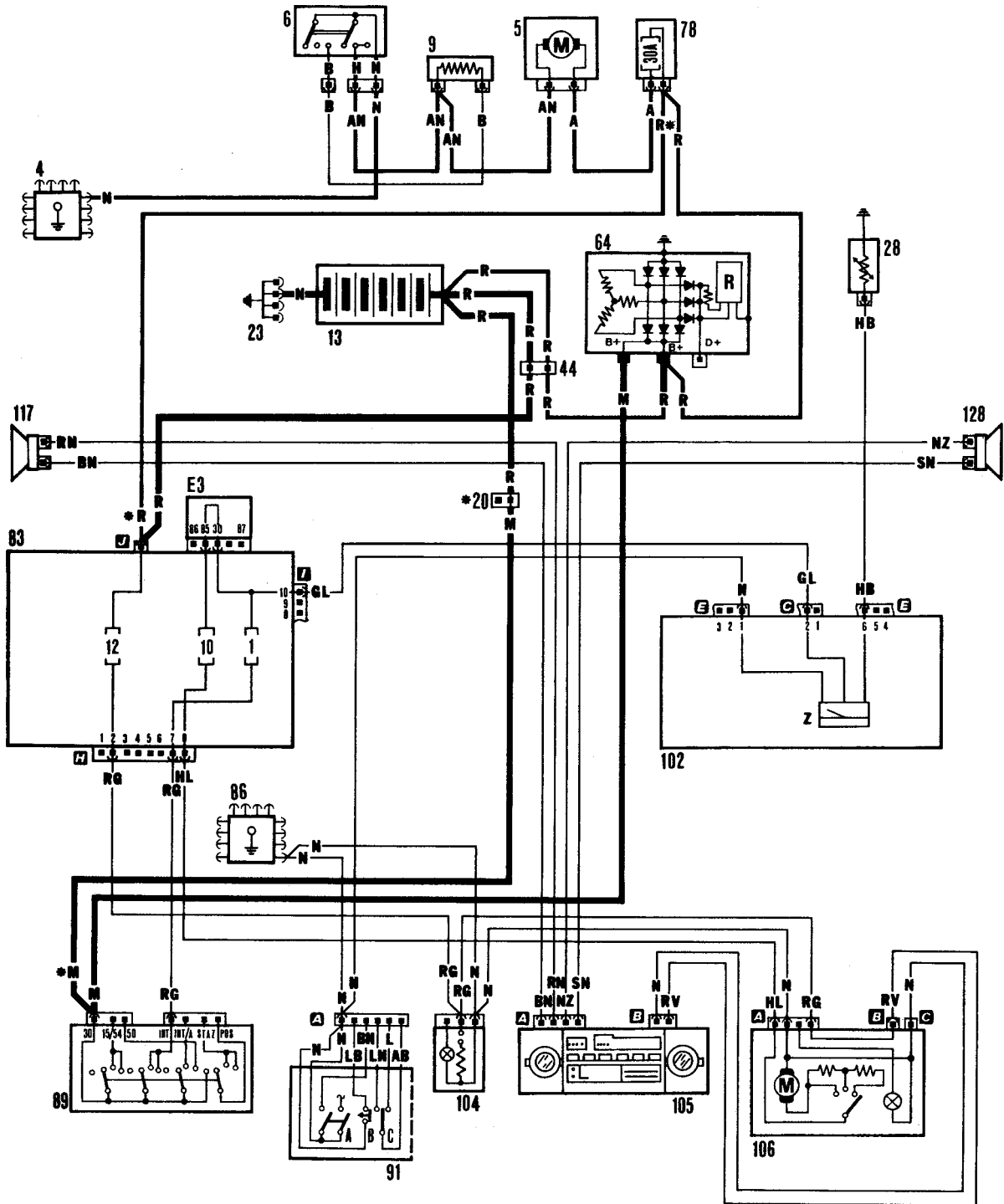


* Only for SX versions

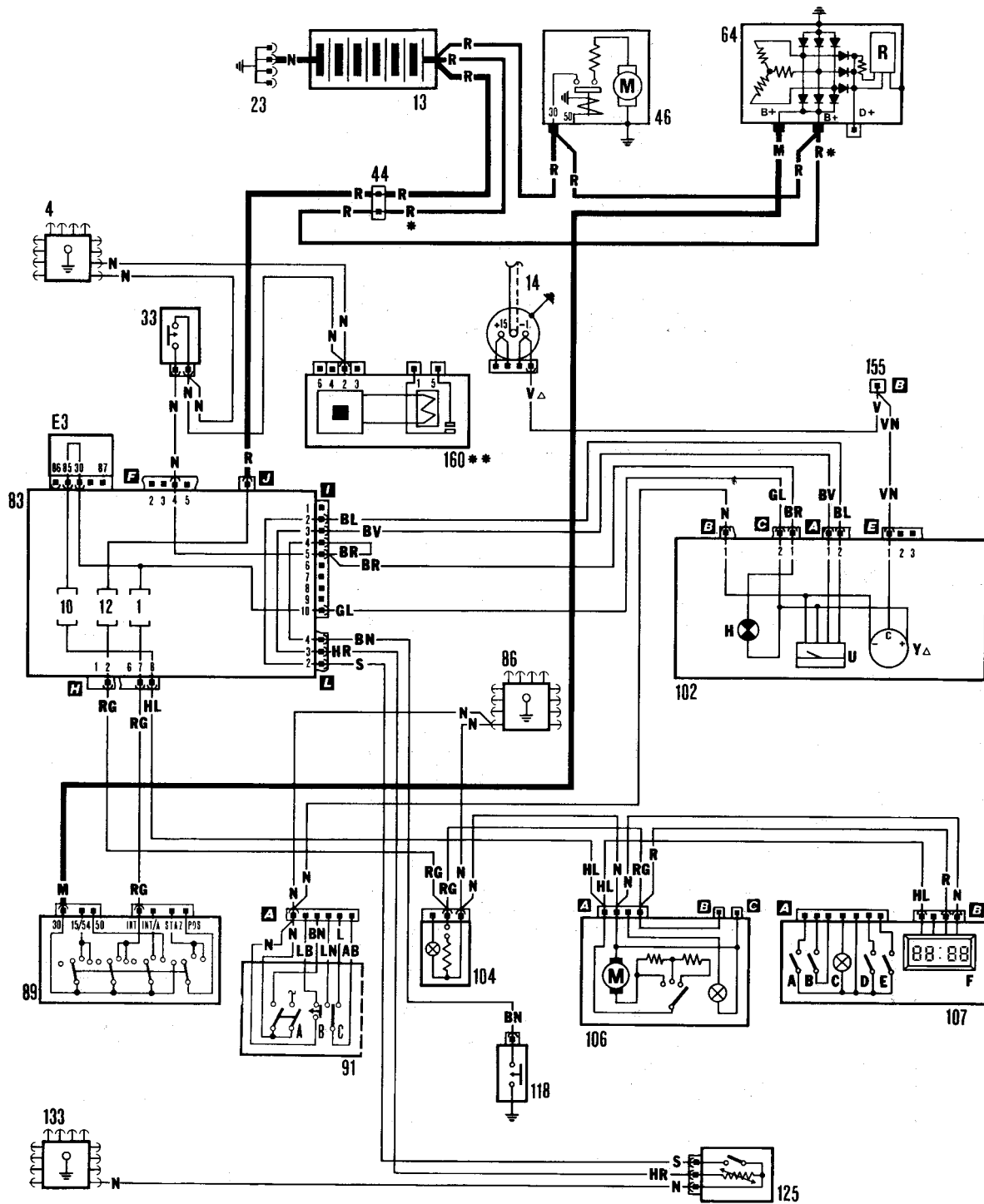
** Only for 1372 S i.e. - 1372 SX i.e. versions

▲ For standard versions with 903 and 999 engines warning light only

Wiring diagram 45 - radiator cooling fan, heater, radio and cigar lighter (1990-on 45, 55, 70 and 1.4 models)

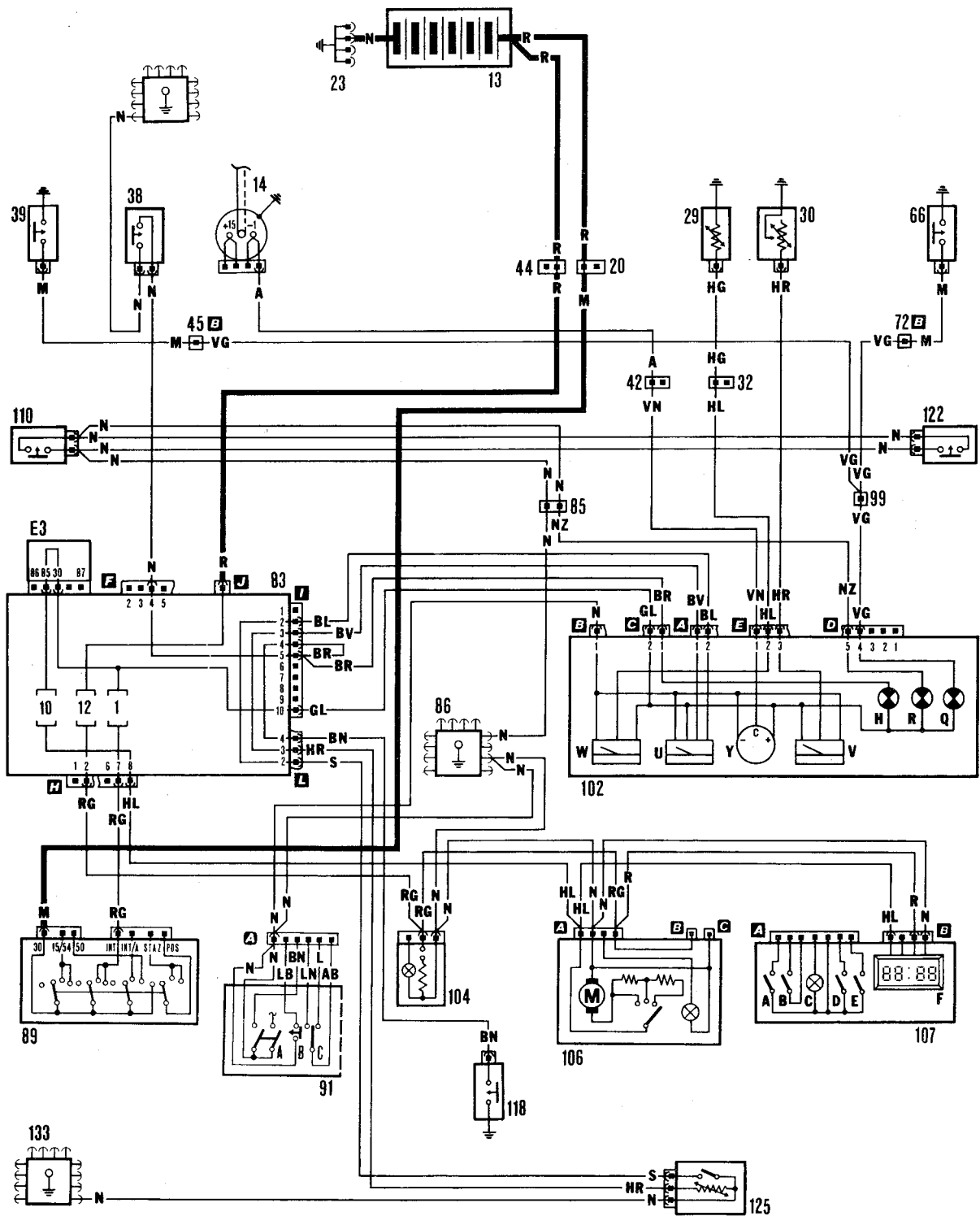


Wiring diagram 46 - radiator cooling fan, heater, radio and cigar lighter (1372 cc Turbo ie model)

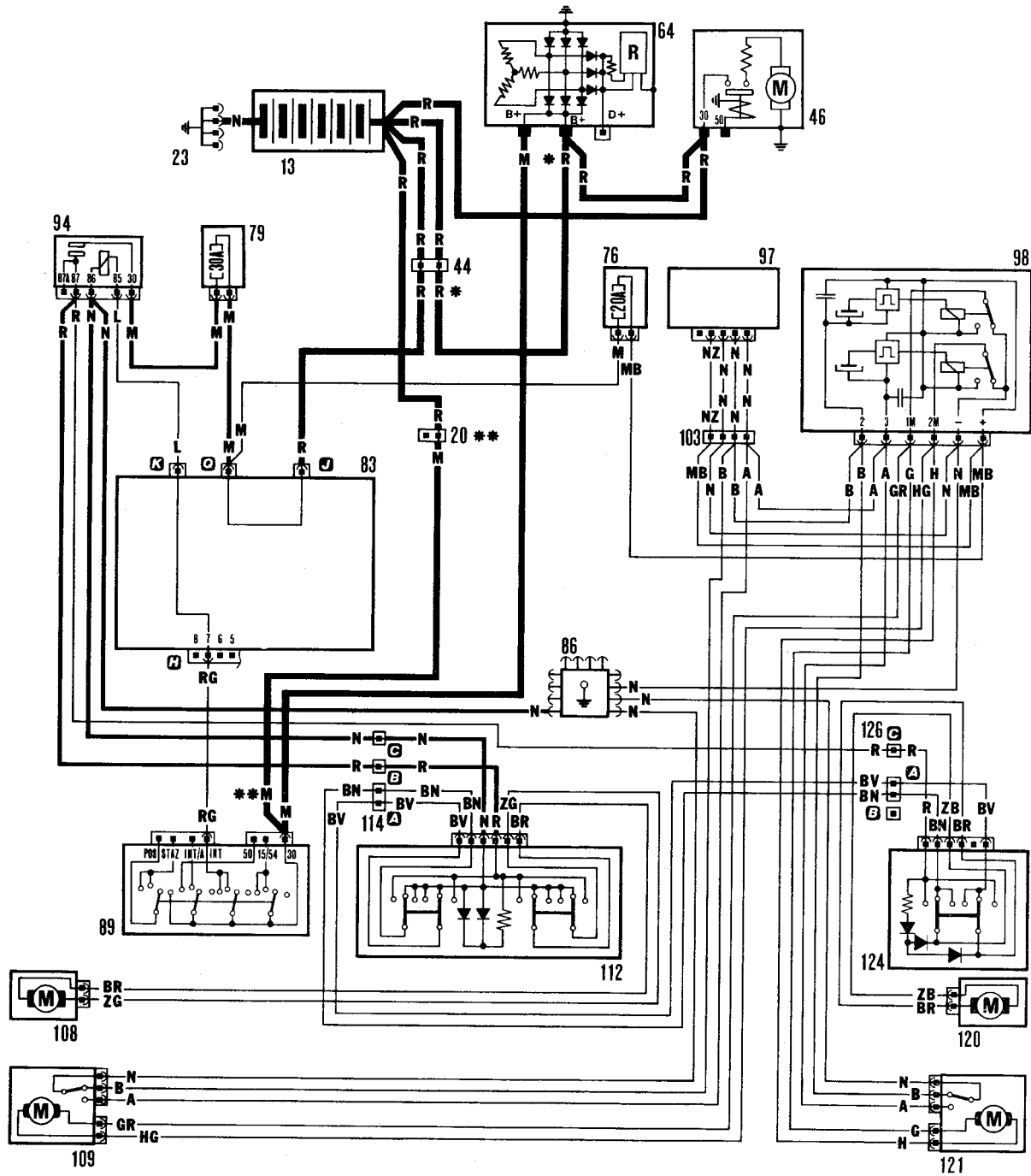


*Only for 1372 S ie - 1372 SX ie - 1697 D ** Only for D versions ▲ Only for SX versions

Wiring diagram 47 - fuel gauge, tachometer, digital clock, brake fluid and handbrake warning lamp
(1990-on 45, 55, 70 and 1.4 models)

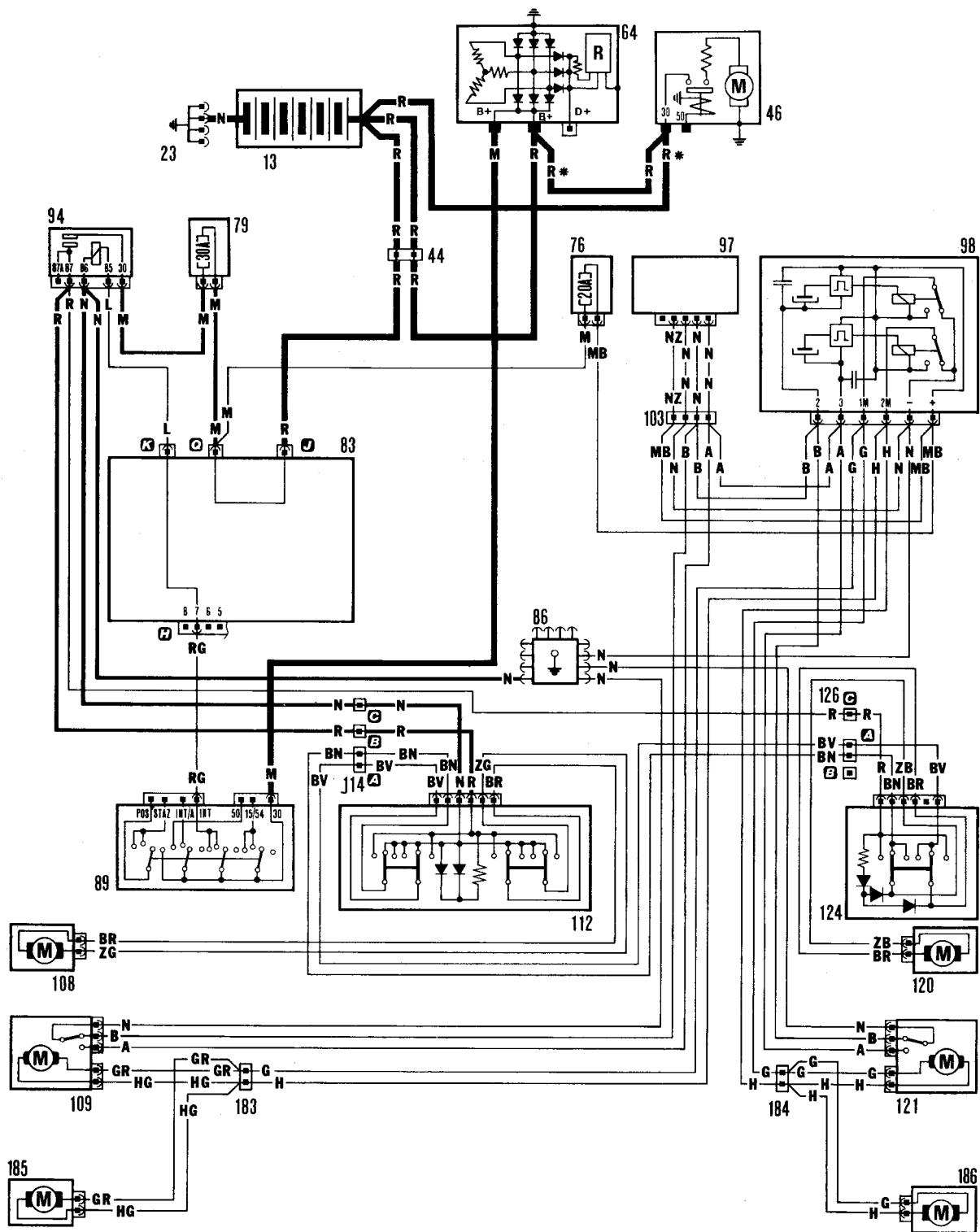


Wiring diagram 48 - fuel gauge, tachometer, digital clock, brake fluid level sensor, handbrake-on switch, brake pad wear sensor, door ajar switch and oil pressure/temperature sender units (1372 cc Turbo ie model)



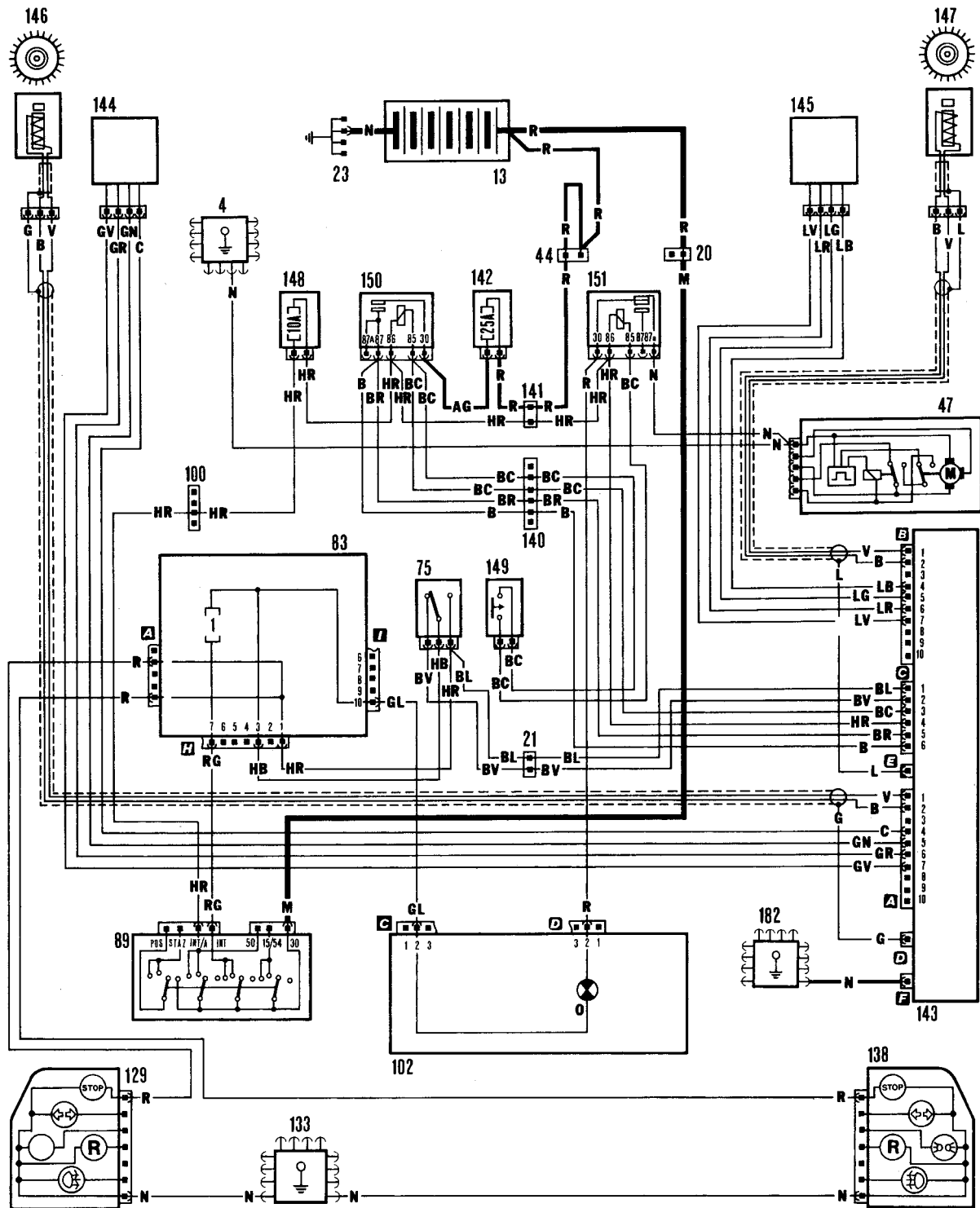
* Only for 1372 SX i.e. - 1367 Turbo D versions.
 ** Only for 1372 Turbo i.e. version

Wiring diagram 49 - electric windows and central locking (1990-on 3-door models)

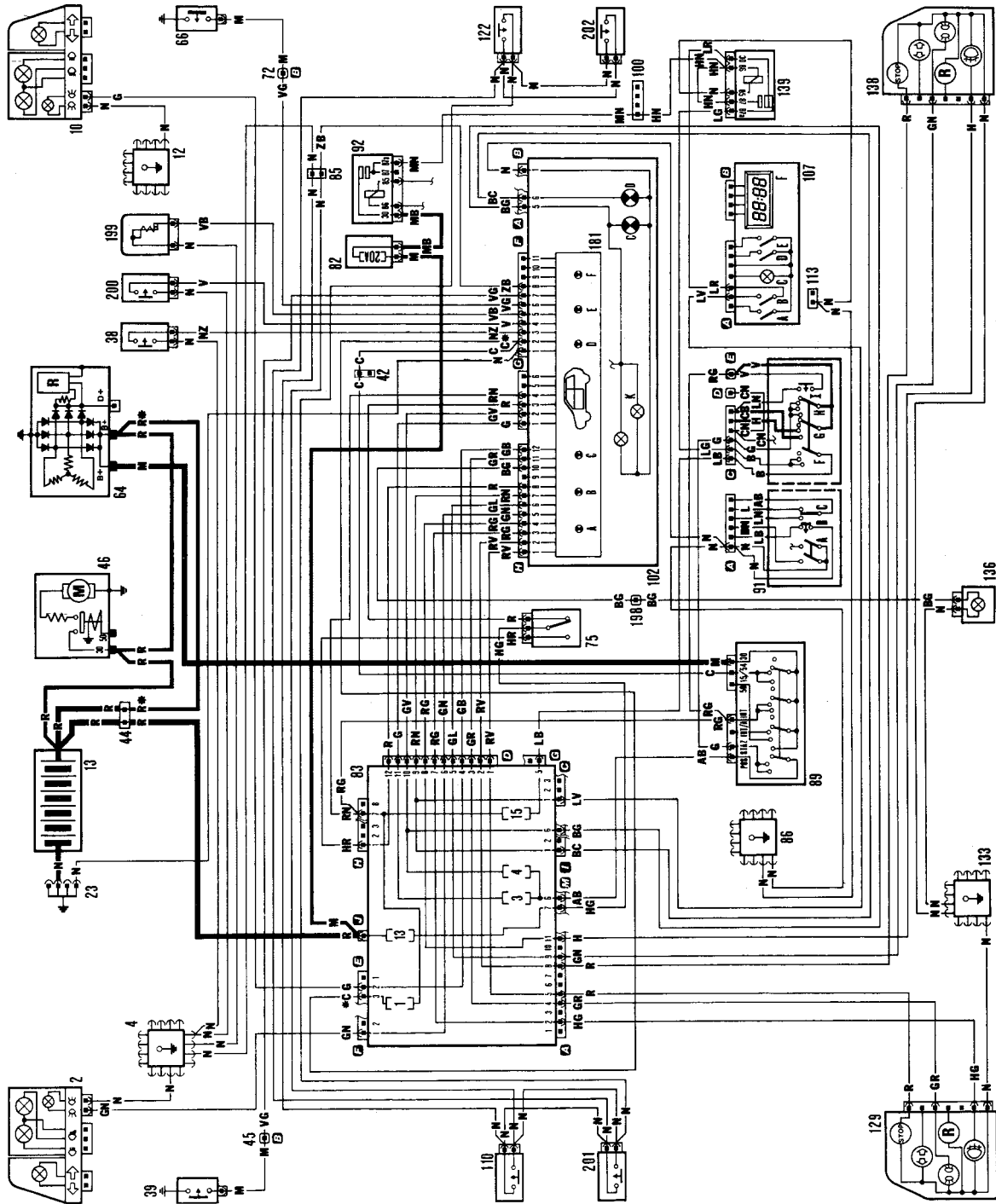


* Only for 1108 SX - 1301 D versions

Wiring diagram 50 - electric windows and central locking (1990-on 5-door models)



Wiring diagram 51 - Antiskid braking system (1372 cc Turbo ie model - where fitted)



Wiring diagram 52 - check panel (1990-on 5-door models (3-door similar))

• Only for 1372 SX i.e. version

This is a guide to getting your vehicle through the MOT test. Obviously it will not be possible to examine the vehicle to the same standard as the professional MOT tester. However, working through the following checks will enable you to identify any problem areas before submitting the vehicle for the test.

Where a testable component is in borderline condition, the tester has discretion in deciding whether to pass or fail it. The basis of such discretion is whether the tester would be happy for a close relative or friend to use the vehicle with the component in that condition. If the vehicle presented is clean and evidently well cared for, the tester may be more inclined to pass a borderline component than if the vehicle is scruffy and apparently neglected.

It has only been possible to summarise the test requirements here, based on the regulations in force at the time of printing. Test standards are becoming increasingly stringent, although there are some exemptions for older vehicles. For full details obtain a copy of the Haynes publication *Pass the MOT!* (available from stockists of Haynes manuals).

An assistant will be needed to help carry out some of these checks.



The checks have been sub-divided into four categories, as follows:

1 Checks carried out **FROM THE DRIVER'S SEAT**

2 Checks carried out **WITH THE VEHICLE ON THE GROUND**

3 Checks carried out **WITH THE VEHICLE RAISED AND THE WHEELS FREE TO TURN**

4 Checks carried out on **YOUR VEHICLE'S EXHAUST EMISSION SYSTEM**

1 Checks carried out **FROM THE DRIVER'S SEAT**

Handbrake

- Test the operation of the handbrake. Excessive travel (too many clicks) indicates incorrect brake or cable adjustment.
- Check that the handbrake cannot be released by tapping the lever sideways. Check the security of the lever mountings.



Footbrake

- Depress the brake pedal and check that it does not creep down to the floor, indicating a master cylinder fault. Release the pedal, wait a few seconds, then depress it again. If the pedal travels nearly to the floor before firm resistance is felt, brake adjustment or repair is necessary. If the pedal feels spongy, there is air in the hydraulic system which must be removed by bleeding.



- Check that the brake pedal is secure and in good condition. Check also for signs of fluid leaks on the pedal, floor or carpets, which would indicate failed seals in the brake master cylinder.
- Check the servo unit (when applicable) by operating the brake pedal several times, then keeping the pedal depressed and starting the engine. As the engine starts, the pedal will move down slightly. If not, the vacuum hose or the servo itself may be faulty.

Steering wheel and column

- Examine the steering wheel for fractures or looseness of the hub, spokes or rim.
- Move the steering wheel from side to side and then up and down. Check that the steering wheel is not loose on the column, indicating wear or a loose retaining nut. Continue moving the steering wheel as before, but also turn it slightly from left to right.
- Check that the steering wheel is not loose on the column, and that there is no abnormal



movement of the steering wheel, indicating wear in the column support bearings or couplings.

Windscreen and mirrors

- The windscreen must be free of cracks or other significant damage within the driver's field of view. (Small stone chips are acceptable.) Rear view mirrors must be secure, intact, and capable of being adjusted.





Seat belts and seats

Note: The following checks are applicable to all seat belts, front and rear.

- Examine the webbing of all the belts (including rear belts if fitted) for cuts, serious fraying or deterioration. Fasten and unfasten each belt to check the buckles. If applicable, check the retracting mechanism. Check the security of all seat belt mountings accessible from inside the vehicle.
- The front seats themselves must be securely attached and the backrests must lock in the upright position.

Doors

- Both front doors must be able to be opened and closed from outside and inside, and must latch securely when closed.

2 Checks carried out WITH THE VEHICLE ON THE GROUND

Vehicle identification

- Number plates must be in good condition, secure and legible, with letters and numbers correctly spaced – spacing at (A) should be twice that at (B).



- The VIN plate and/or homologation plate must be legible.



Electrical equipment

- Switch on the ignition and check the operation of the horn.
- Check the windscreen washers and wipers, examining the wiper blades; renew damaged or perished blades. Also check the operation of the stop-lights.



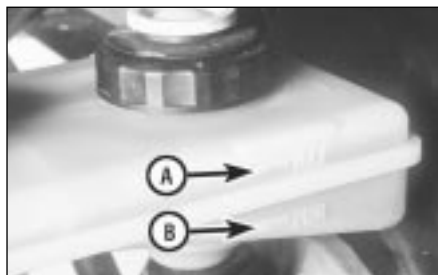
- Check the operation of the sidelights and number plate lights. The lenses and reflectors must be secure, clean and undamaged.
- Check the operation and alignment of the headlights. The headlight reflectors must not be tarnished and the lenses must be undamaged.
- Switch on the ignition and check the operation of the direction indicators (including the instrument panel tell-tale) and the hazard warning lights. Operation of the sidelights and stop-lights must not affect the indicators - if it does, the cause is usually a bad earth at the rear light cluster.
- Check the operation of the rear foglight(s), including the warning light on the instrument panel or in the switch.

Footbrake

- Examine the master cylinder, brake pipes and servo unit for leaks, loose mountings, corrosion or other damage.



- The fluid reservoir must be secure and the fluid level must be between the upper (A) and lower (B) markings.



- Inspect both front brake flexible hoses for cracks or deterioration of the rubber. Turn the steering from lock to lock, and ensure that the hoses do not contact the wheel, tyre, or any part of the steering or suspension mechanism. With the brake pedal firmly depressed, check the hoses for bulges or leaks under pressure.



Steering and suspension

- Have your assistant turn the steering wheel from side to side slightly, up to the point where the steering gear just begins to transmit this movement to the roadwheels. Check for excessive free play between the steering wheel and the steering gear, indicating wear or insecurity of the steering column joints, the column-to-steering gear coupling, or the steering gear itself.
- Have your assistant turn the steering wheel more vigorously in each direction, so that the roadwheels just begin to turn. As this is done, examine all the steering joints, linkages, fittings and attachments. Renew any component that shows signs of wear or damage. On vehicles with power steering, check the security and condition of the steering pump, drivebelt and hoses.
- Check that the vehicle is standing level, and at approximately the correct ride height.

Shock absorbers

- Depress each corner of the vehicle in turn, then release it. The vehicle should rise and then settle in its normal position. If the vehicle continues to rise and fall, the shock absorber is defective. A shock absorber which has seized will also cause the vehicle to fail.



Exhaust system

□ Start the engine. With your assistant holding a rag over the tailpipe, check the entire system for leaks. Repair or renew leaking sections.



3 Checks carried out
**WITH THE VEHICLE RAISED
AND THE WHEELS FREE TO
TURN**

Jack up the front and rear of the vehicle, and securely support it on axle stands. Position the stands clear of the suspension assemblies. Ensure that the wheels are clear of the ground and that the steering can be turned from lock to lock.

Steering mechanism

□ Have your assistant turn the steering from lock to lock. Check that the steering turns smoothly, and that no part of the steering mechanism, including a wheel or tyre, fouls any brake hose or pipe or any part of the body structure.

□ Examine the steering rack rubber gaiters for damage or insecurity of the retaining clips. If power steering is fitted, check for signs of damage or leakage of the fluid hoses, pipes or connections. Also check for excessive stiffness or binding of the steering, a missing split pin or locking device, or severe corrosion of the body structure within 30 cm of any steering component attachment point.



Front and rear suspension and wheel bearings

□ Starting at the front right-hand side, grasp the roadwheel at the 3 o'clock and 9 o'clock positions and shake it vigorously. Check for free play or insecurity at the wheel bearings, suspension balljoints, or suspension mountings, pivots and attachments.

□ Now grasp the wheel at the 12 o'clock and 6 o'clock positions and repeat the previous inspection. Spin the wheel, and check for roughness or tightness of the front wheel bearing.



□ If excess free play is suspected at a component pivot point, this can be confirmed by using a large screwdriver or similar tool and levering between the mounting and the component attachment. This will confirm whether the wear is in the pivot bush, its retaining bolt, or in the mounting itself (the bolt holes can often become elongated).



□ Carry out all the above checks at the other front wheel, and then at both rear wheels.

Springs and shock absorbers

□ Examine the suspension struts (when applicable) for serious fluid leakage, corrosion, or damage to the casing. Also check the security of the mounting points.

□ If coil springs are fitted, check that the spring ends locate in their seats, and that the spring is not corroded, cracked or broken.

□ If leaf springs are fitted, check that all leaves are intact, that the axle is securely attached to each spring, and that there is no deterioration of the spring eye mountings, bushes, and shackles.

□ The same general checks apply to vehicles fitted with other suspension types, such as torsion bars, hydraulic displacer units, etc. Ensure that all mountings and attachments are secure, that there are no signs of excessive wear, corrosion or damage, and (on hydraulic types) that there are no fluid leaks or damaged pipes.

□ Inspect the shock absorbers for signs of serious fluid leakage. Check for wear of the mounting bushes or attachments, or damage to the body of the unit.

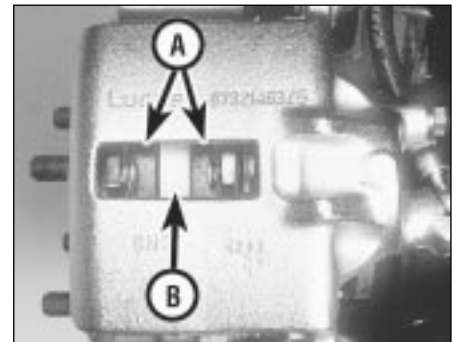
Driveshafts (fwd vehicles only)

□ Rotate each front wheel in turn and inspect the constant velocity joint gaiters for splits or damage. Also check that each driveshaft is straight and undamaged.



Braking system

□ If possible without dismantling, check brake pad wear and disc condition. Ensure that the friction lining material has not worn excessively, (A) and that the discs are not fractured, pitted, scored or badly worn (B).



□ Examine all the rigid brake pipes underneath the vehicle, and the flexible hose(s) at the rear. Look for corrosion, chafing or insecurity of the pipes, and for signs of bulging under pressure, chafing, splits or deterioration of the flexible hoses.

□ Look for signs of fluid leaks at the brake calipers or on the brake backplates. Repair or renew leaking components.

□ Slowly spin each wheel, while your assistant depresses and releases the footbrake. Ensure that each brake is operating and does not bind when the pedal is released.



- Examine the handbrake mechanism, checking for frayed or broken cables, excessive corrosion, or wear or insecurity of the linkage. Check that the mechanism works on each relevant wheel, and releases fully, without binding.
- It is not possible to test brake efficiency without special equipment, but a road test can be carried out later to check that the vehicle pulls up in a straight line.

Fuel and exhaust systems

- Inspect the fuel tank (including the filler cap), fuel pipes, hoses and unions. All components must be secure and free from leaks.
- Examine the exhaust system over its entire length, checking for any damaged, broken or missing mountings, security of the retaining clamps and rust or corrosion.



Wheels and tyres

- Examine the sidewalls and tread area of each tyre in turn. Check for cuts, tears, lumps, bulges, separation of the tread, and exposure of the ply or cord due to wear or damage. Check that the tyre bead is correctly seated on the wheel rim, that the valve is sound and



- properly seated, and that the wheel is not distorted or damaged.
- Check that the tyres are of the correct size for the vehicle, that they are of the same size and type on each axle, and that the pressures are correct.
- Check the tyre tread depth. The legal minimum at the time of writing is 1.6 mm over at least three-quarters of the tread width. Abnormal tread wear may indicate incorrect front wheel alignment.

Body corrosion

- Check the condition of the entire vehicle structure for signs of corrosion in load-bearing areas. (These include chassis box sections, side sills, cross-members, pillars, and all suspension, steering, braking system and seat belt mountings and anchorages.) Any corrosion which has seriously reduced the thickness of a load-bearing area is likely to cause the vehicle to fail. In this case professional repairs are likely to be needed.
- Damage or corrosion which causes sharp or otherwise dangerous edges to be exposed will also cause the vehicle to fail.

4 Checks carried out on YOUR VEHICLE'S EXHAUST EMISSION SYSTEM

Petrol models

- Have the engine at normal operating temperature, and make sure that it is in good tune (ignition system in good order, air filter element clean, etc).
- Before any measurements are carried out, raise the engine speed to around 2500 rpm, and hold it at this speed for 20 seconds. Allow

the engine speed to return to idle, and watch for smoke emissions from the exhaust tailpipe. If the idle speed is obviously much too high, or if dense blue or clearly-visible black smoke comes from the tailpipe for more than 5 seconds, the vehicle will fail. As a rule of thumb, blue smoke signifies oil being burnt (engine wear) while black smoke signifies unburnt fuel (dirty air cleaner element, or other carburettor or fuel system fault).

- An exhaust gas analyser capable of measuring carbon monoxide (CO) and hydrocarbons (HC) is now needed. If such an instrument cannot be hired or borrowed, a local garage may agree to perform the check for a small fee.

CO emissions (mixture)

- At the time of writing, the maximum CO level at idle is 3.5% for vehicles first used after August 1986 and 4.5% for older vehicles. From January 1996 a much tighter limit (around 0.5%) applies to catalyst-equipped vehicles first used from August 1992. If the CO level cannot be reduced far enough to pass the test (and the fuel and ignition systems are otherwise in good condition) then the carburettor is badly worn, or there is some problem in the fuel injection system or catalytic converter (as applicable).

HC emissions

- With the CO emissions within limits, HC emissions must be no more than 1200 ppm (parts per million). If the vehicle fails this test at idle, it can be re-tested at around 2000 rpm; if the HC level is then 1200 ppm or less, this counts as a pass.
- Excessive HC emissions can be caused by oil being burnt, but they are more likely to be due to unburnt fuel.

Diesel models

- The only emission test applicable to Diesel engines is the measuring of exhaust smoke density. The test involves accelerating the engine several times to its maximum unloaded speed.

Note: *It is of the utmost importance that the engine timing belt is in good condition before the test is carried out.*

- Excessive smoke can be caused by a dirty air cleaner element. Otherwise, professional advice may be needed to find the cause.

Introduction

A selection of good tools is a fundamental requirement for anyone contemplating the maintenance and repair of a motor vehicle. For the owner who does not possess any, their purchase will prove a considerable expense, offsetting some of the savings made by doing-it-yourself. However, provided that the tools purchased meet the relevant national safety standards and are of good quality, they will last for many years and prove an extremely worthwhile investment.

To help the average owner to decide which tools are needed to carry out the various tasks detailed in this manual, we have compiled three lists of tools under the following headings: *Maintenance and minor repair*, *Repair and overhaul*, and *Special*. Newcomers to practical mechanics should start off with the *Maintenance and minor repair* tool kit, and confine themselves to the simpler jobs around the vehicle. Then, as confidence and experience grow, more difficult tasks can be undertaken, with extra tools being purchased as, and when, they are needed. In this way, a *Maintenance and minor repair* tool kit can be built up into a *Repair and overhaul* tool kit over a considerable period of time, without any major cash outlays. The experienced do-it-yourselfer will have a tool kit good enough for most repair and overhaul procedures, and will add tools from the *Special* category when it is felt that the expense is justified by the amount of use to which these tools will be put.

Maintenance and minor repair tool kit

The tools given in this list should be considered as a minimum requirement if routine maintenance, servicing and minor repair operations are to be undertaken. We recommend the purchase of combination spanners (ring one end, open-ended the other); although more expensive than open-ended ones, they do give the advantages of both types of spanner.

- Combination spanners: 8, 9, 10, 11, 12, 13, 14, 15, 16, 17, 19, 21, 22, 24 & 26 mm
- Adjustable spanner - 35 mm jaw (approx)
- Set of feeler gauges
- Spark plug spanner (with rubber insert)
- Spark plug gap adjustment tool
- Brake bleed nipple spanner

- Screwdrivers: Flat blade and cross blade - approx 100 mm long x 6 mm dia
- Combination pliers
- Hacksaw (junior)
- Tyre pump
- Tyre pressure gauge
- Oil can
- Oil filter removal tool
- Fine emery cloth
- Wire brush (small)
- Funnel (medium size)

Repair and overhaul tool kit

These tools are virtually essential for anyone undertaking any major repairs to a motor vehicle, and are additional to those given in the *Maintenance and minor repair* list. Included in this list is a comprehensive set of sockets. Although these are expensive, they will be found invaluable as they are so versatile - particularly if various drives are included in the set. We recommend the half-inch square-drive type, as this can be used with most proprietary torque wrenches. If you cannot afford a socket set, even bought piecemeal, then inexpensive tubular box spanners are a useful alternative.

The tools in this list will occasionally need to be supplemented by tools from the *Special* list:

- Sockets (or box spanners) to cover range in previous list
- Reversible ratchet drive (for use with sockets) (see illustration)
- Extension piece, 250 mm (for use with sockets)
- Universal joint (for use with sockets)
- Torque wrench (for use with sockets)
- Self-locking grips
- Ball pein hammer
- Soft-faced mallet (plastic/aluminium or rubber)
- Screwdrivers:
 - Flat blade - long & sturdy, short (chubby), and narrow (electrician's) types
 - Cross blade - Long & sturdy, and short (chubby) types
- Pliers:
 - Long-nosed
 - Side cutters (electrician's)
 - Circlip (internal and external)
- Cold chisel - 25 mm
- Scriber
- Scraper

- Centre-punch
- Pin punch
- Hacksaw
- Brake hose clamp
- Brake bleeding kit
- Selection of twist drills
- Steel rule/straight-edge
- Allen keys
- Selection of files
- Wire brush
- Axle stands
- Jack (strong trolley or hydraulic type)
- Light with extension lead

Special tools

The tools in this list are those which are not used regularly, are expensive to buy, or which need to be used in accordance with their manufacturers' instructions. Unless relatively difficult mechanical jobs are undertaken frequently, it will not be economic to buy many of these tools. Where this is the case, you could consider clubbing together with friends (or joining a motorists' club) to make a joint purchase, or borrowing the tools against a deposit from a local garage or tool hire specialist. It is worth noting that many of the larger DIY superstores now carry a large range of special tools for hire at modest rates.

The following list contains only those tools and instruments freely available to the public, and not those special tools produced by the vehicle manufacturer specifically for its dealer network. You will find occasional references to these manufacturers' special tools in the text of this manual. Generally, an alternative method of doing the job without the vehicle manufacturers' special tool is given. However, sometimes there is no alternative to using them. Where this is the case and the relevant tool cannot be bought or borrowed, you will have to entrust the work to a franchised garage.

- Valve spring compressor (see illustration)
- Valve grinding tool
- Piston ring compressor (see illustration)
- Piston ring removal/installation tool (see illustration)
- Cylinder bore hone (see illustration)
- Balljoint separator
- Coil spring compressors (where applicable)
- Two/three-legged hub and bearing puller (see illustration)

REF•6 Tools and Working Facilities



Sockets and reversible ratchet drive



Valve spring compressor



Piston ring compressor



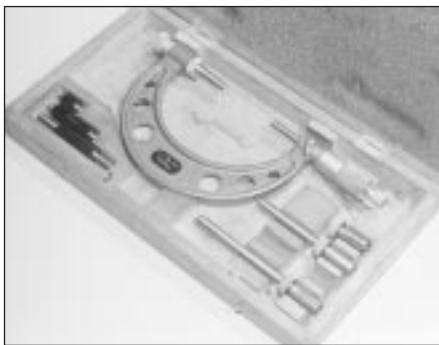
Piston ring removal/installation tool



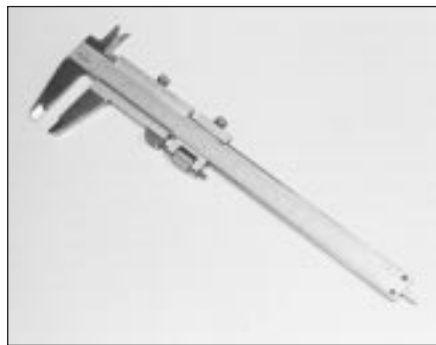
Cylinder bore hone



Three-legged hub and bearing puller



Micrometer set



Vernier calipers



Dial test indicator and magnetic stand



Compression testing gauge



Clutch plate alignment set



Brake shoe steady spring cup removal tool

- Impact screwdriver
- Micrometer and/or vernier calipers (*see illustrations*)
- Dial gauge (*see illustration*)
- Universal electrical multi-meter
- Cylinder compression gauge (*see illustration*)
- Clutch plate alignment set (*see illustration*)
- Brake shoe steady spring cup removal tool (*see illustration*)
- Bush and bearing removal/installation set (*see illustration*)
- Stud extractors (*see illustration*)
- Tap and die set (*see illustration*)
- Lifting tackle
- Trolley jack

Buying tools

For practically all tools, a tool factor is the best source, since he will have a very comprehensive range compared with the average garage or accessory shop. Having said that, accessory shops often offer excellent quality tools at discount prices, so it pays to shop around.

Remember, you don't have to buy the most expensive items on the shelf, but it is always advisable to steer clear of the very cheap tools. There are plenty of good tools around at

reasonable prices, but always aim to purchase items which meet the relevant national safety standards. If in doubt, ask the proprietor or manager of the shop for advice before making a purchase.

Care and maintenance of tools

Having purchased a reasonable tool kit, it is necessary to keep the tools in a clean and serviceable condition. After use, always wipe off any dirt, grease and metal particles using a clean, dry cloth, before putting the tools away. Never leave them lying around after they have been used. A simple tool rack on the garage or workshop wall for items such as screwdrivers and pliers is a good idea. Store all normal spanners and sockets in a metal box. Any measuring instruments, gauges, meters, etc, must be carefully stored where they cannot be damaged or become rusty.

Take a little care when tools are used. Hammer heads inevitably become marked, and screwdrivers lose the keen edge on their blades from time to time. A little timely attention with emery cloth or a file will soon restore items like this to a good serviceable finish.

Working facilities

Not to be forgotten when discussing tools

is the workshop itself. If anything more than routine maintenance is to be carried out, some form of suitable working area becomes essential.

It is appreciated that many an owner-mechanic is forced by circumstances to remove an engine or similar item without the benefit of a garage or workshop. Having done this, any repairs should always be done under the cover of a roof.

Wherever possible, any dismantling should be done on a clean, flat workbench or table at a suitable working height.

Any workbench needs a vice; one with a jaw opening of 100 mm is suitable for most jobs. As mentioned previously, some clean dry storage space is also required for tools, as well as for any lubricants, cleaning fluids, touch-up paints and so on, which become necessary.

Another item which may be required, and which has a much more general usage, is an electric drill with a chuck capacity of at least 8 mm. This, together with a good range of twist drills, is virtually essential for fitting accessories.

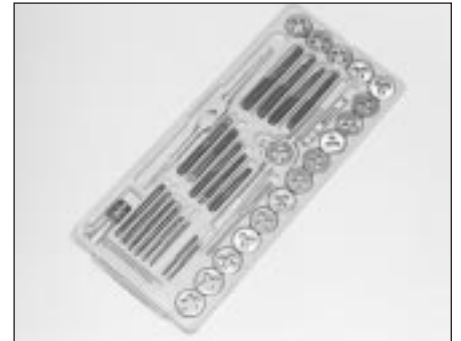
Last, but not least, always keep a supply of old newspapers and clean, lint-free rags available, and try to keep any working area as clean as possible.



Bush and bearing removal/installation set



Stud extractor set



Tap and die set

REF•8 General Repair Procedures

Whenever servicing, repair or overhaul work is carried out on the car or its components, observe the following procedures and instructions. This will assist in carrying out the operation efficiently and to a professional standard of workmanship.

Joint mating faces and gaskets

When separating components at their mating faces, never insert screwdrivers or similar implements into the joint between the faces in order to prise them apart. This can cause severe damage which results in oil leaks, coolant leaks, etc upon reassembly. Separation is usually achieved by tapping along the joint with a soft-faced hammer in order to break the seal. However, note that this method may not be suitable where dowels are used for component location.

Where a gasket is used between the mating faces of two components, a new one must be fitted on reassembly; fit it dry unless otherwise stated in the repair procedure. Make sure that the mating faces are clean and dry, with all traces of old gasket removed. When cleaning a joint face, use a tool which is unlikely to score or damage the face, and remove any burrs or nicks with an oilstone or fine file.

Make sure that tapped holes are cleaned with a pipe cleaner, and keep them free of jointing compound, if this is being used, unless specifically instructed otherwise.

Ensure that all orifices, channels or pipes are clear, and blow through them, preferably using compressed air.

Oil seals

Oil seals can be removed by levering them out with a wide flat-bladed screwdriver or similar implement. Alternatively, a number of self-tapping screws may be screwed into the seal, and these used as a purchase for pliers or some similar device in order to pull the seal free.

Whenever an oil seal is removed from its working location, either individually or as part of an assembly, it should be renewed.

The very fine sealing lip of the seal is easily damaged, and will not seal if the surface it contacts is not completely clean and free from scratches, nicks or grooves. If the original sealing surface of the component cannot be restored, and the manufacturer has not made provision for slight relocation of the seal relative to the sealing surface, the component should be renewed.

Protect the lips of the seal from any surface which may damage them in the course of fitting. Use tape or a conical sleeve where possible. Lubricate the seal lips with oil before fitting and, on dual-lipped seals, fill the space between the lips with grease.

Unless otherwise stated, oil seals must be fitted with their sealing lips toward the lubricant to be sealed.

Use a tubular drift or block of wood of the appropriate size to install the seal and, if the seal housing is shouldered, drive the seal down to the shoulder. If the seal housing is

unshouldered, the seal should be fitted with its face flush with the housing top face (unless otherwise instructed).

Screw threads and fastenings

Seized nuts, bolts and screws are quite a common occurrence where corrosion has set in, and the use of penetrating oil or releasing fluid will often overcome this problem if the offending item is soaked for a while before attempting to release it. The use of an impact driver may also provide a means of releasing such stubborn fastening devices, when used in conjunction with the appropriate screwdriver bit or socket. If none of these methods works, it may be necessary to resort to the careful application of heat, or the use of a hacksaw or nut splitter device.

Studs are usually removed by locking two nuts together on the threaded part, and then using a spanner on the lower nut to unscrew the stud. Studs or bolts which have broken off below the surface of the component in which they are mounted can sometimes be removed using a stud extractor. Always ensure that a blind tapped hole is completely free from oil, grease, water or other fluid before installing the bolt or stud. Failure to do this could cause the housing to crack due to the hydraulic action of the bolt or stud as it is screwed in.

When tightening a castellated nut to accept a split pin, tighten the nut to the specified torque, where applicable, and then tighten further to the next split pin hole. Never slacken the nut to align the split pin hole, unless stated in the repair procedure.

When checking or retightening a nut or bolt to a specified torque setting, slacken the nut or bolt by a quarter of a turn, and then retighten to the specified setting. However, this should not be attempted where angular tightening has been used.

For some screw fastenings, notably cylinder head bolts or nuts, torque wrench settings are no longer specified for the latter stages of tightening, "angle-tightening" being called up instead. Typically, a fairly low torque wrench setting will be applied to the bolts/nuts in the correct sequence, followed by one or more stages of tightening through specified angles.

Locknuts, locktabs and washers

Any fastening which will rotate against a component or housing during tightening should always have a washer between it and the relevant component or housing.

Spring or split washers should always be renewed when they are used to lock a critical component such as a big-end bearing retaining bolt or nut. Locktabs which are folded over to retain a nut or bolt should always be renewed.

Self-locking nuts can be re-used in non-critical areas, providing resistance can be felt when the locking portion passes over the bolt or stud thread. However, it should be noted that self-locking stiffnuts tend to lose their

effectiveness after long periods of use, and should then be renewed as a matter of course.

Split pins must always be replaced with new ones of the correct size for the hole.

When thread-locking compound is found on the threads of a fastener which is to be re-used, it should be cleaned off with a wire brush and solvent, and fresh compound applied on reassembly.

Special tools

Some repair procedures in this manual entail the use of special tools such as a press, two or three-legged pullers, spring compressors, etc. Wherever possible, suitable readily-available alternatives to the manufacturer's special tools are described, and are shown in use. In some instances, where no alternative is possible, it has been necessary to resort to the use of a manufacturer's tool, and this has been done for reasons of safety as well as the efficient completion of the repair operation. Unless you are highly-skilled and have a thorough understanding of the procedures described, never attempt to bypass the use of any special tool when the procedure described specifies its use. Not only is there a very great risk of personal injury, but expensive damage could be caused to the components involved.

Environmental considerations

When disposing of used engine oil, brake fluid, antifreeze, etc, give due consideration to any detrimental environmental effects. Do not, for instance, pour any of the above liquids down drains into the general sewage system, or onto the ground to soak away. Many local council refuse tips provide a facility for waste oil disposal, as do some garages. If none of these facilities are available, consult your local Environmental Health Department, or the National Rivers Authority, for further advice.

With the universal tightening-up of legislation regarding the emission of environmentally-harmful substances from motor vehicles, most vehicles have tamperproof devices fitted to the main adjustment points of the fuel system. These devices are primarily designed to prevent unqualified persons from adjusting the fuel/air mixture, with the chance of a consequent increase in toxic emissions. If such devices are found during servicing or overhaul, they should, wherever possible, be renewed or refitted in accordance with the manufacturer's requirements or current legislation.



OIL BANK LINE
0800 66 33 66

Note: It is antisocial and illegal to dump oil down the drain. To find the location of your local oil recycling bank, call this number free.

Introduction

The vehicle owner who does his or her own maintenance according to the recommended schedules should not have to use this section of the manual very often. Modern component reliability is such that, provided those items subject to wear or deterioration are inspected or renewed at the specified intervals, sudden failure is comparatively rare. Faults do not usually just happen as a result of sudden failure, but develop over a period of time. Major mechanical failures in particular are usually preceded by characteristic symptoms over hundreds or even thousands of miles. Those components which do occasionally fail without warning are often small and easily carried in the vehicle.

With any fault finding, the first step is to decide where to begin investigations. Sometimes this is obvious, but on other occasions a little detective work will be necessary. The owner who makes half a dozen haphazard adjustments or replacements may be successful in curing a fault (or its symptoms), but he will be none the wiser if the fault recurs and he may well have spent more time and money than was necessary. A calm and logical approach will be found to be more satisfactory in the long run. Always take into account any warning signs or abnormalities that may have been noticed in the period preceding the fault – power loss, high or low gauge readings, unusual noises or smells, etc – and remember that failure of components such as fuses or spark plugs may only be pointers to some underlying fault.

The pages which follow here are intended to help in cases of failure to start or breakdown on the road. There is also a Fault Diagnosis Section at the end of each Chapter which should be consulted if the preliminary checks prove unfruitful. Whatever the fault, certain basic principles apply. These are as follows:

Verify the fault. This is simply a matter of being sure that you know what the symptoms are before starting work. This is particularly important if you are investigating a fault for someone else who may not have described it very accurately.

Don't overlook the obvious. For example, if the vehicle won't start, is there petrol in the tank? (Don't take anyone else's word on this particular point, and don't trust the fuel gauge either!) If an electrical fault is indicated, look for loose or broken wires before digging out the test gear.

Cure the disease, not the symptom. Substituting a flat battery with a fully charged one will get you off the hard shoulder, but if the underlying cause is not attended to, the new battery will go the same way. Similarly, changing oil-fouled spark plugs for a new set will get you moving again, but remember that the reason for the fouling (if it wasn't simply an incorrect grade of plug) will have to be established and corrected.

Don't take anything for granted. Particularly, don't forget that a 'new' component may itself be defective (especially if it's been rattling round in the boot for months), and don't leave components out of a fault diagnosis sequence just because they are new or recently fitted. When you do finally diagnose a difficult fault, you'll probably realise that all the evidence was there from the start.

Electrical faults

Electrical faults can be more puzzling than straightforward mechanical failures, but they are no less susceptible to logical analysis if the basic principles of operation are understood. Vehicle electrical wiring exists in extremely unfavourable conditions – heat, vibration and chemical attack and the first things to look for are loose or corroded connections and broken or chafed wires,

especially where the wires pass through holes in the bodywork or are subject to vibration.

All metal-bodied vehicles in current production have one pole of the battery 'earthed', ie connected to the vehicle bodywork, and in nearly all modern vehicles it is the negative (-) terminal. The various electrical components – motors, bulb holders, etc – are also connected to earth, either by means of a lead or directly by their mountings. Electric current flows through the component and then back to the battery via the bodywork. If the component mounting is loose or corroded, or if a good path back to the battery is not available, the circuit will be incomplete and malfunction will result. The engine and/or gearbox are also earthed by means of flexible metal straps to the body or subframe; if these straps are loose or missing, starter motor, generator and ignition trouble may result.

Assuming the earth return to be satisfactory, electrical faults will be due either to component malfunction or to defects in the current supply. Individual components are dealt with in Chapter 9. If supply wires are broken or cracked internally this results in an open-circuit, and the easiest way to check for this is to bypass the suspect wire temporarily with a length of wire having a crocodile clip or suitable connector at each end. Alternatively, a 12V test lamp can be used to verify the presence of supply voltage at various points along the wire and the break can be thus isolated.

If a bare portion of a live wire touches the bodywork or other earthed metal part, the electricity will take the low-resistance path thus formed back to the battery: this is known as a short-circuit. Hopefully a short-circuit will blow a fuse, but otherwise it may cause burning of the insulation (and possibly further short-circuits) or even a fire. This is why it is inadvisable to bypass persistently blowing fuses with silver foil or wire.

Spares and tool kit

Most vehicles are supplied only with sufficient tools for wheel changing; the *Maintenance and minor repair* tool kit detailed in *Tools and working facilities*, with the addition of a hammer, is probably sufficient for those repairs that most motorists would consider attempting at the roadside. In addition a few items which can be fitted without too much trouble in the event of a breakdown should be carried. Experience and available space will modify the list below, but the following may save having to call on professional assistance:

- Spark plugs, clean and correctly gapped
- HT lead and plug cap – long enough to reach the plug furthest from the distributor
- Distributor rotor, condenser and contact breaker points (where applicable)

- Drivebelt(s) — emergency type may suffice
- Spare fuses
- Set of principal light bulbs
- Tin of radiator sealer and hose bandage
- Exhaust bandage
- Roll of insulating tape
- Length of soft iron wire
- Length of electrical flex
- Torch or inspection lamp (can double as test lamp)
- Battery jump leads
- Tow-rope
- Ignition waterproofing aerosol
- Litre of engine oil
- Sealed can of hydraulic fluid
- Emergency windscreen
- Wormdrive clips
- Tube of filler paste

If spare fuel is carried, a can designed for the purpose should be used to minimise risks of leakage and collision damage. A first aid kit and a warning triangle, whilst not at present compulsory in the UK, are obviously sensible items to carry in addition to the above. When touring abroad it may be advisable to carry additional spares which, even if you cannot fit them yourself, could save having to wait while parts are obtained. The items below may be worth considering:

- Clutch and throttle cables
- Cylinder head gasket
- Alternator brushes
- Tyre valve core

One of the motoring organisations will be able to advise on availability of fuel, etc, in foreign countries.

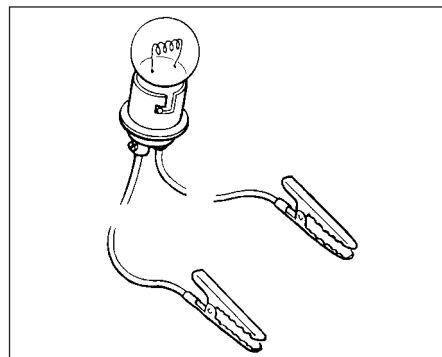
Engine will not start

Engine fails to turn when starter operated

- Flat battery (recharge use jump leads or push start)
- Battery terminals loose or corroded
- Battery earth to body defective
- Engine earth strap loose or broken
- Starter motor (or solenoid) wiring loose or broken
- Ignition/starter switch faulty
- Major mechanical failure (seizure)
- Starter or solenoid internal fault (see Chapter 12)

Starter motor turns engine slowly

- Partially discharged battery (recharge, use jump leads, or push start)
- Battery terminals loose or corroded
- Battery earth to body defective
- Engine earth strap loose



A simple test lamp is useful for checking electrical faults

- Starter motor (or solenoid) wiring loose
- Starter motor internal fault (see Chapter 9)

Starter motor spins without turning engine

- Flywheel gear teeth damaged or worn
- Starter motor mounting bolts loose

Engine turns normally but fails to start

- Damp or dirty HT leads and distributor cap (crank engine and check for spark)
- No fuel in tank (check for delivery at carburettor)

- Excessive choke (hot engine) or insufficient choke (cold engine)
- Fouled or incorrectly gapped spark plugs (remove, clean and regap)
- Other ignition system fault (see Chapter 4)
- Other fuel system fault (see Chapter 3)
- Poor compression (see Chapter 1)
- Major mechanical failure (eg camshaft drive)

Engine fires but will not run

- Insufficient choke (cold engine)
- Air leaks at carburettor or inlet manifold
- Fuel starvation (see Chapter 3)
- Ignition fault (see Chapter 4)



Carrying a few spares may save you a long walk!

Engine cuts out and will not restart

Engine cuts out suddenly – ignition fault

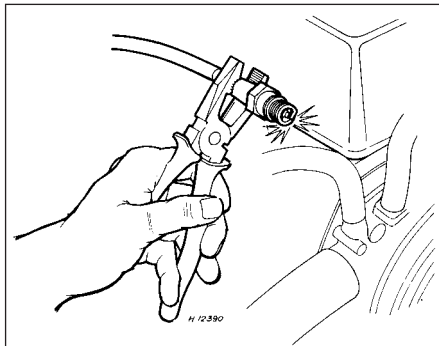
- Loose or disconnected LT wires
- Wet HT leads or distributor cap (after traversing water splash)
- Coil failure (check for spark)
- Other ignition fault (see Chapter 4)

Engine misfires before cutting out – fuel fault

- Fuel tank empty
- Fuel pump defective or filter blocked (check for delivery)
- Fuel tank filler vent blocked (suction will be evident on releasing cap)
- Carburettor needle valve sticking
- Carburettor jets blocked (fuel contaminated)
- Other fuel system fault (see Chapter 3)

Engine cuts out – other causes

- Serious overheating
- Major mechanical failure (eg camshaft drive)



Crank engine and check for spark. Note use of insulated tool

Engine overheats

Ignition (no-charge) warning light illuminated

- Slack or broken drivebelt — retension or renew (Chapter 9)

Ignition warning light not illuminated

- Coolant loss due to internal or external leakage (see Chapter 2)
- Thermostat defective
- Low oil level
- Brakes binding
- Radiator clogged externally or internally
- Electric cooling fan not operating correctly
- Engine waterways clogged
- Ignition timing incorrect or automatic advance malfunctioning
- Mixture too weak

Note: Do not add cold water to an overheated engine or damage may result

Low engine oil pressure

Note: Low oil pressure in a high-mileage engine at tickover is not necessarily a cause for concern. Sudden pressure loss at speed is far more significant. In any event check the gauge or warning light sender before condemning the engine.

Gauge reads low or warning light illuminated with engine running

- Oil level low or incorrect grade
- Defective gauge or sender unit

- Wire to sender unit earthed
- Engine overheating
- Oil filter clogged or bypass valve defective
- Oil pressure relief valve defective
- Oil pick-up strainer clogged
- Oil pump worn or mountings loose
- Worn main or big-end bearings

Engine noises

Pre-ignition (pinking) on acceleration

- Incorrect grade of fuel
- Ignition timing incorrect
- Distributor faulty or worn
- Worn or maladjusted carburettor
- Excessive carbon build-up in engine

Whistling or wheezing noises

- Leaking vacuum hose
- Leaking carburettor or manifold gasket
- Blowing head gasket

Tapping or rattling

- Incorrect valve clearances (where applicable)
- Worn valve gear
- Worn timing chain or belt
- Broken piston ring (ticking noise)

Knocking or thumping

- Unintentional mechanical contact (eg fan blades)
- Worn drivebelt
- Peripheral component fault (generator, water pump, etc)
- Worn big-end bearings (regular heavy knocking, perhaps less under load)
- Worn main bearings (rumbling and knocking, perhaps worsening under load)
- Piston slap (most noticeable when cold)

Buying spare parts

Spare parts are available from many sources, for example, FIAT garages, other garages and accessory shops, and motor factors. Our advice regarding spare parts is as follows:

Officially appointed FIAT garages - This is the best source of parts which are peculiar to your car and otherwise not generally available (eg complete cylinder heads, internal gearbox components, badges, interior trim etc). It is also the only place at which you should buy parts if your vehicle is still under warranty; non-FIAT components may invalidate the warranty. To be sure of obtaining the correct parts it will always be necessary to give the partsman your car's engine number, chassis number and number for spares, and if possible, to take the old part along for positive identification. Many parts are available under a factory exchange scheme - any parts returned should always be clean. It obviously makes good sense to go straight to the specialists on your car for this type of part for they are best equipped to supply you. They will also be able to provide their own FIAT

service manual for your car should you require one.

Other garages and accessory shops - These are often very good places to buy material and components needed for the maintenance of your car (eg oil filters, spark plugs, bulbs, drivebelts, oils and grease, touch-up paint, filler paste etc). They also sell accessories, usually have convenient opening hours, charge lower prices and can often be found not far from home.

Motor factors - Good factors stock all of the more important components which wear out relatively quickly (eg clutch components, pistons, valves, exhaust systems, brake pipes/seals/shoes and pads etc). Motor factors will often provide new or reconditioned components on a part exchange basis - this can save a considerable amount of money.

Vehicle identification numbers

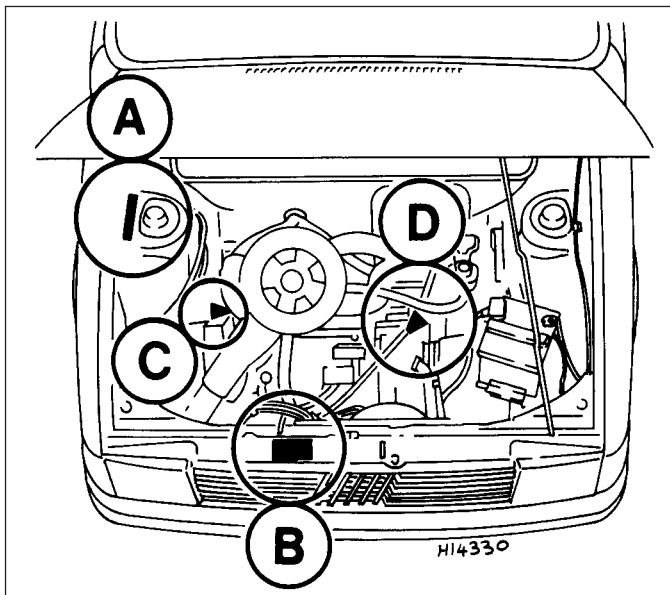
Modifications are a continuing and unpublicised process in vehicle manufacture quite apart from major model changes. Spare

parts manuals and lists are compiled upon a numerical basis, the individual vehicle numbers being essential to correct identification of the component required.

The *chassis type and number plate* is located on the wing valance under the bonnet. The *identification data plate* is located on the radiator top rail. The *engine type and number* is stamped on the cylinder block. The *paintwork colour code* is given on a label stuck to the inner surface of the tailgate.

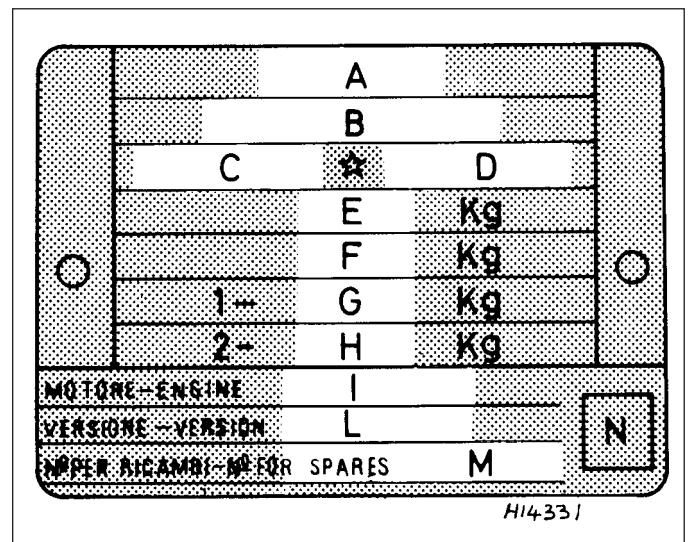


Engine number on 1116 cc engine



Location of under-bonnet identification numbers and plates

- A Chassis type and number
- B Manufacturer's plate
- C Engine number (903 cc)
- D Engine number (1116 cc and 1301 cc)



Manufacturer's plate legend

- A Name of manufacturer
- B Approval number
- C Vehicle identification number
- D Chassis serial number
- E Maximum laden weight
- F Maximum laden weight (vehicle plus trailer)
- G Maximum front axle weight
- H Maximum rear axle weight
- I Engine type
- L Body type
- M Spares reference
- N Diesel models only (smoke coefficient)

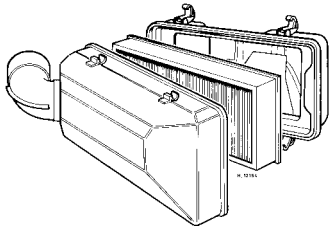
A

ABS (Anti-lock brake system) A system, usually electronically controlled, that senses incipient wheel lockup during braking and relieves hydraulic pressure at wheels that are about to skid.

Air bag An inflatable bag hidden in the steering wheel (driver's side) or the dash or glovebox (passenger side). In a head-on collision, the bags inflate, preventing the driver and front passenger from being thrown forward into the steering wheel or windshield.

Air cleaner A metal or plastic housing, containing a filter element, which removes dust and dirt from the air being drawn into the engine.

Air filter element The actual filter in an air cleaner system, usually manufactured from pleated paper and requiring renewal at regular intervals.



Air filter

Allen key A hexagonal wrench which fits into a recessed hexagonal hole.

Alligator clip A long-nosed spring-loaded metal clip with meshing teeth. Used to make temporary electrical connections.

Alternator A component in the electrical system which converts mechanical energy from a drivebelt into electrical energy to charge the battery and to operate the starting system, ignition system and electrical accessories.

Ampere (amp) A unit of measurement for the flow of electric current. One amp is the amount of current produced by one volt acting through a resistance of one ohm.

Anaerobic sealer A substance used to prevent bolts and screws from loosening. Anaerobic means that it does not require oxygen for activation. The Loctite brand is widely used.

Antifreeze A substance (usually ethylene glycol) mixed with water, and added to a vehicle's cooling system, to prevent freezing of the coolant in winter. Antifreeze also contains chemicals to inhibit corrosion and the formation of rust and other deposits that would tend to clog the radiator and coolant passages and reduce cooling efficiency.

Anti-seize compound A coating that reduces the risk of seizing on fasteners that are subjected to high temperatures, such as exhaust manifold bolts and nuts.

Asbestos A natural fibrous mineral with great heat resistance, commonly used in the composition of brake friction materials.

Asbestos is a health hazard and the dust created by brake systems should never be inhaled or ingested.

Axle A shaft on which a wheel revolves, or which revolves with a wheel. Also, a solid beam that connects the two wheels at one end of the vehicle. An axle which also transmits power to the wheels is known as a live axle.

Axleshaft A single rotating shaft, on either side of the differential, which delivers power from the final drive assembly to the drive wheels. Also called a driveshaft or a halfshaft.

B

Ball bearing An anti-friction bearing consisting of a hardened inner and outer race with hardened steel balls between two races.

Bearing The curved surface on a shaft or in a bore, or the part assembled into either, that permits relative motion between them with minimum wear and friction.

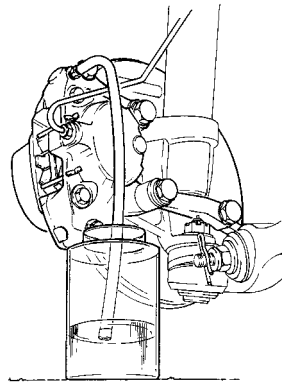


Bearing

Big-end bearing The bearing in the end of the connecting rod that's attached to the crankshaft.

Bleed nipple A valve on a brake wheel cylinder, caliper or other hydraulic component that is opened to purge the hydraulic system of air. Also called a bleed screw.

Brake bleeding Procedure for removing air from lines of a hydraulic brake system.



Brake bleeding

Brake disc The component of a disc brake that rotates with the wheels.

Brake drum The component of a drum brake that rotates with the wheels.

Brake linings The friction material which contacts the brake disc or drum to retard the vehicle's speed. The linings are bonded or riveted to the brake pads or shoes.

Brake pads The replaceable friction pads that pinch the brake disc when the brakes are applied. Brake pads consist of a friction material bonded or riveted to a rigid backing plate.

Brake shoe The crescent-shaped carrier to which the brake linings are mounted and which forces the lining against the rotating drum during braking.

Braking systems For more information on braking systems, consult the *Haynes Automotive Brake Manual*.

Breaker bar A long socket wrench handle providing greater leverage.

Bulkhead The insulated partition between the engine and the passenger compartment.

C

Caliper The non-rotating part of a disc-brake assembly that straddles the disc and carries the brake pads. The caliper also contains the hydraulic components that cause the pads to pinch the disc when the brakes are applied. A caliper is also a measuring tool that can be set to measure inside or outside dimensions of an object.

Camshaft A rotating shaft on which a series of cam lobes operate the valve mechanisms. The camshaft may be driven by gears, by sprockets and chain or by sprockets and a belt.

Canister A container in an evaporative emission control system; contains activated charcoal granules to trap vapours from the fuel system.



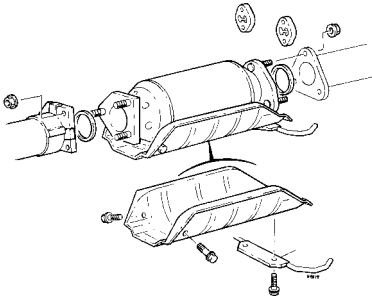
Canister

Carburettor A device which mixes fuel with air in the proper proportions to provide a desired power output from a spark ignition internal combustion engine.

Castellated Resembling the parapets along the top of a castle wall. For example, a castellated balljoint stud nut.

Castor In wheel alignment, the backward or forward tilt of the steering axis. Castor is positive when the steering axis is inclined rearward at the top.

Catalytic converter A silencer-like device in the exhaust system which converts certain pollutants in the exhaust gases into less harmful substances.



Catalytic converter

Circlip A ring-shaped clip used to prevent endwise movement of cylindrical parts and shafts. An internal circlip is installed in a groove in a housing; an external circlip fits into a groove on the outside of a cylindrical piece such as a shaft.

Clearance The amount of space between two parts. For example, between a piston and a cylinder, between a bearing and a journal, etc.

Coil spring A spiral of elastic steel found in various sizes throughout a vehicle, for example as a springing medium in the suspension and in the valve train.

Compression Reduction in volume, and increase in pressure and temperature, of a gas, caused by squeezing it into a smaller space.

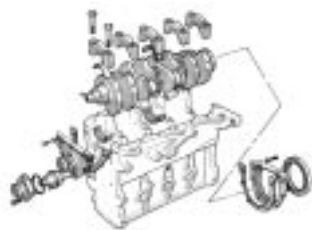
Compression ratio The relationship between cylinder volume when the piston is at top dead centre and cylinder volume when the piston is at bottom dead centre.

Constant velocity (CV) joint A type of universal joint that cancels out vibrations caused by driving power being transmitted through an angle.

Core plug A disc or cup-shaped metal device inserted in a hole in a casting through which core was removed when the casting was formed. Also known as a freeze plug or expansion plug.

Crankcase The lower part of the engine block in which the crankshaft rotates.

Crankshaft The main rotating member, or shaft, running the length of the crankcase, with offset "throws" to which the connecting rods are attached.



Crankshaft assembly

Crocodile clip See Alligator clip

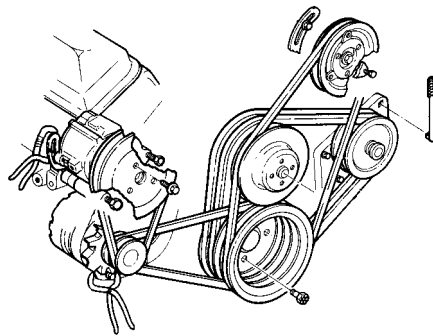
D

Diagnostic code Code numbers obtained by accessing the diagnostic mode of an engine management computer. This code can be used to determine the area in the system where a malfunction may be located.

Disc brake A brake design incorporating a rotating disc onto which brake pads are squeezed. The resulting friction converts the energy of a moving vehicle into heat.

Double-overhead cam (DOHC) An engine that uses two overhead camshafts, usually one for the intake valves and one for the exhaust valves.

Drivebelt(s) The belt(s) used to drive accessories such as the alternator, water pump, power steering pump, air conditioning compressor, etc. off the crankshaft pulley.



Accessory drivebelts

Driveshaft Any shaft used to transmit motion. Commonly used when referring to the axleshafts on a front wheel drive vehicle.

Drum brake A type of brake using a drum-shaped metal cylinder attached to the inner surface of the wheel. When the brake pedal is pressed, curved brake shoes with friction linings press against the inside of the drum to slow or stop the vehicle.

E

EGR valve A valve used to introduce exhaust gases into the intake air stream.

Electronic control unit (ECU) A computer which controls (for instance) ignition and fuel injection systems, or an anti-lock braking system. For more information refer to the *Haynes Automotive Electrical and Electronic Systems Manual*.

Electronic Fuel Injection (EFI) A computer controlled fuel system that distributes fuel through an injector located in each intake port of the engine.

Emergency brake A braking system, independent of the main hydraulic system, that can be used to slow or stop the vehicle if the primary brakes fail, or to hold the vehicle stationary even though the brake pedal isn't depressed. It usually consists of a hand lever that actuates either front or rear brakes mechanically through a series of cables and linkages. Also known as a handbrake or parking brake.

Endfloat The amount of lengthwise movement between two parts. As applied to a crankshaft, the distance that the crankshaft can move forward and back in the cylinder block.

Engine management system (EMS) A computer controlled system which manages the fuel injection and the ignition systems in an integrated fashion.

Exhaust manifold A part with several passages through which exhaust gases leave the engine combustion chambers and enter the exhaust pipe.

F

Fan clutch A viscous (fluid) drive coupling device which permits variable engine fan speeds in relation to engine speeds.

Feeler blade A thin strip or blade of hardened steel, ground to an exact thickness, used to check or measure clearances between parts.



Feeler blade

Firing order The order in which the engine cylinders fire, or deliver their power strokes, beginning with the number one cylinder.

Flywheel A heavy spinning wheel in which energy is absorbed and stored by means of momentum. On cars, the flywheel is attached to the crankshaft to smooth out firing impulses.

Free play The amount of travel before any action takes place. The "looseness" in a linkage, or an assembly of parts, between the initial application of force and actual movement. For example, the distance the brake pedal moves before the pistons in the master cylinder are actuated.

Fuse An electrical device which protects a circuit against accidental overload. The typical fuse contains a soft piece of metal which is calibrated to melt at a predetermined current flow (expressed as amps) and break the circuit.

Fusible link A circuit protection device consisting of a conductor surrounded by heat-resistant insulation. The conductor is smaller than the wire it protects, so it acts as the weakest link in the circuit. Unlike a blown fuse, a failed fusible link must frequently be cut from the wire for replacement.

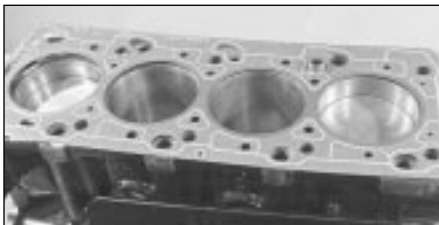
G

Gap The distance the spark must travel in jumping from the centre electrode to the side electrode in a spark plug. Also refers to the spacing between the points in a contact breaker assembly in a conventional points-type ignition, or to the distance between the reluctor or rotor and the pickup coil in an electronic ignition.



Adjusting spark plug gap

Gasket Any thin, soft material - usually cork, cardboard, asbestos or soft metal - installed between two metal surfaces to ensure a good seal. For instance, the cylinder head gasket seals the joint between the block and the cylinder head.



Gasket

Gauge An instrument panel display used to monitor engine conditions. A gauge with a movable pointer on a dial or a fixed scale is an analogue gauge. A gauge with a numerical readout is called a digital gauge.

H

Halfshaft A rotating shaft that transmits power from the final drive unit to a drive wheel, usually when referring to a live rear axle.

Harmonic balancer A device designed to reduce torsion or twisting vibration in the crankshaft. May be incorporated in the crankshaft pulley. Also known as a vibration damper.

Hone An abrasive tool for correcting small irregularities or differences in diameter in an engine cylinder, brake cylinder, etc.

Hydraulic tappet A tappet that utilises hydraulic pressure from the engine's lubrication system to maintain zero clearance (constant contact with both camshaft and valve stem). Automatically adjusts to variation in valve stem length. Hydraulic tappets also reduce valve noise.

I

Ignition timing The moment at which the spark plug fires, usually expressed in the number of crankshaft degrees before the piston reaches the top of its stroke.

Inlet manifold A tube or housing with passages through which flows the air-fuel mixture (carburettor vehicles and vehicles with throttle body injection) or air only (port fuel-injected vehicles) to the port openings in the cylinder head.

J

Jump start Starting the engine of a vehicle with a discharged or weak battery by attaching jump leads from the weak battery to a charged or helper battery.

L

Load Sensing Proportioning Valve (LSPV) A brake hydraulic system control valve that works like a proportioning valve, but also takes into consideration the amount of weight carried by the rear axle.

Locknut A nut used to lock an adjustment nut, or other threaded component, in place. For example, a locknut is employed to keep the adjusting nut on the rocker arm in position.

Lockwasher A form of washer designed to prevent an attaching nut from working loose.

M

MacPherson strut A type of front suspension system devised by Earle MacPherson at Ford of England. In its original form, a simple lateral link with the anti-roll bar creates the lower control arm. A long strut - an integral coil spring and shock absorber - is mounted between the body and the steering knuckle. Many modern so-called MacPherson strut systems use a conventional lower A-arm and don't rely on the anti-roll bar for location.

Multimeter An electrical test instrument with the capability to measure voltage, current and resistance.

N

NOx Oxides of Nitrogen. A common toxic pollutant emitted by petrol and diesel engines at higher temperatures.

O

Ohm The unit of electrical resistance. One volt applied to a resistance of one ohm will produce a current of one amp.

Ohmmeter An instrument for measuring electrical resistance.

O-ring A type of sealing ring made of a special rubber-like material: in use, the O-ring is compressed into a groove to provide the sealing action.

Overhead cam (ohc) engine An engine with the camshaft(s) located on top of the cylinder head(s).

Overhead valve (ohv) engine An engine with the valves located in the cylinder head, but with the camshaft located in the engine block.

Oxygen sensor A device installed in the engine exhaust manifold, which senses the oxygen content in the exhaust and converts this information into an electric current. Also called a Lambda sensor.

P

Phillips screw A type of screw head having a cross instead of a slot for a corresponding type of screwdriver.

Plastigage A thin strip of plastic thread, available in different sizes, used for measuring clearances. For example, a strip of Plastigage is laid across a bearing journal. The parts are assembled and dismantled; the width of the crushed strip indicates the clearance between journal and bearing.



Plastigage

Propeller shaft The long hollow tube with universal joints at both ends that carries power from the transmission to the differential on front-engined rear wheel drive vehicles.

Proportioning valve A hydraulic control valve which limits the amount of pressure to the rear brakes during panic stops to prevent wheel lock-up.

R

Rack-and-pinion steering A steering system with a pinion gear on the end of the steering shaft that mates with a rack (think of a geared wheel opened up and laid flat). When the steering wheel is turned, the pinion turns, moving the rack to the left or right. This movement is transmitted through the track rods to the steering arms at the wheels.

Radiator A liquid-to-air heat transfer device designed to reduce the temperature of the coolant in an internal combustion engine cooling system.

Refrigerant Any substance used as a heat transfer agent in an air-conditioning system. R-12 has been the principle refrigerant for many years; recently, however, manufacturers have begun using R-134a, a non-CFC substance that is considered less harmful to the ozone in the upper atmosphere.

Rocker arm A lever arm that rocks on a shaft or pivots on a stud. In an overhead valve engine, the rocker arm converts the upward movement of the pushrod into a downward movement to open a valve.

Rotor In a distributor, the rotating device inside the cap that connects the centre electrode and the outer terminals as it turns, distributing the high voltage from the coil secondary winding to the proper spark plug. Also, that part of an alternator which rotates inside the stator. Also, the rotating assembly of a turbocharger, including the compressor wheel, shaft and turbine wheel.

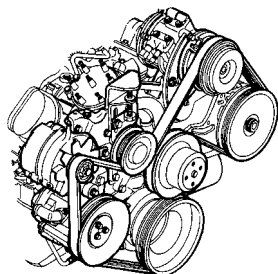
Runout The amount of wobble (in-and-out movement) of a gear or wheel as it's rotated. The amount a shaft rotates "out-of-true." The out-of-round condition of a rotating part.

S

Sealant A liquid or paste used to prevent leakage at a joint. Sometimes used in conjunction with a gasket.

Sealed beam lamp An older headlight design which integrates the reflector, lens and filaments into a hermetically-sealed one-piece unit. When a filament burns out or the lens cracks, the entire unit is simply replaced.

Serpentine drivebelt A single, long, wide accessory drivebelt that's used on some newer vehicles to drive all the accessories, instead of a series of smaller, shorter belts. Serpentine drivebelts are usually tensioned by an automatic tensioner.



Serpentine drivebelt

Shim Thin spacer, commonly used to adjust the clearance or relative positions between two parts. For example, shims inserted into or under bucket tappets control valve clearances. Clearance is adjusted by changing the thickness of the shim.

Slide hammer A special puller that screws into or hooks onto a component such as a shaft or bearing; a heavy sliding handle on the shaft bottoms against the end of the shaft to knock the component free.

Sprocket A tooth or projection on the periphery of a wheel, shaped to engage with a chain or drivebelt. Commonly used to refer to the sprocket wheel itself.

Starter inhibitor switch On vehicles with an automatic transmission, a switch that prevents starting if the vehicle is not in Neutral or Park.

Strut See MacPherson strut.

T

Tappet A cylindrical component which transmits motion from the cam to the valve stem, either directly or via a pushrod and rocker arm. Also called a cam follower.

Thermostat A heat-controlled valve that regulates the flow of coolant between the cylinder block and the radiator, so maintaining optimum engine operating temperature. A thermostat is also used in some air cleaners in which the temperature is regulated.

Thrust bearing The bearing in the clutch assembly that is moved in to the release levers by clutch pedal action to disengage the clutch. Also referred to as a release bearing.

Timing belt A toothed belt which drives the camshaft. Serious engine damage may result if it breaks in service.

Timing chain A chain which drives the camshaft.

Toe-in The amount the front wheels are closer together at the front than at the rear. On rear wheel drive vehicles, a slight amount of toe-in is usually specified to keep the front wheels running parallel on the road by offsetting other forces that tend to spread the wheels apart.

Toe-out The amount the front wheels are closer together at the rear than at the front. On front wheel drive vehicles, a slight amount of toe-out is usually specified.

Tools For full information on choosing and using tools, refer to the *Haynes Automotive Tools Manual*.

Tracer A stripe of a second colour applied to a wire insulator to distinguish that wire from another one with the same colour insulator.

Tune-up A process of accurate and careful adjustments and parts replacement to obtain the best possible engine performance.

Turbocharger A centrifugal device, driven by exhaust gases, that pressurises the intake air. Normally used to increase the power output from a given engine displacement, but can also be used primarily to reduce exhaust emissions (as on VW's "Umwelt" Diesel engine).

U

Universal joint or U-joint A double-pivoted connection for transmitting power from a driving to a driven shaft through an angle. A U-joint consists of two Y-shaped yokes and a cross-shaped member called the spider.

V

Valve A device through which the flow of liquid, gas, vacuum, or loose material in bulk may be started, stopped, or regulated by a movable part that opens, shuts, or partially obstructs one or more ports or passageways. A valve is also the movable part of such a device.

Valve clearance The clearance between the valve tip (the end of the valve stem) and the rocker arm or tappet. The valve clearance is measured when the valve is closed.

Vernier caliper A precision measuring instrument that measures inside and outside dimensions. Not quite as accurate as a micrometer, but more convenient.

Viscosity The thickness of a liquid or its resistance to flow.

Volt A unit for expressing electrical "pressure" in a circuit. One volt that will produce a current of one ampere through a resistance of one ohm.

W

Welding Various processes used to join metal items by heating the areas to be joined to a molten state and fusing them together. For more information refer to the *Haynes Automotive Welding Manual*.

Wiring diagram A drawing portraying the components and wires in a vehicle's electrical system, using standardised symbols. For more information refer to the *Haynes Automotive Electrical and Electronic Systems Manual*.

Note: References throughout this index relate to Chapter•page number

A

Accelerator cable - 3•12, 13•80
 Accelerator control system - 13•75
 Accelerator pump - 3•7, 3•8, 3•11, 13•66
 Acknowledgements - 0•4
 Aerial - 9•10
 Air bags - 0•5
 Air cleaner - 3•4, 13•60, 13•69, 13•67,
 13•75, 13•79
 Air pressure switch - 13•70
 Air temperature sensor - 13•76
 Airflow meter - 13•67, 13•69, 13•80
 Alternator - 9•3, 13•58, 13•103, 13•104
 Alternator fault - 9•14
 Anti-flooding device - 3•8, 3•9, 3•10, 3•11,
 13•64
 Anti-knock sensor - 13•86, 13•90
 Anti-roll bar - 13•111
 Antifreeze - 0•6, 0•13, 2•1, 2•2
 Antiskid system - 13•103
 Armrest - 13•112
 Asbestos - 0•5
 Auxiliary shaft - 1•29, 1•30, 13•51, 13•53

B

Battery - 0•5, 9•2
 Battery fault - 9•14
 Bleeding brakes - 8•7
 Bleeding clutch - 13•94
Bodywork - 12•1 *et seq*, 13•111, REF•4
 Bonnet - 12•3, 12•4
 Boots - 7•2, 10•2, 13•98
 Brake fluid - 0•13, 8•1, 13•110, 13•111
Braking system - 8•1 *et seq*, 13•100,
 REF•1, REF•2, REF•3
 Braking system fault finding - 8•9
 Breakerless ignition system - 13•85, 13•86
 Bumpers - 12•4, 12•11, 13•113
 Burning - 0•5

C

Cables - 3•12, 5•1, 8•9, 9•8, 13•80
 Calipers - 8•3, 13•101, 13•102

Camshaft - 1•19, 1•21, 1•24, 1•29, 1•32,
 13•21, 13•30, 13•34, 13•41, 13•42
 Capacities - 0•6, 13•17
 Carburettors - 3•6 to 3•11, 13•62 to 13•66
 Carpets - 12•2
 Cassette player - 9•10
 Catalytic converter - 13•77
 Central door locking - 9•11, 13•109
 Centre console - 12•9
 Check control (warning module) system -
 9•12, 9•13, 13•110, 13•111
 Choke - 3•11, 3•12
 Cigar lighter - 9•13, 13•109
 Clock - 9•13, 13•108
Clutch - 5•1 *et seq*, 13•83, 13•92, 13•94
 Clutch fault finding - 5•3
 Clutch fluid - 0•13
 CO emissions (mixture) - REF•4
 Coil - 4•6, 13•86, 13•90, 13•91
 Coil spring - 11•3, 11•4
 Condenser - 4•5
 Connecting rods - 1•12, 1•18, 1•22, 1•26,
 1•30, 13•25, 13•26, 13•30, 13•35,
 13•47, 13•48, 13•53
 Console - 12•9
 Constant velocity joint - 0•13, 7•3, 13•98,
 13•99
 Contact breaker points - 4•2, 4•3
 Contents - 0•2
 Control panel - 13•108
 Conversion factors - 0•14
 Coolant - 0•6, 0•13, 2•1, 2•2, 13•69, 13•70,
 13•110, 13•111
 Coolant pump - 2•4, 13•55, 13•58
Cooling and heating systems - 2•1 *et seq*,
 13•54, 13•55
 Cooling and heating systems fault finding -
 2•8
 Courtesy lamp - 9•5, 9•8
 Crankcase - 1•17
 Crankcase ventilation system - 1•8
 Crankshaft - 1•18, 1•20, 1•30, 1•31, 13•44,
 13•45, 13•52
 Crossmember - 11•4
 Crushing - 0•5
 CV joints - 0•13, 7•3, 13•98, 13•99
 Cylinder block - 1•17

Cylinder head - 1•10, 1•16, 1•19, 1•22,
 1•25, 1•28, 1•32, 13•19, 13•22, 13•30,
 13•34, 13•43, 13•44, 13•53

D

Dents in bodywork - 12•2
 Depressurisation (fuel system) - 13•75
 Digiplex 2 ignition system - 13•90
 Dim-dip system - 13•106
 Dimensions - 0•6, 13•17
 Direction indicators - 9•7
 Discs - 8•4, 13•101, 13•102
 Distributor - 4•3, 4•5, 13•86, 13•89, 13•90,
 13•92
 Doors - 9•11, 12•5, 12•6, 12•7, 13•111,
 13•112, 13•114, REF•2
 Drivebelts - 2•3, 13•58
 Driveshaft
 Driveshafts and hubs fault finding - 7•6
Driveshafts, hubs, roadwheels and tyres -
 0•13, 7•1 *et seq*, 10•4, 11•3, 11•6,
 13•98, 13•99, REF•3, REF•4
 Drums - 8•4
 Dwell angle - 4•4

E

Economy gauge (Econometer) - 3•11, 9•12
 Electric shock - 0•5
 Electric windows - 9•11, 13•109
 Electrical control circuit (ECU) - 13•67,
 13•71, 13•81, 13•86, 13•90
Electrical system - 9•1 *et seq*, 13•103,
 REF•2
 Electrical system fault finding - 9•14,
 REF•9
 Electronic ignition - 4•3, 4•6, 4•7
Engine - 1•1 *et seq*, 13•19, 13•33, 13•37
 Engine fault finding - 1•35, 1•36, 2•8, 3•13,
 4•9, 13•92, REF•10, REF•11
 Engine oil - 0•6, 0•13, 1•3, 1•4, 1•8
 Engine speed sensor - 4•7, 13•89, 13•91
 Environmental considerations - REF•8
 Exhaust emission checks - REF•4
 Exhaust manifold - 13•77
 Exhaust system - 3•12, REF•3

F

Facia - 12•10, 13•107
Fan - 2•3, 13•57, 13•71, 13•84
Fast idle adjustment - 3•7, 3•9, 3•10, 3•11, 13•64
Fault finding - REF•9 *et seq*
Fault finding - braking system - 8•9
Fault finding - clutch - 5•3
Fault finding - cooling and heating systems - 2•8
Fault finding - driveshafts and hubs - 7•6
Fault finding - Econometer - 9•12
Fault finding - electrical system - 9•14, REF•9
Fault finding - engine - 1•35, 1•36, 2•8, 3•13, 4•9, 13•92, REF•10, REF•11
Fault finding - fuel system - 3•9, 3•13, 13•84
Fault finding - ignition system - 4•9, REF•11
Fault finding - Microplex ignition system - 13•92
Fault finding - steering - 10•4
Fault finding - suspension - 11•6
Fault finding - transmission - 6•4
Fault finding - turbocharger system - 13•84
Filling - 12•3
Final drive output shafts - 13•94
Fire - 0•5
Float adjustment - 3•7, 3•8, 3•10, 3•11, 13•64, 13•66
Flywheel - 1•19, 1•21, 1•31, 13•46, 13•53
Fog lamps - 13•106
Fuel evaporation control system - 13•78
Fuel filter - 13•67, 13•72, 13•74, 13•79
Fuel gauge fault - 9•14
Fuel injection electronic control unit (ECU) - 13•77
Fuel injection system - 13•68, 13•69
Fuel injection system fault finding - 13•84
Fuel injectors - 13•69, 13•70, 13•71, 13•76, 13•77, 13•81, 13•84
Fuel level transmitter - 3•5
Fuel pressure regulator - 13•70
Fuel pump - 3•5, 13•61, 13•69, 13•72, 13•76, 13•80, 13•81
Fuel rail - 13•70, 13•81
Fuel system - 3•1 *et seq*, 13•60, REF•4
Fuel system fault finding - 3•9, 3•13
Fuel tank - 3•5, 13•61, 13•72
Fume or gas intoxication - 0•5
Fuses - 9•5, 13•105

G

Gaiters - 7•2, 10•2, 13•98
Gashes in bodywork - 12•2
Gaskets - 1•20
Gearbox - See *Transmission*
Gearchange lever - 6•2
Gearchange linkage - 13•94, 13•95
Glossary of technical terms - REF•13 *et seq*
Grille - 12•3, 13•113

H

Handbrake - 8•8, 8•9, REF•1
Handles - 12•11
HC emissions - REF•4
Headlamp - 9•6, 9•7, 13•105, 13•106
Heated tailgate window - 9•10
Heater - 2•5, 2•6, 13•58, 13•59, 13•108
Heater fault - 2•8
Horn - 9•6, 13•106
Horn fault - 9•14
HT leads - 13•92
Hubs - 7•3, 7•4, 11•3
Hydraulic hoses and pipes - 8•6
Hydraulic system - 8•7
Hydrofluoric acid - 0•5

I

Idle speed adjustment - 3•7, 13•62, 13•65, 13•68, 13•75, 13•79
Idling fault - 1•36, 3•13, 13•84
Ignition coil - 13•86, 13•90, 13•91
Ignition switch - 4•8
Ignition system - 4•1 *et seq*, 13•85
Ignition system fault finding - 4•9, 9•14, REF•11
Ignition unit - 13•89
Indicators - 9•7
Injectors - 13•69, 13•70, 13•71, 13•76, 13•77, 13•81, 13•84
Inlet manifold - 13•70, 13•77, 13•80
Instrument panel - 9•8, 13•107
Intercooler - 13•84
Interior lamps - 9•5, 9•8
Introduction to the Fiat Uno - 0•4

J

Jacking - 0•8
Joint mating faces and gaskets - REF•8
Jump starting - 0•7

L

Lambda sensor - 13•82
Lamps - 9•6, 9•7, 9•8
Leaks - 0•9, 1•36, 13•84
LED (light emitter diode) - 9•12
Lights fault - 9•14
Locknuts, locktabs and washers - REF•8
Locks - 9•11, 10•4, 12•4, 12•6, 12•7, 13•109
Loudspeakers - 9•11
Lubricants and fluids - 0•13

M

Magnetic impulse generator winding - 13•86
Main bearings - 1•20, 1•30, 13•52
Maintenance - 0•10, 13•18
Manifolds - 3•12, 13•70, 13•77, 13•80
Master cylinder - 8•5, 13•103, 13•93
Microplex ignition system - 13•86, 13•89

Microplex ignition system fault finding - 13•92
Mirrors - 12•11, 13•111, REF•1
Misfire - 1•35, 4•9, REF•11
Mixture adjustment - 3•7, 13•62, 13•65, 13•68, 13•75, 13•79
MOT test checks - REF•1 *et seq*
Mountings - 1•13, 1•27, 13•26, 13•35, 13•49

N

Needle valve - 13•66
Number plate lamp - 9•7

O

Oil cooler - 13•36
Oil filter - 1•8
Oil level sensor - 13•110, 13•111
Oil pressure fault - 1•36, REF•11
Oil pump - 1•13, 1•19, 1•22, 1•26, 1•29, 13•24, 13•30, 13•35, 13•46, 13•53
Oil seals - 1•20, 13•41, 13•44, 13•45, 13•94, REF•8
Oil, engine - 0•6, 0•13, 1•3, 1•4, 1•8
Oil, transmission - 0•6, 0•13, 6•1, 13•14, 13•95
Overheating - 2•8, 4•9, REF•11

P

Pad wear sensor - 13•110
Pads - 8•2, 13•100, 13•101
Parking lamp - 9•7
Pedals - 5•2, 8•9, 13•92, 13•102
Pinking - 1•36, 13•84, REF•11
Pistons - 1•12, 1•18, 1•22, 1•26, 1•30, 13•25, 13•26, 13•30, 13•35, 13•47, 13•48, 13•53
Plastic components - 13•111
Points - 4•2, 4•3
Poisonous or irritant substances - 0•5
Power module - 13•90
Pre-ignition - 1•36, 13•84, REF•11
Pressure regulating valve - 8•6, 13•102
Pressure sensor - 13•86

R

Radiator - 2•3, 12•3, 13•57, 13•113
Radio - 9•10, 13•110
Rear lamp cluster - 9•7
Regulator (voltage) - 9•4
Regulator (window) - 12•7
Relays - 9•5, 13•71, 13•105
Repair procedures - REF•8
Respraying - 12•3
Rocker cover - 13•19
Rockers - 1•19
Roof rack - 12•11
Routine maintenance - 0•10, 13•18
Rust holes in bodywork - 12•2

S

Safety first - 0•5
 Safety pressure switch - 13•90
 Scalding - 0•5
 Scratches in bodywork - 12•2
 Screw threads and fastenings - REF•8
 Seat belts - 12•10, REF•2
 Seats - 12•9, REF•2
 Servo unit - 8•8, 13•103
 Shock absorbers - 11•4, REF•2, REF•3
 Shoes - 8•3
 Side light - 9•7
 Side repeater lamp - 9•7
 Spares - REF•10, REF•12
 Spark plugs - 4•7, 13•92
 Speedometer - 9•8
 Spotlamp - 13•108
 Springs - 11•3, 11•4, REF•3
 Starter motor - 9•4, 13•104, 13•105
 Starter fault - 1•35, 9•14, 13•92, REF•10
 Steering - 9•5, 10•1 *et seq*, 13•106, REF•1, REF•2, REF•3
 Steering fault finding - 10•4
 Stop lamp switch - 8•9
 Struts - 11•2, 13•111
 Sump - 1•11, 1•22, 1•26, 1•31, 13•19, 13•24, 13•46, 13•53
 Sunroof - 12•12
Supplement: Revisions and information on later models - 13•1 *et seq*
 Supplementary air valve - 13•67, 13•69, 13•71, 13•80
Suspension - 11•1 *et seq*, 13•111, REF•2, REF•3
 Suspension fault finding - 11•6
 Switches - 2•3, 4•8, 8•9, 9•5, 13•69, 13•72, 13•80, 13•90, 13•106 to 13•109

T

Tailgate - 9•6, 12•8, 12•9, 13•112
 TDC sensor - 4•7, 13•90, 13•91
 Thermostat - 2•3, 13•54, 13•57
 Throttle control linkage - 13•72
 Throttle position switch - 13•69, 13•72, 13•80
 Throttle valve housing - 13•67, 13•70, 13•80
 Tie-rod - 10•2
 Timing - 4•4, 13•85, 13•91
 Timing belt - 1•24, 1•29, 1•32, 13•20, 13•30, 13•35, 13•38, 13•53
 Timing chain - 1•9, 1•19, 1•22
 Tools - REF•5, REF•7, REF•8, REF•10
 Towing - 0•8
 Track control arm - 11•4
 Trailing arms - 11•5
Transmission - 1•13, 1•22, 1•27, 1•32, 6•1 *et seq*, 13•26, 13•33, 13•36, 13•49, 13•53, 13•94, 13•96
 Transmission fault finding - 6•4
 Transmission oil - 0•6, 0•13, 6•1, 13•14, 13•95
 Trim panels - 12•5, 13•114
 Trip master - 13•108
 Tripode joint - 7•3
 Turbocharger - 13•82, 13•83
 Turbocharger fault finding - 13•84
 Tyres - 7•5, 10•4, 11•6, REF•4

U

Underframe - 12•1
 Unleaded fuel - 13•60
 Upholstery - 12•2

V

Vacuum sensor - 13•86
 Vacuum servo - 8•8, 13•103
 Valve clearances - 1•9, 1•23, 1•32, 13•20, 13•37
 Vehicle identification - REF•2, REF•12
 Voltage regulator - 9•4

W

Washer system - 9•10, 13•110
 Water pump - 2•4, 13•55, 13•58
 Weights - 0•6, 13•17
 Wheel alignment - 10•3
 Wheel bearings - 7•3, 7•4, REF•3
 Wheel changing - 0•8
 Wheel cylinder - 8•4
 Wheels - 7•5, REF•4
 Window regulator - 12•7
 Windows - 9•11, 12•6, 12•9, 13•109, 13•113
 Windscreen - 12•8, REF•1
 Wings - 12•5
 Wiper blade and arm - 9•9
 Wiper motor - 9•9, 9•10, 13•109, 13•110
 Wiper fault - 9•14
Wiring diagrams - 14•1 *et seq*
 Working facilities - REF•7

Preserving Our Motoring Heritage



<
The Model J Duesenberg Derham Tourster. Only eight of these magnificent cars were ever built – this is the only example to be found outside the United States of America

Almost every car you've ever loved, loathed or desired is gathered under one roof at the Haynes Motor Museum. Over 300 immaculately presented cars and motorbikes represent every aspect of our motoring heritage, from elegant reminders of bygone days, such as the superb Model J Duesenberg to curiosities like the bug-eyed BMW Isetta. There are also many old friends and flames. Perhaps you remember the 1959 Ford Popular that you did your courting in? The magnificent 'Red Collection' is a spectacle of classic sports cars including AC, Alfa Romeo, Austin Healey, Ferrari, Lamborghini, Maserati, MG, Riley, Porsche and Triumph.

A Perfect Day Out

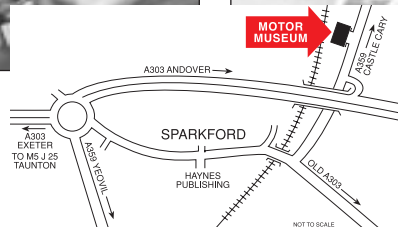
Each and every vehicle at the Haynes Motor Museum has played its part in the history and culture of Motoring. Today, they make a wonderful spectacle and a great day out for all the family. Bring the kids, bring Mum and Dad, but above all bring your camera to capture those golden memories for ever. You will also find an impressive array of motoring memorabilia, a comfortable 70 seat video cinema and one of the most extensive transport book shops in Britain. The Pit Stop Cafe serves everything from a cup of tea to wholesome, home-made meals or, if you prefer, you can enjoy the large picnic area nestled in the beautiful rural surroundings of Somerset.



>
John Haynes O.B.E.,
Founder and
Chairman of the
museum at the wheel
of a Haynes Light 12.



<
Graham Hill's Lola
Cosworth Formula 1
car next to a 1934
Riley Sports.



The Museum is situated on the A359 Yeovil to Frome road at Sparkford, just off the A303 in Somerset. It is about 40 miles south of Bristol, and 25 minutes drive from the M5 intersection at Taunton.

Open 9.30am - 5.30pm (10.00am - 4.00pm Winter) 7 days a week, except Christmas Day, Boxing Day and New Years Day
Special rates available for schools, coach parties and outings Charitable Trust No. 292048