

Parts Catalogue

'18 ZR900 BJF(EU)

(Z900)

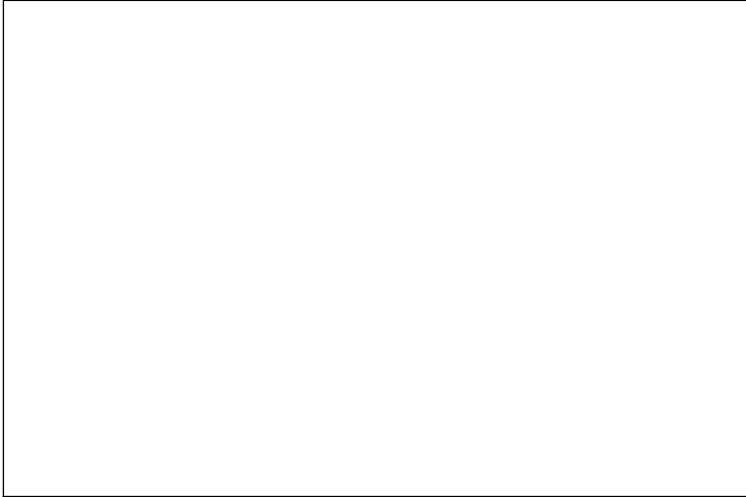
'18 ZR900 BJJ

Model Information

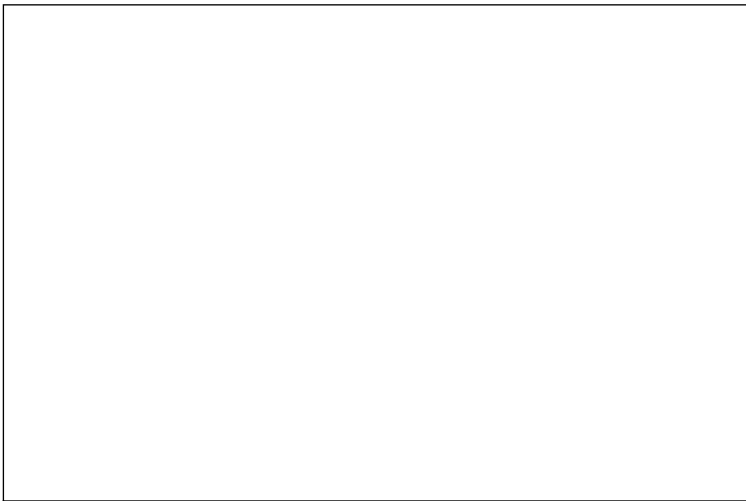
Year & Model	'18 ZR900BJJ
Color	1.PEARL MYSTIC GRAY(36P) 2.FLAT EBONY TYPE2(45L) 3.CANDY LIME GREEN TYPE 3(51P) 4.CANDY PERSIMMON RED(A5)
VIN No. Range	JKAZR900BBA000001 -
Engine No. Range	ZR900BE000001 -
Owner's Manual No.	99976-0106(E/F/G) 99976-0107(I/ES/NL)
Service Manual No.	99924-1525-02

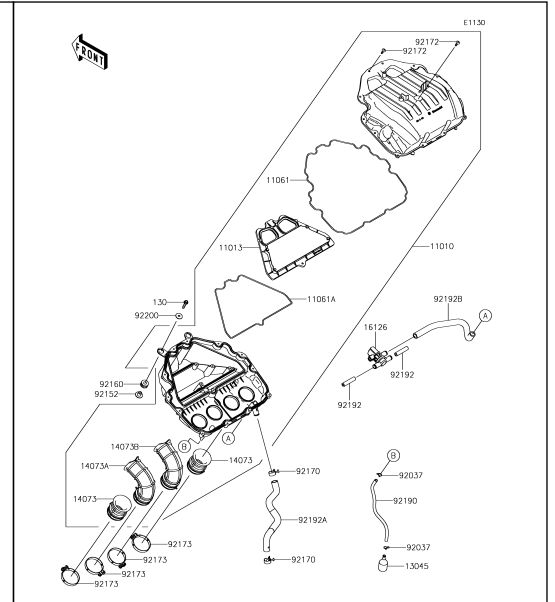
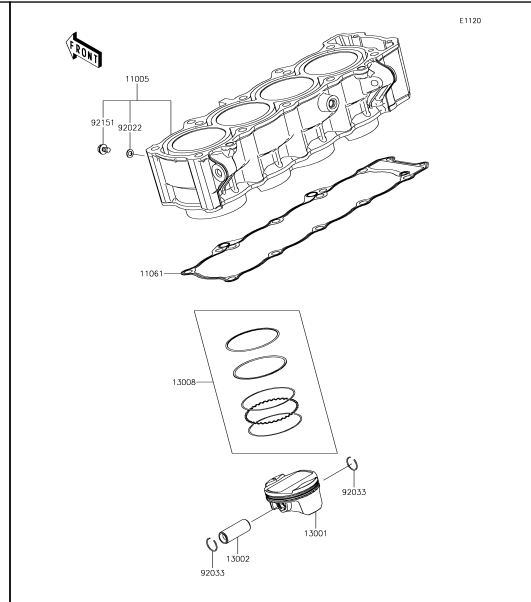
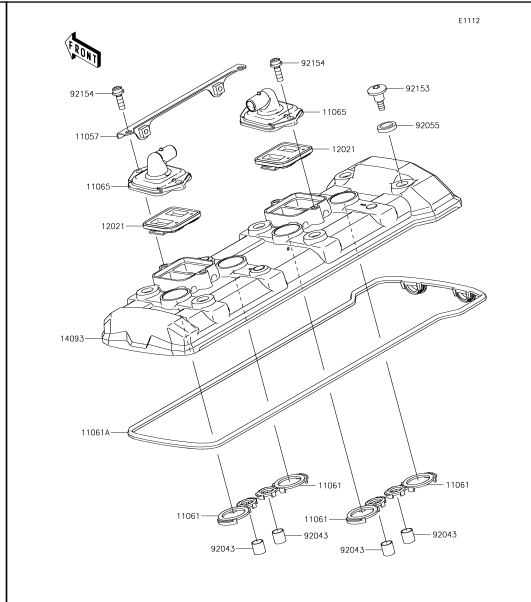
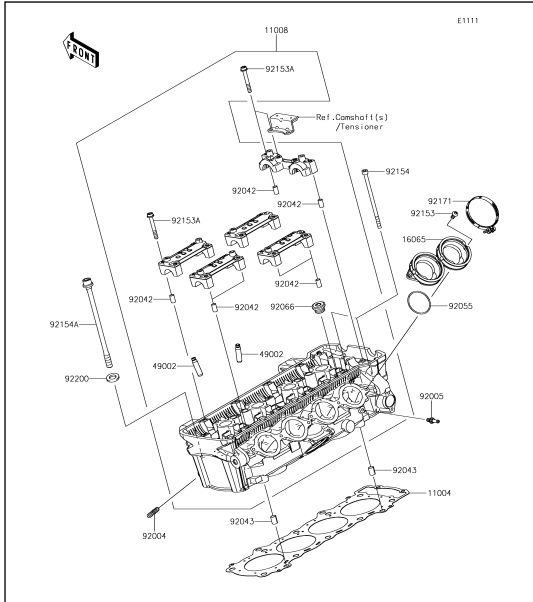
ZR900BJJ

Left Side View



Right Side View



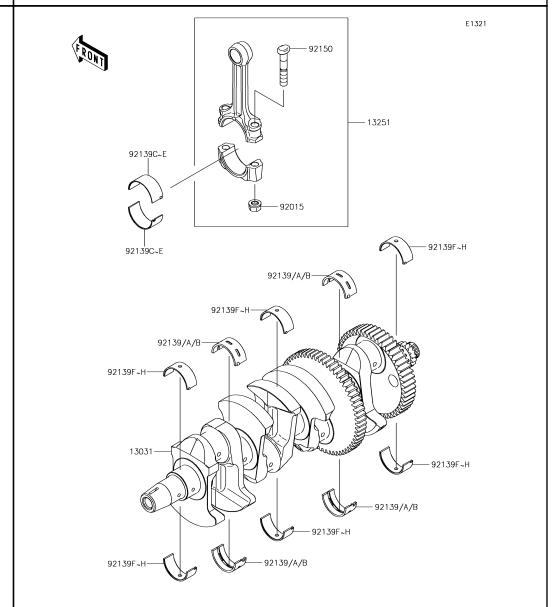
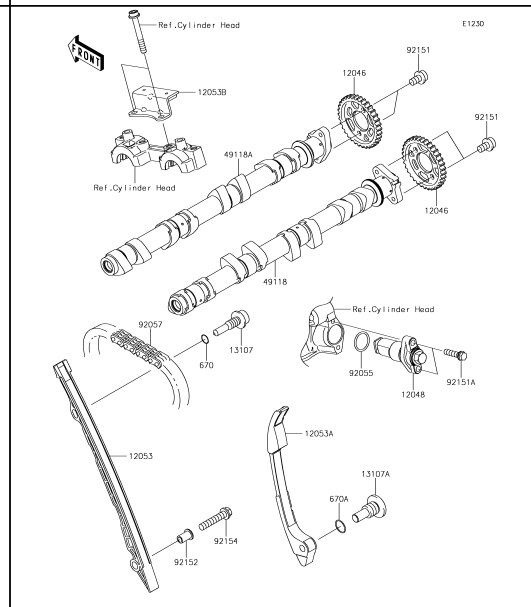
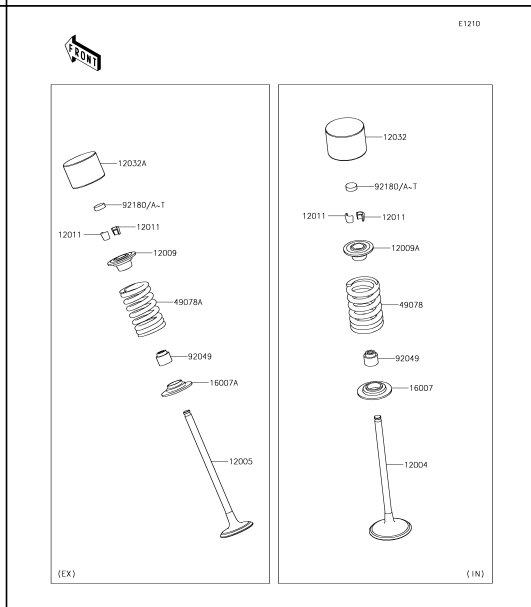
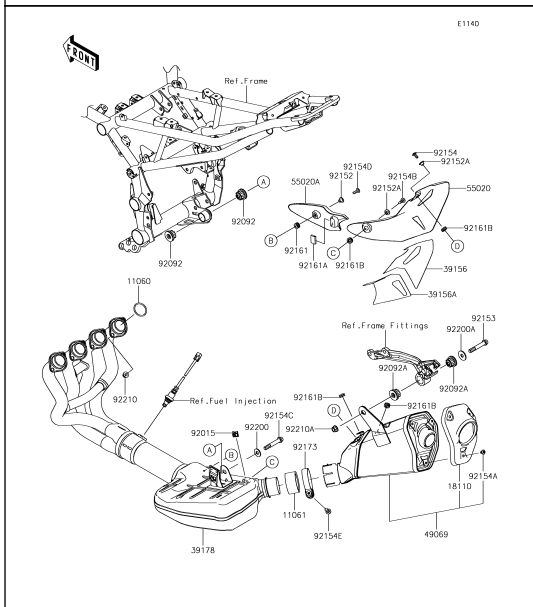


1 Cylinder Head

2 Cylinder Head Cover

3 Cylinder/Piston(s)

4 Air Cleaner

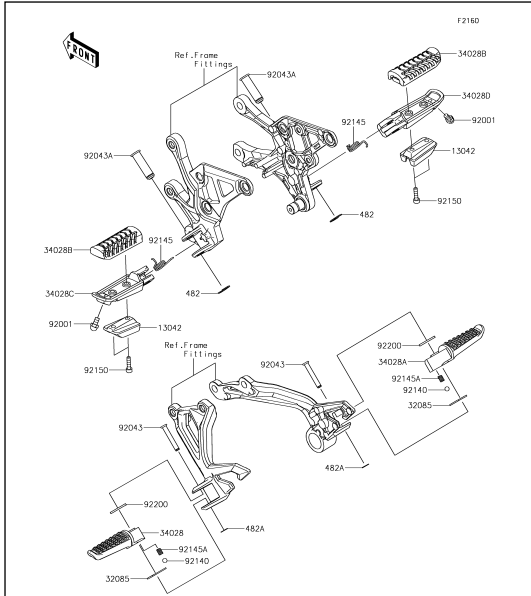


5 Muffler(s)

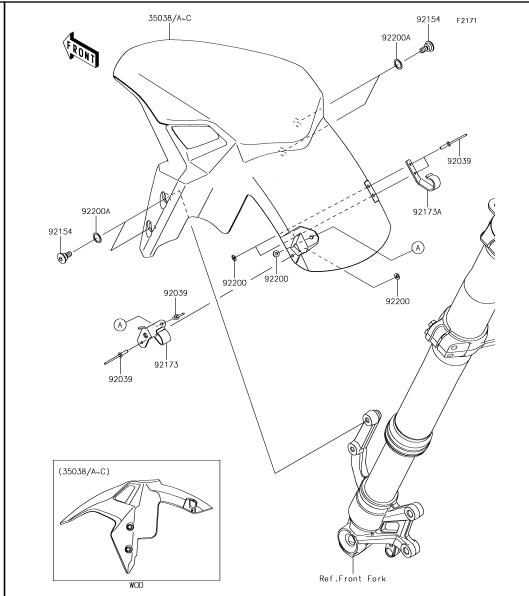
6 Valve(s)

7 Camshaft(s)/Tensioner

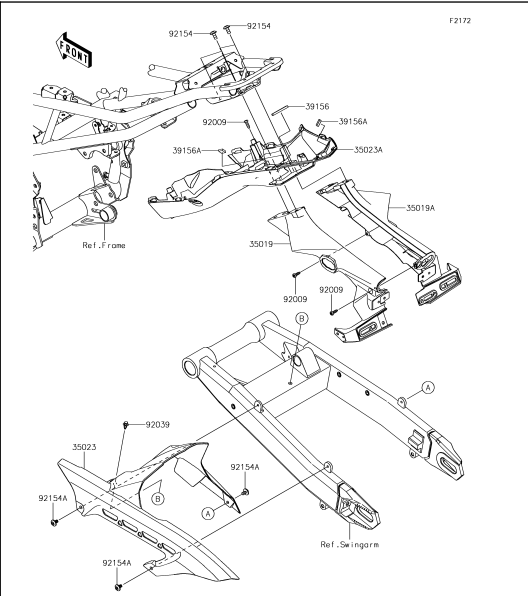
8 Crankshaft



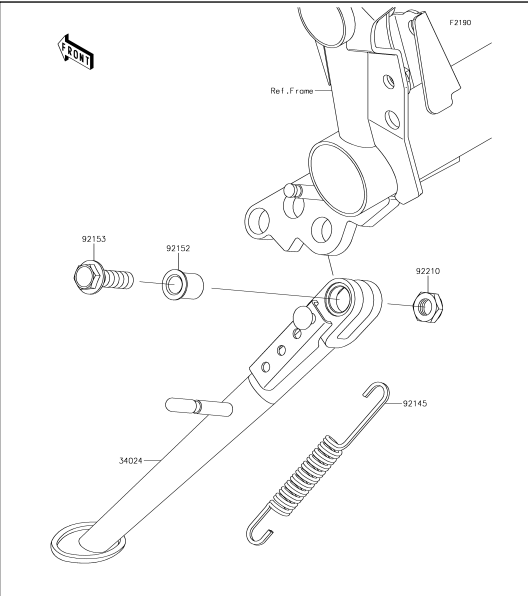
33 Footrests



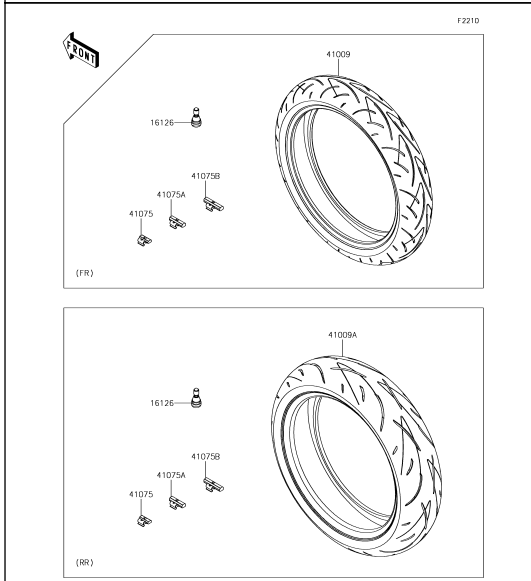
34 Front Fender(s)



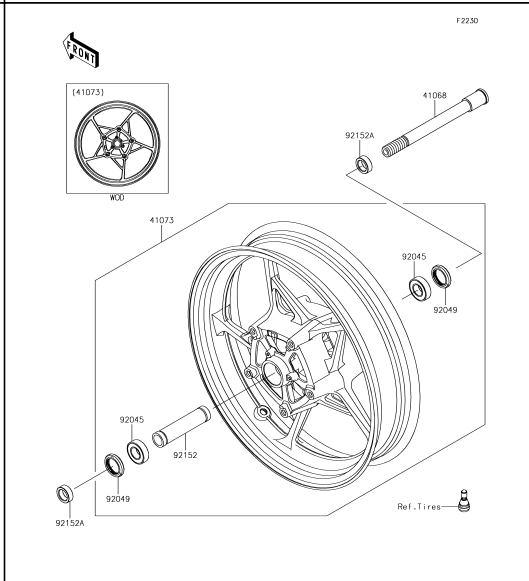
35 Rear Fender(s)



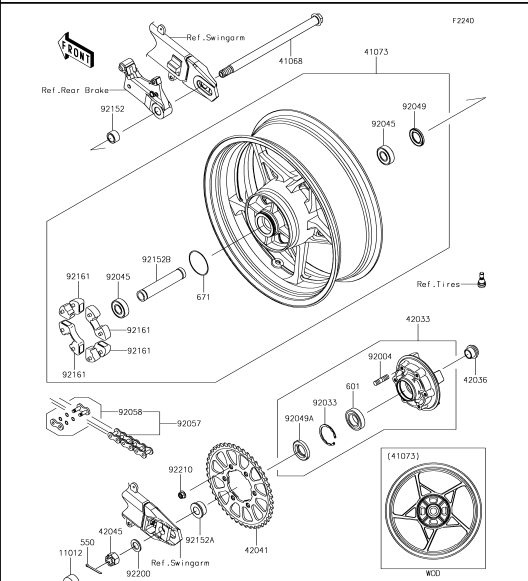
36 Stand(s)



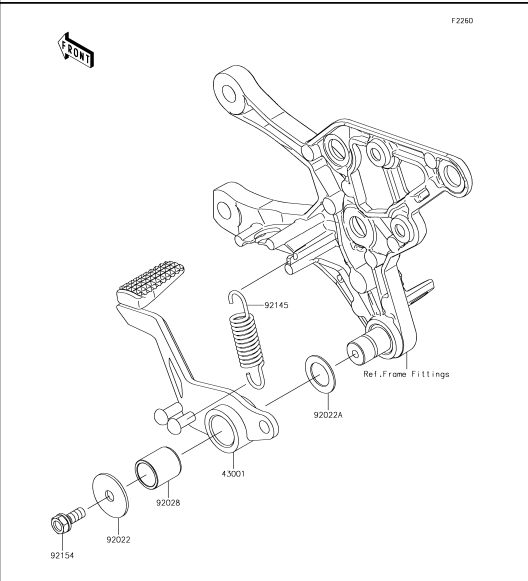
37 Tires



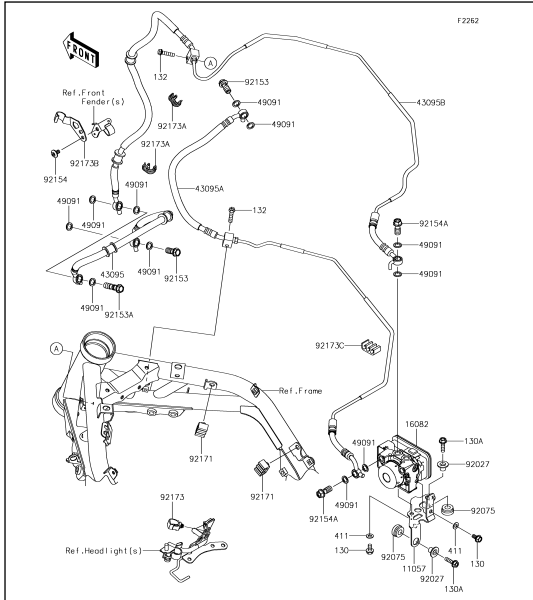
38 Front Hub



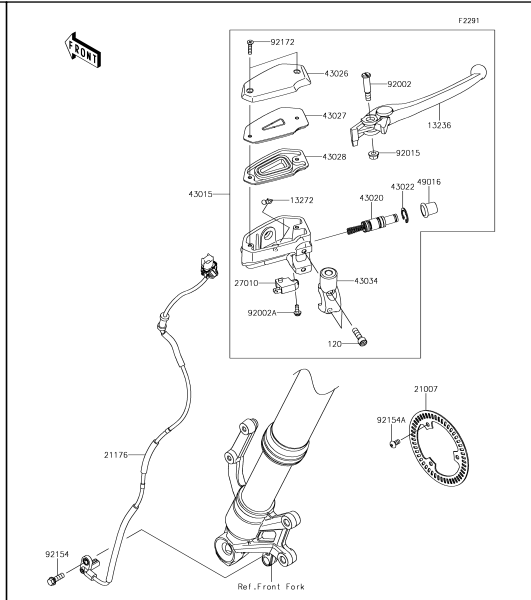
39 Rear Hub



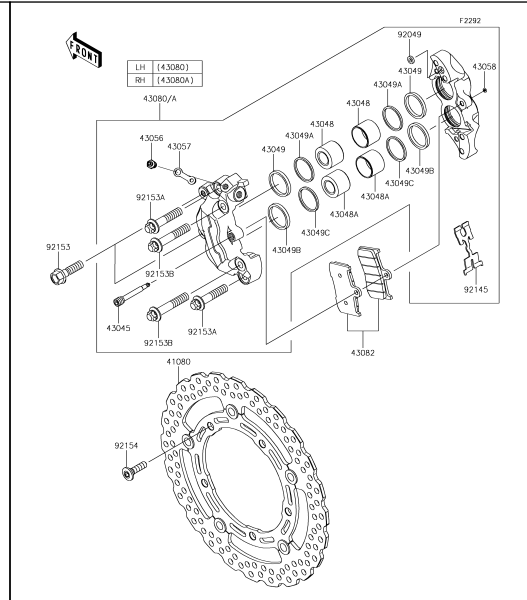
40 Brake Pedal



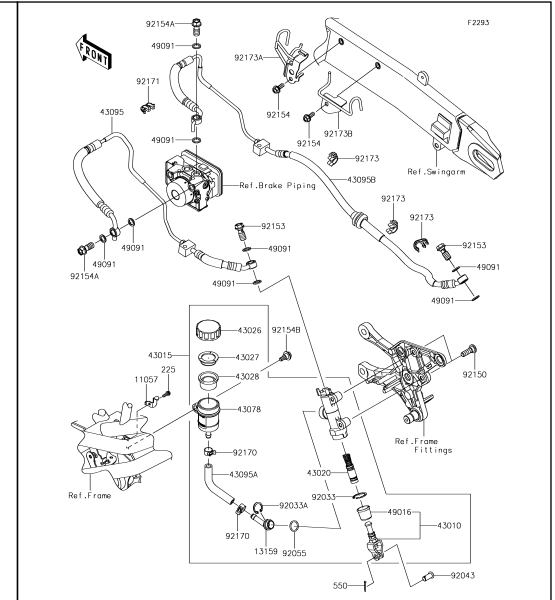
41 Brake Piping



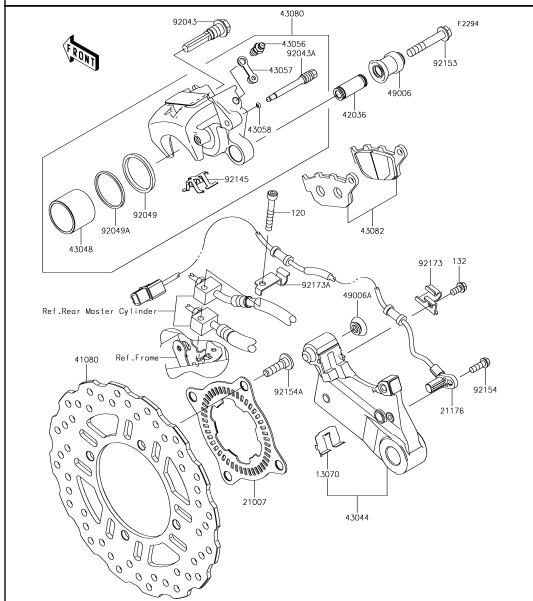
42 Front Master Cylinder



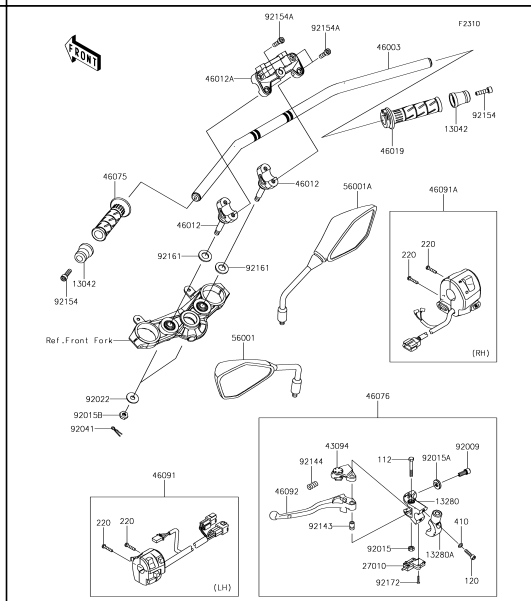
43 Front Brake



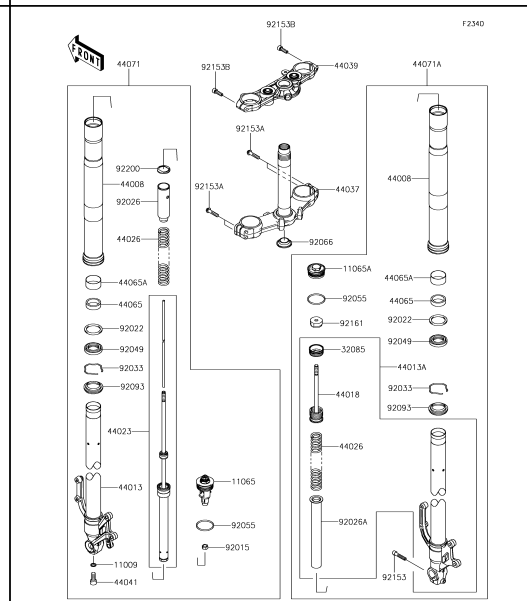
44 Rear Master Cylinder



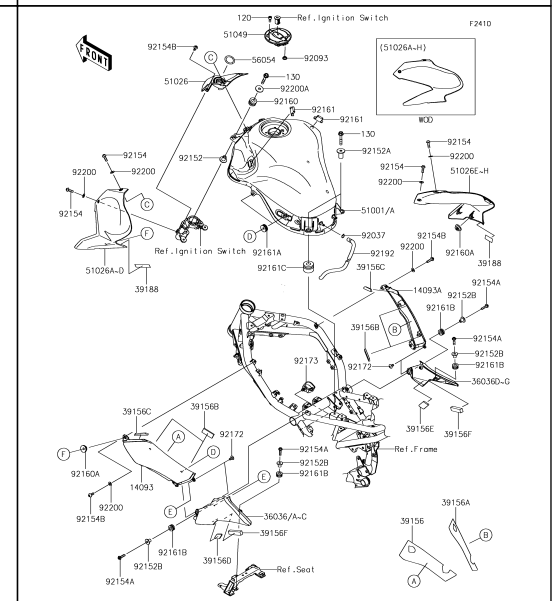
45 Rear Brake



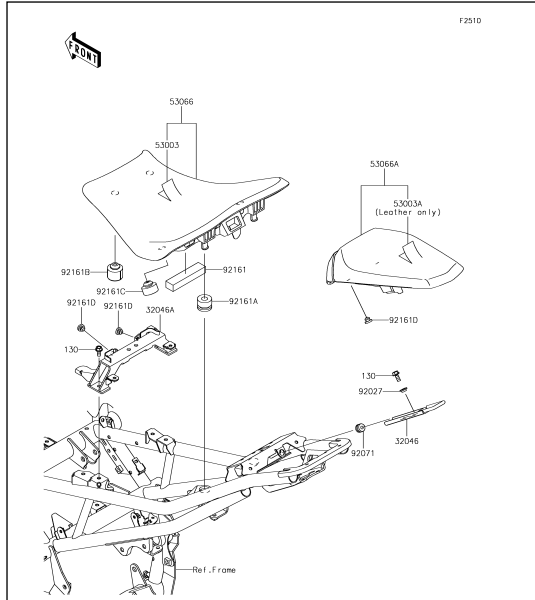
46 Handlebar



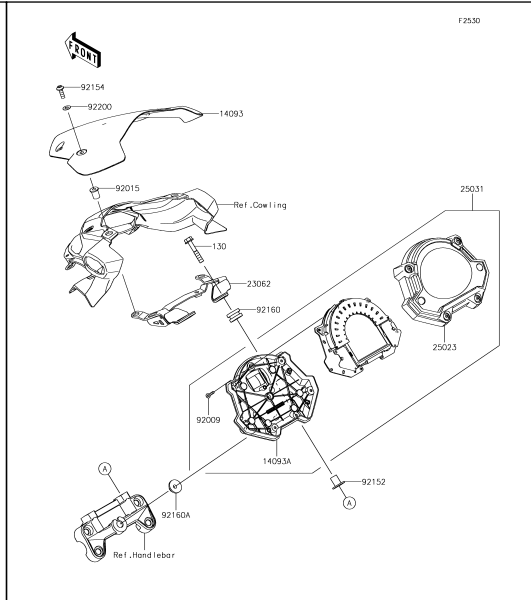
47 Front Fork



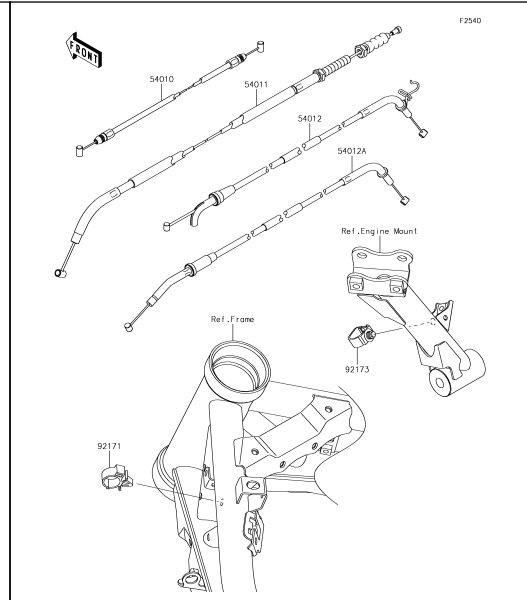
48 Fuel Tank



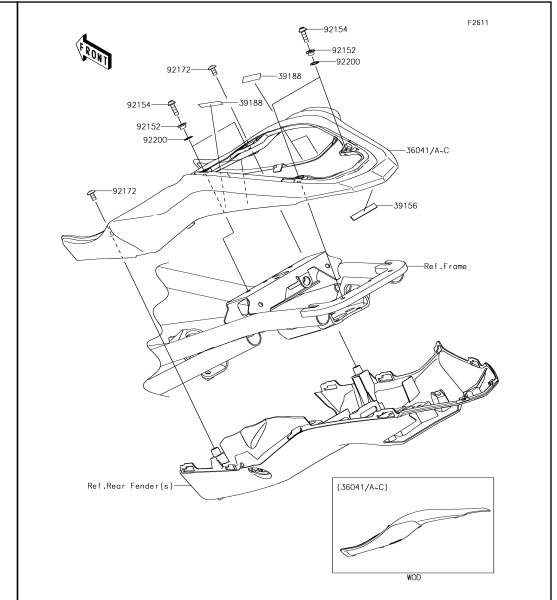
49 Seat



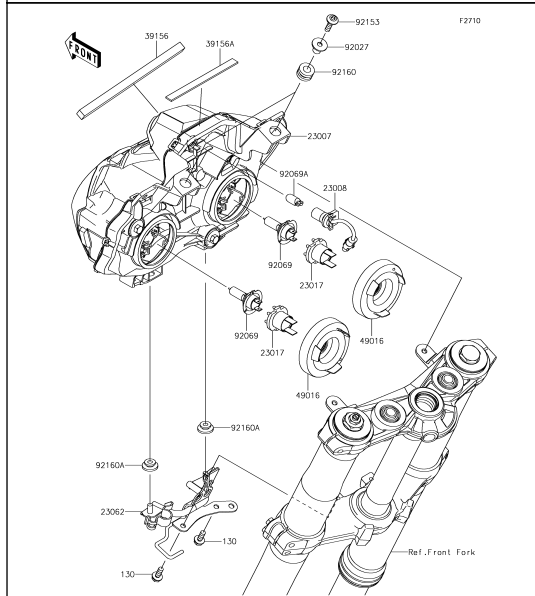
50 Meter(s)



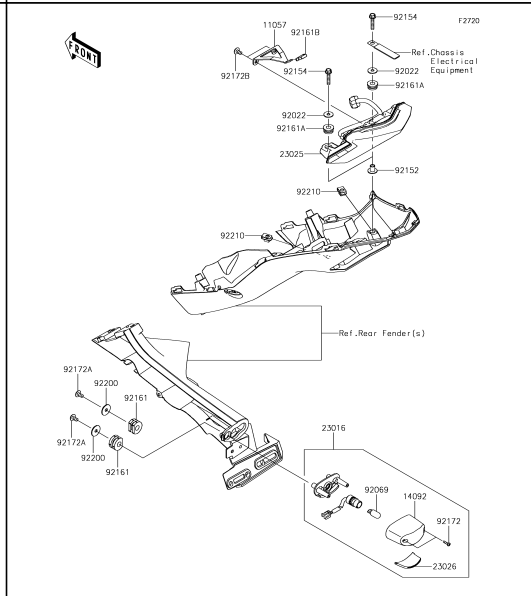
51 Cables



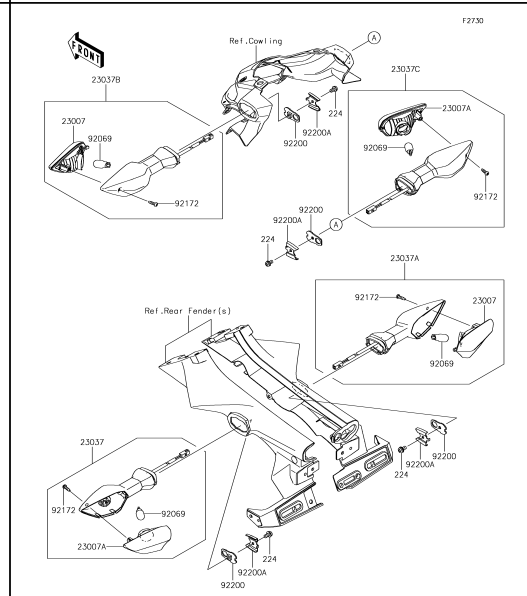
52 Side Covers



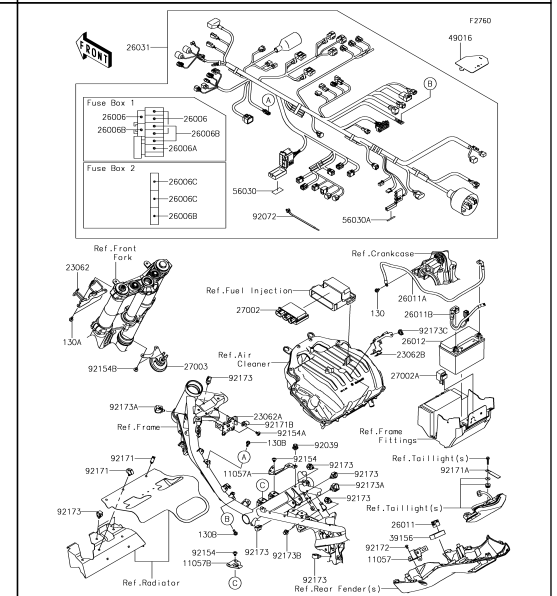
53 Headlight(s)



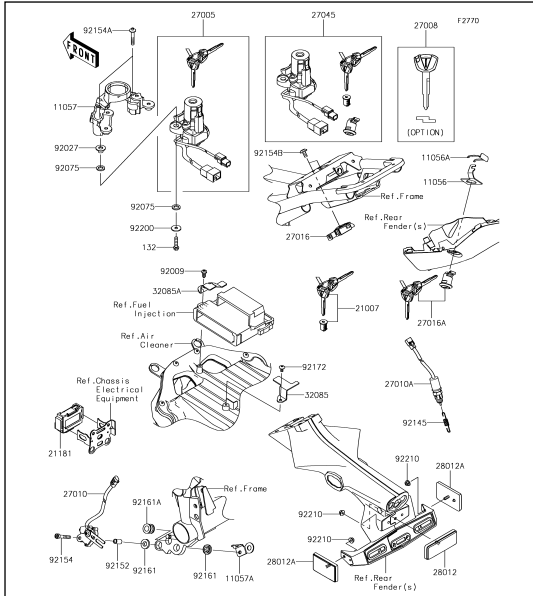
54 Taillight(s)



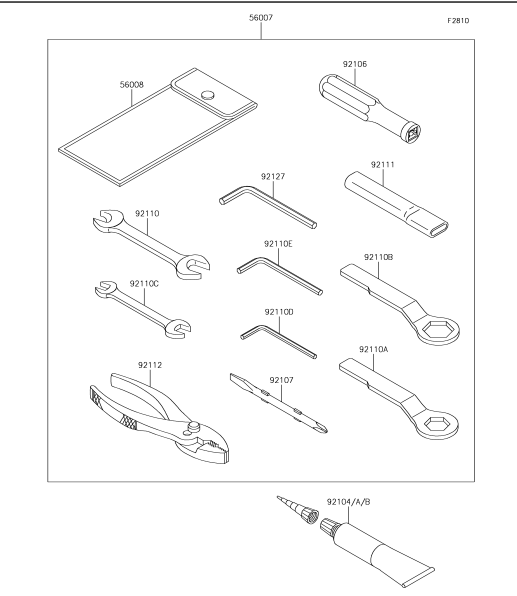
55 Turn Signals



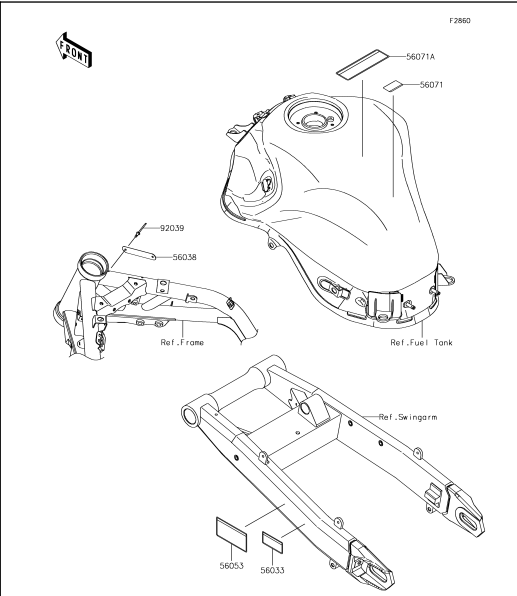
56 Chassis Electrical Equipment



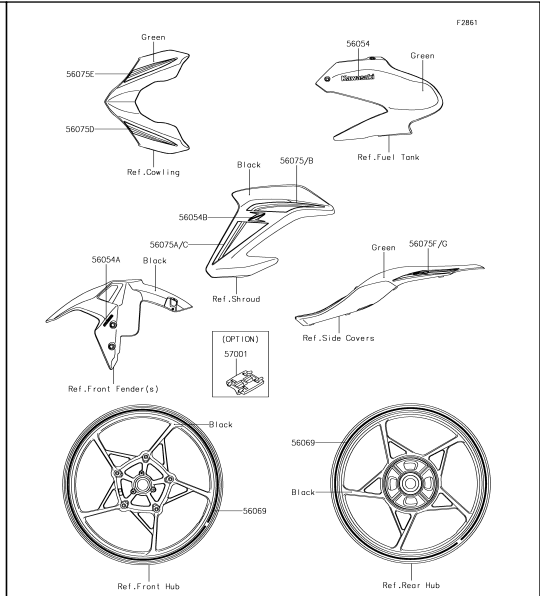
57 Ignition Switch



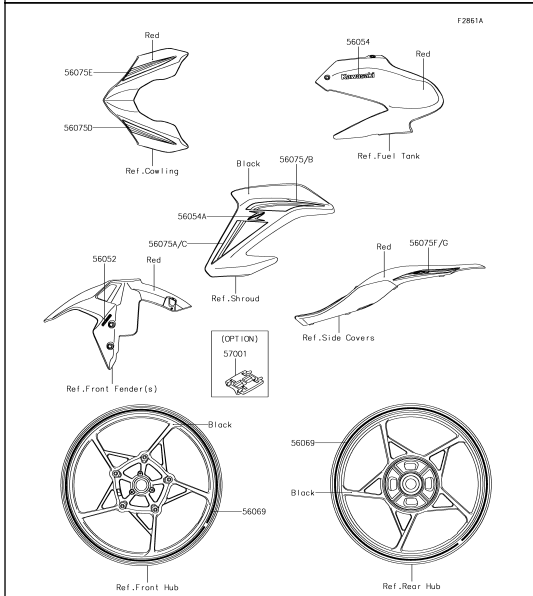
58 Owner's Tools



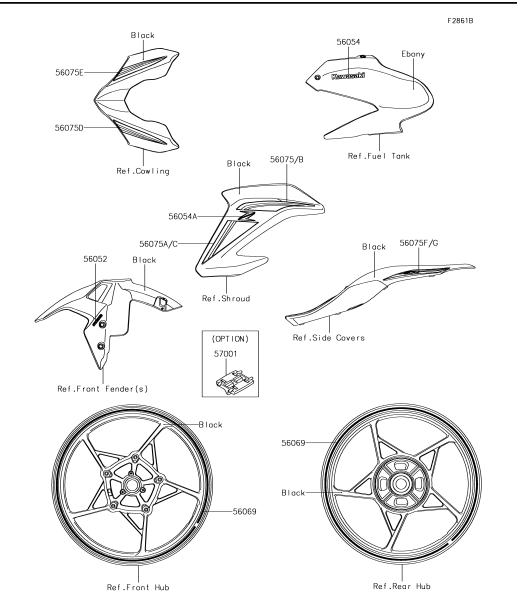
59 Labels



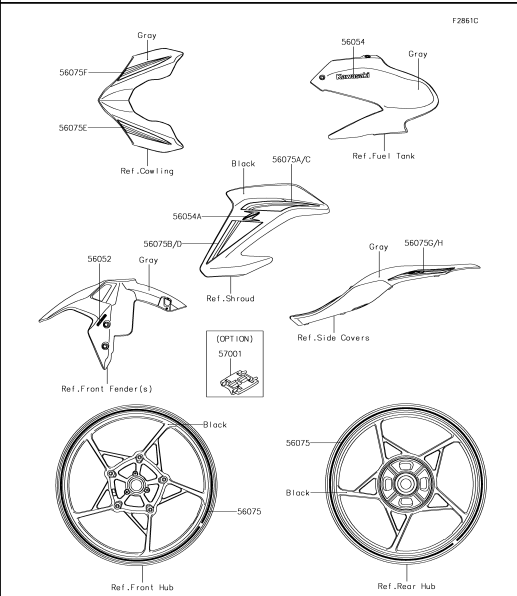
60 Decals(Green)



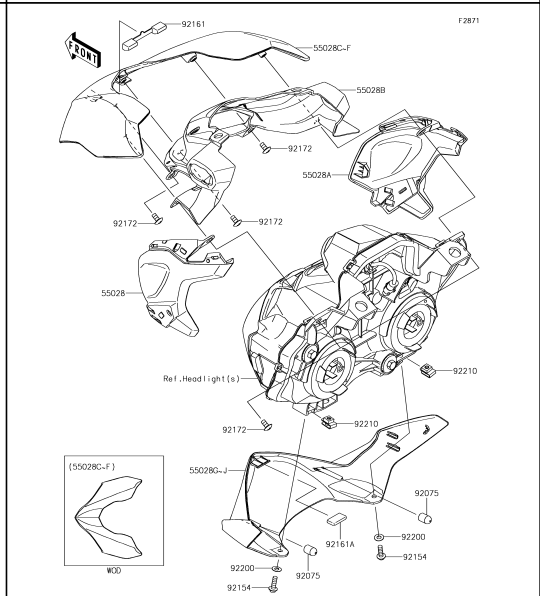
61 Decals(Red)



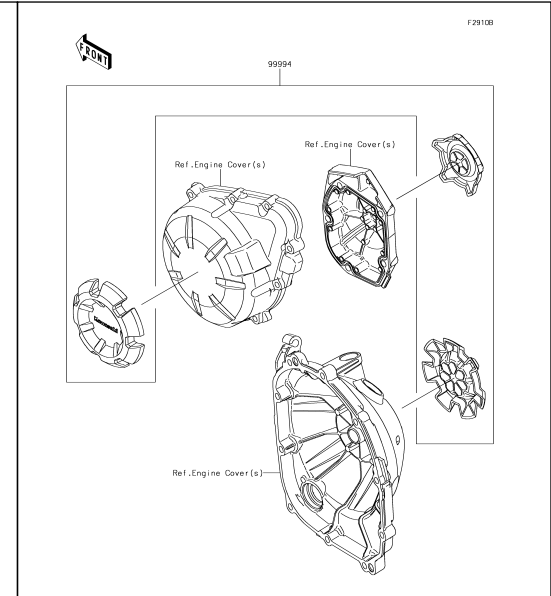
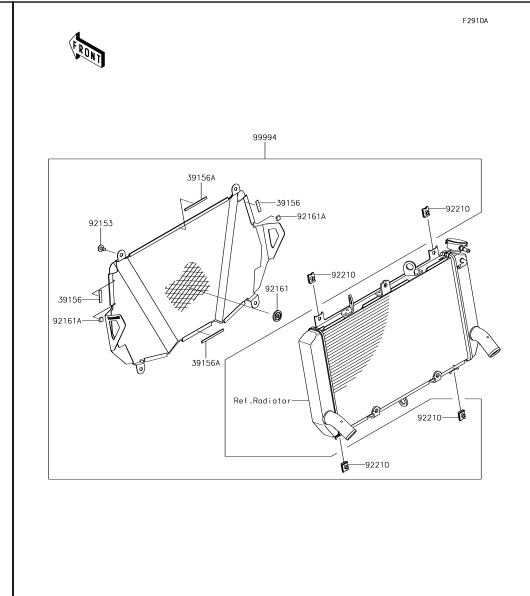
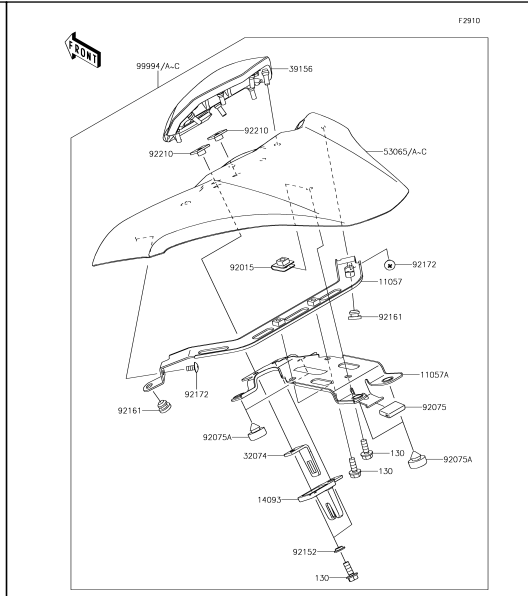
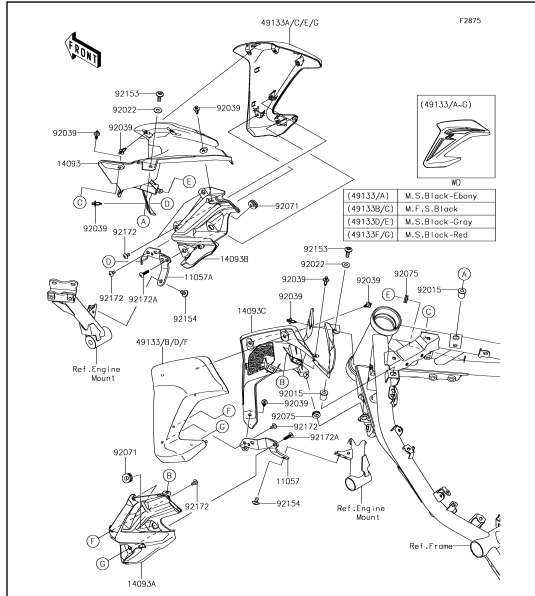
62 Decals(Ebony)



63 Decals(Gray)



64 Cowling

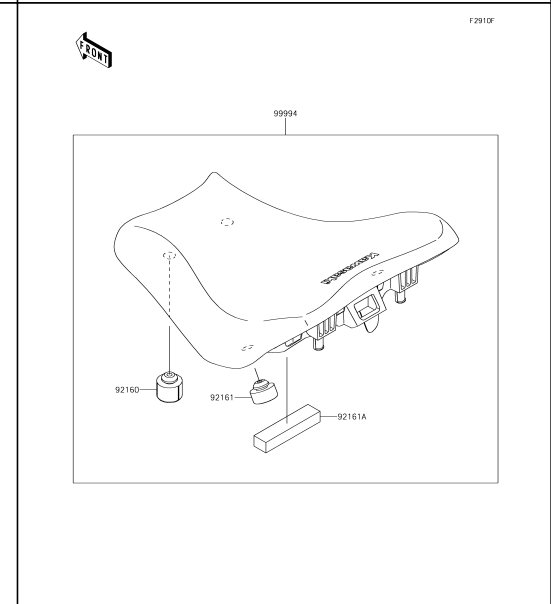
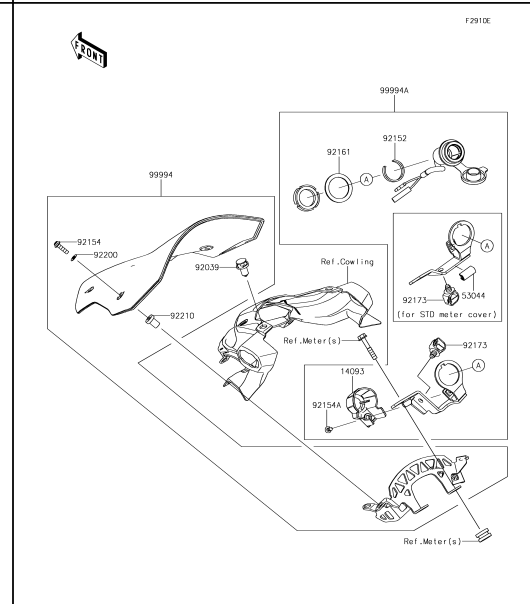
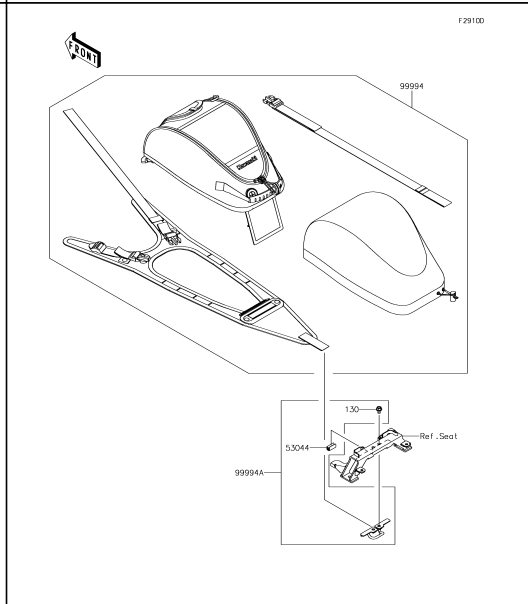
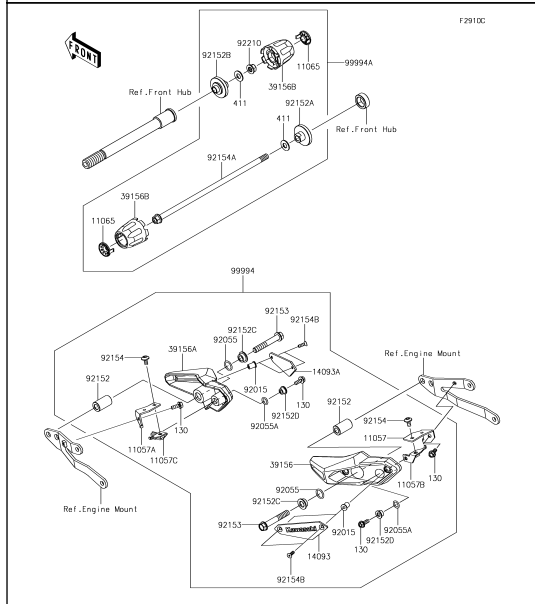


65 Shroud

66 Accessory(Single Seat Cover)

67 Accessory(Radiator Screen)

68 Accessory(Engine Cover Ring)

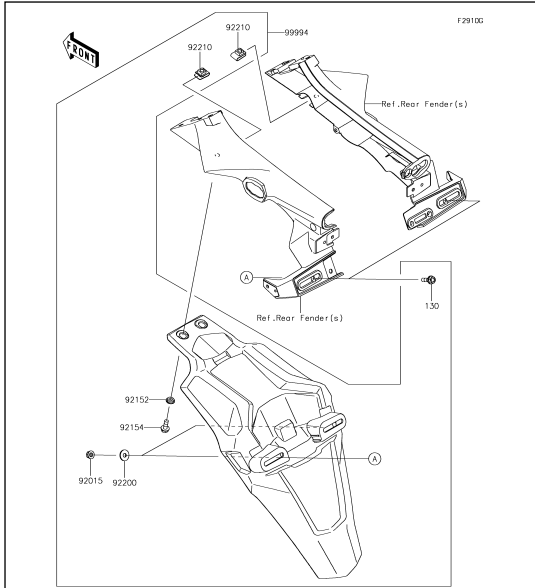


69 Accessory(Slider)

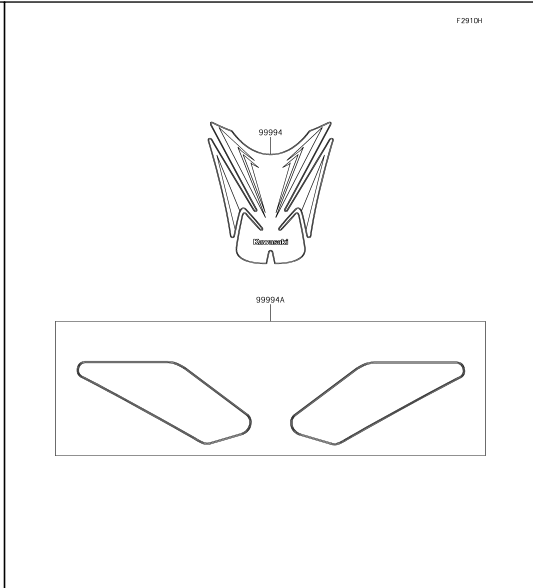
70 Accessory(Tank Bag)

71 Accessory(Large Meter Cover)

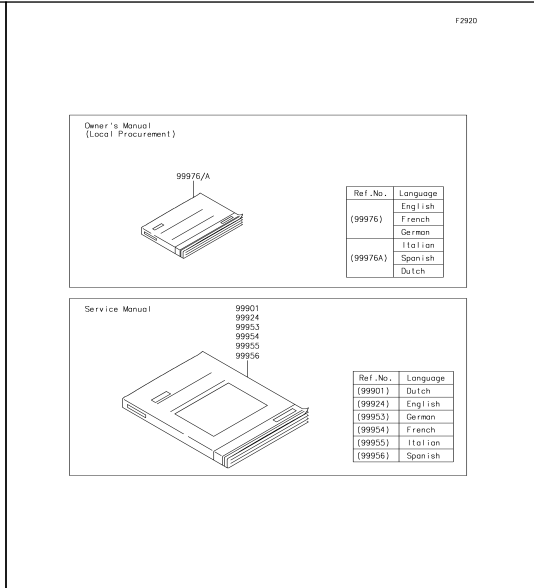
72 Accessory(High Seat)



73 Accessory(Extended Flap)

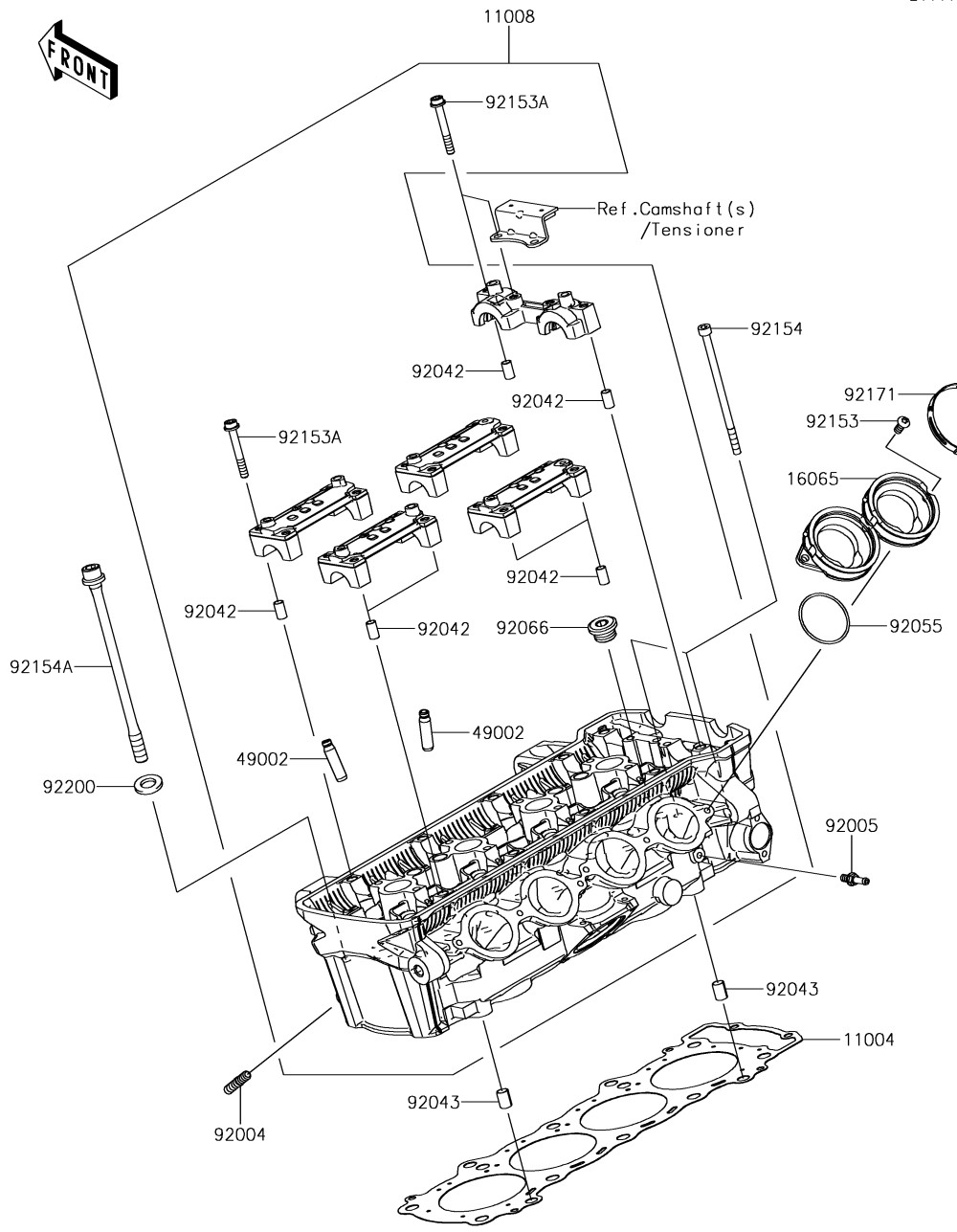


74 Accessory(Pads)



75 Manual

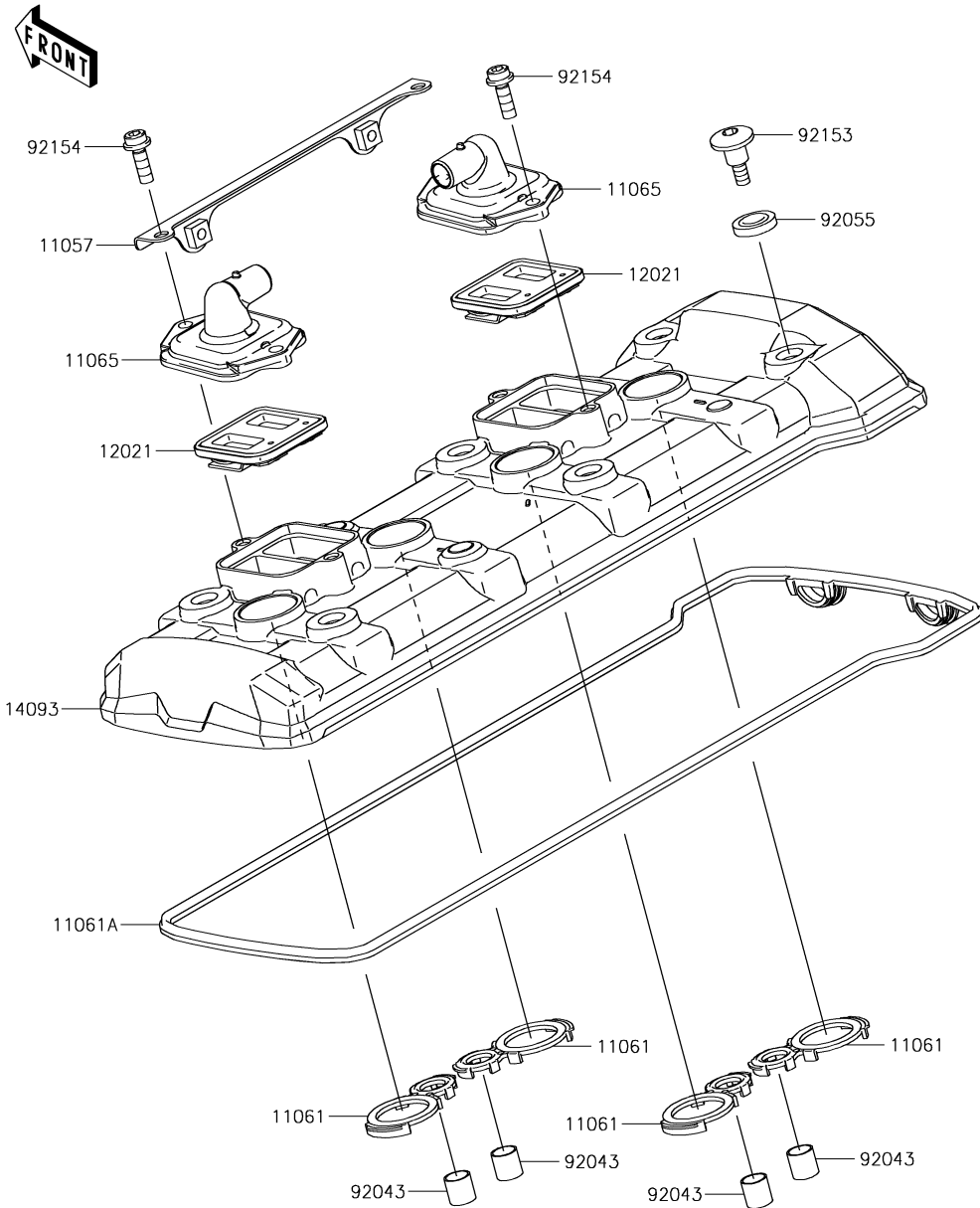
1. Cylinder Head



Ref. No.	Part No.	Description	Spec Code	Quantity			
				'18			
				BJF			
11004	11004-0769	GASKET-HEAD					1
11008	11008-0888	HEAD-COMP-CYLINDER					1
16065	16065-0132	HOLDER-CARBURETOR					2
49002	49002-0009	GUIDE-VALVE					16
92004	92004-0050	STUD					8
92005	92005-0826	FITTING					1
92042	92042-007	PIN,DOWEL,6.3X8X14					10
92043	92043-1264	PIN,8.2X10X14					2
92055	92055-1536	RING-O,42X1.9					4
92066	92066-0832	PLUG,18X10					5
92153	92153-0406	BOLT,TORX,6X14					6
92153A	92153-0656	BOLT,SOCKET,6X45					20
92154	92154-0205	BOLT,SOCKET,6X115					2
92154A	92154-2638	BOLT,FLANGED,10X165					10
92171	92171-0729	CLAMP,60MM					4
92200	92200-1691	WASHER,10.2X18.4X1.8					10

E1112

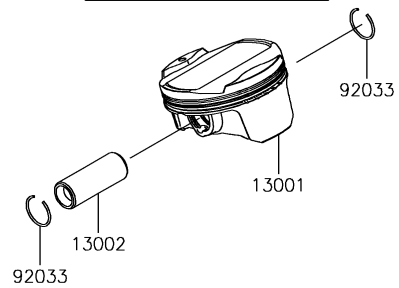
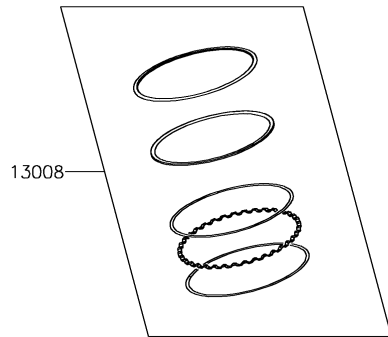
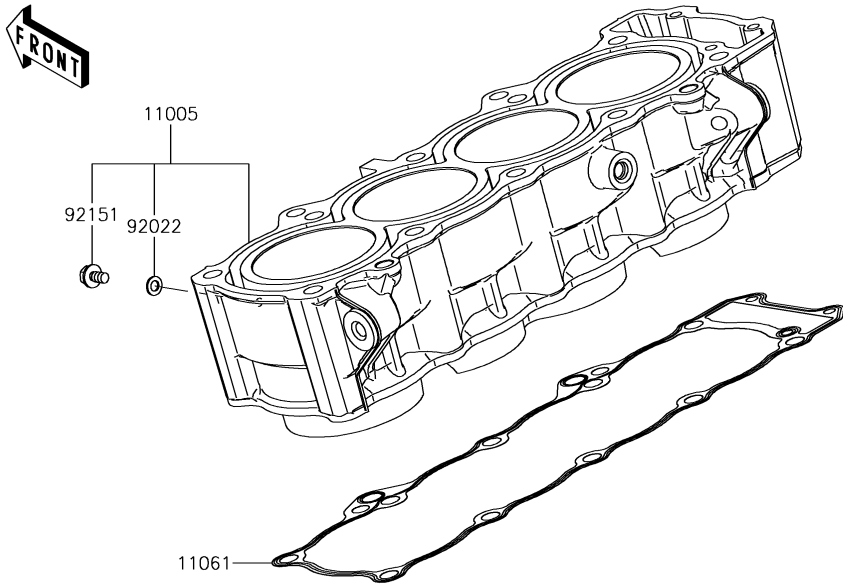
2. Cylinder Head Cover



Ref. No.	Part No.	Description	Spec Code	Quantity			
				'18			
11057	11057-0299	BRACKET,HEAT COVER				1	
11061	11061-1213	GASKET,SPARK PLUG				4	
11061A	11061-1214	GASKET,HEAD				1	
11065	11065-0328	CAP,HEAD COVER				2	
12021	12021-0016	VALVE-ASSY-REED				2	
14093	14093-0521	COVER,HEAD				1	
92043	92043-4009	PIN,10.1X12X14				4	
92055	92055-0785	RING-O				6	
92153	92153-1779	BOLT,SOCKET,6X22.5				6	
92154	92154-0351	BOLT,SOCKET,6X18				4	

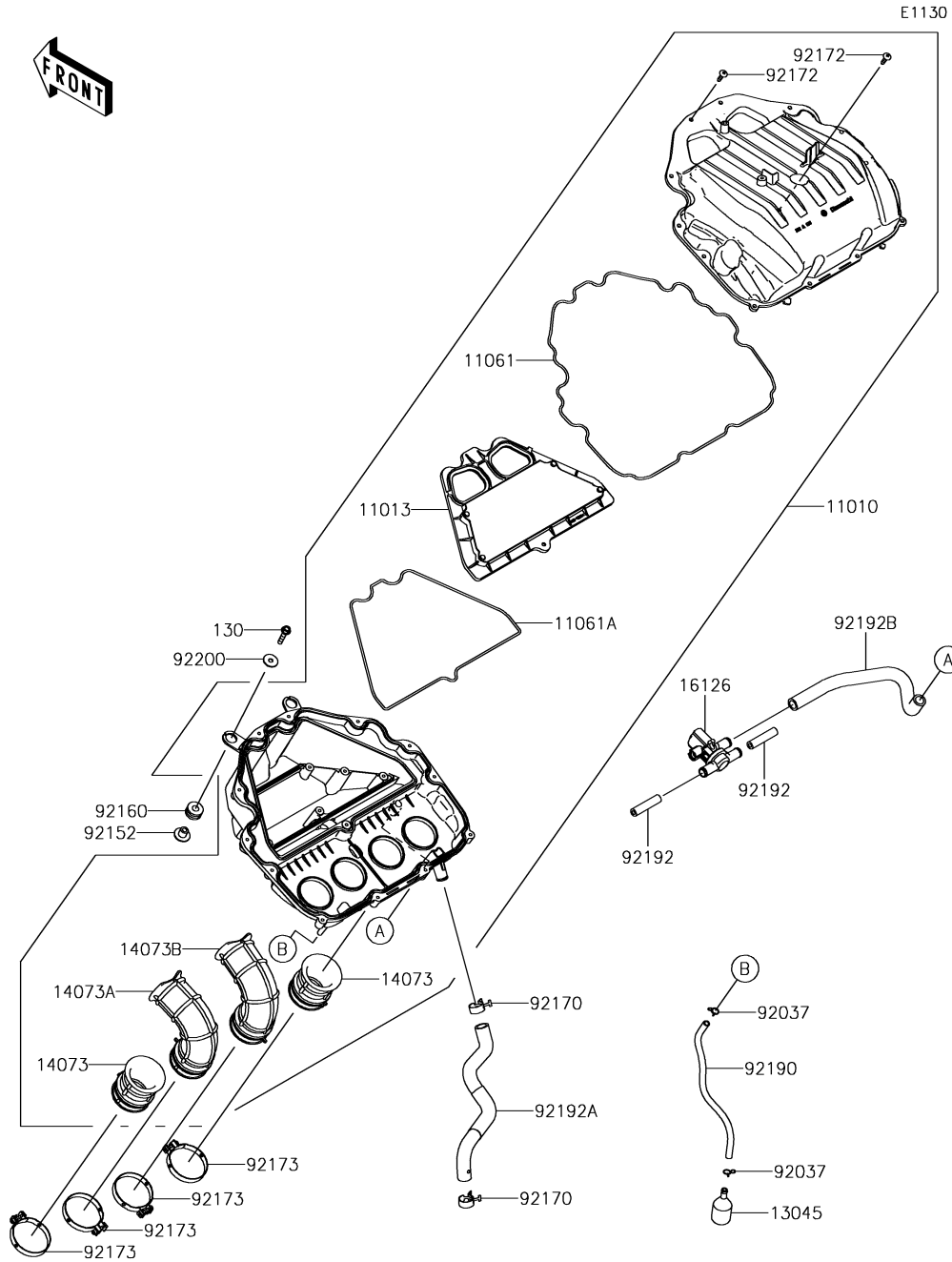
3. Cylinder/Piston(s)

E1120



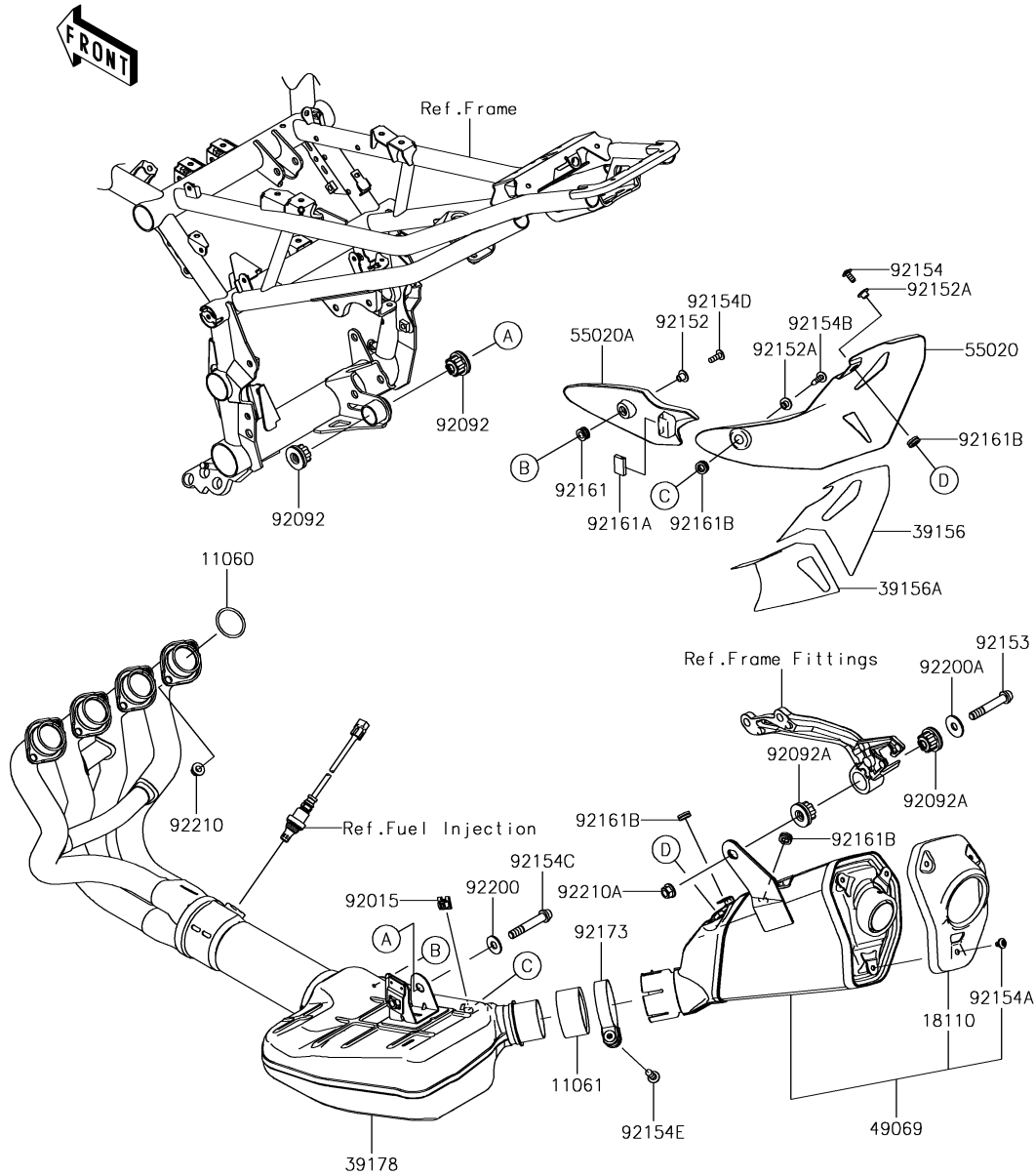
Ref. No.	Part No.	Description	Spec Code	Quantity			
				'18			
				BJF			
11005	11005-0672	CYLINDER-ENGINE					1
11061	11061-0402	GASKET,CYLINDER BASE					1
13001	13001-0788	PISTON-ENGINE					4
13002	13002-0004	PIN-PISTON					4
13008	13008-0571	RING-SET-PISTON					4
92022	92022-304	WASHER,6.2X11X1					1
92033	92033-1054	RING-SNAP					8
92151	92151-1344	BOLT,6X10					1

4. Air Cleaner



Ref. No.	Part No.	Description	Spec Code	Quantity			
				'18			
				BJJ			
11010	11010-0878	FILTER-ASSY-AIR			1		
11013	11013-0760	ELEMENT-AIR FILTER			1		
11061	11061-1215	GASKET,CASE			1		
11061A	11061-1216	GASKET,ELEMENT			1		
13045	13045-1057	RECEIVER-OIL			1		
14073	14073-0852	DUCT,#1,#4			2		
14073A	14073-0853	DUCT,#2			1		
14073B	14073-0854	DUCT,#3			1		
16126	16126-0745	VALVE,AIR SWITCHING			1		
92037	92037-1712	CLAMP			2		
92152	92152-0547	COLLAR,6.5X10.5X13.1			2		
92160	92160-1162	DAMPER			2		
92170	92170-1060	CLAMP			2		
92172	92172-0483	SCREW,TAPPING,5X20			13		
92173	92173-0927	CLAMP,58MM			4		
92190	92190-1253	TUBE,6X9X300			1		
92192	92192-0843	TUBE,HEAD-ASWV			2		
92192A	92192-1692	TUBE,BLOWBY			1		
92192B	92192-1693	TUBE,ASV-A/C			1		
92200	92200-1087	WASHER,6.5X22X1.6			2		
130	130BB0630	BOLT-FLANGED,6X30			2		

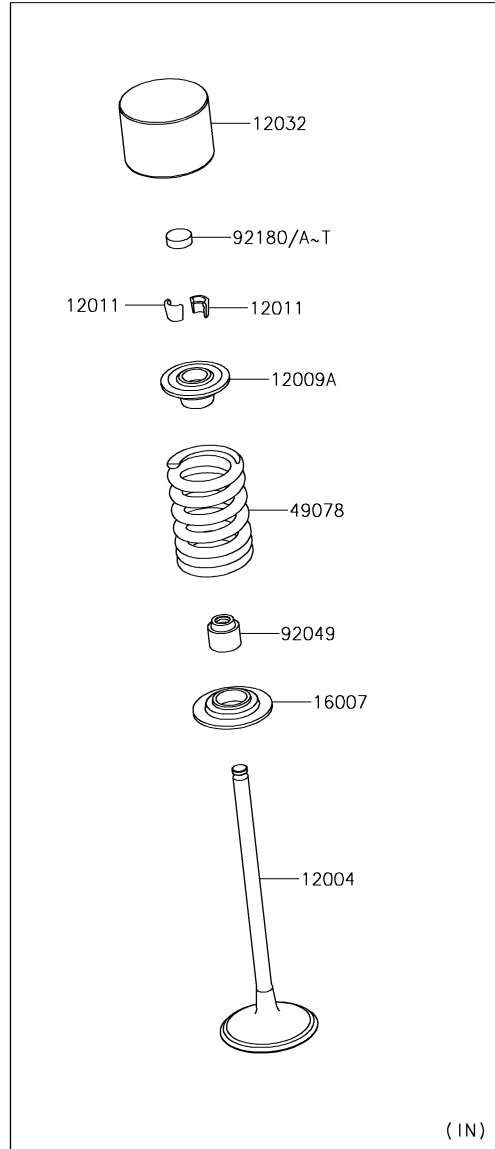
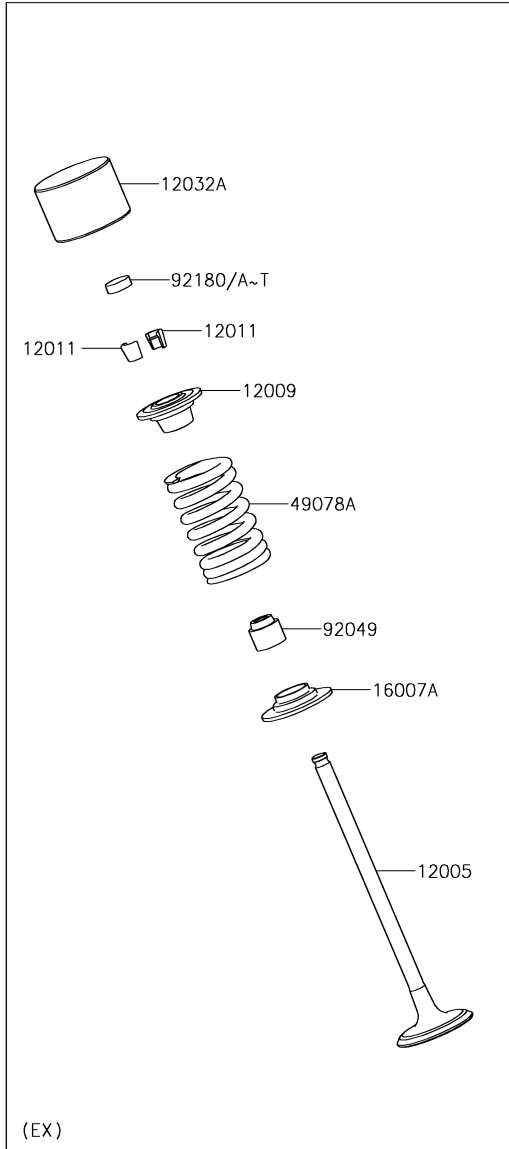
E1140



5. Muffler(s)

Ref. No.	Part No.	Description	Spec Code	Quantity			
				'18			
				BJF			
11060	11060-1103	GASKET,EXHAUST PIPE HOLDER			4		
11061	11061-0447	GASKET,50.8X62X30			1		
18110	18110-0196	BODY END-MUFFLER			1		
39156	39156-2130	PAD,MUFFLER GUARD			1		
39156A	39156-2131	PAD,MUFFLER GUARD			1		
39178	39178-0264	MANIFOLD-COMP-EXHAUST			1		
49069	49069-0823	MUFFLER-ASSY			1		
55020	55020-1966	GUARD,MUFFLER,RR			1		
55020A	55020-1967	GUARD,MUFFLER,FR			1		
92015	92015-1487	NUT			1		
92092	92092-1081	BUSHING-RUBBER			2		
92092A	92092-1087	BUSHING-RUBBER,MUFFLER			2		
92152	92152-0237	COLLAR,6.3X8.3X9.2			1		
92152A	92152-1602	COLLAR,6.3X8.3X7.2			2		
92153	92153-1837	BOLT,SOCKET,10X60			1		
92154	92154-0856	BOLT,SOCKET,6X14			1		
92154A	92154-0987	BOLT,HEX HEAD,6X8			3		
92154B	92154-1192	BOLT,SOCKET,6X27			1		
92154C	92154-1281	BOLT,SOCKET			1		
92154D	92154-2340	BOLT,SOCKET,6X18			1		
92154E	92154-2738	BOLT-FLANGED-SMALL,8X40			1		
92161	92161-0204	DAMPER			1		
92161A	92161-1228	DAMPER			1		
92161B	92161-1475	DAMPER			4		
92173	92173-0284	CLAMP,64.5MM			1		
92200	92200-1377	WASHER,10.5X25X2.0			1		
92200A	92200-1849	WASHER,10.5X30X2.3			1		
92210	92210-0076	NUT,8MM			8		
92210A	92210-1139	NUT,LOCK,FLANGED,10MM			1		

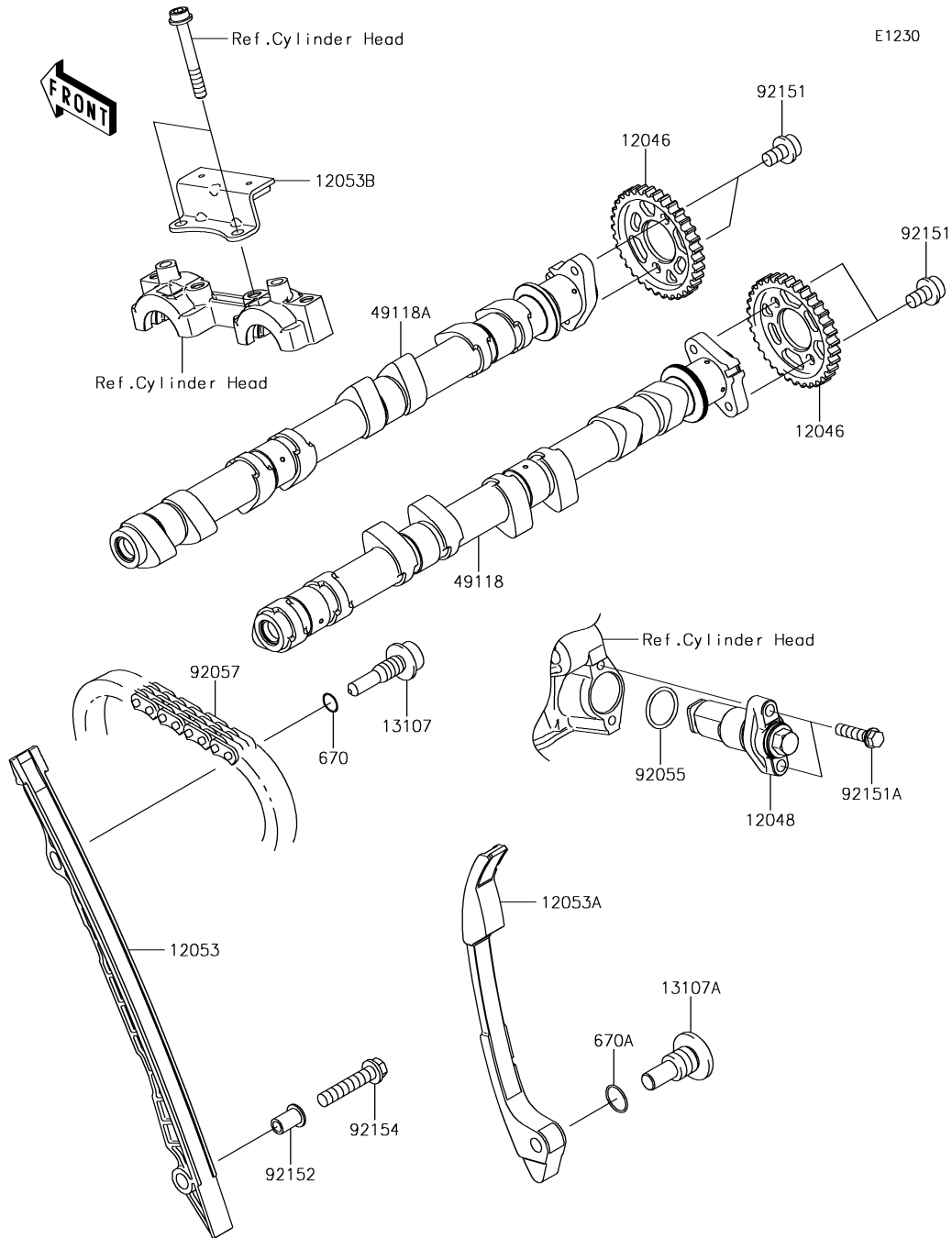
E1210



6. Valve(s)

Ref. No.	Part No.	Description	Spec Code	Quantity					
				'18					
				BJF					
12004	12004-0750	VALVE-INTAKE							8
12005	12005-0771	VALVE-EXHAUST							8
12009	12009-0030	RETAINER-VALVE SPRING							8
12009A	12009-1091	RETAINER-VALVE SPRING							8
12011	12011-1053	COLLET							32
12032	12032-0009	TAPPET							8
12032A	12032-0018	TAPPET							8
16007	16007-0034	SEAT-SPRING							8
16007A	16007-1227	SEAT-SPRING							8
49078	49078-0073	SPRING-ENGINE VALVE							8
49078A	49078-0743	SPRING-ENGINE VALVE							8
92049	92049-1349	SEAL-OIL,VSB 4.3 7.5 5.3 8.3							16
92180	92180-1014	SHIM,T=2.50							16
92180A	92180-1016	SHIM,T=2.55							AR
92180B	92180-1018	SHIM,T=2.60							AR
92180C	92180-1020	SHIM,T=2.65							AR
92180D	92180-1022	SHIM,T=2.70							AR
92180E	92180-1024	SHIM,T=2.75							AR
92180F	92180-1026	SHIM,T=2.80							AR
92180G	92180-1028	SHIM,T=2.85							AR
92180H	92180-1030	SHIM,T=2.90							AR
92180I	92180-1032	SHIM,T=2.95							AR
92180J	92180-1034	SHIM,T=3.00							AR
92180K	92180-1036	SHIM,T=3.05							AR
92180L	92180-1038	SHIM,T=3.10							AR
92180M	92180-1040	SHIM,T=3.15							AR
92180N	92180-1042	SHIM,T=3.20							AR
92180O	92180-1044	SHIM,T=3.25							AR
92180P	92180-1046	SHIM,T=3.30							AR
92180Q	92180-1048	SHIM,T=3.35							AR
92180R	92180-1050	SHIM,T=3.40							AR
92180S	92180-1052	SHIM,T=3.45							AR
92180T	92180-1054	SHIM,T=3.50							AR

'18 ZR900 BJJ



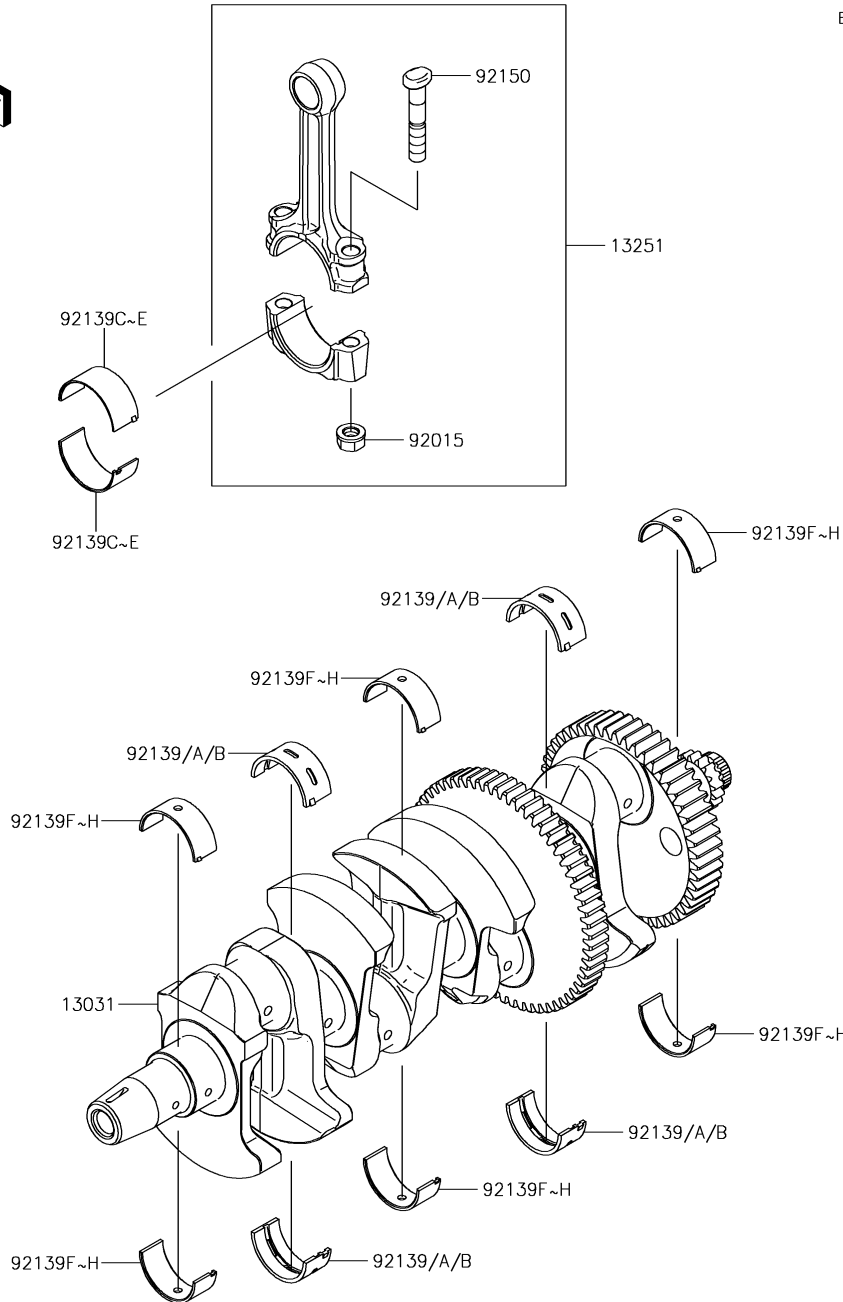
7. Camshaft(s)/Tensioner

Ref. No.	Part No.	Description	Spec Code	Quantity			
				'18			
				BJF			
12046	12046-0564	SPROCKET,CAMSHAFT,34T			2		
12048	12048-0080	TENSIONER-ASSY			1		
12053	12053-0161	GUIDE-CHAIN,FR			1		
12053A	12053-0162	GUIDE-CHAIN,RR			1		
12053B	12053-0163	GUIDE-CHAIN,UPP			1		
13107	13107-0157	SHAFT,CHAIN GUIDE			1		
13107A	13107-1376	SHAFT			1		
49118	49118-0941	CAMSHAFT-COMP,INTAKE			1		
49118A	49118-0942	CAMSHAFT-COMP,EXHAUST			1		
92055	92055-086	RING-O,18.8X1.9			1		
92057	92057-0202	CHAIN,98XRH2015-126M			1		
92151	92151-1829	BOLT,SOCKET,6X10			4		
92151A	92151-1930	BOLT,FLANGED-SMALL,6X25			2		
92152	92152-1167	COLLAR			1		
92154	92154-1942	BOLT,FLANGED,6X30			1		
670	670D1509	O RING,9MM			1		
670A	670D2014	O RING,14MM			1		

8. Crankshaft

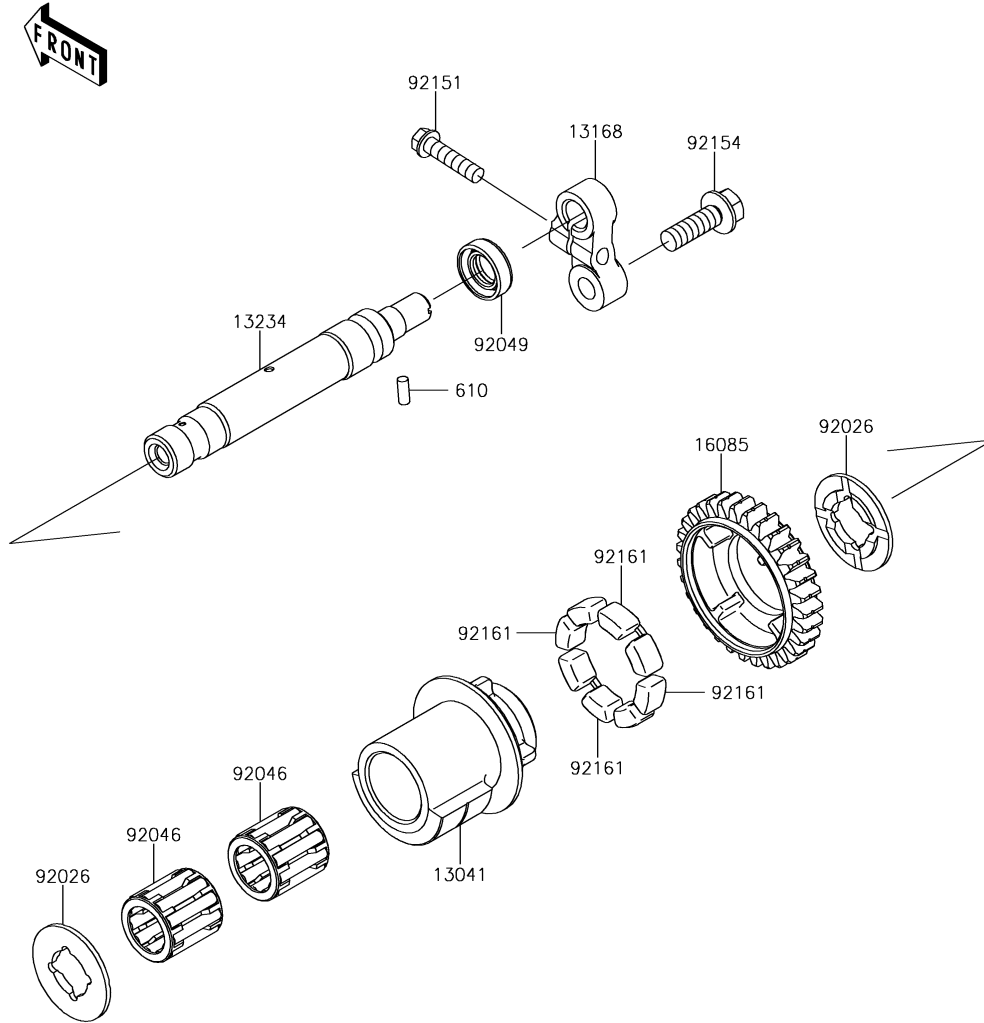


E1321



Ref. No.	Part No.	Description	Spec Code	Quantity			
				'18			
				BJF			
13031	13031-0851	CRANKSHAFT-COMP					1
13251	13251-0726-II	ROD-ASSY-CONNECTING,II					4
92015	92015-1311	NUT,FLANGED,8MM					8
92139	92139-0032	BUSHING,CRANK #2,BLUE					AR
92139A	92139-0033	BUSHING,CRANK #2,BLACK					4
92139B	92139-0034	BUSHING,CRANK #2,BROWN					AR
92139C	92139-0122	BUSHING,CRANK PIN,BLUE					AR
92139D	92139-0123	BUSHING,CRANK PIN,BLACK					8
92139E	92139-0124	BUSHING,CRANK PIN,BROWN					AR
92139F	92139-0217	BUSHING,CRANK,#1,BLUE					AR
92139G	92139-0218	BUSHING,CRANK,#1,BLACK					6
92139H	92139-0219	BUSHING,CRANK,#1,BROWN					AR
92150	92150-1216	BOLT,CONNECTING ROD,8MM					8

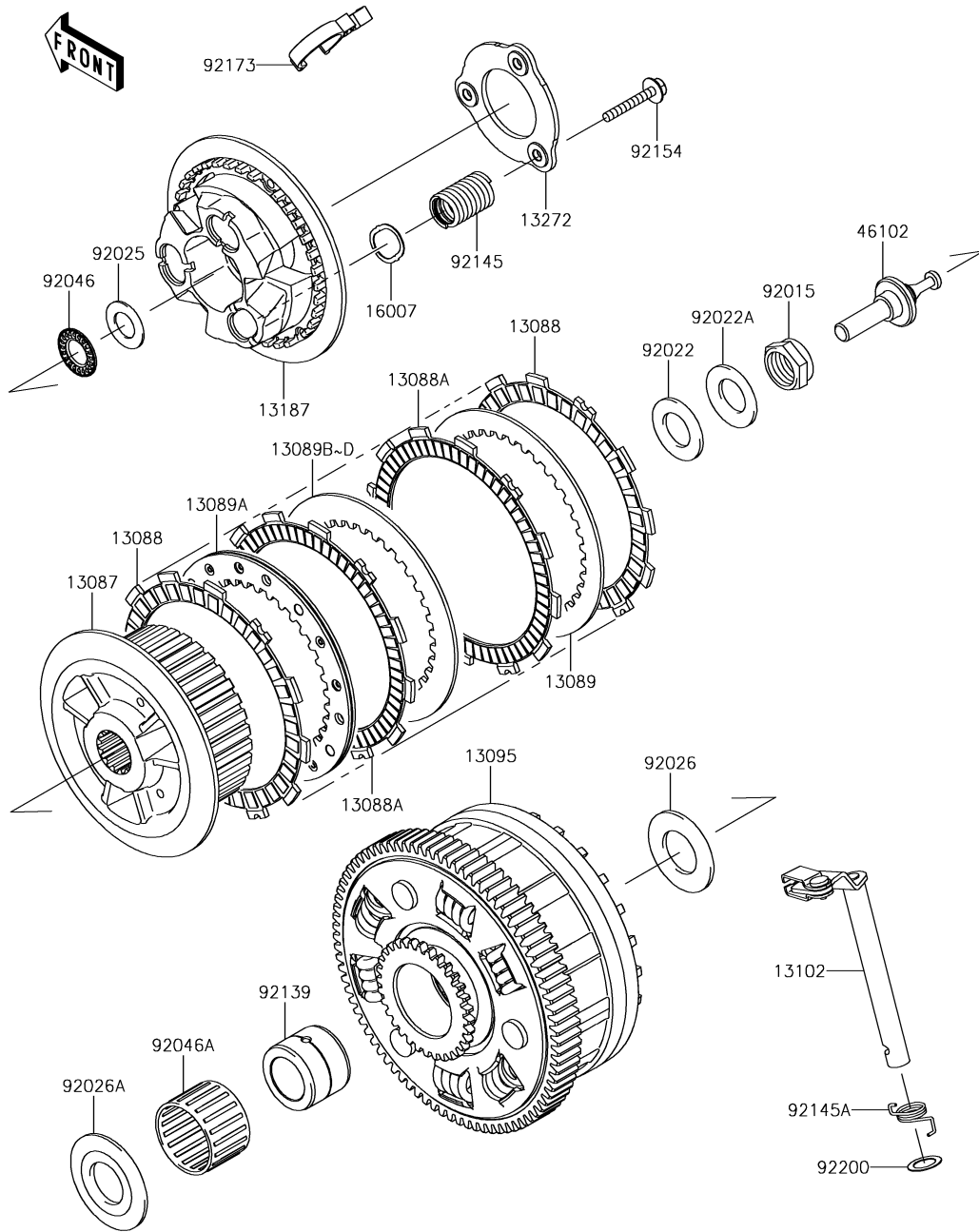
E1323



9. Balancer

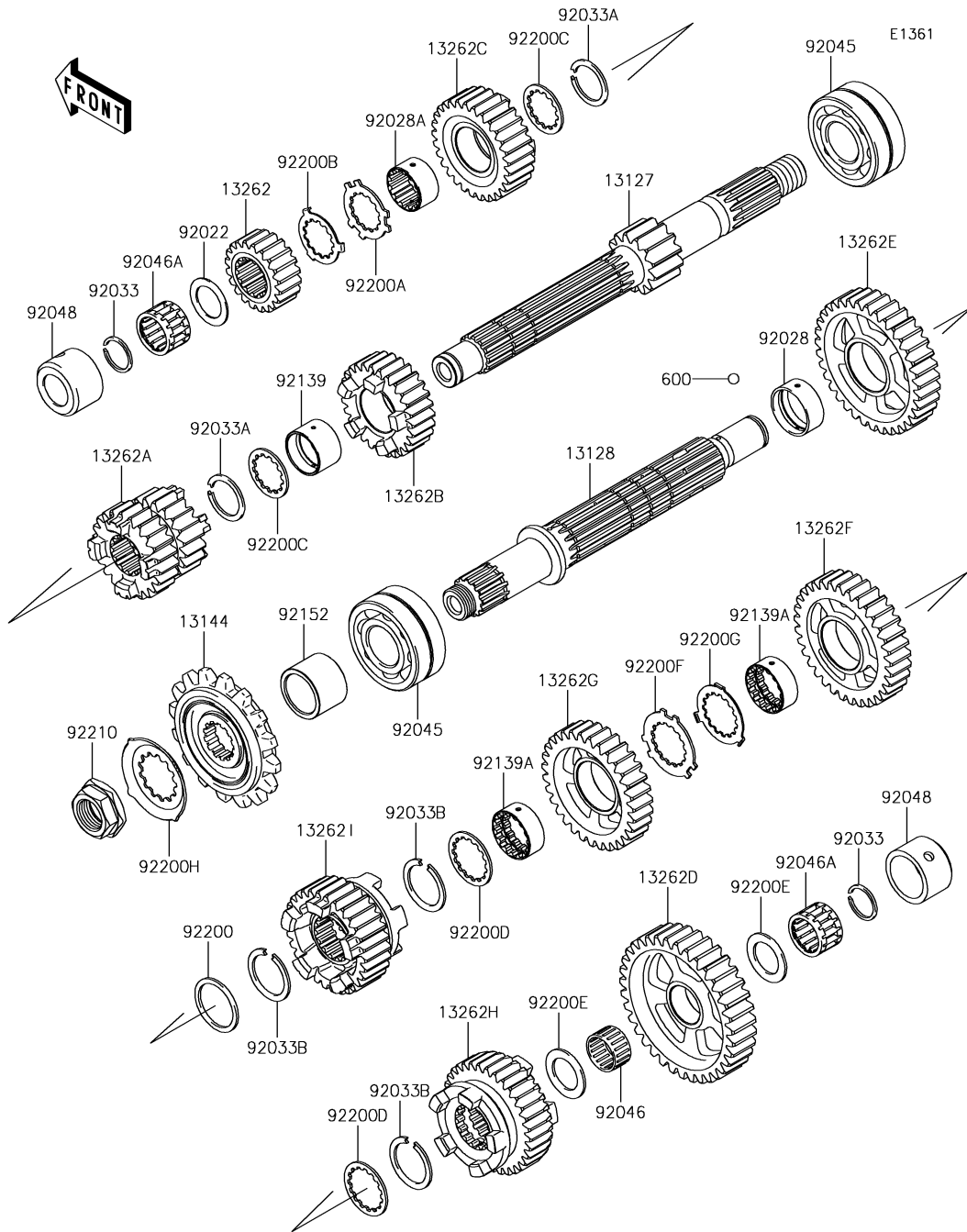
Ref. No.	Part No.	Description	Spec Code	Quantity					
				'18					
				BJF					
13041	13041-0559	BALANCER							1
13168	13168-0115	LEVER							1
13234	13234-0038	SHAFT-COMP							1
16085	16085-0134	GEAR,BALANCER,31T							1
92026	92026-0082	SPACER							2
92046	92046-1266	BEARING-NEEDLE							2
92049	92049-2204	SEAL-OIL,TC 12X22X7							1
92151	92151-1930	BOLT,FLANGED-SMALL,6X25							1
92154	92154-0413	BOLT,FLANGED,8X25							1
92161	92161-1055	DAMPER							4
610	610A0410	ROLLER,4X10							1

E1350



10. Clutch

Ref. No.	Part No.	Description	Spec Code	Quantity			
				'18			
				BJF			
13087	13087-0583	HUB-CLUTCH			1		
13088	13088-0568	PLATE-FRICTION			2		
13088A	13088-0588	PLATE-FRICTION,T=2.8			7		
13089	13089-0023	PLATE-CLUTCH,T=2.3			1		
13089A	13089-0024	PLATE-CLUTCH,SPG COMP			1		
13089B	13089-1073	PLATE-CLUTCH,T=2.0			AR		
13089C	13089-1084	PLATE-CLUTCH,T=2.3			6		
13089D	13089-1115	PLATE-CLUTCH,T=2.6			AR		
13095	13095-0118	HOUSING-COMP-CLUTCH			1		
13102	13102-0072	RELEASE-COMP-CLUTCH			1		
13187	13187-0031	PLATE-CLUTCH OPERATING			1		
13272	13272-1413	PLATE			1		
16007	16007-0711	SEAT-SPRING			3		
46102	46102-0621	ROD			1		
92015	92015-1555	NUT,20MM			1		
92022	92022-1116	WASHER,20.3X36X2.3			1		
92022A	92022-1868	WASHER,20.3X36X3.7			1		
92025	92025-1137	SHIM,15.3X27.5X1.20			1		
92026	92026-022	SPACER,25.5X47X2.5			1		
92026A	92026-1497	SPACER			1		
92046	92046-1052	BEARING-NEEDLE,AXK1102			1		
92046A	92046-1263	BEARING-NEEDLE,K38X43X28.8X			1		
92139	92139-0067	BUSHING,25X38X29.05			1		
92145	92145-1745	SPRING			3		
92145A	92145-1769	SPRING,RELEASE-COMP			1		
92154	92154-1116	BOLT,FLANGED,6X35			3		
92173	92173-1724	CLAMP			1		
92200	92200-1487	WASHER,12X18.5X0.5			1		

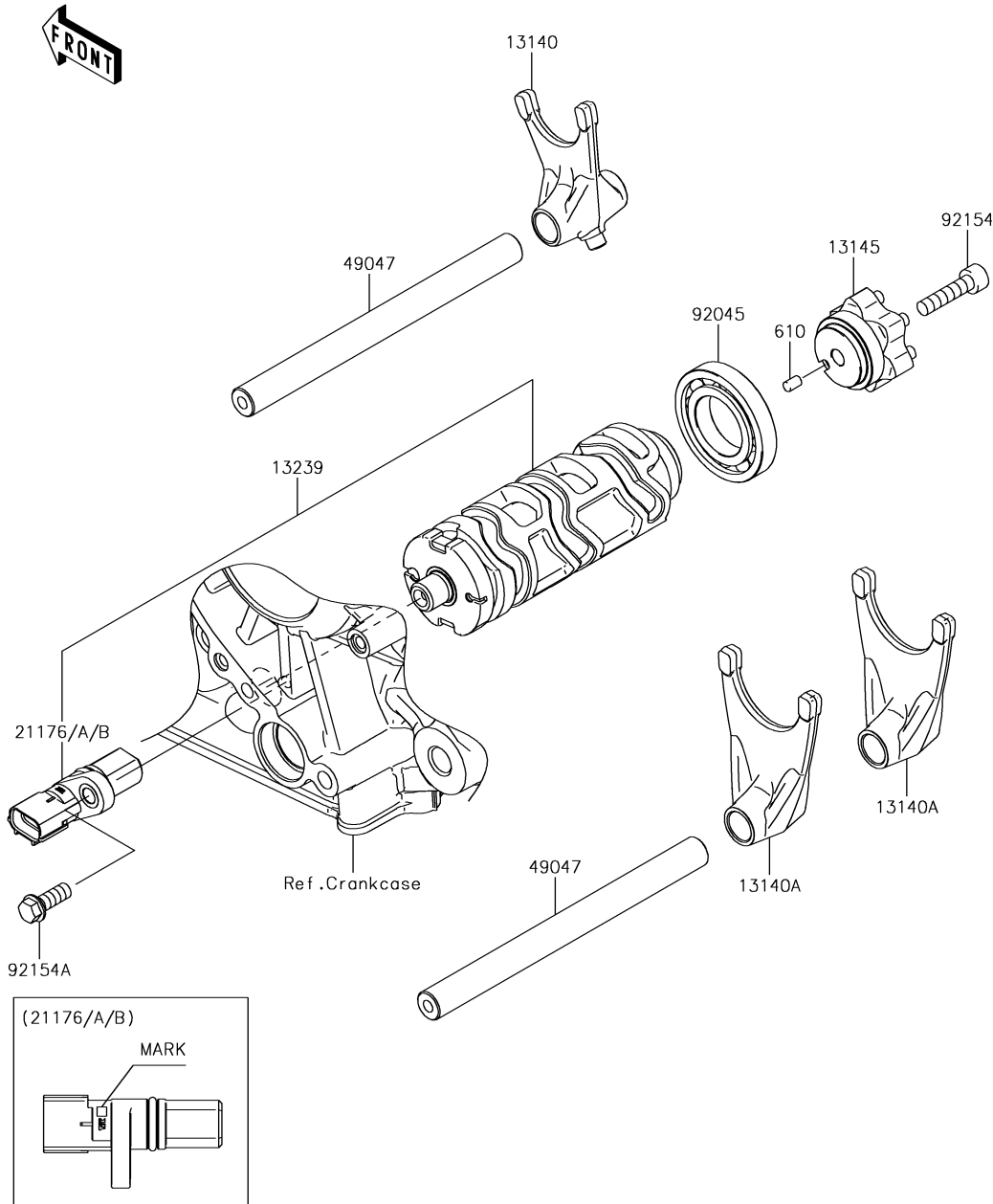


11. Transmission

Ref. No.	Part No.	Description	Spec Code	Quantity			
				'18			
				BJF			
13127	13127-0674	SHAFT-TRANSMISSION INPUT,13T			1		
13128	13128-0698	SHAFT-TRANSMISSION OUTPUT			1		
13144	13144-0579	SPROCKET-OUTPUT,15T			1		
13262	13262-1233	GEAR,INPUT 2ND,17T			1		
13262A	13262-1234	GEAR,INPUT 3RD&4TH,20T&22T			1		
13262B	13262-1235	GEAR,INPUT 5TH,27T			1		
13262C	13262-1236	GEAR,INPUT 6TH,29T			1		
13262D	13262-1237	GEAR,OUTPUT LOW,35T			1		
13262E	13262-1238	GEAR,OUTPUT 2ND,35T			1		
13262F	13262-1239	GEAR,OUTPUT 3RD,33T			1		
13262G	13262-1240	GEAR,OUTPUT 4TH,31T			1		
13262H	13262-1241	GEAR,OUTPUT 5TH,33T			1		
13262I	13262-1242	GEAR,OUTPUT 6TH,30T			1		
92022	92022-112	WASHER,20.5X30X1,STEEL			1		
92028	92028-1739	BUSHING,OUTPUT,2ND			1		
92028A	92028-1915	BUSHING,INPUT TOP GEAR			1		
92033	92033-015	RING-SNAP,20MM			2		
92033A	92033-026	RING-SNAP,24MM			2		
92033B	92033-1249	RING-SNAP,T=1.5			3		
92045	92045-0003	BEARING-BALL,DAC2557NSSH			2		
92046	92046-1219	BEARING-NEEDLE,K20X24X13			1		
92046A	92046-1303	BEARING-NEEDLE,PK20X27X17X3			2		
92048	92048-0016	RACE			2		
92139	92139-0280	BUSHING,25X28X17.8			1		
92139A	92139-0281	BUSHING,OUTPUT,3RD&4TH			2		
92152	92152-2263	COLLAR,SPROCKET			1		
92200	92200-0228	WASHER,28.1X34.0X1.6			1		
92200A	92200-0520	WASHER,25.2X34.2X1.5			1		
92200B	92200-0521	WASHER,25.2X32X1			1		
92200C	92200-1239	WASHER,25.2X31.0X1.5			2		
92200D	92200-1240	WASHER,28.5X34.0X1.5			2		
92200E	92200-1375	WASHER,20.5X31X1.5			2		
92200F	92200-1522	WASHER,25.8X40.5X1.5			1		
92200G	92200-1523	WASHER,25.2X37.0X1.0			1		
92200H	92200-1720	WASHER			1		
92210	92210-0850	NUT,20MM			1		
600	600A0500	BALL-STEEL,5/32			3		

E1362

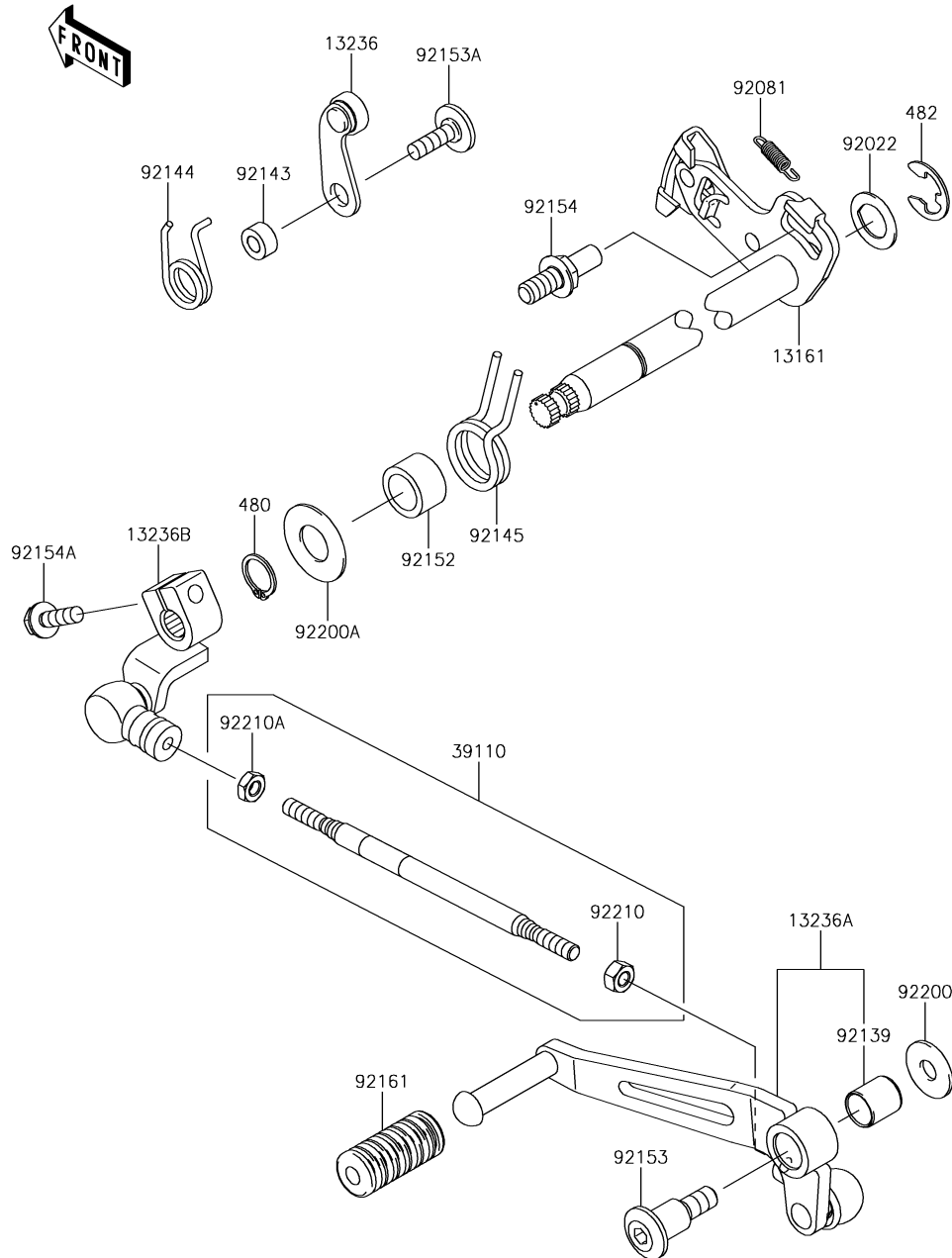
12. Gear Change Drum/Shift Fork(s)



Ref. No.	Part No.	Description	Spec Code	Quantity			
				'18			
				BJF			
13140	13140-0061	FORK-SHIFT					1
13140A	13140-0062	FORK-SHIFT					2
13145	13145-0568	CAM-CHANGE DRUM					1
13239	13239-0581	DRUM-ASSY-CHANGE					1
21176	21176-0825	SENSOR,GEAR POSITION,M MARK					1
21176A	21176-0845	SENSOR,GEAR POSITION,H MARK					1
21176B	21176-0846	SENSOR,GEAR POSITION,L MARK					1
49047	49047-0023	ROD-SHIFT					2
92045	92045-1045	BEARING-BALL,16005					1
92154	92154-0477	BOLT,SOCKET,6X25					1
92154A	92154-2096	BOLT,FLANGED,6X16					1
610	610A0406	ROLLER,4X6					1

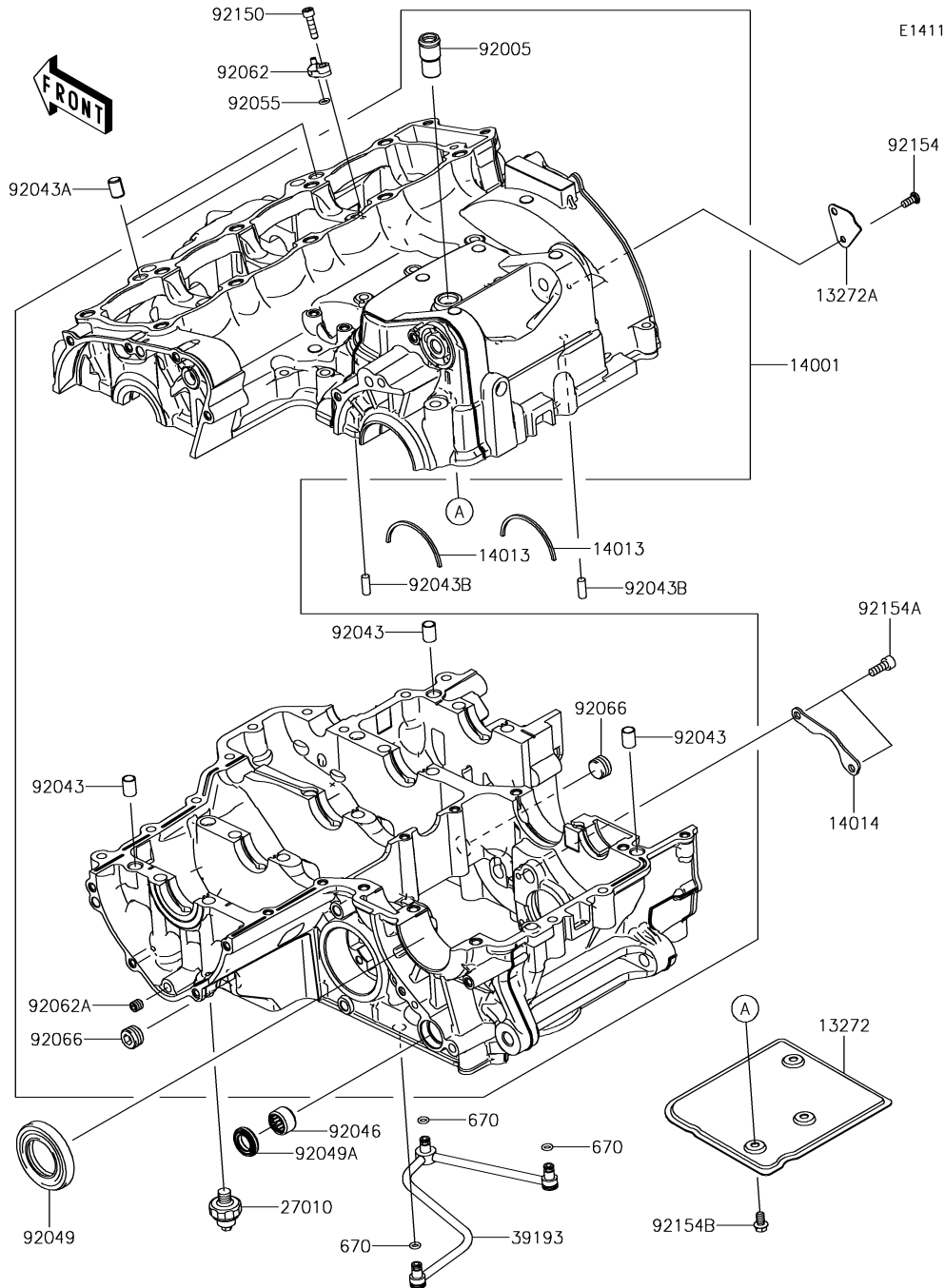
'18 ZR900 BJJ

E1370



13. Gear Change Mechanism

Ref. No.	Part No.	Description	Spec Code	Quantity			
				'18			
				BJF			
13161	13161-0592	LEVER-COMP-CHANGE SHAFT					1
13236	13236-0068	LEVER-COMP					1
13236A	13236-0783	LEVER-COMP,CHANGE PEDAL					1
13236B	13236-0784	LEVER-COMP,ENGINE SIDE					1
39110	39110-0033	ROD-ASSY-TIE					1
92022	92022-1628	WASHER,CHANGE SHAFT					1
92081	92081-1708	SPRING,PAWL RETURN					1
92139	92139-0023	BUSHING					1
92143	92143-1595	COLLAR					1
92144	92144-1523	SPRING,GEAR POSITION					1
92145	92145-1122	SPRING					1
92152	92152-1383	COLLAR,14.2X19.9X12.0					1
92153	92153-0446	BOLT,SOCKET,8X16.7					1
92153A	92153-1505	BOLT,6X20					1
92154	92154-1838	BOLT,RETURN SPRING					1
92154A	92154-2090	BOLT,FLANGED,6X20					1
92161	92161-1300	DAMPER,CHANGE PEDAL					1
92200	92200-0174	WASHER,8.0X22.0X1.5					1
92200A	92200-0265	WASHER					1
92210	92210-1100	NUT,6MM					1
92210A	92210-1101	NUT,LEFT HANDED,6MM					1
480	480J1400	CIRCLIP-TYPE-C,14MM					1
482	482J0200	CIRCLIP-TYPE-E,12MM					1



14. Crankcase

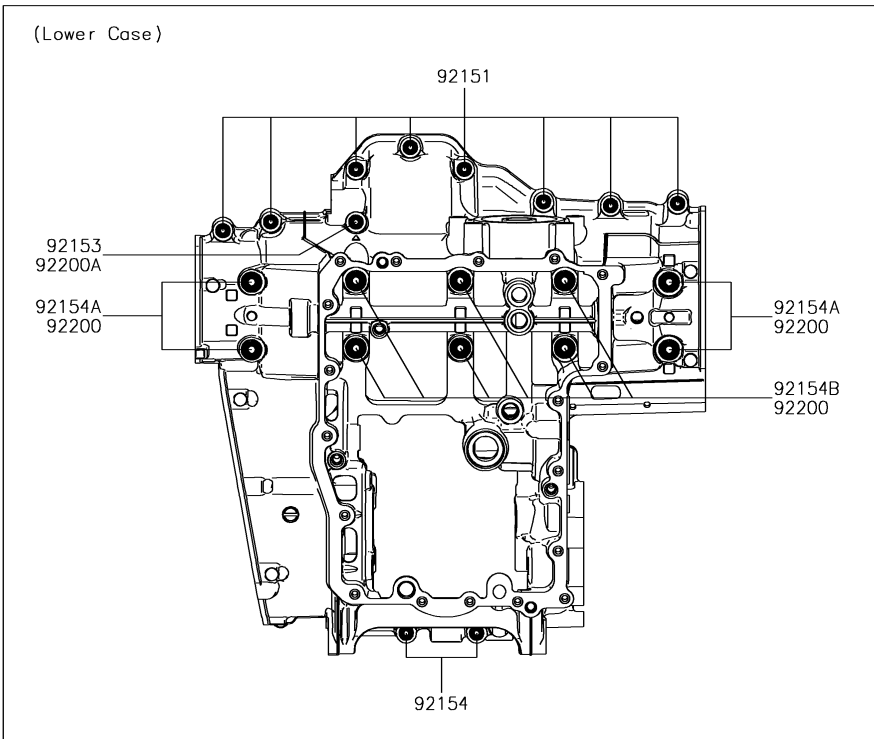
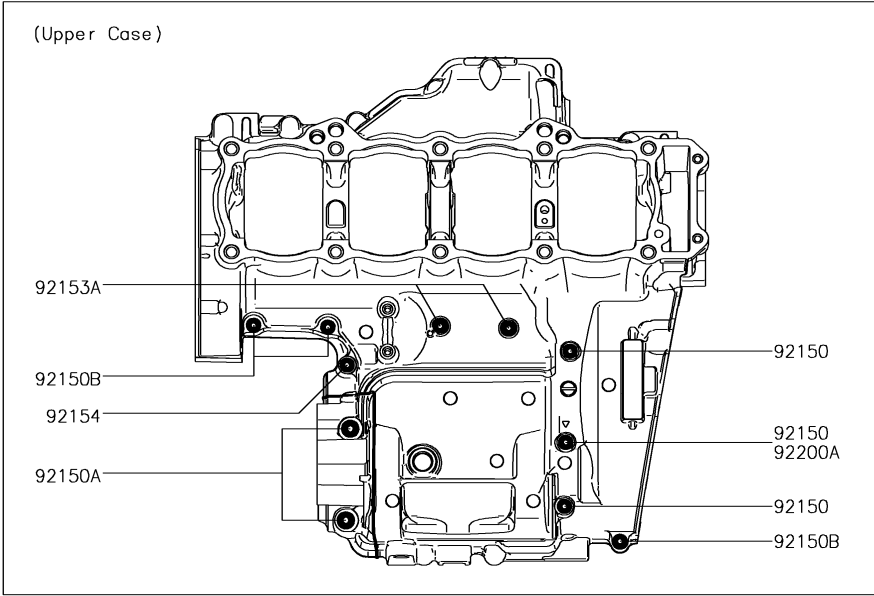
Ref. No.	Part No.	Description	Spec Code	Quantity			
				'18			
				BJF			
13272	13272-0698	PLATE,BREATHER,UPP			1		
13272A	13272-0699	PLATE,BREATHER,SIDE			1		
14001	14001-0668	SET-CRANKCASE			1		
14013	14013-1051	RING-POSITION			2		
14014	14014-0036	PLATE-POSITION			1		
27010	27010-1313	SWITCH,OIL PRESSURE			1		
39193	39193-0054	PIPE-OIL			1		
92005	92005-1238	FITTING,BREATHER			1		
92043	92043-1037	PIN,DOWEL,10X14			3		
92043A	92043-1264	PIN,8.2X10X14			2		
92043B	92043-1690	PIN,6X16			2		
92046	92046-0043	BEARING-NEEDLE,HK1412FM			1		
92049	92049-1474	SEAL-OIL,TC32578			1		
92049A	92049-1520	SEAL-OIL,TC14245			1		
92055	92055-1339	RING-O,5.5X1.5			1		
92062	92062-0040	NOZZLE,OIL JET			1		
92062A	92062-0046	NOZZLE			1		
92066	92066-0836	PLUG			2		
92150	92150-1019	BOLT,SOCKET,5X20			1		
92154	92154-0299	BOLT,TORX,5X12			1		
92154A	92154-0484	BOLT,SOCKET,6X16			2		
92154B	92154-1887	BOLT,FLANGED,6X10			3		
670	670D1505	O RING			3		

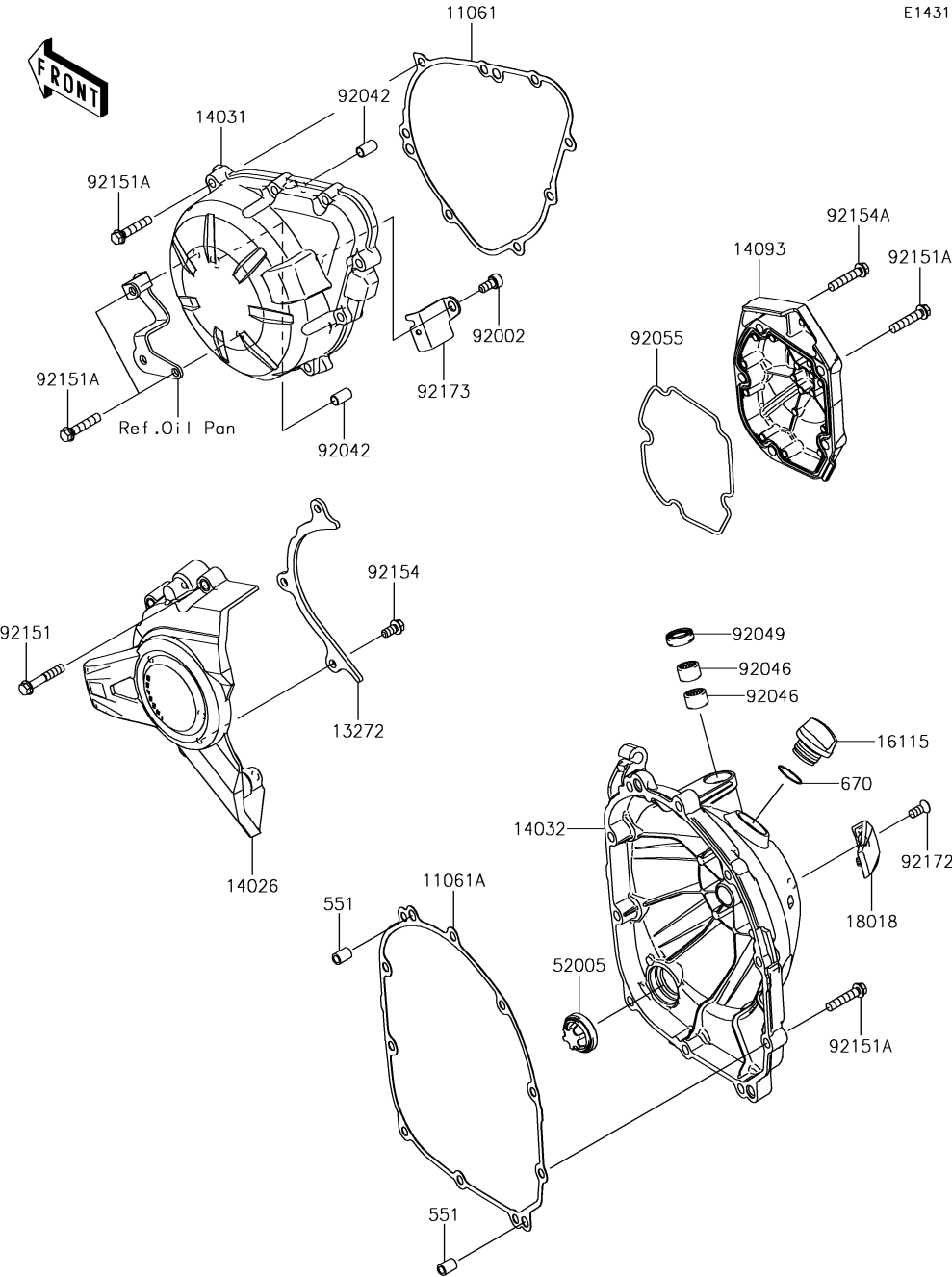
15. Crankcase Bolt Pattern

E1412

Ref. No.	Part No.	Description	Spec Code	Quantity			
				'18			
				BJF			

92150	92150-1251	BOLT,FLANGED,7X85					3
92150A	92150-1483	BOLT,8X70					2
92150B	92150-1794	BOLT,6X40					3
92151	92151-1539	BOLT,FLANGED,7X45					8
92153	92153-1045	BOLT,FLANGED,7X60					1
92153A	92153-1637	BOLT,FLANGED,6X68					2
92154	92154-0372	BOLT,FLANGED,7X50					3
92154A	92154-2639	BOLT,FLANGED,9X100					4
92154B	92154-2640	BOLT,FLANGED,9X90					6
92200	92200-0115	WASHER,9.2X19X2.3					10
92200A	92200-0556	WASHER					2

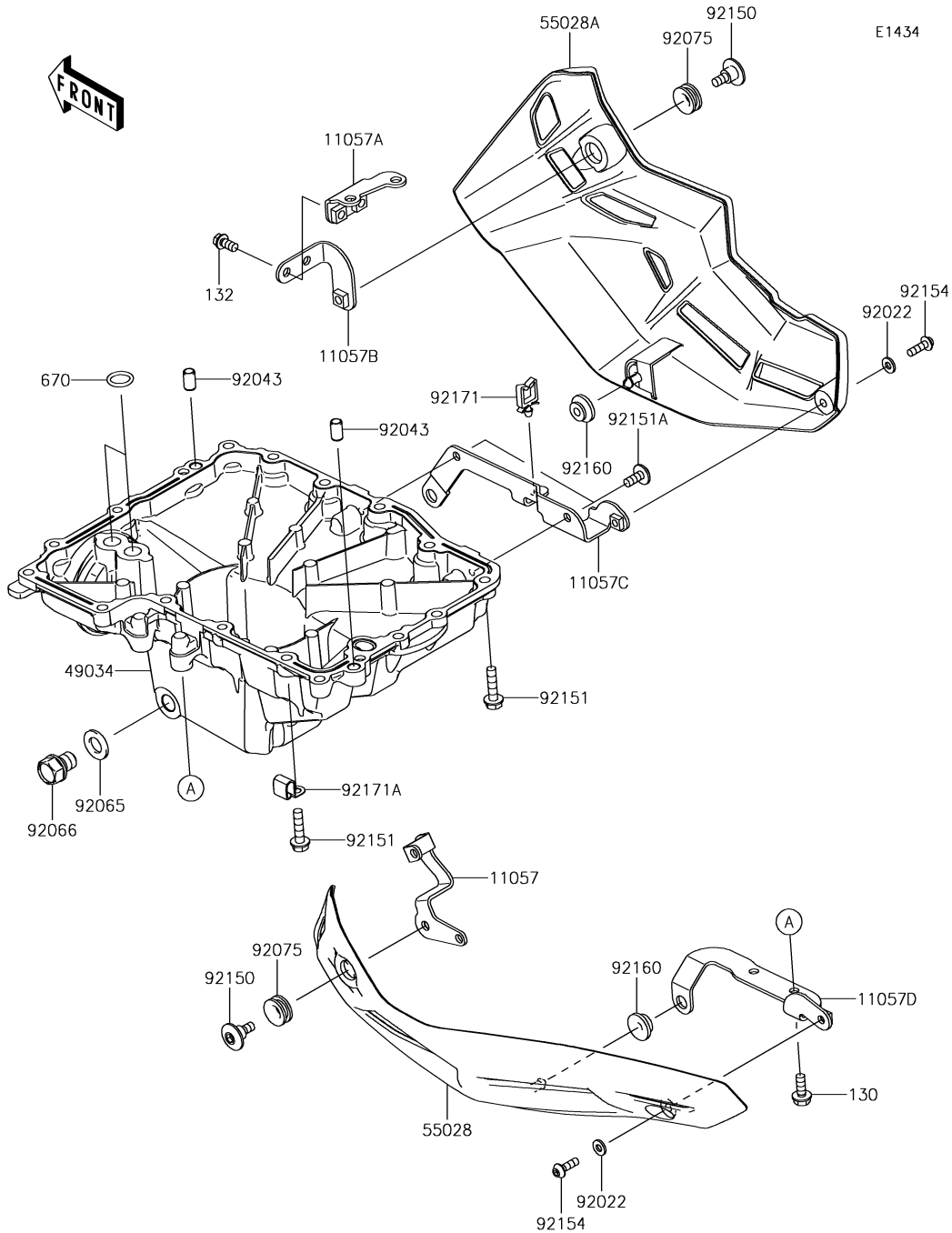




E1431

16. Engine Cover(s)

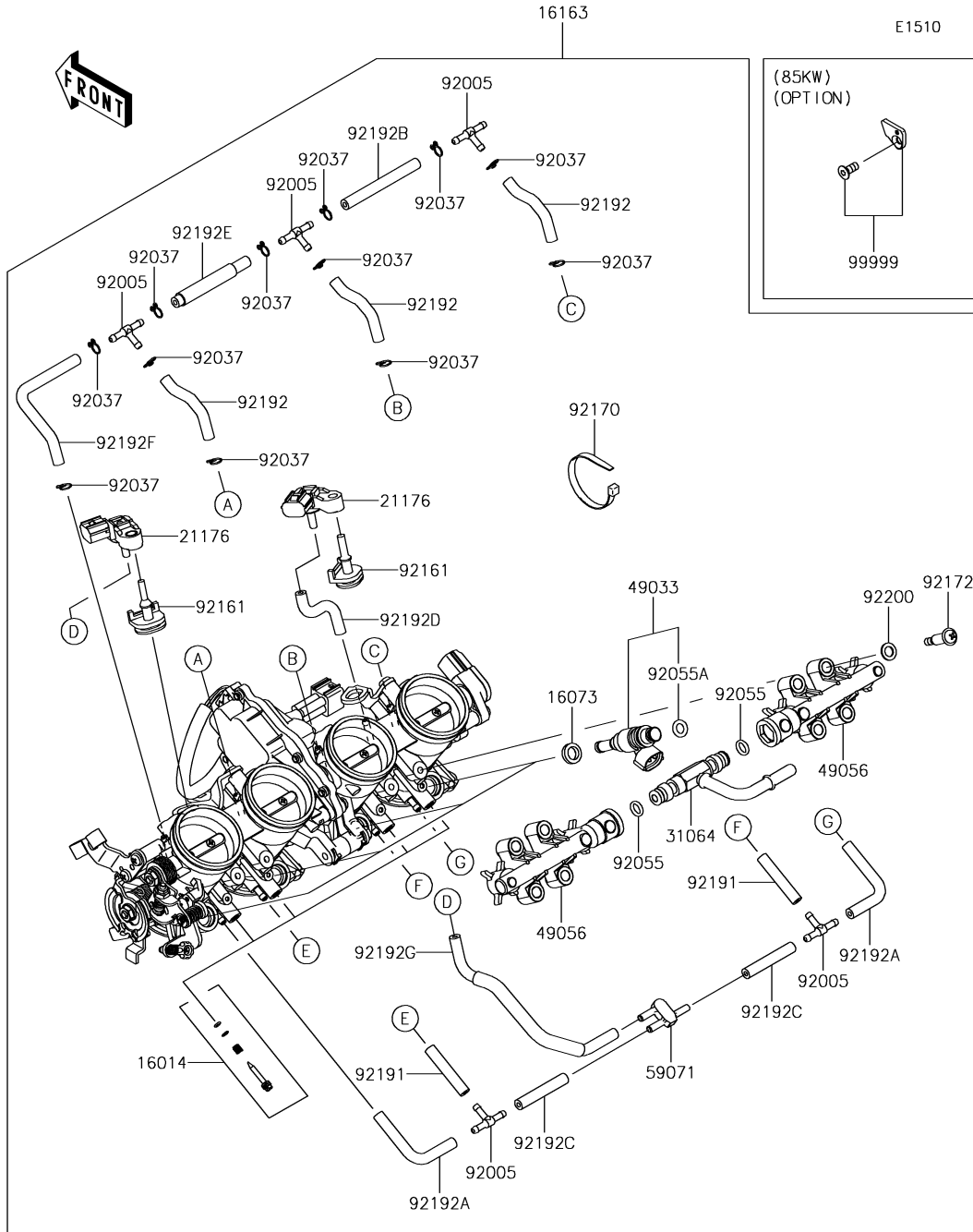
Ref. No.	Part No.	Description	Spec Code	Quantity			
				'18			
				BJJ			
11061	11061-0403	GASKET,GENERATOR COVER			1		
11061A	11061-0404	GASKET,CLUTCH COVER			1		
13272	13272-2238	PLATE			1		
14026	14026-0132	COVER-CHAIN			1		
14031	14031-0611	COVER-GENERATOR			1		
14032	14032-0630	COVER-CLUTCH			1		
14093	14093-0519	COVER,PULSER			1		
16115	16115-1053	CAP-OIL FILLER			1		
18018	18018-0603	PLATE-HEAT GUARD			1		
52005	52005-1120	GAUGE			1		
92002	92002-1796	BOLT,SOCKET,6X12			1		
92042	92042-007	PIN,DOWEL,6.3X8X14			2		
92046	92046-0034	BEARING-NEEDLE,HK1210FM			2		
92049	92049-1475	SEAL-OIL,CLUTCH RELEASE			1		
92055	92055-0199	RING-O,PULSER COVER			1		
92151	92151-1135	BOLT,6X35			4		
92151A	92151-1873	BOLT,6X30			22		
92154	92154-1888	BOLT,FLANGED-SMALL,6X12			3		
92154A	92154-2652	BOLT,6X30			1		
92172	92172-0901	SCREW,TORX,6X14			1		
92173	92173-1321	CLAMP			1		
551	551A0814	PIN-DOWEL,8X14			2		
670	670B2020	O RING,20MM			1		



17. Oil Pan

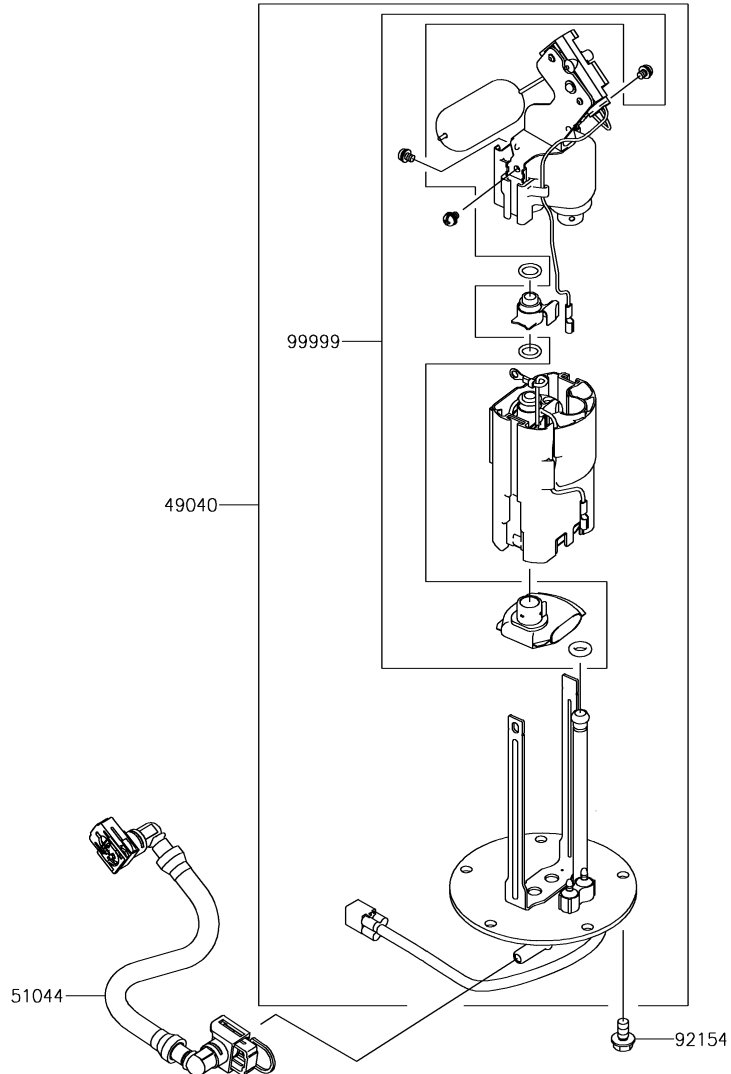
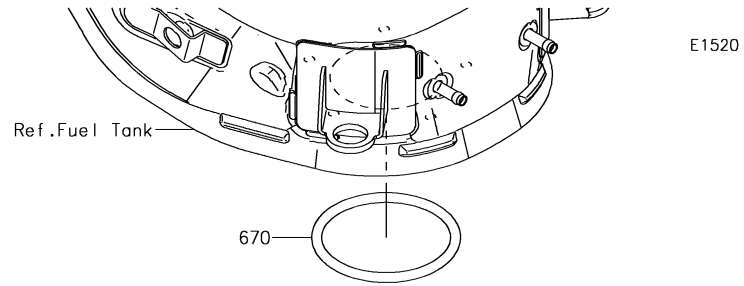
Ref. No.	Part No.	Description	Spec Code	Quantity			
				'18			
				BJF			
11057	11057-0291	BRACKET,LWR COWLING,LH,FR			1		
11057A	11057-0293	BRACKET,LWR COWLING,RH,FR			1		
11057B	11057-0294	BRACKET,LWR COWLING,RH,FR			1		
11057C	11057-0295	BRACKET,LWR COWLING,RH,RR			1		
11057D	11057-0874	BRACKET,LWR COWLING,LH,RR			1		
49034	49034-0049	PAN-OIL			1		
55028	55028-5482-739	COWLING,LWR,LH,M.F.S.BLACK			1		
55028A	55028-5483-739	COWLING,LWR,RH,M.F.S.BLACK			1		
92022	92022-1521	WASHER,NYLON,5.3X11.5X1.5			2		
92043	92043-1263	PIN,6.2X8X14			2		
92065	92065-097	GASKET,12X22X2			1		
92066	92066-0079	PLUG,12X15			1		
92075	92075-1634	DAMPER			2		
92150	92150-1154	BOLT,SOCKET,6MM			2		
92151	92151-1225	BOLT,FLANGED,6X25			18		
92151A	92151-1654	BOLT,SOCKET,6X14			2		
92154	92154-0287	BOLT,SOCKET,5X16			2		
92160	92160-1613	DAMPER			2		
92171	92171-0290	CLAMP			1		
92171A	92171-0534	CLAMP			1		
130	130CC0616	BOLT-FLANGED,6X16			2		
132	132BA0612	BOLT-FLANGED-SMALL,6X12			2		
670	670D2014	O RING,14MM			2		

'18 ZR900 BJJ



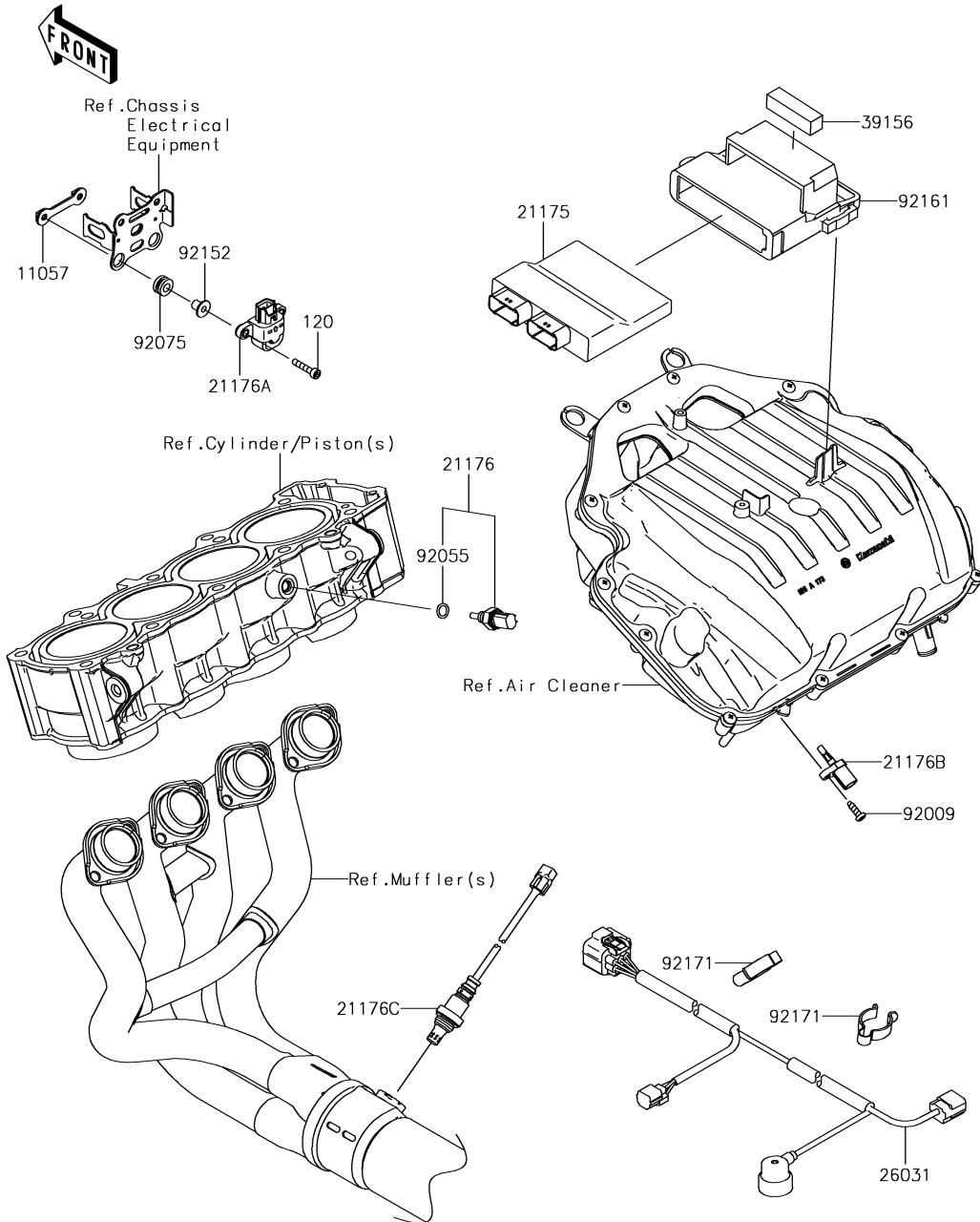
18. Throttle

Ref. No.	Part No.	Description	Spec Code	Quantity			
				'18			
				BJJ			
16014	16014-0017	SCREW-PILOT AIR			4		
16073	16073-1123	INSULATOR,INJECTER			4		
16163	16163-0896	THROTTLE-ASSY			1		
21176	21176-0111	SENSOR,PRESSURE			2		
31064	31064-0692	PIPE-COMP			1		
49033	49033-0034	NOZZLE-INJECTION			4		
49056	49056-0049	PIPE-INJECTION			2		
59071	59071-0022	JOINT			1		
92005	92005-1380	FITTING			5		
92037	92037-1124	CLAMP,TUBE			12		
92055	92055-0761	RING-O			2		
92055A	92055-2187	RING-O,REGULATOR-FUEL			4		
92161	92161-0673	DAMPER			2		
92170	92170-3749	CLAMP			1		
92172	92172-0828	SCREW,PIPE INJECTION			4		
92191	92191-1551	TUBE,3.2X7.4X40			2		
92192	92192-1349	TUBE,3.5X7.5X55			3		
92192A	92192-1446	TUBE,3.2X7.4X75			2		
92192B	92192-1447	TUBE,3.5X7.5X70			1		
92192C	92192-1617	TUBE,3.2X7.4X45			2		
92192D	92192-1802	TUBE,3.2X7.4X55			1		
92192E	92192-1803	TUBE,3.5X7.5X70			1		
92192F	92192-1804	TUBE,3.5X7.5X115			1		
92192G	92192-1805	TUBE,3.2X7.4X175			1		
92200	92200-3807	WASHER			4		
99999	99999-0598	KIT,85KW (OPTION)			1		



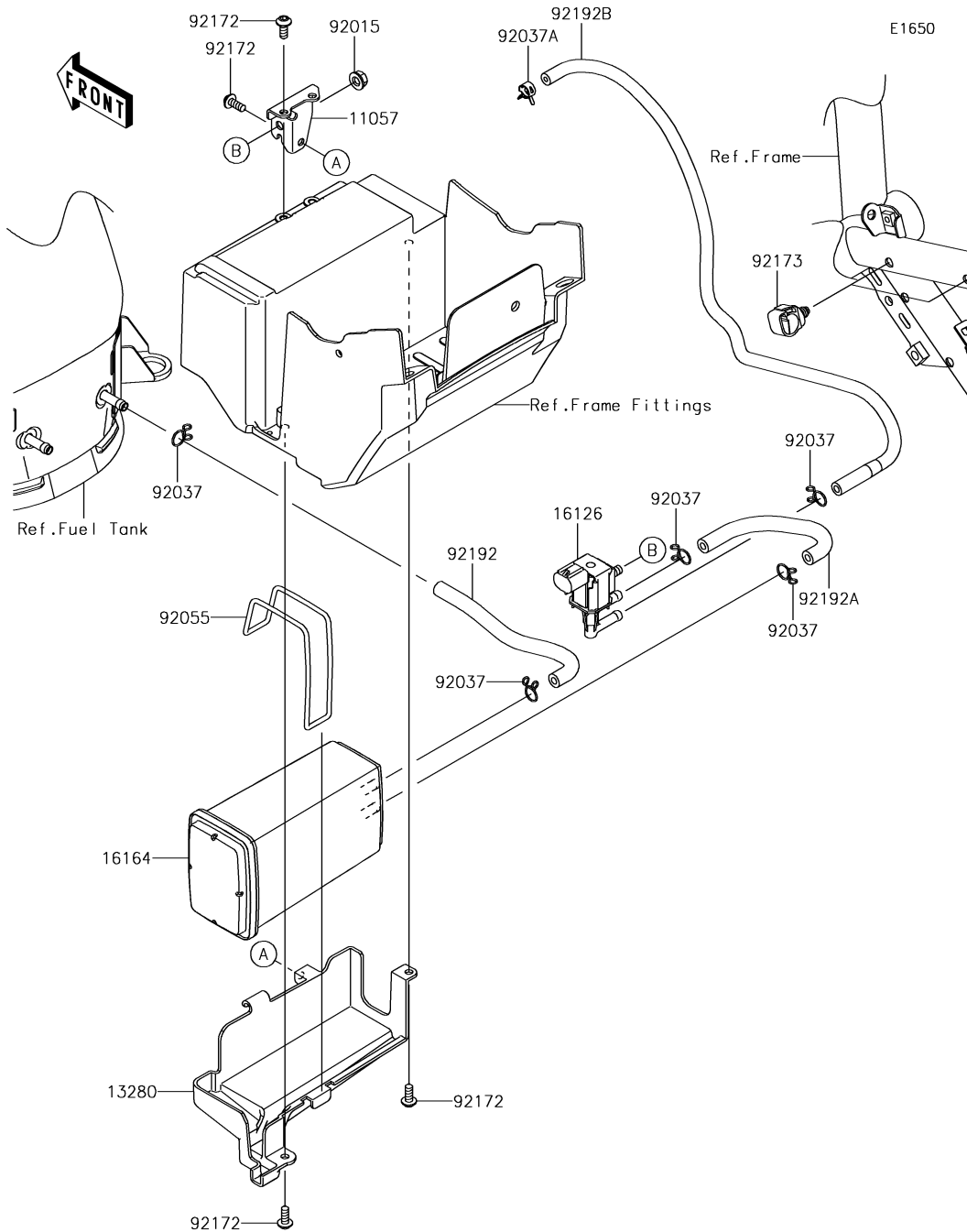
Ref. No.	Part No.	Description	Spec Code	Quantity			
				'18			
49040	49040-0756	PUMP-FUEL					1
51044	51044-0863	TUBE-ASSY,FUEL					1
92154	92154-2335	BOLT,FLANGED,6X12					5
99999	99999-0522	KIT,FUEL FILTER					1
670	670E5075	O RING					1

E1530

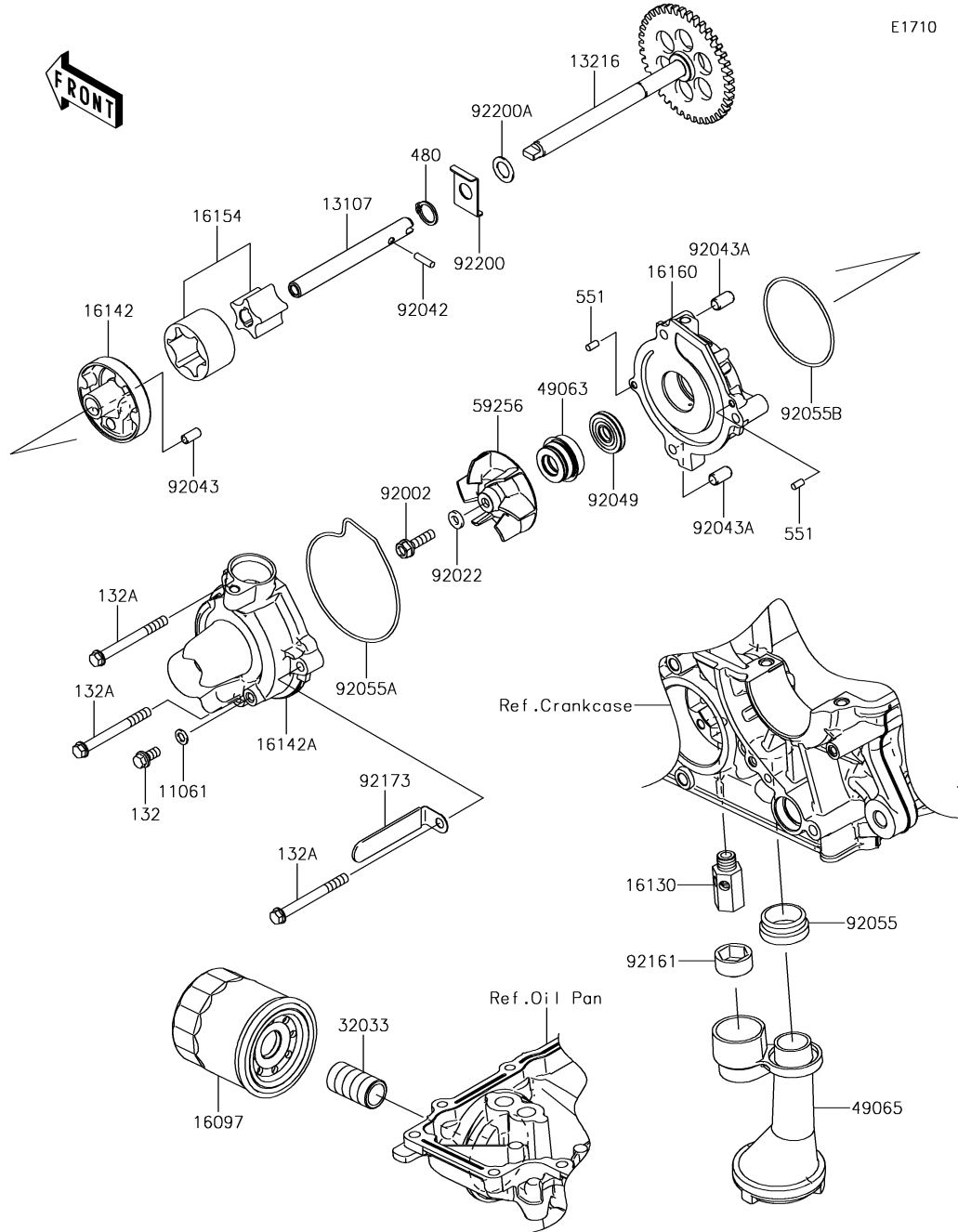


20. Fuel Injection

Ref. No.	Part No.	Description	Spec Code	Quantity			
				'18			
				BJJ			
11057	11057-0287	BRACKET,VEHICLE DOWN					1
21175	21175-1212	CONTROL UNIT-ELECTRONIC					1
21176	21176-0009	SENSOR,WATER TEMP					1
21176A	21176-0026	SENSOR,VEHICLE-DOWN					1
21176B	21176-0048	SENSOR,AIR TEMPERATURE					1
21176C	21176-0835	SENSOR,OXYGEN					1
26031	26031-2159	HARNES, SUB					1
39156	39156-2129	PAD,15X55X15					1
92009	92009-1984	SCREW,TAPPING,5X16					1
92055	92055-0016	RING-O,9.5X1.9					1
92075	92075-1912	DAMPER					2
92152	92152-1562	COLLAR,5.6X8X11.2					2
92161	92161-1870	DAMPER,ECU					1
92171	92171-1283	CLAMP,CABLE					2
120	120CA0525	BOLT-SOCKET,5X25					2

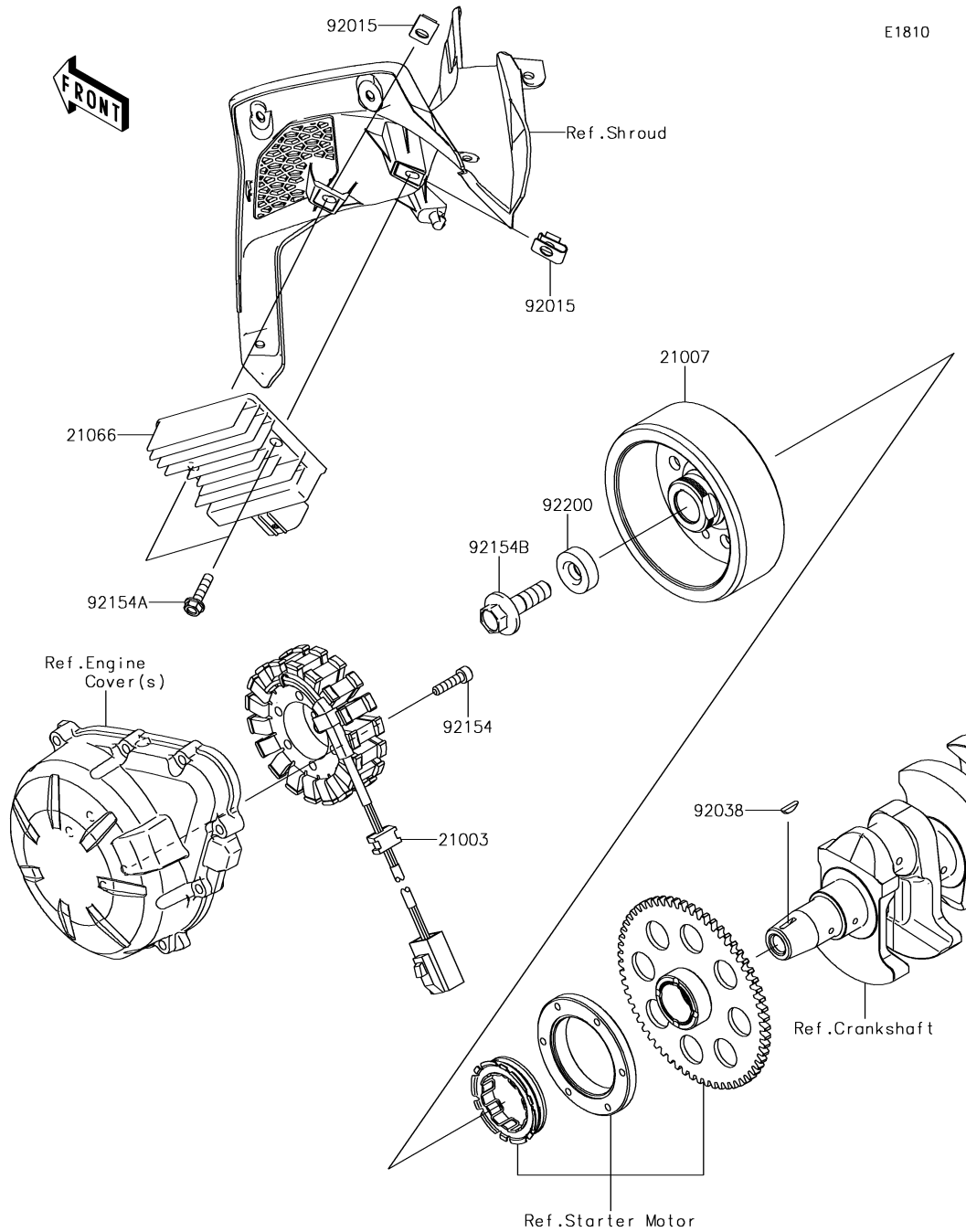


Ref. No.	Part No.	Description	Spec Code	Quantity	
				'18	BJJ
11057	11057-0286	BRACKET,PCV		1	
13280	13280-0880	HOLDER,CANISTER		1	
16126	16126-0740	VALVE,PCV		1	
16164	16164-0012	CANISTER		1	
92015	92015-1367	NUT,FLANGED,6MM		1	
92037	92037-147	CLAMP,TUBE		5	
92037A	92037-2116	CLAMP,7.8MM		1	
92055	92055-1020	RING-O,104.4X3.1		1	
92172	92172-0823	SCREW,SOCKET,5X14		5	
92173	92173-0736	CLAMP,12MM DIA.		2	
92192	92192-1690	TUBE,CANISTER-TANK		1	
92192A	92192-1691	TUBE,PCV-CANISTER		1	
92192B	92192-1779	TUBE,PCV-THROTTLE BODY		1	



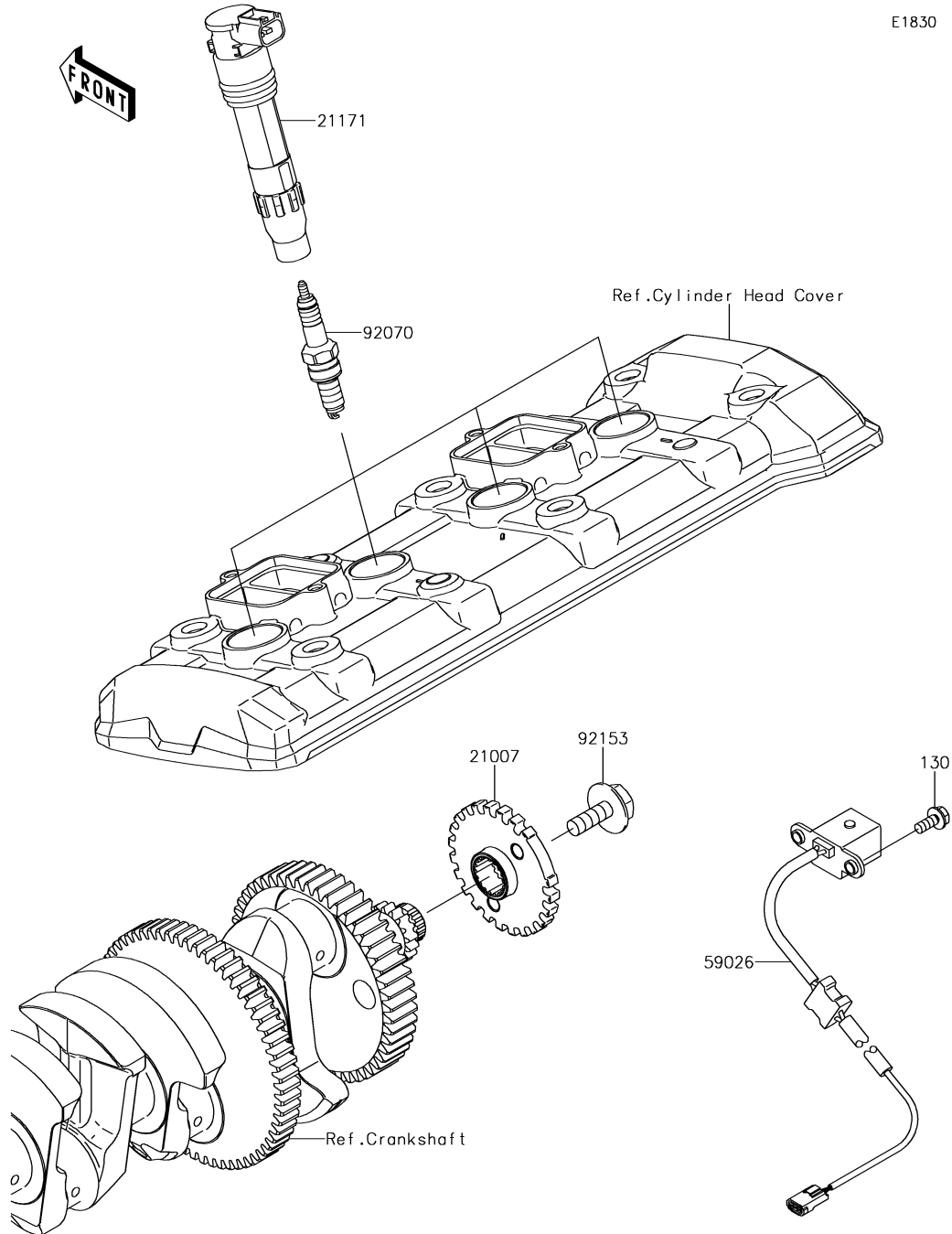
22. Oil Pump

Ref. No.	Part No.	Description	Spec Code	Quantity			
				'18			
				BJJ			
11061	11061-0107	GASKET					1
13107	13107-0214	SHAFT					1
13216	13216-0020	GEAR-COMP,OIL PUMP,41T					1
16097	16097-0008	FILTER-ASSY-OIL					1
16130	16130-1058	VALVE-ASSY-RELIEF					1
16142	16142-0064	COVER-PUMP					1
16142A	16142-0746	COVER-PUMP					1
16154	16154-0057	ROTOR-PUMP					1
16160	16160-0796	BODY					1
32033	32033-1535	PIPE,OIL FILTER					1
49063	49063-1055	SEAL-MECHANICAL,WATER					1
49065	49065-0026	FILTER-OIL					1
59256	59256-0555	IMPELLER					1
92002	92002-1154	BOLT,6X22					1
92022	92022-077	WASHER,6.1X12X1					1
92042	92042-030	PIN,DOWEL,4X13.8					1
92043	92043-1262	PIN,4.2X6X12					1
92043A	92043-1263	PIN,6.2X8X14					2
92049	92049-0798	SEAL-OIL					1
92055	92055-1503	RING-O,OIL FILTER					1
92055A	92055-1571	RING-O,WATER PUMP COVER					1
92055B	92055-3018	RING-O,59.6X2.4					1
92161	92161-0070	DAMPER					1
92173	92173-1201	CLAMP					1
92200	92200-0410	WASHER					1
92200A	92200-1009	WASHER					1
132	132BA0612	BOLT-FLANGED-SMALL,6X12					1
132A	132BC0660	BOLT-FLANGED-SMALL,6X60					3
480	480J1100	CIRCLIP-TYPE-C,11MM					1
551	551A0408	PIN-DOWEL,4X8					2



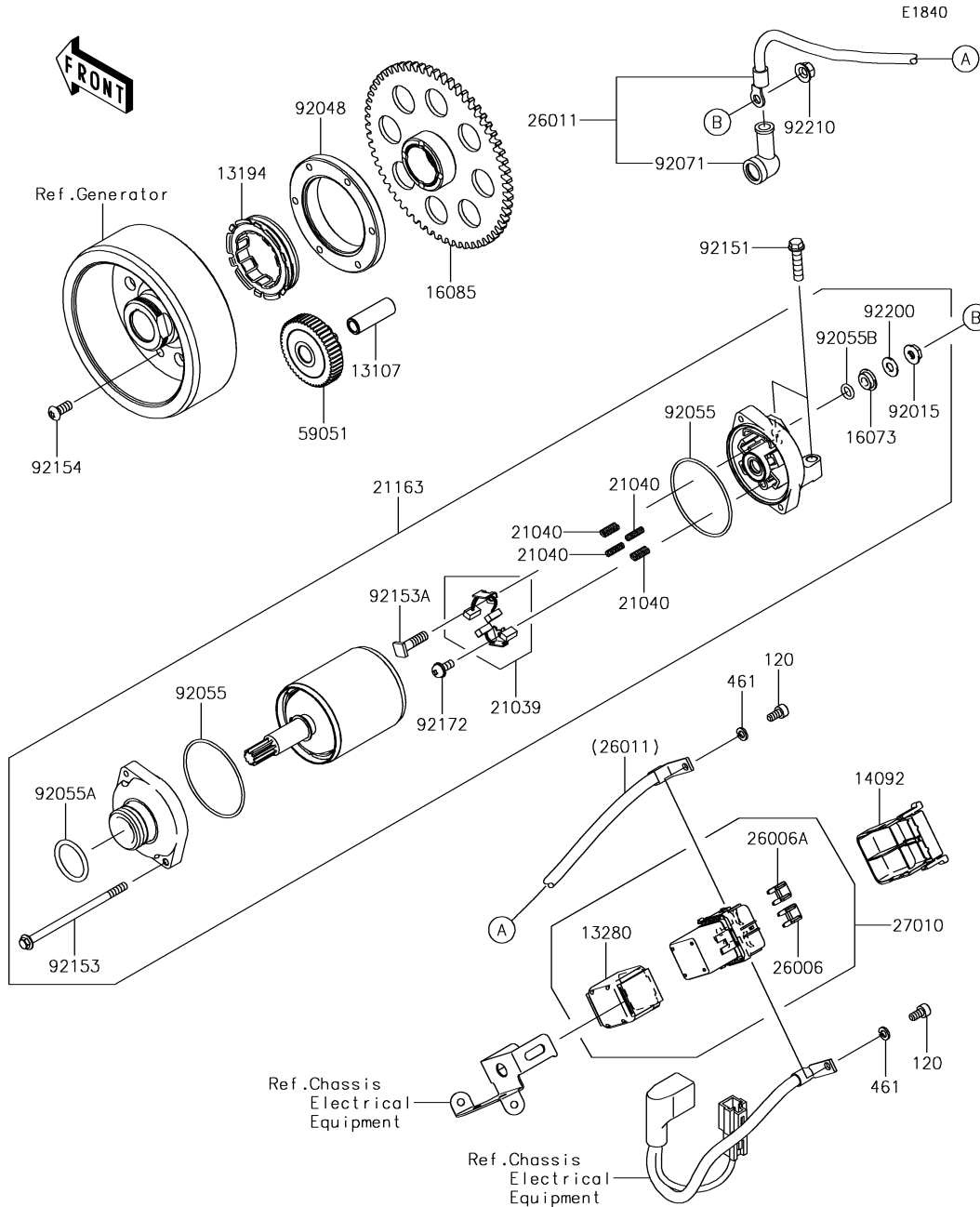
Ref. No.	Part No.	Description	Spec Code	Quantity			
				'18			
21003	21003-0174	STATOR				1	
21007	21007-0646	ROTOR				1	
21066	21066-0753	REGULATOR-VOLTAGE				1	
92015	92015-1671	NUT,6MM				2	
92038	92038-1060	KEY				1	
92154	92154-0477	BOLT,SOCKET,6X25				4	
92154A	92154-2360	BOLT,FLANGED,6X25				2	
92154B	92154-2650	BOLT,FLANGED,12X40				1	
92200	92200-0369	WASHER,12X34X9				1	

24. Ignition System



Ref. No.	Part No.	Description	Spec Code	Quantity			
				'18			
21007	21007-0579	ROTOR				1	
21171	21171-0033	COIL-ASSY-IGNITION				4	
59026	59026-0043	COIL-PULSING				1	
92070	92070-0014	PLUG-SPARK,CR9EIA(NGK)				4	
92153	92153-0549	BOLT,FLANGED,8X23				1	
130	130BA0512	BOLT-FLANGED,5X12				2	

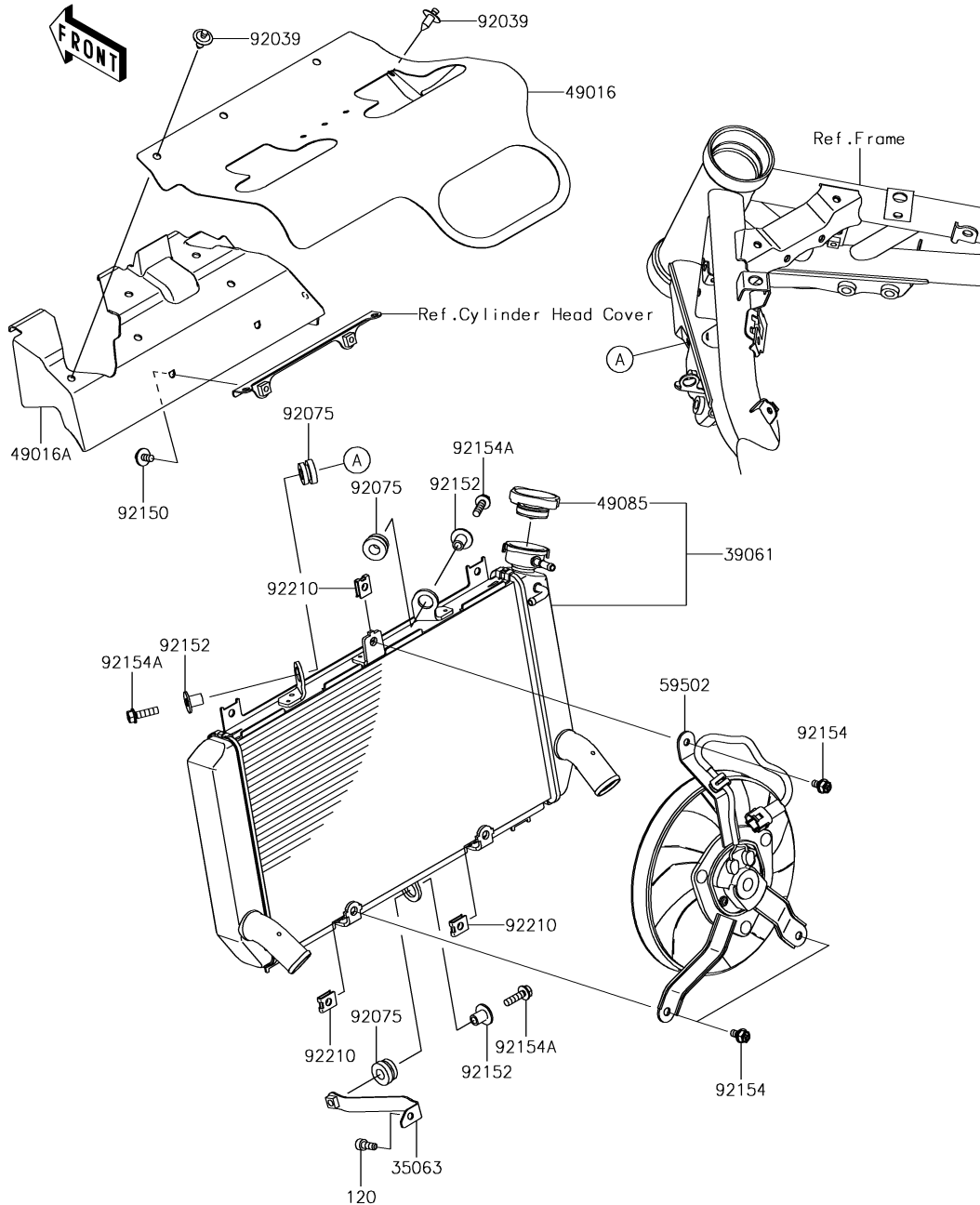
'18 ZR900 BJJ



25. Starter Motor

Ref. No.	Part No.	Description	Spec Code	Quantity	
				'18	BJJ
13107	13107-1377	SHAFT, IDLER GEAR		1	
13194	13194-1096	CLUTCH-ONEWAY		1	
13280	13280-0814	HOLDER, MAGNETIC SWITCH		1	
14092	14092-0109	COVER		1	
16073	16073-0053	INSULATOR		1	
16085	16085-0609	GEAR, CLUTCH ONEWAY		1	
21039	21039-0004	BRUSH, CARBON		1	
21040	21040-0003	SPRING-BRUSH		4	
21163	21163-0748	STARTER-ELECTRIC		1	
26006	26006-0001	FUSE, MINI BLADE, 15A, BLUE		1	
26006A	26006-1080	FUSE, MINI BLADE, 30A, GREEN		1	
26011	26011-0949	WIRE-LEAD		1	
27010	27010-0770	SWITCH		1	
59051	59051-0762	GEAR-SPUR, IDLER		1	
92015	92015-1476	NUT, STARTER MOTOR		1	
92048	92048-0018	RACE		1	
92055	92055-0136	RING-O		2	
92055A	92055-1276	RING-O		1	
92055B	92055-1370	RING-O, 4.5X2.0		1	
92071	92071-0024	GROMMET		1	
92151	92151-1930	BOLT, FLANGED-SMALL, 6X25		2	
92153	92153-1850	BOLT		2	
92153A	92153-1866	BOLT		1	
92154	92154-1225	BOLT, TORX, 6X14		6	
92172	92172-0334	SCREW		1	
92200	92200-0386	WASHER		1	
92210	92210-0188	NUT, 6MM		1	
120	120CB0510	BOLT-SOCKET, 5X10		2	
461	461DB0500	WASHER-SPRING, 5MM		2	

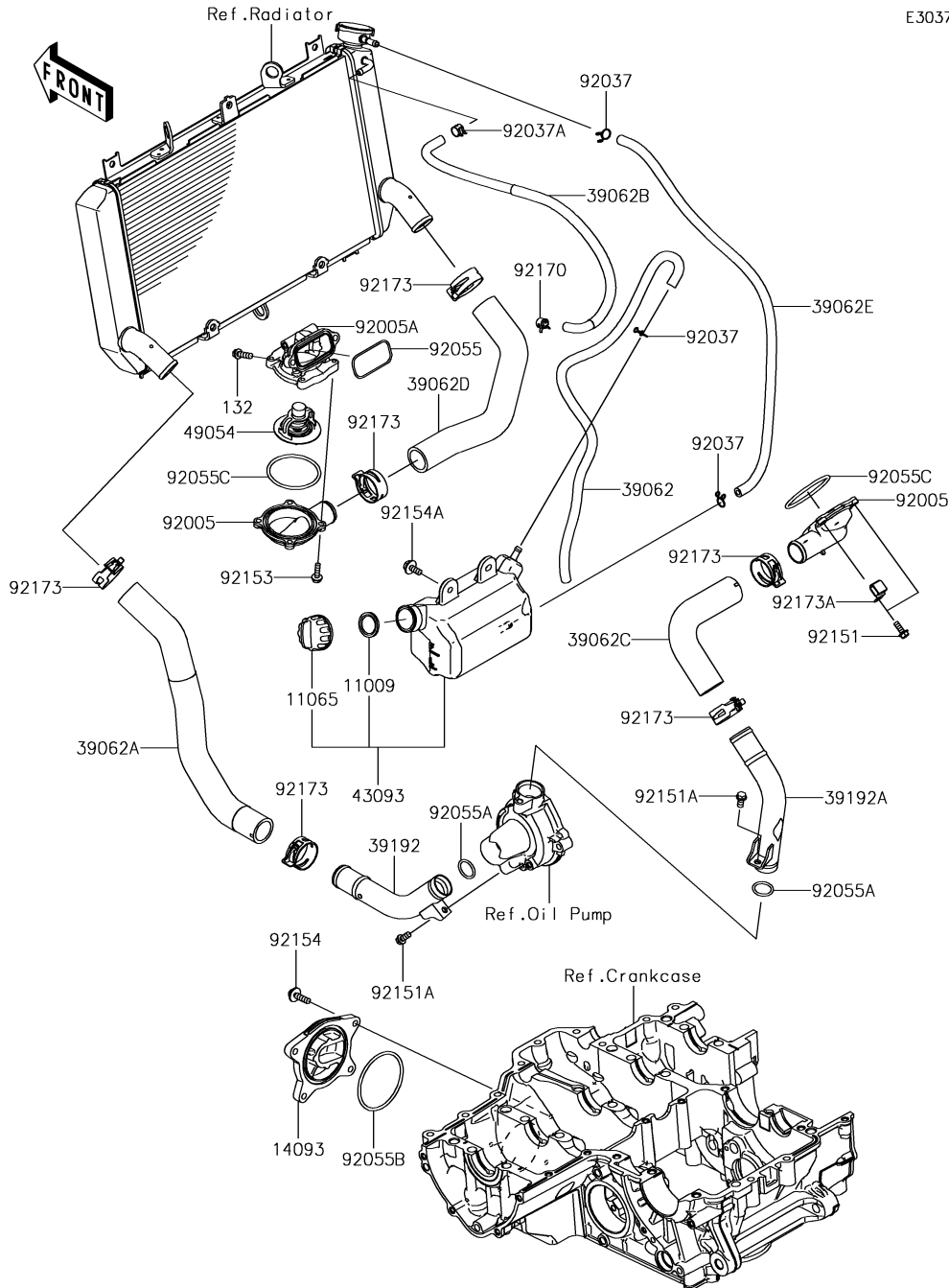
E3032



26. Radiator

Ref. No.	Part No.	Description	Spec Code	Quantity			
				'18			
				BJJ			
35063	35063-1364	STAY					1
39061	39061-0745	RADIATOR-ASSY					1
49016	49016-0638	COVER-SEAL,HEAT					1
49016A	49016-0639	COVER-SEAL,HEAT					1
49085	49085-0006	CAP-ASSY-PRESSURE					1
59502	59502-0614	FAN-ASSY					1
92039	92039-1289	RIVET					2
92075	92075-1123	DAMPER,RUBBER					3
92150	92150-1891	BOLT,6X12					2
92152	92152-0667	COLLAR					3
92154	92154-1429	BOLT					3
92154A	92154-2673	BOLT,FLANGED,6X22					3
92210	92210-1323	NUT					3
120	120CA0616	BOLT-SOCKET,6X16					1

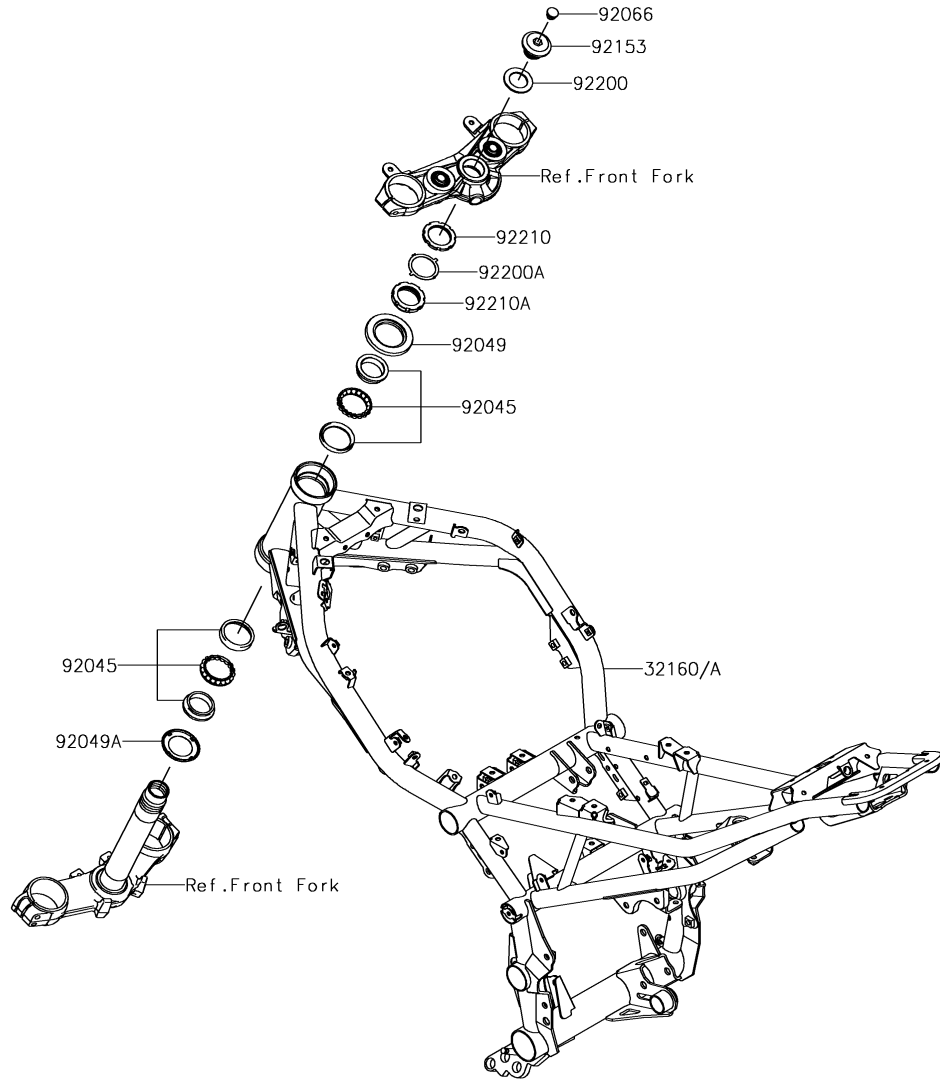
E3037



27. Water Pipe

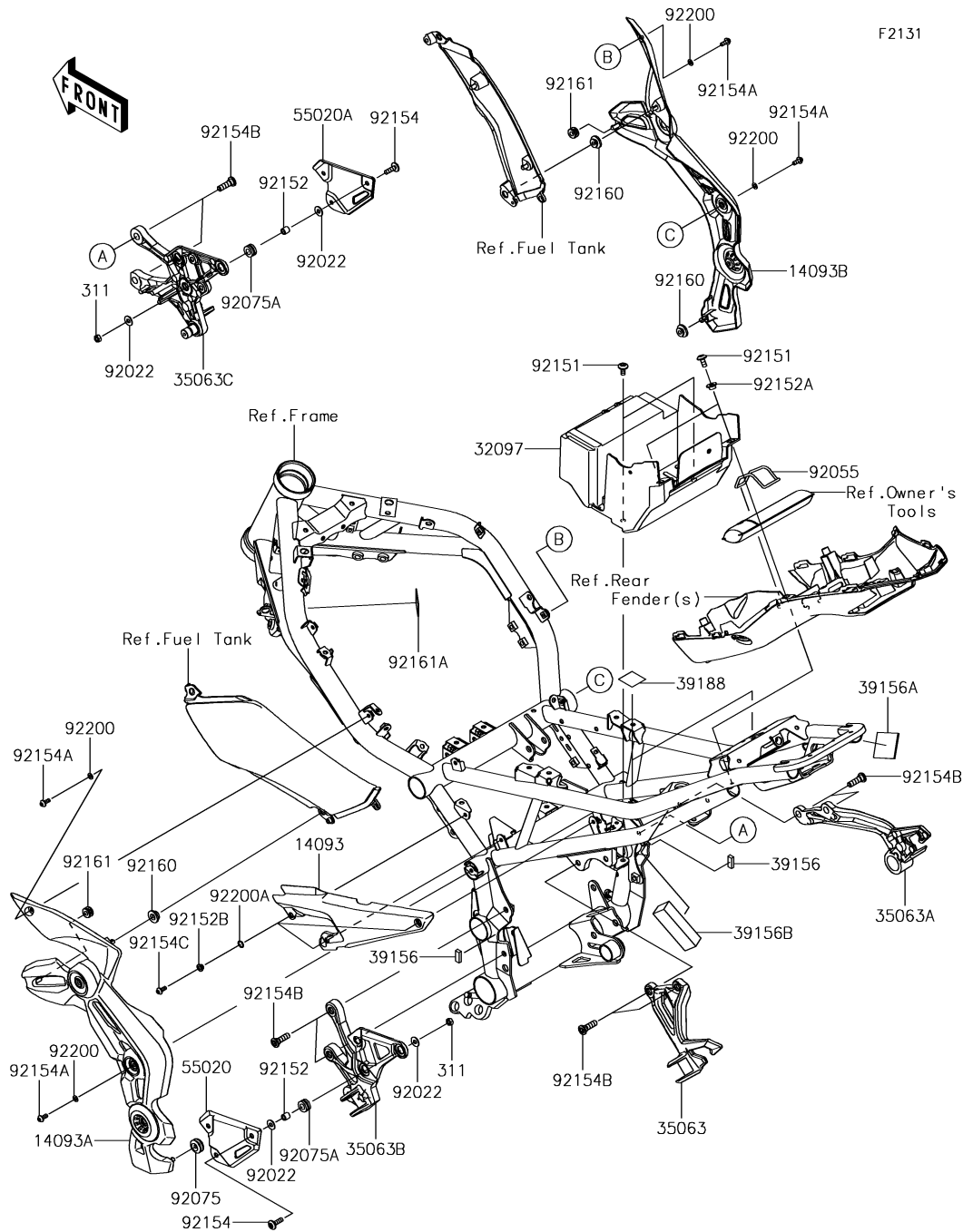
Ref. No.	Part No.	Description	Spec Code	Quantity			
				'18			
				BJF			
11009	11009-1145	GASKET,RESERVOIR TANK CAP			1		
11065	11065-0980	CAP			1		
14093	14093-0144	COVER			1		
39062	39062-0618	HOSE-COOLING,OVERFLOW			1		
39062A	39062-0758	HOSE-COOLING,RADIATOR-W/PIPE			1		
39062B	39062-0765	HOSE-COOLING,AIR BLEED			1		
39062C	39062-0785	HOSE-COOLING,W/PIPE-CYLINDER			1		
39062D	39062-0786	HOSE-COOLING,CYLINDER-RADIATOR			1		
39062E	39062-1208	HOSE-COOLING,5.5X10.5X550			1		
39192	39192-0631	PIPE-WATER,RADIATOR-WATER PUMP			1		
39192A	39192-0644	PIPE-WATER,WATER PUMP-CYLINDER			1		
43093	43093-0006	RESERVOIR-ASSY-TANK			1		
49054	49054-0004	THERMOSTAT			1		
92005	92005-0842	FITTING,THERMO CAP			2		
92005A	92005-0846	FITTING,THERMO CASE			1		
92037	92037-147	CLAMP,TUBE			3		
92037A	92037-1505	CLAMP,TUBE			1		
92055	92055-0021	RING-O,YP 27.6 57.6 1.9			1		
92055A	92055-0114	RING-O,20.8X2.4			2		
92055B	92055-0739	RING-O,63.3MM			1		
92055C	92055-0831	RING-O,53.5X2.6			2		
92151	92151-1764	BOLT,5X14			4		
92151A	92151-1997	BOLT,6X12			2		
92153	92153-1588	BOLT,FLANGED,5X18			4		
92154	92154-0403	BOLT,FLANGED,6X22			4		
92154A	92154-1850	BOLT,UPSET-WP,6X16			2		
92170	92170-1493	CLAMP			1		
92173	92173-1360	CLAMP,34MM			6		
92173A	92173-1663	CLAMP			1		
132	132BC0620	BOLT-FLANGED-SMALL,6X20			2		

F2120



28. Frame

Ref. No.	Part No.	Description	Spec Code	Quantity			
				'18			
32160	32160-1008-18R	FRAME-COMP,F.S.BLACK					1
32160A	32160-1008-54S	FRAME-COMP,M.GREEN					1
92045	92045-1384	BEARING-BALL,SF07A17PX1V1					2
92049	92049-0131	SEAL-OIL					1
92049A	92049-0137	SEAL-OIL					1
92066	92066-0071	PLUG					1
92153	92153-0474	BOLT,26MM					1
92200	92200-0753	WASHER,27X42X2.3					1
92200A	92200-0781	WASHER,27X42X2.3					1
92210	92210-0534	NUT,STEERING STEM,35MM					1
92210A	92210-0535	NUT,STEERING STEM,35MM					1

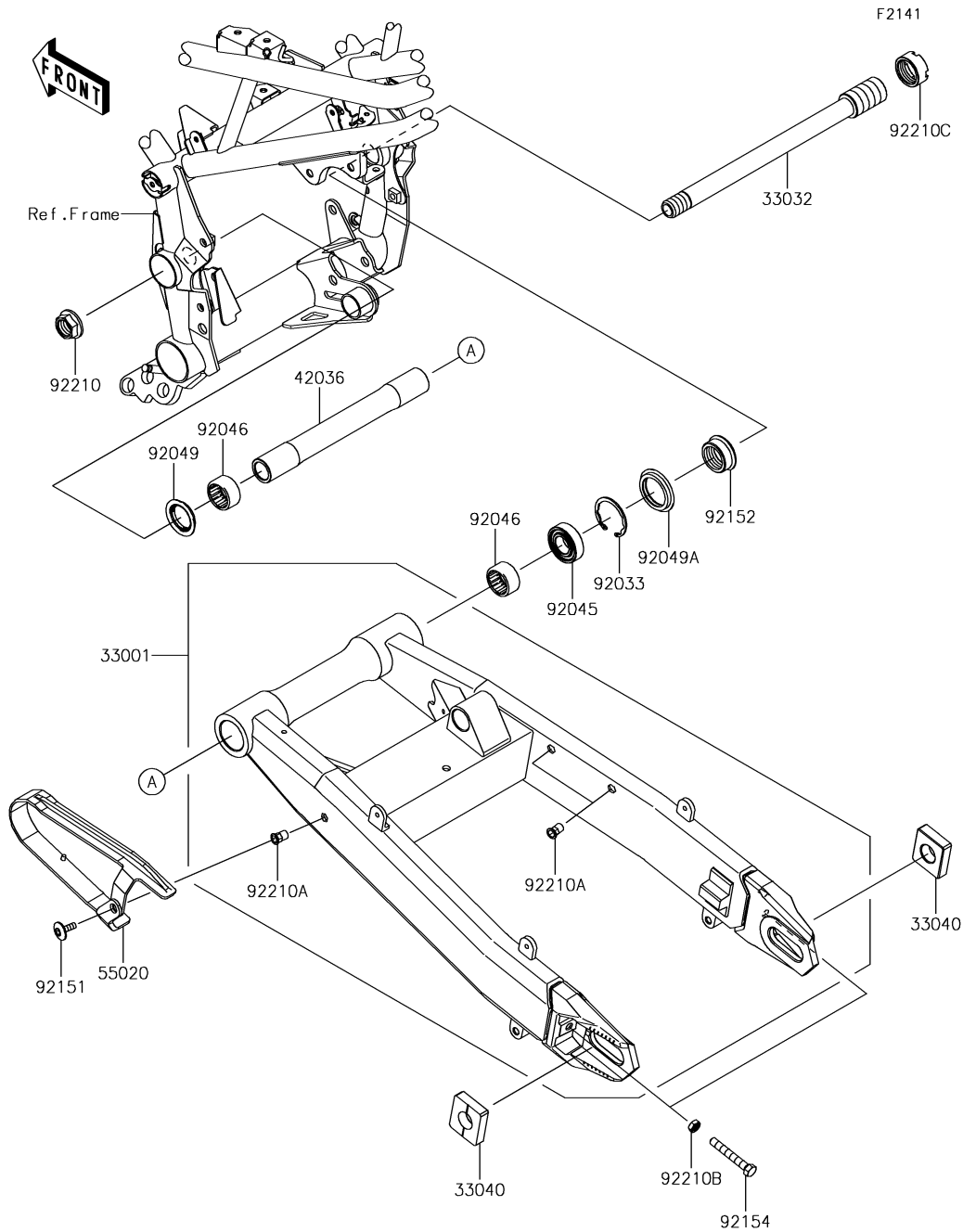


F2131

30. Frame Fittings

Ref. No.	Part No.	Description	Spec Code	Quantity	
				'18	BJJ
14093	14093-0511	COVER,HARNESS,LH			1
14093A	14093-5194-54N	COVER,PIVOT,LH,B.SILVER			1
14093B	14093-5195-54N	COVER,PIVOT,RH,B.SILVER			1
32097	32097-0045	CASE-BATTERY			1
35063	35063-1362-18R	STAY,STEP,RR,LH,F.S.BLACK			1
35063A	35063-1363-18R	STAY,STEP,RR,RH,F.S.BLACK			1
35063B	35063-1399-18R	STAY,STEP,FR,LH,F.S.BLACK			1
35063C	35063-1400-18R	STAY,STEP,FR,RH,F.S.BLACK			1
39156	39156-2176	PAD,8X20X5			2
39156A	39156-2177	PAD,40X60X2			1
39156B	39156-2217	PAD,25X80X20			1
39188	39188-0566	TAPE,30X30			2
55020	55020-1962	GUARD,HEEL,LH			1
55020A	55020-1963	GUARD,HEEL,RH			1
92022	92022-1093	WASHER,6.5X16X1.0			12
92055	92055-0873	RING-O,62.6X3.5			1
92075	92075-1067	DAMPER			1
92075A	92075-1409	DAMPER			6
92151	92151-1654	BOLT,SOCKET,6X14			4
92152	92152-2280	COLLAR,6.3X9.5X9.2			6
92152A	92152-2287	COLLAR,6.5X10X6.4			2
92152B	92152-2354	COLLAR,5.7X8.5X4.5			3
92154	92154-0918	BOLT,SOCKET,6X20			6
92154A	92154-1421	BOLT,SOCKET,5X12			4
92154B	92154-2334	BOLT,SOCKET,8X28			8
92154C	92154-2678	BOLT,SOCKET,5X12,MEC			3
92160	92160-1613	DAMPER			3
92161	92161-0864	DAMPER			2
92161A	92161-1432	DAMPER,25X40,T1.0			1
92200	92200-1730	WASHER,5.2X10X0.5			4
92200A	92200-1888	WASHER,8.8X11.5X0.5			3
311	311AA0600	NUT-HEX,6MM			6

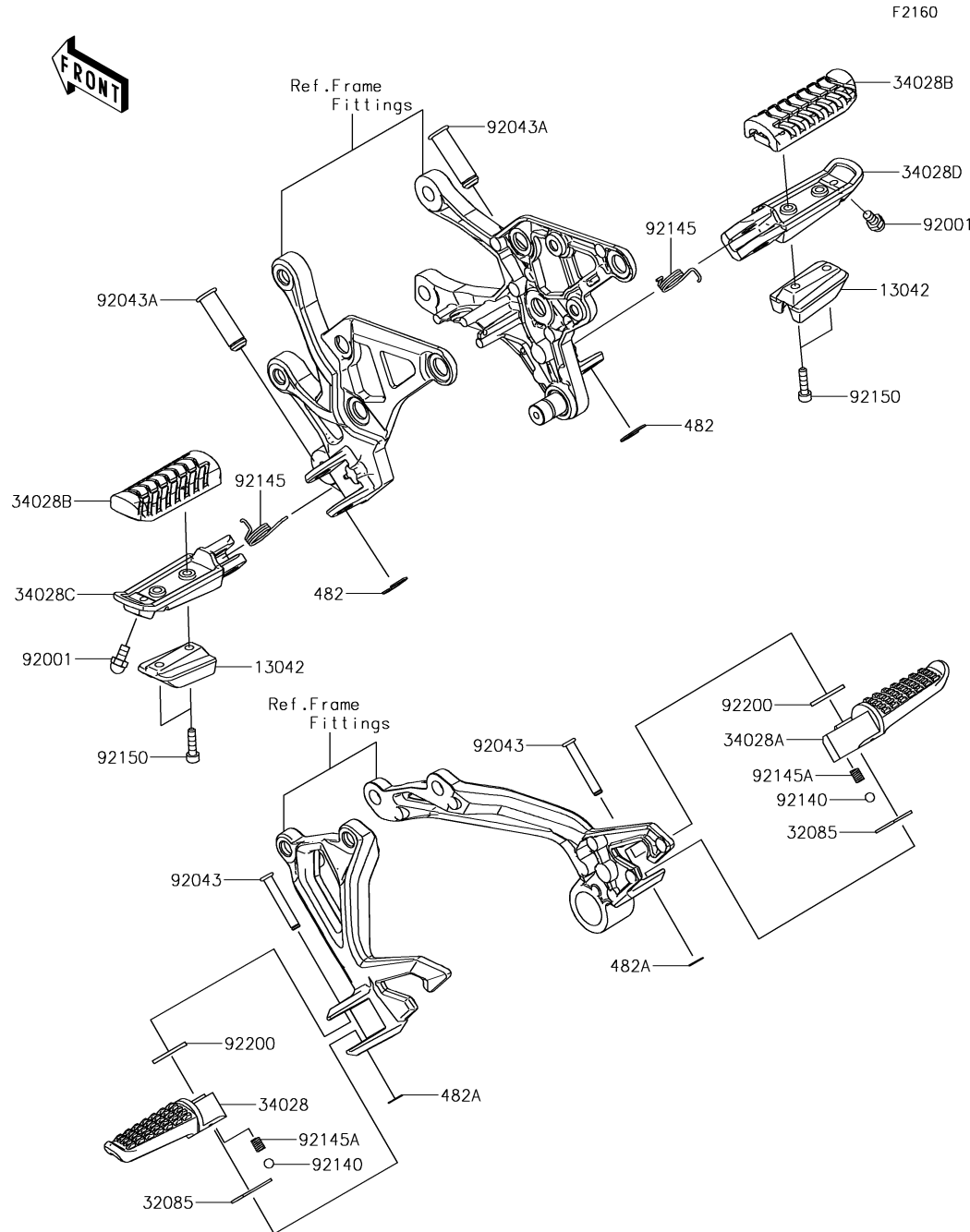
31. Swingarm



Ref. No.	Part No.	Description	Spec Code	Quantity			
				'18			
				BJF			
33001	33001-0666-18R	ARM-COMP-SWING,F.S.BLACK					1
33032	33032-0055	SHAFT-SWING ARM,20X269					1
33040	33040-1109	ADJUSTER-CHAIN					2
42036	42036-0803	SLEEVE,20.1X28X236.5					1
55020	55020-1961	GUARD,CHAIN					1
92033	92033-1041	RING-SNAP,42MM					1
92045	92045-0017	BEARING-BALL,6004UL11					1
92046	92046-0008	BEARING-NEEDLE,7E-HVS 28X34X17					2
92049	92049-0132	SEAL-OIL					1
92049A	92049-1380	SEAL-OIL,MHA 35 42 5.7F					1
92151	92151-1149	BOLT,SOCKET,6X18					1
92152	92152-2379	COLLAR,28X35X15					1
92154	92154-1962	BOLT-SMALL,8X55					2
92210	92210-0320	NUT,FLANGED,20MM					1
92210A	92210-1397	NUT,POP,6MM,L=15					3
92210B	92210-1459	NUT-HEX-SMALL,8MM					2
92210C	92210-1575	NUT,28MM					1

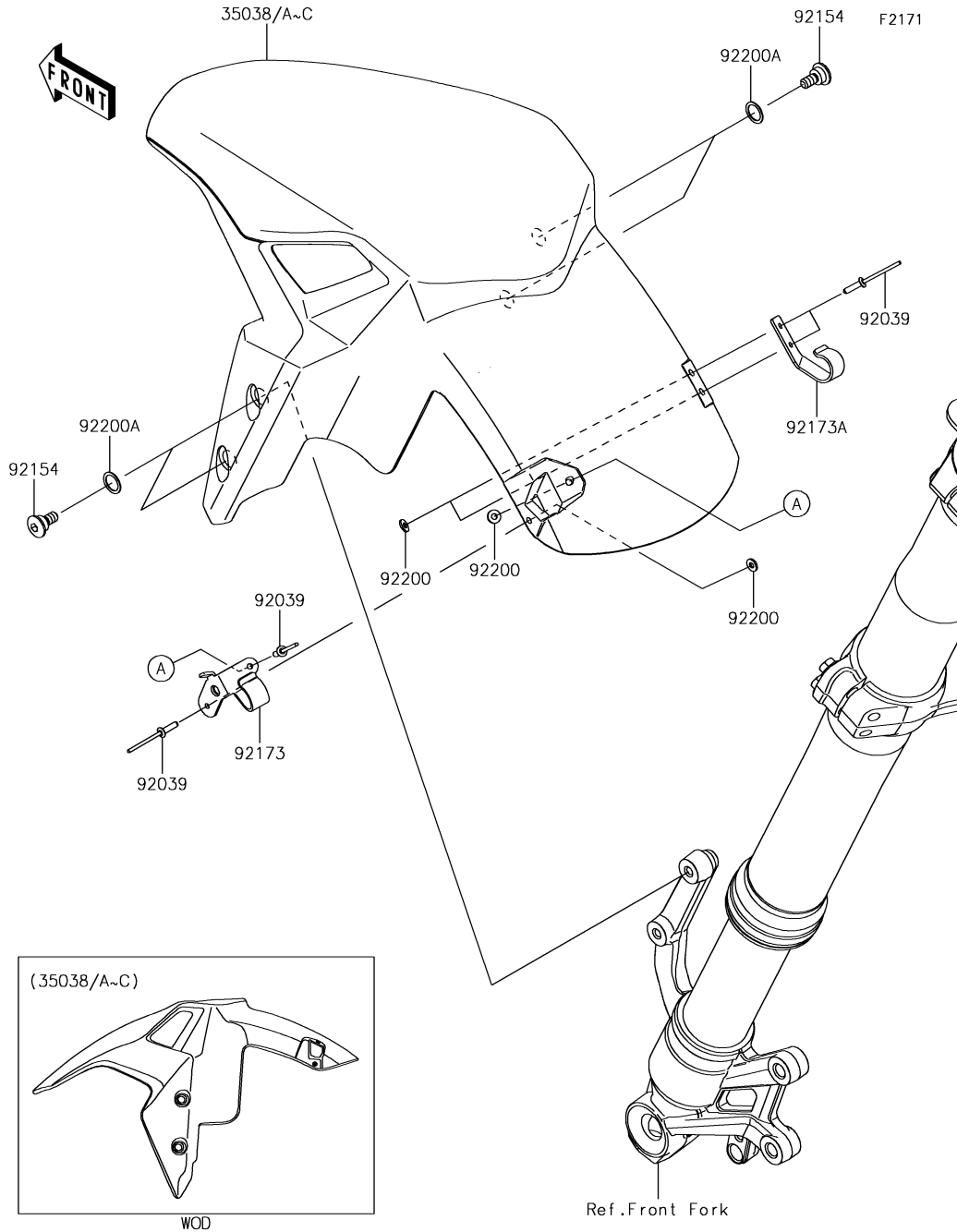
'18 ZR900 BJJ

33. Footrests



Ref. No.	Part No.	Description	Spec Code	Quantity	
				'18	BJJ
	F2160				
13042	13042-0022	WEIGHT,STEP		2	
32085	32085-0801	STOPPER		2	
34028	34028-0004	STEP,RR,LH		1	
34028A	34028-0005	STEP,RR,RH		1	
34028B	34028-0349	STEP,RUBBER		2	
34028C	34028-0350	STEP,FR,LH		1	
34028D	34028-0351	STEP,FR,RH		1	
92001	92001-1905	BOLT,BANK SENSOR		2	
92043	92043-0200	PIN,6X40		2	
92043A	92043-1594	PIN,12X42.5		2	
92140	92140-0008	BALL,6.35MM		2	
92145	92145-0723	SPRING,STEP RETURN		2	
92145A	92145-1319	SPRING		2	
92150	92150-1019	BOLT,SOCKET,5X20		4	
92200	92200-0043	WASHER,16X26X2.3		2	
482	482EA0100	CIRCLIP-TYPE-E,10MM		2	
482A	482EA5000	CIRCLIP-TYPE-E		2	

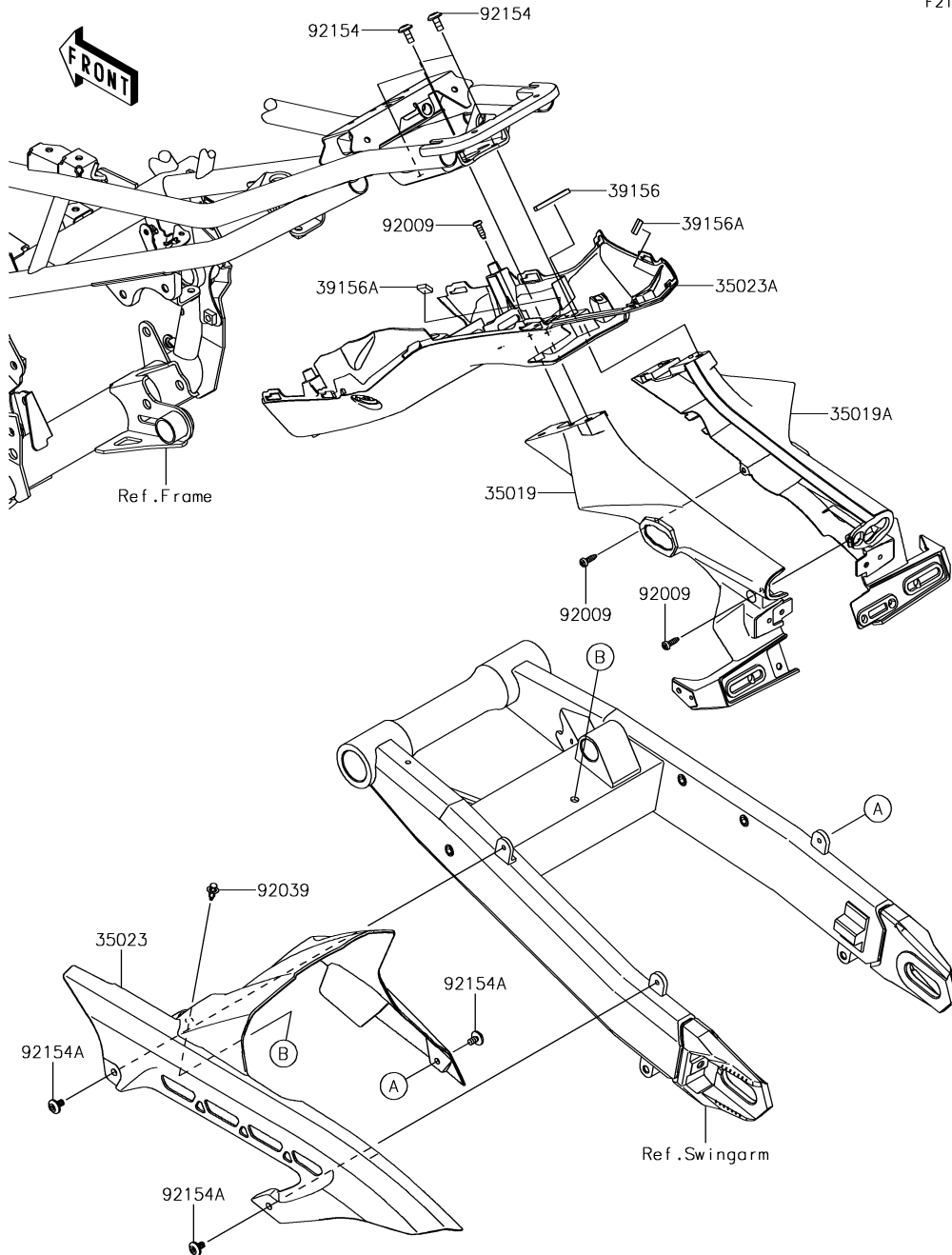
'18 ZR900 BJJ



34. Front Fender(s)

Ref. No.	Part No.	Description	Spec Code	Quantity			
				'18			
35038	35038-5046-36P	FENDER-FRONT,P.M.GRAY,WOD					1
35038A	35038-5046-660	FENDER-FRONT,M.S.BLACK,WOD					1
35038B	35038-5046-739	FENDER-FRONT,M.F.S.BLACK,WOD					1
35038C	35038-5046-A5	FENDER-FRONT,C.P.RED,WOD					1
92039	92039-1231	RIVET					4
92154	92154-2660	BOLT,SOCKET,6X15					4
92173	92173-1600	CLAMP,LH					1
92173A	92173-1601	CLAMP,RH					1
92200	92200-1251	WASHER,3.5X8X1					4
92200A	92200-1880	WASHER,10.4X14X0.5					4

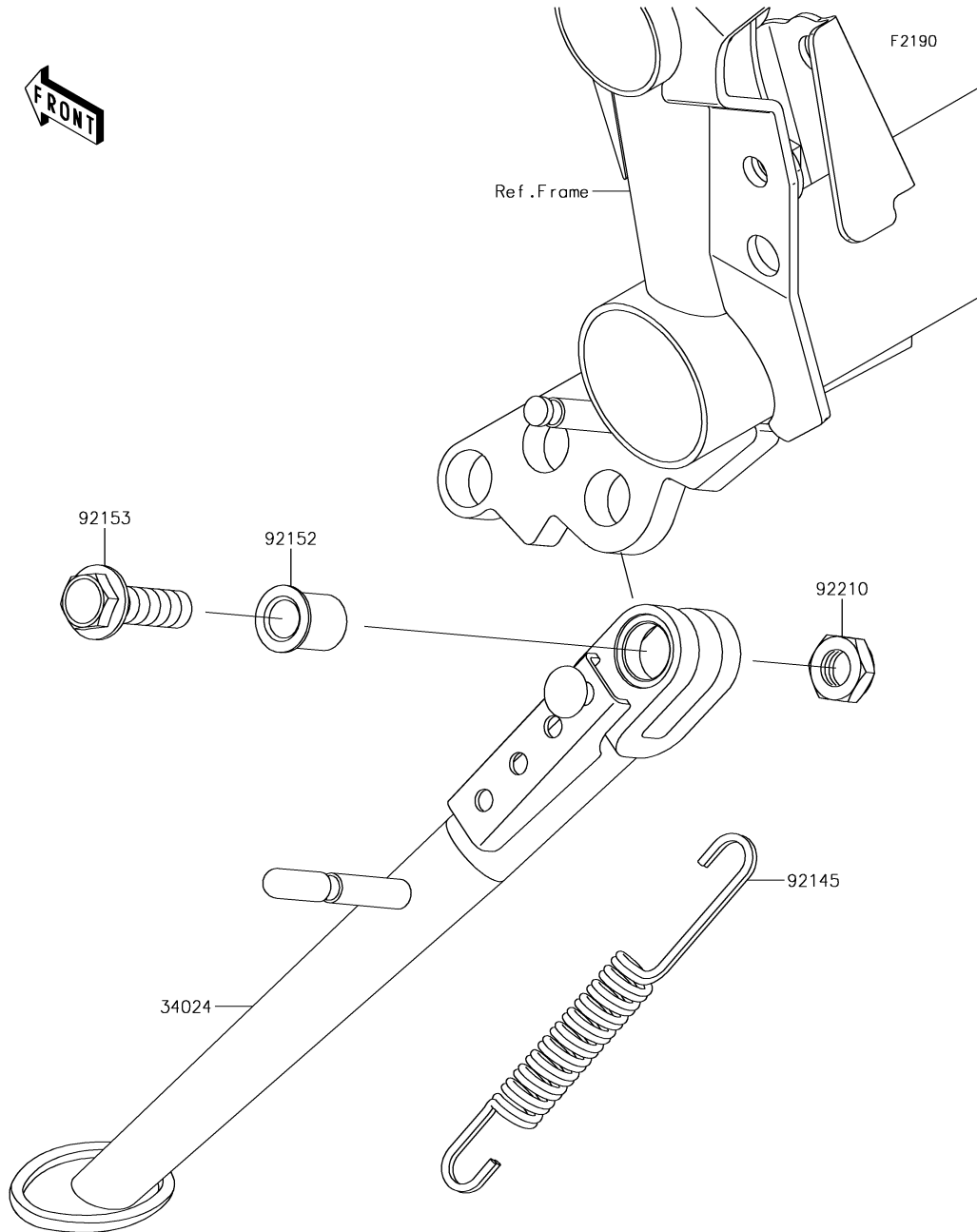
F2172



35. Rear Fender(s)

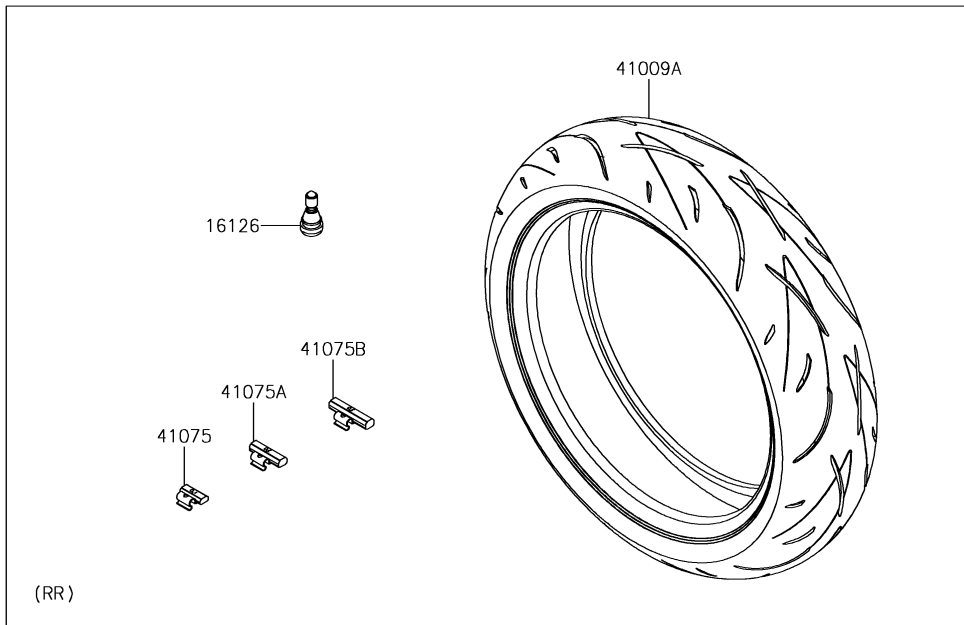
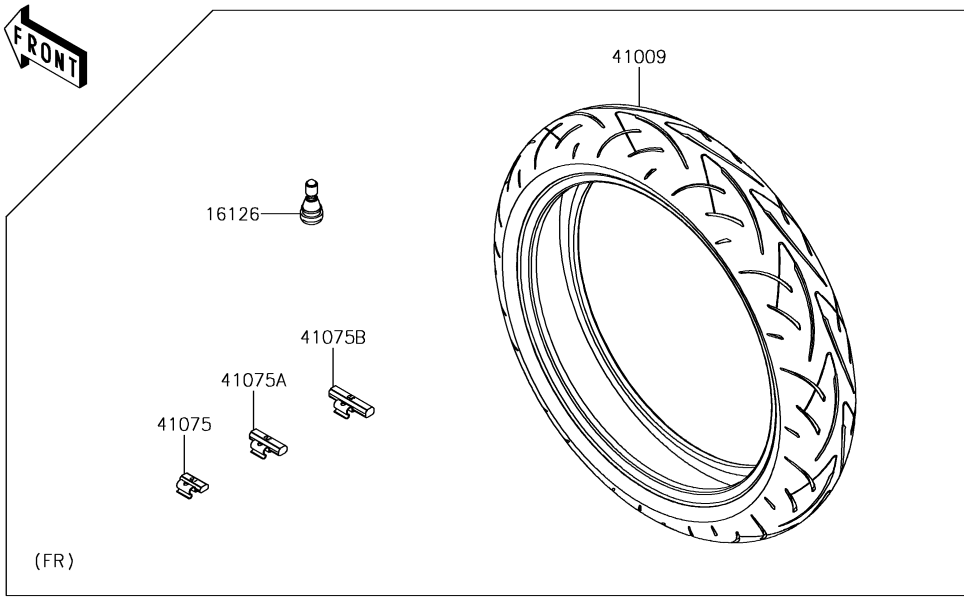
Ref. No.	Part No.	Description	Spec Code	Quantity			
				'18			
				BJF			
35019	35019-0624	FLAP,RR,LH					1
35019A	35019-0625	FLAP,RR,RH					1
35023	35023-0421	FENDER-REAR,INNER					1
35023A	35023-0435	FENDER-REAR					1
39156	39156-2179	PAD,4X44X5					1
39156A	39156-2180	PAD,10X15X4					2
92009	92009-1984	SCREW,TAPPING,5X16					3
92039	92039-0086	RIVET					1
92154	92154-0745	BOLT,SOCKET,6X14					4
92154A	92154-2667	BOLT,SOCKET,6X10					3

36. Stand(s)



Ref. No.	Part No.	Description	Spec Code	Quantity			
				'18			
34024	34024-0141-18R	STAND-SIDE,F.S.BLACK					1
92145	92145-0562	SPRING,SIDE STAND					1
92152	92152-2248	COLLAR,10.2X15X18.6					1
92153	92153-0802	BOLT,FLANGED,10X35					1
92210	92210-0784	NUT,LOCK,10MM					1

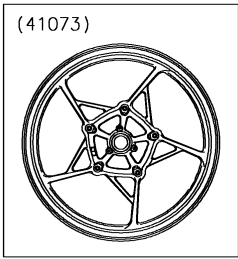
F2210



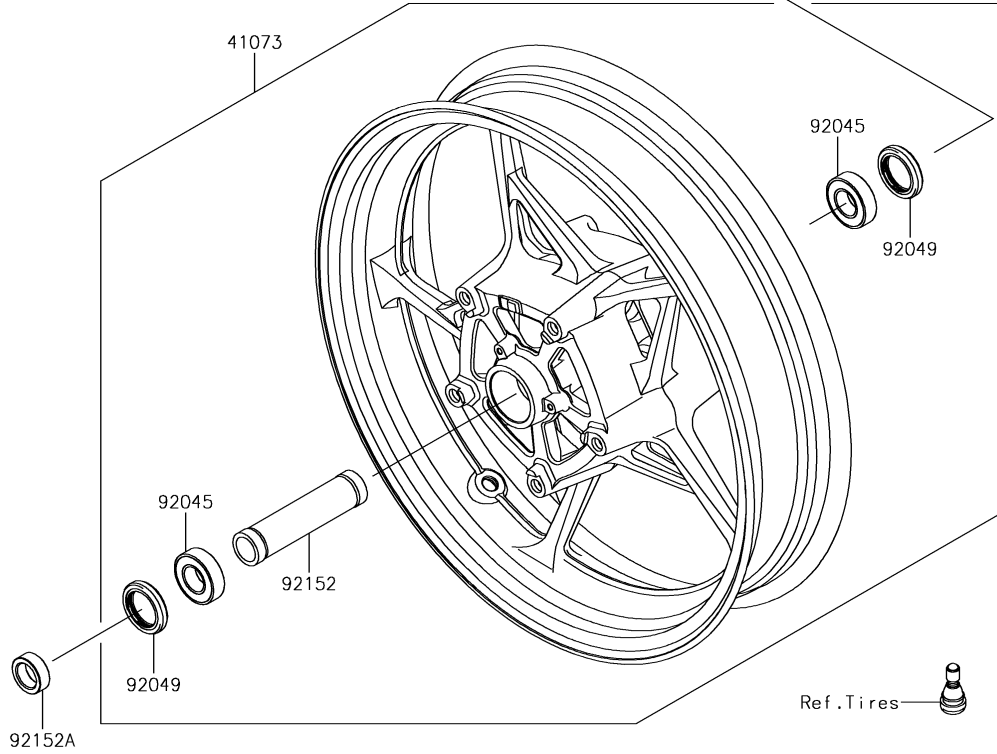
37. Tires

Ref. No.	Part No.	Description	Spec Code	Quantity			
				'18			
16126	16126-1140	VALVE,TIRE					2
41009	41009-0694	TIRE,FR,120/70ZR17(58W),D214F					1
41009A	41009-0695	TIRE,RR,180/55ZR17(73W),D214					1
41075	41075-0007	BALANCER-WHEEL,10G,SILVER					AR
41075A	41075-0008	BALANCER-WHEEL,20G,SILVER					AR
41075B	41075-0009	BALANCER-WHEEL,30G,SILVER					AR

F2230



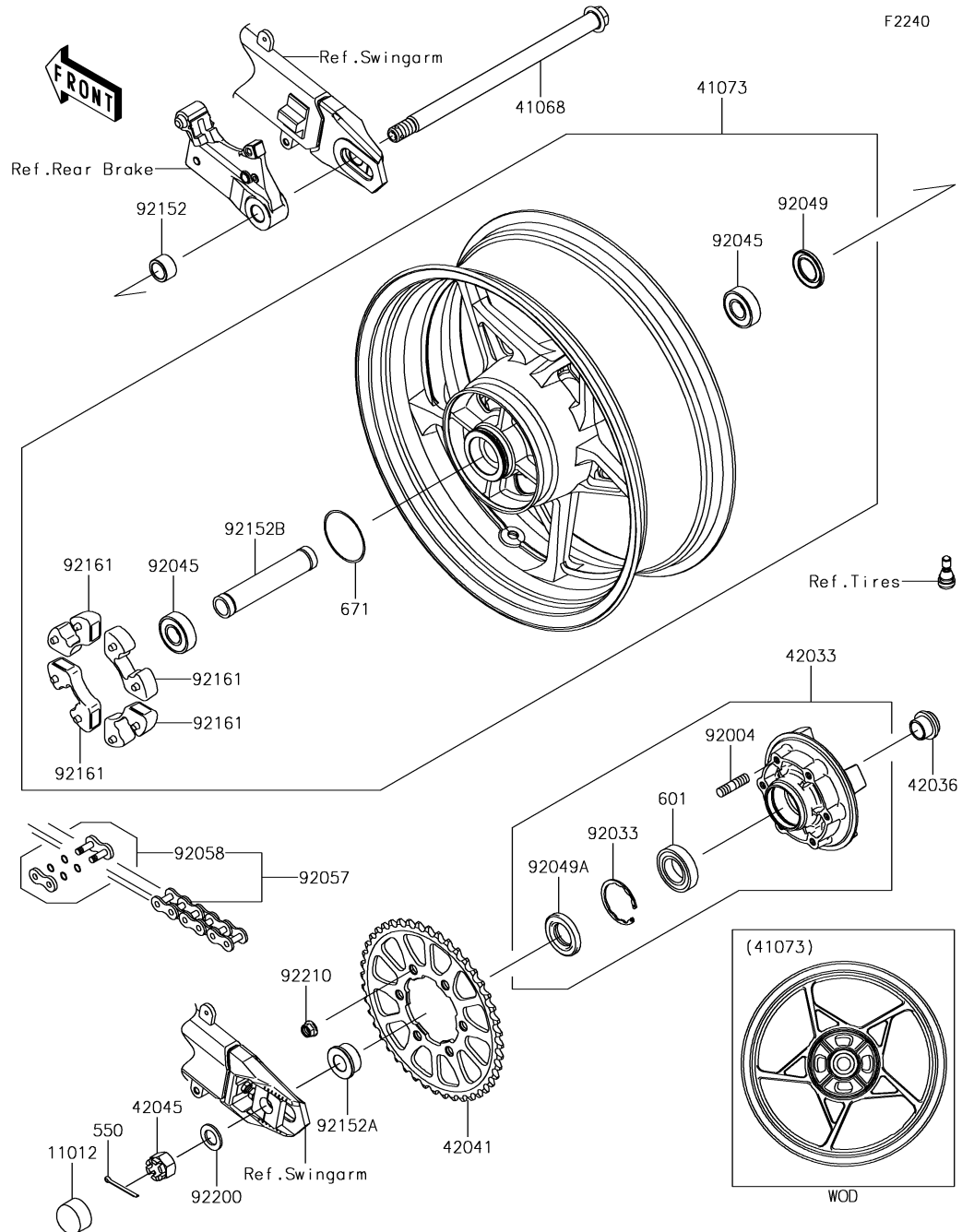
WOD



38. Front Hub

Ref. No.	Part No.	Description	Spec Code	Quantity				
				'18				
41068	41068-0618	AXLE,FR,20X199						1
41073	41073-0713-QT	WHEEL-ASSY,FR,G.BLACK						1
92045	92045-0820	BEARING-BALL,20X42X12						2
92049	92049-0130	SEAL-OIL,BJN30427						2
92152	92152-2227	COLLAR,20.2X27.2X115						1
92152A	92152-2249	COLLAR,20X30X10.5						2

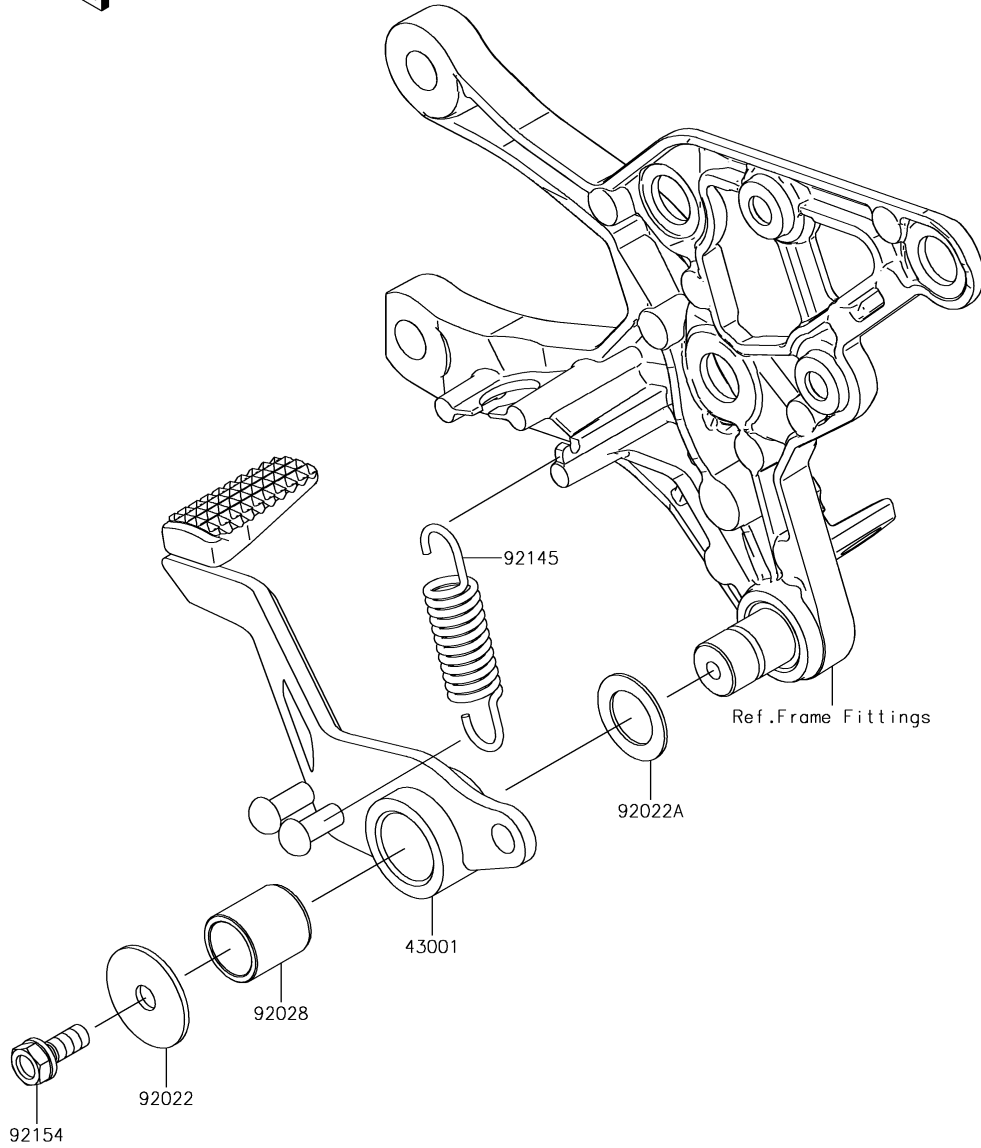
'18 ZR900 BJJ



39. Rear Hub

Ref. No.	Part No.	Description	Spec Code	Quantity			
				'18			
				BJF			
11012	11012-1590	CAP,AXLE NUT					1
41068	41068-0619	AXLE,RR,18X327.2					1
41073	41073-0706-QT	WHEEL-ASSY,RR,G.BLACK					1
42033	42033-0570	COUPLING-ASSY,RR HUB					1
42036	42036-1251	SLEEVE,RR HUB,L=23					1
42041	42041-0158	SPROCKET-HUB,44T					1
42045	42045-018	NUT,CASTLE,18MM					1
92004	92004-0048	STUD,10X19					6
92033	92033-1043	RING-SNAP,52MM					1
92045	92045-0821	BEARING-BALL,20X47X14					2
92049	92049-0140	SEAL-OIL,28 47 5					1
92049A	92049-1287	SEAL-OIL					1
92057	92057-0672	CHAIN,DRIVE,EK525RMX3/3D,114L					1
92058	92058-0041	JOINT-CHAIN					1
92152	92152-1583	COLLAR,20X28X16.4					1
92152A	92152-1585	COLLAR,20X35X18					1
92152B	92152-2250	COLLAR,20.2X27.2X141.9					1
92161	92161-0342	DAMPER,SHOCK,RR HUB					4
92200	92200-1489	WASHER,19X32X2.6					1
92210	92210-0276	NUT,LOCK,FLANGED,10MM					6
550	550AA4040	PIN-COTTER,4.0X40					1
601	601B6205UU	BEARING-BALL					1
671	671B2560	O RING,60MM					1

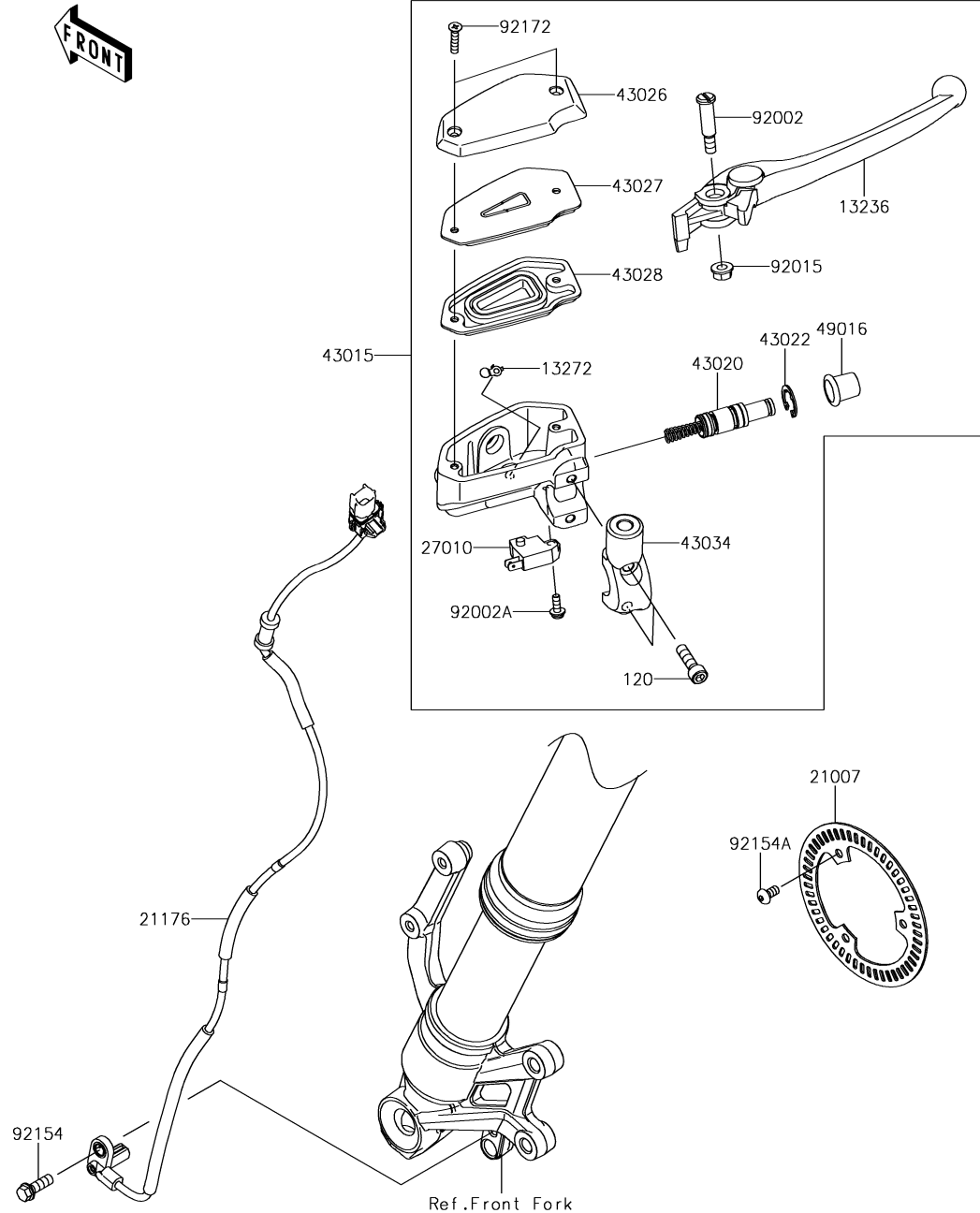
F2260



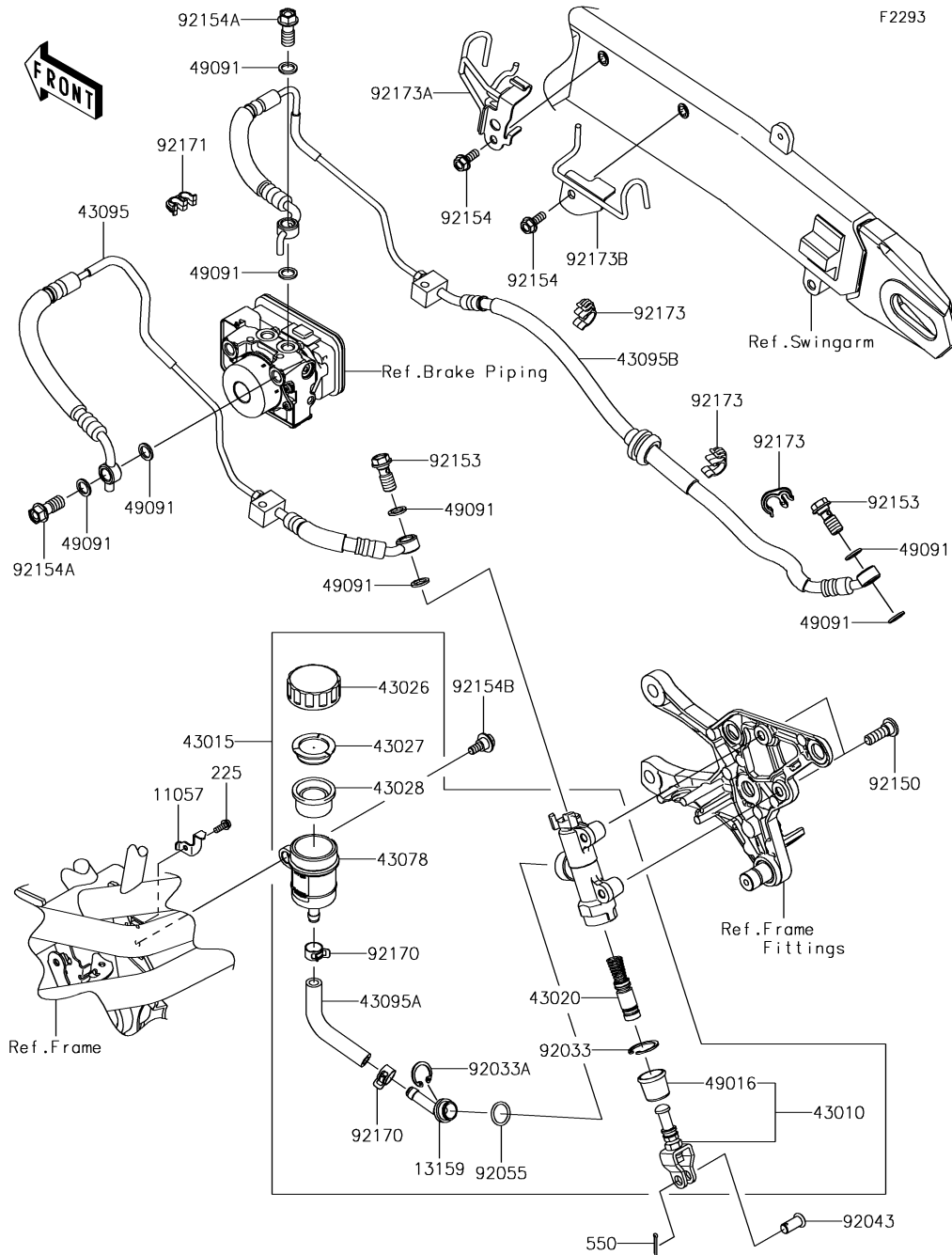
40. Brake Pedal

Ref. No.	Part No.	Description	Spec Code	Quantity			
				'18			
43001	43001-0749	LEVER-BRAKE					1
92022	92022-1282	WASHER,7X28X1.6					1
92022A	92022-326	WASHER,15.3X24X1					1
92028	92028-1282	BUSHING,BRAKE PEDAL					1
92145	92145-0893	SPRING,BRAKE PEDAL					1
92154	92154-0935	BOLT,UPSET-WS,6X16					1

42. Front Master Cylinder



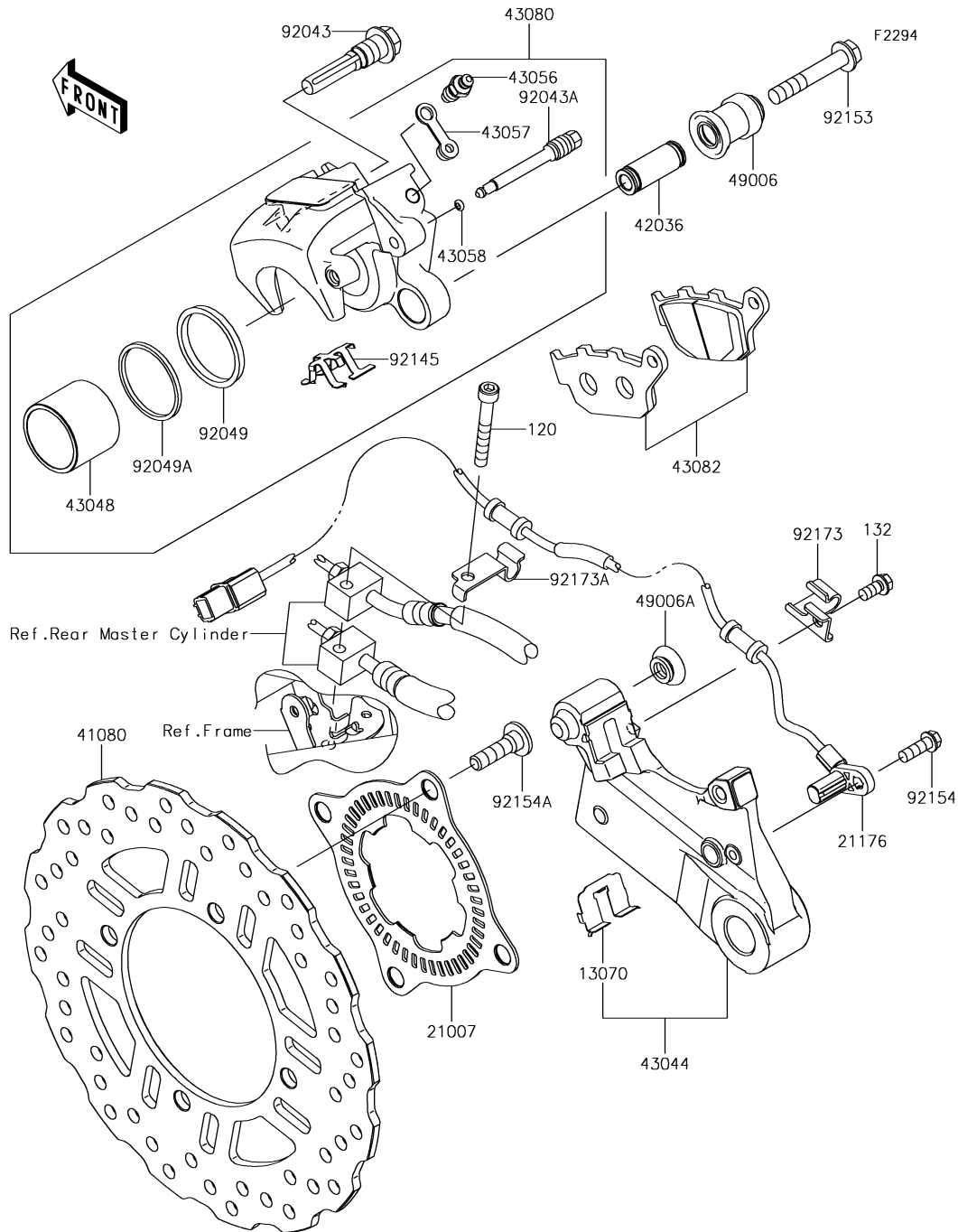
Ref. No.	Part No.	Description	Spec Code	Quantity			
				'18			
				BJF			
13236	13236-0140	LEVER-COMP,FRONT BRAKE			1		
13272	13272-0573	PLATE			1		
21007	21007-0643	ROTOR,SENSOR,FR			1		
21176	21176-0861	SENSOR,SPEED,FR			1		
27010	27010-0025	SWITCH,BRAKE			1		
43015	43015-0588	CYLINDER-ASSY-MASTER,FR			1		
43020	43020-0008	PISTON-COMP-BRAKE			1		
43022	43022-1010	STOPPER-BRAKE,PISTON			1		
43026	43026-0019	CAP-BRAKE			1		
43027	43027-0008	PLATE-DIAPHRAGM			1		
43028	43028-0015	DIAPHRAGM			1		
43034	43034-0049	HOLDER-BRAKE,MASTER CYLINDER			1		
49016	49016-1044	COVER-SEAL,MASTER CYLINDER			1		
92002	92002-1322	BOLT,LEVER SET,BLACK			1		
92002A	92002-1323	BOLT,SCREW,4X12			1		
92015	92015-1528	NUT,FLANGED,6MM			1		
92154	92154-0784	BOLT,FLANGED,6X18			1		
92154A	92154-1292	BOLT,SOCKET,5X10			3		
92172	92172-0320	SCREW,4X20			2		
120	120CB0622	BOLT-SOCKET,6X22			2		



44. Rear Master Cylinder

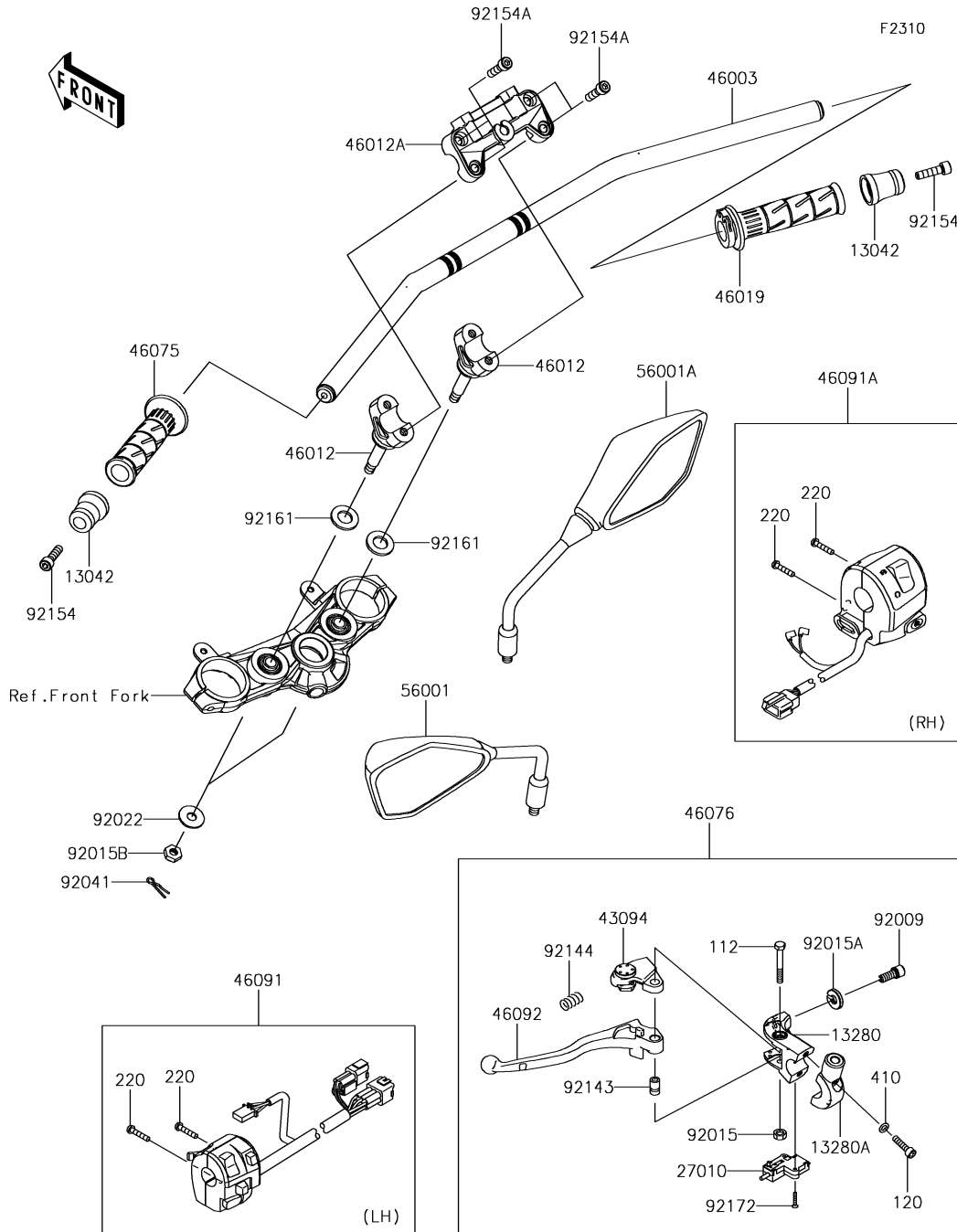
Ref. No.	Part No.	Description	Spec Code	Quantity	
				'18	BJJ
11057	11057-0258	BRACKET		1	
13159	13159-0008	CONNECTOR		1	
43010	43010-0020	ROD-ASSY-BRAKE		1	
43015	43015-0650	CYLINDER-ASSY-MASTER,RR		1	
43020	43020-1094	PISTON-COMP-BRAKE		1	
43026	43026-0009	CAP-BRAKE		1	
43027	43027-1053	PLATE-DIAPHRAGM		1	
43028	43028-1065	DIAPHRAGM		1	
43078	43078-0060	RESERVOIR		1	
43095	43095-1426	HOSE-BRAKE,RR M/CYL.-ABS UNIT		1	
43095A	43095-1432	HOSE-BRAKE,RR M/CYL.		1	
43095B	43095-1494	HOSE-BRAKE,ABS UNIT-RR CALIPER		1	
49016	49016-1103	COVER-SEAL,BRAKE PISTON		1	
49091	49091-0001	WASHER-SEAL,10.1X14.5X1.5		8	
92033	92033-0079	RING-SNAP,20.9X24.6X1.2		1	
92033A	92033-1186	RING-SNAP,20.5MM		1	
92043	92043-0904	PIN		1	
92055	92055-0741	RING-O,14.8X2.4		1	
92150	92150-1837	BOLT,SOCKET,8X25		2	
92153	92153-0627	BOLT,OIL,L=23		2	
92154	92154-1055	BOLT,FLANGED,6X16		2	
92154A	92154-1138	BOLT,BANJO,10X22		2	
92154B	92154-2685	BOLT,FLANGED,6X16		1	
92170	92170-1091	CLAMP,HOSE		2	
92171	92171-0817	CLAMP		1	
92173	92173-1613	CLAMP,HOSE&SENSOR LINE		3	
92173A	92173-1640	CLAMP,SWA,FR		1	
92173B	92173-1768	CLAMP,SWA,RR		1	
225	225AB0412	SCREW-PAN-WSP-CROS,4X12		1	
550	550AA2015	PIN-COTTER,2.0X15		1	

'18 ZR900 BJJ



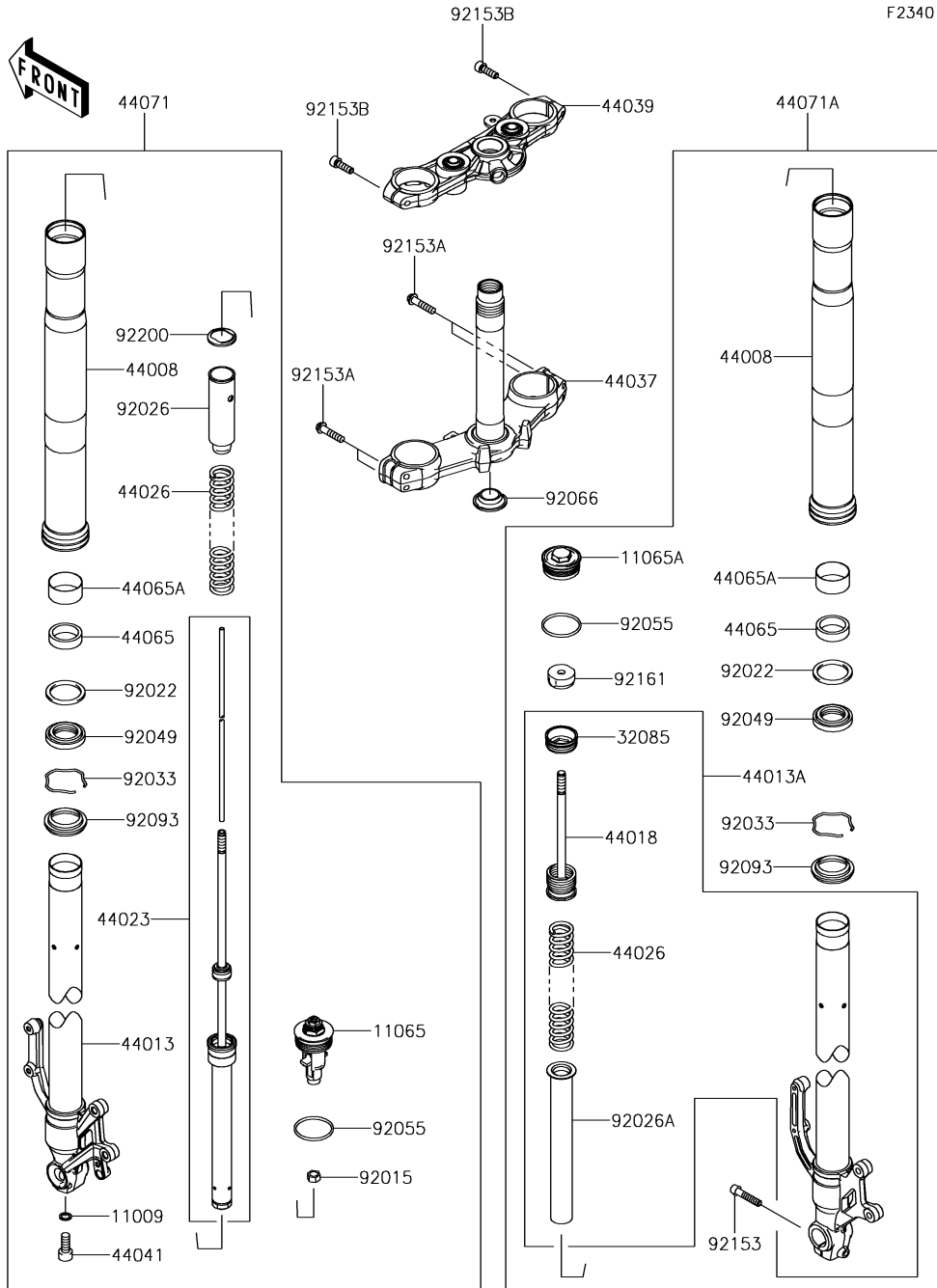
45. Rear Brake

Ref. No.	Part No.	Description	Spec Code	Quantity			
				'18			
				BJF			
13070	13070-0795	GUIDE,BRACKET RETAINER					1
21007	21007-0645	ROTOR,SENSOR,RR					1
21176	21176-0870	SENSOR,SPEED,RR					1
41080	41080-0668	DISC,RR					1
42036	42036-0050	SLEEVE					1
43044	43044-0082	HOLDER-COMP-CALIPER					1
43048	43048-0008	PISTON-CALIPER					1
43056	43056-1055	BREATHER					1
43057	43057-1001	CAP-BREATHER					1
43058	43058-1100	RING,STOPPER					1
43080	43080-0156-DJ	CALIPER-SUB-ASSY,RR,BLACK					1
43082	43082-0151	PAD-ASSY-BRAKE					1
49006	49006-0058	BOOT					1
49006A	49006-1242	BOOT,CALIPER					1
92043	92043-0137	PIN					1
92043A	92043-0820	PIN,HANGER					1
92049	92049-1449	SEAL-OIL					1
92049A	92049-1450	SEAL-OIL					1
92145	92145-0493	SPRING,PAD					1
92153	92153-1826	BOLT,FLANGED					1
92154	92154-0784	BOLT,FLANGED,6X18					1
92154A	92154-1865	BOLT,SOCKET,8X30					4
92173	92173-1637	CLAMP,CALIPER HOLDER					1
92173A	92173-1638	CLAMP,PIPE JOINT					1
120	120CA0645	BOLT-SOCKET,6X45					1
132	132BA0612	BOLT-FLANGED-SMALL,6X12					1

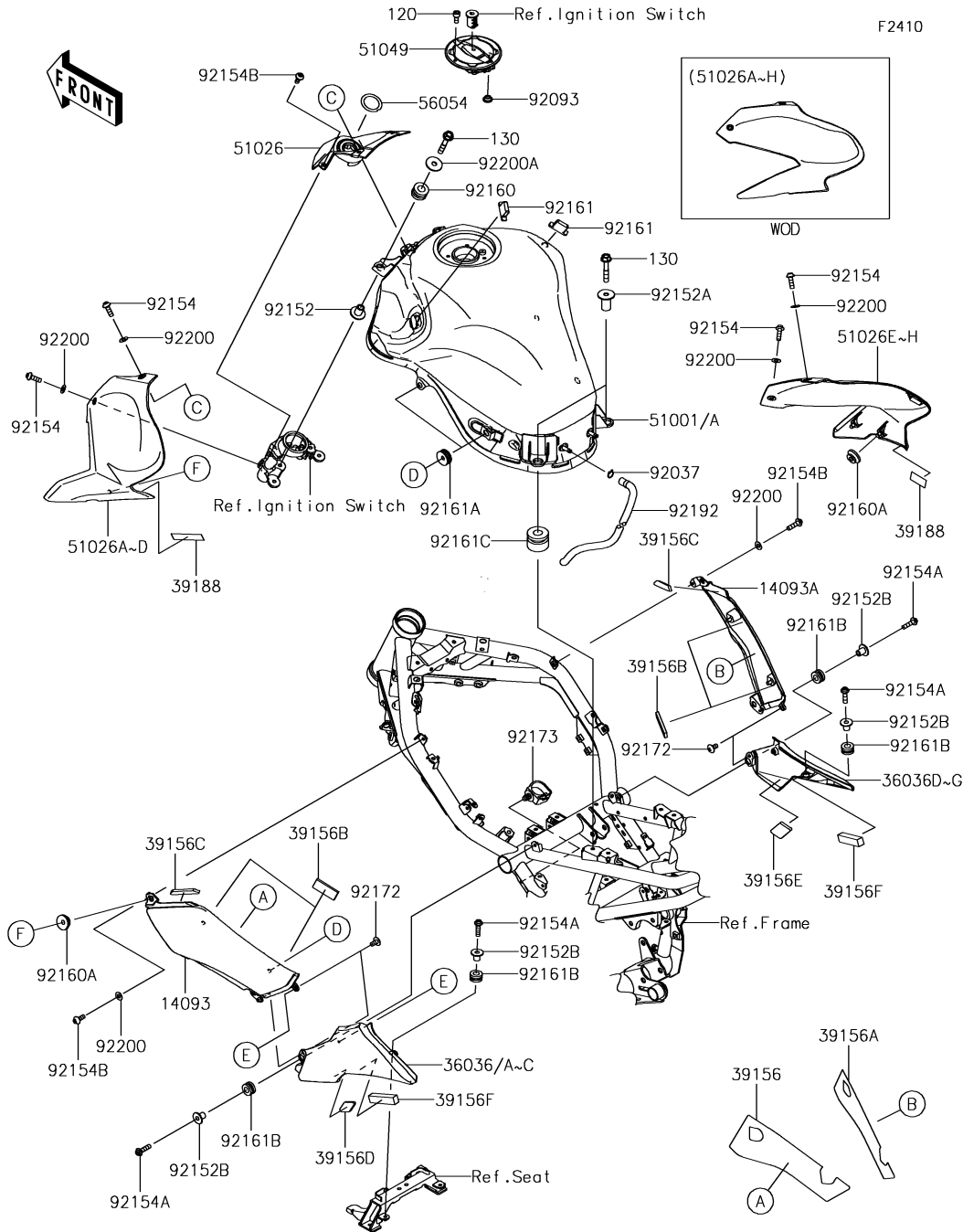


46. Handlebar

Ref. No.	Part No.	Description	Spec Code	Quantity	
				'18	BJJ
13042	13042-5011	WEIGHT,HANDLE		2	
13280	13280-0306	HOLDER,CLUTCH LEVER		1	
13280A	13280-0307	HOLDER,CLUTCH LEVER		1	
27010	27010-0849	SWITCH,CLUTCH		1	
43094	43094-0009	ADJUSTER		1	
46003	46003-0673-18R	HANDLE,F.S.BLACK		1	
46012	46012-0376-18R	HOLDER-HANDLE,LWR,F.S.BLACK		2	
46012A	46012-0377-18R	HOLDER-HANDLE,UPP,F.S.BLACK		1	
46019	46019-0001	GRIP-ASSY,THROTTLE		1	
46075	46075-1144	GRIP,HANDLE,LH		1	
46076	46076-0122	LEVER-ASSY-GRIP		1	
46091	46091-0344	HOUSING-ASSY-CONTROL,LH		1	
46091A	46091-0345	HOUSING-ASSY-CONTROL,RH		1	
46092	46092-0569	LEVER-GRIP,CLUTCH		1	
56001	56001-0299	MIRROR-ASSY,LH		1	
56001A	56001-0300	MIRROR-ASSY,RH		1	
92009	92009-1134	SCREW,CABLE ADJUST,8MM,BLACK		1	
92015	92015-1191	NUT,LOCK,6MM,BLACK		1	
92015A	92015-1197	NUT,CABLE ADJUST LOCK,8MM,BLK		1	
92015B	92015-1962	NUT,LOCK,10MM		2	
92022	92022-1088	WASHER,10.2X28X2		2	
92041	92041-1060	COTTER,8MM		2	
92143	92143-1379	COLLAR		1	
92144	92144-1467	SPRING		1	
92154	92154-1866	BOLT,SOCKET,8X30		2	
92154A	92154-2683	BOLT,SOCKET,8X30		4	
92161	92161-0037	DAMPER		2	
92172	92172-0183	SCREW,3X16		2	
112	112BB0645	BOLT-UPSET,6X45		1	
120	120CB0625	BOLT-SOCKET,6X25		2	
220	220AB0525	SCREW-PAN-CROS,5X25		4	
410	410AB0600	WASHER-PLAIN-SMALL,6MM		2	

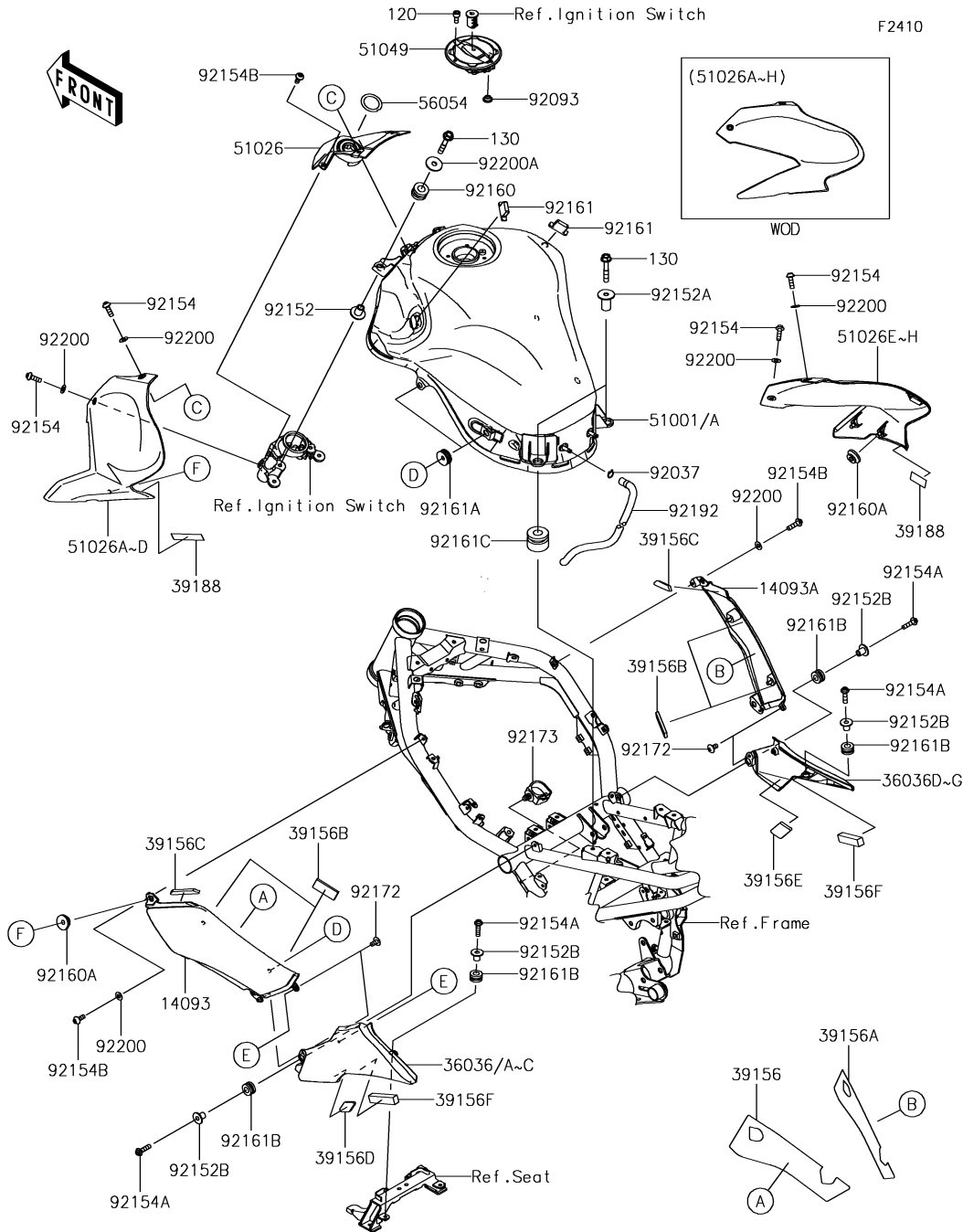


Ref. No.	Part No.	Description	Spec Code	Quantity			
				'18			
				BJJ			
11009	11009-1325	GASKET,10.5X15X1.5					1
11065	11065-0972-58Z	CAP,COMP.,LH,BLACK					1
11065A	11065-0973-11G	CAP,COMP.,RH,GRAY					1
32085	32085-0742	STOPPER					1
44008	44008-0062-499	PIPE-FORK OUTER,A.BLACK					2
44013	44013-0292	PIPE-FORK INNER,LH					1
44013A	44013-0319	PIPE-FORK INNER,RH					1
44018	44018-0003	PISTON-FORK					1
44023	44023-0139	CYLINDER-SET-FORK,LH					1
44026	44026-0208	SPRING-FRONT FORK					2
44037	44037-0167-18R	HOLDER-FORK UNDER,F.S.BLACK					1
44039	44039-0167-18R	HOLDER-FORK UPPER,F.S.BLACK					1
44041	44041-040	BOLT,SOCKET,FORK CYLINDER					1
44065	44065-0042	BUSHING-FRONT FORK					2
44065A	44065-1114	BUSHING-FRONT FORK,INNER PIPE					2
44071	44071-1222-58Z	DAMPER-ASSY,FORK,LH,BLACK					1
44071A	44071-1223-58Z	DAMPER-ASSY,FORK,RH,BLACK					1
92015	92015-1795	NUT					1
92022	92022-1298	WASHER,FORK OUTER TUBE					2
92026	92026-0045	SPACER,FORK					1
92026A	92026-0837	SPACER					1
92033	92033-1036	RING-SNAP					2
92049	92049-0073	SEAL-OIL					2
92055	92055-0145	RING-O					2
92066	92066-0032	PLUG					1
92093	92093-1472	SEAL,FORK OUTER TUBE					2
92153	92153-0506	BOLT,SOCKET,8X40					1
92153A	92153-0649	BOLT,FLANGED,8X35					4
92153B	92153-1625	BOLT,SOCKET,8X25					2
92161	92161-1490	DAMPER,RUBBER CUSHION					1
92200	92200-0085	WASHER					1



48. Fuel Tank

Ref. No.	Part No.	Description	Spec Code	Quantity	
				'18	BJJ
14093	14093-0667	COVER,KNEE GRIP,LH		1	
14093A	14093-0668	COVER,KNEE GRIP,RH		1	
36036	36036-5092-36P	COVER-SIDE,SEAT,LH,P.M.GRAY		1	
36036A	36036-5092-45L	COVER-SIDE,SEAT,LH,F.EBONY		1	
36036B	36036-5092-660	COVER-SIDE,SEAT,LH,M.S.BLACK		1	
36036C	36036-5092-739	COVER-SIDE,SEAT,LH,M.F.S.BLACK		1	
36036D	36036-5093-36P	COVER-SIDE,SEAT,RH,P.M.GRAY		1	
36036E	36036-5093-45L	COVER-SIDE,SEAT,RH,F.EBONY		1	
36036F	36036-5093-660	COVER-SIDE,SEAT,RH,M.S.BLACK		1	
36036G	36036-5093-739	COVER-SIDE,SEAT,RH,M.F.S.BLACK		1	
39156	39156-2147	PAD,KNEE GRIP COVER,LH		1	
39156A	39156-2148	PAD,KNEE GRIP COVER,RH		1	
39156B	39156-2191	PAD,20X50X5		4	
39156C	39156-2192	PAD,10X76X5		2	
39156D	39156-2194	PAD,20X20X5		1	
39156E	39156-2195	PAD,25X50X5		1	
39156F	39156-2215	PAD,15X66X10		2	
39188	39188-0564	TAPE,8X35		2	
51001	51001-0861-660	TANK-COMP-FUEL,M.S.BLACK		1	
51001A	51001-0861-739	TANK-COMP-FUEL,M.F.S.BLACK		1	
51026	51026-0013	COVER TANK,CNT		1	
51026A	51026-5094-36P	COVER TANK,LH,P.M.GRAY,WOD		1	
51026B	51026-5094-45L	COVER TANK,LH,F.EBONY,WOD		1	
51026C	51026-5094-51P	COVER TANK,LH,C.L.GREEN,WOD		1	
51026D	51026-5094-A5	COVER TANK,LH,C.P.RED,WOD		1	
51026E	51026-5095-36P	COVER TANK,RH,P.M.GRAY,WOD		1	
51026F	51026-5095-45L	COVER TANK,RH,F.EBONY,WOD		1	
51026G	51026-5095-51P	COVER TANK,RH,C.L.GREEN,WOD		1	
51026H	51026-5095-A5	COVER TANK,RH,C.P.RED,WOD		1	
51049	51049-0735	CAP-TANK		1	
56054	56054-1975	MARK,IG. SWITCH		1	
92037	92037-010	CLAMP,TUBE		1	
92093	92093-1030	SEAL,FUEL TANK CAP		1	
92152	92152-1847	COLLAR,6.3X9.5X14.1		2	
92152A	92152-2252	COLLAR,6.3X12X22.6		2	
92152B	92152-2342	COLLAR,5.6X8X11.2		4	
92154	92154-0209	BOLT,SOCKET,5X16		4	
92154A	92154-0210	BOLT,SOCKET,5X20		4	
92154B	92154-1421	BOLT,SOCKET,5X12		4	
92160	92160-1167	DAMPER,10X20X12		2	



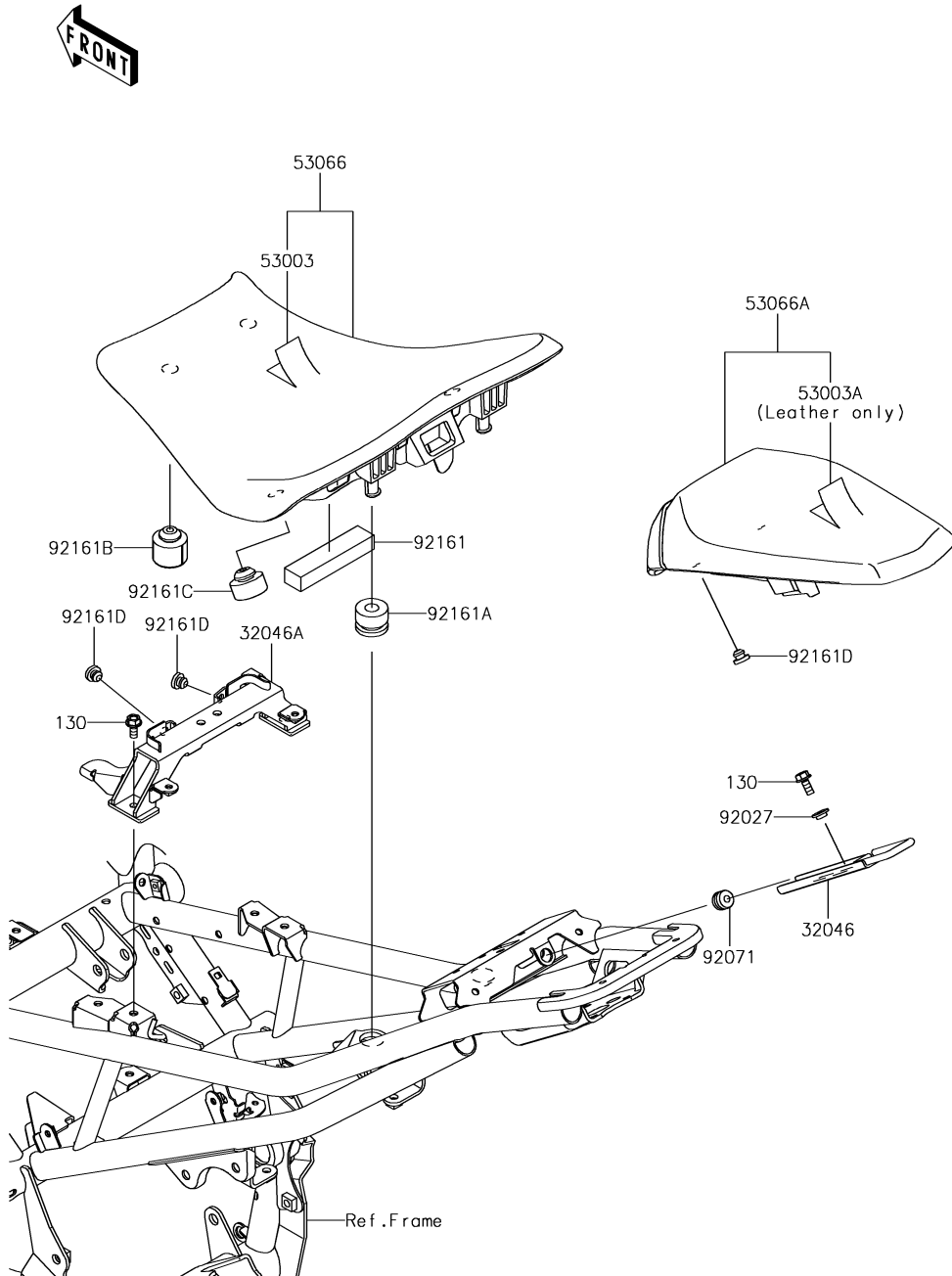
Ref. No.	Part No.	Description	Spec Code	Quantity	
				'18	BJJ
92160A	92160-1613	DAMPER		2	
92161	92161-0365	DAMPER		2	
92161A	92161-0588	DAMPER		4	
92161B	92161-0685	DAMPER,8X16X8.6		4	
92161C	92161-1468	DAMPER,12X28X21		2	
92172	92172-0864	SCREW,5X10		4	
92173	92173-0861	CLAMP		1	
92192	92192-1688	TUBE,6X9X670/30		1	
92200	92200-0006	WASHER,NYLON,5.3X11.5X0.5		6	
92200A	92200-1087	WASHER,6.5X22X1.6		2	
120	120CA0512	BOLT-SOCKET,5X12		4	
130	130BA0635	BOLT-FLANGED,6X35		4	

F2510

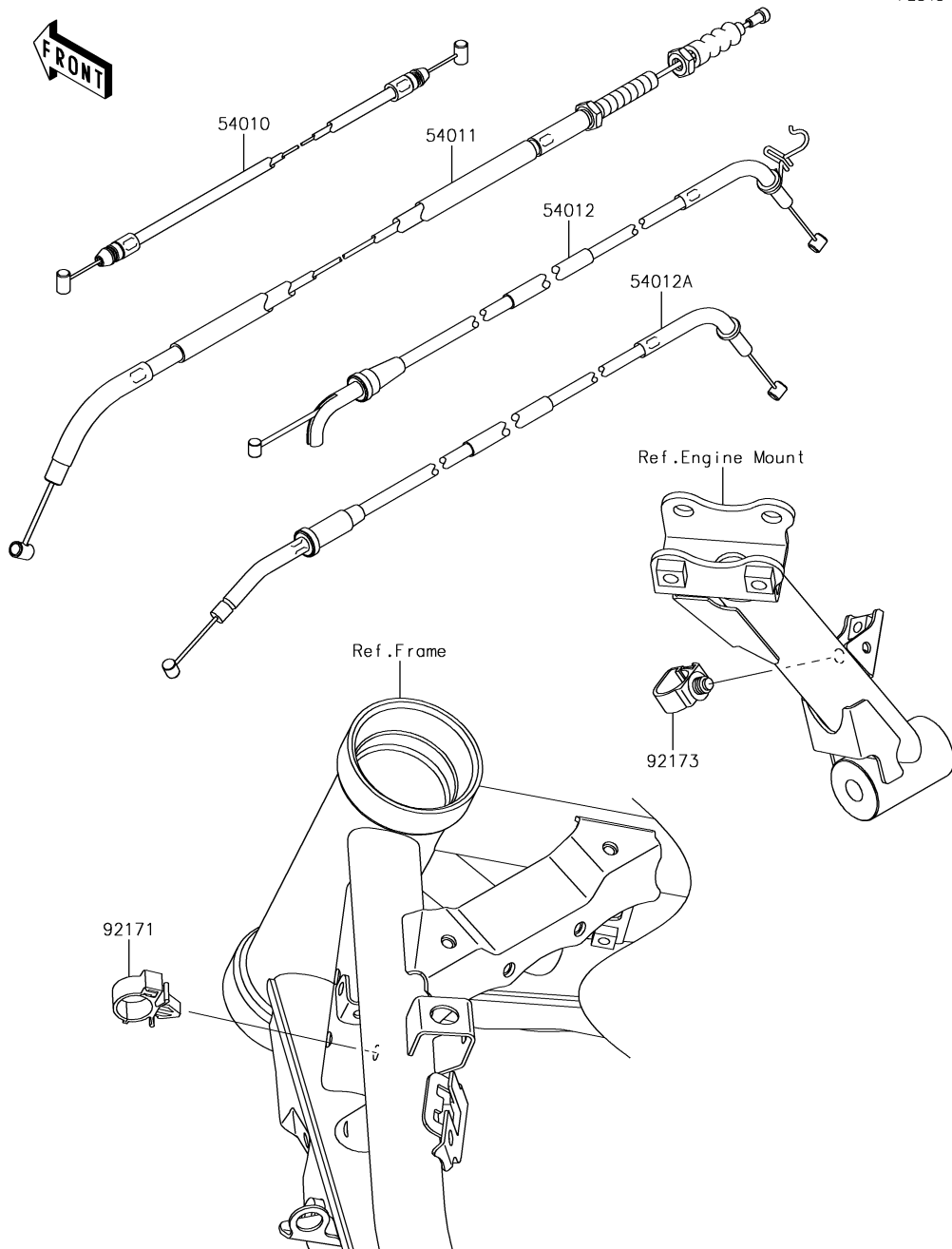
49. Seat

Ref. No.	Part No.	Description	Spec Code	Quantity			
				'18			
				BJF			

32046	32046-0401	BRACKET-SEAT,FR LOCK		1
32046A	32046-0418	BRACKET-SEAT,FR		1
53003	53003-0432-MA	LEATHER,FR SEAT,BLACK		1
53003A	53003-0433-MA	LEATHER,RR SEAT,BLACK		1
53066	53066-0581-MA	SEAT-ASSY,FR,BLACK		1
53066A	53066-0582-12Y	SEAT-ASSY,RR,BLACK+BLK		1
92027	92027-1168	COLLAR,L=4.6		1
92071	92071-0038	GROMMET		1
92161	92161-1867	DAMPER,20X90X15		1
92161A	92161-1913	DAMPER,12X28X21		2
92161B	92161-1969	DAMPER,14X30X22		2
92161C	92161-1970	DAMPER,14X30X14.5		2
92161D	92161-1971	DAMPER		4
130	130CA0614	BOLT-FLANGED,6X14		3



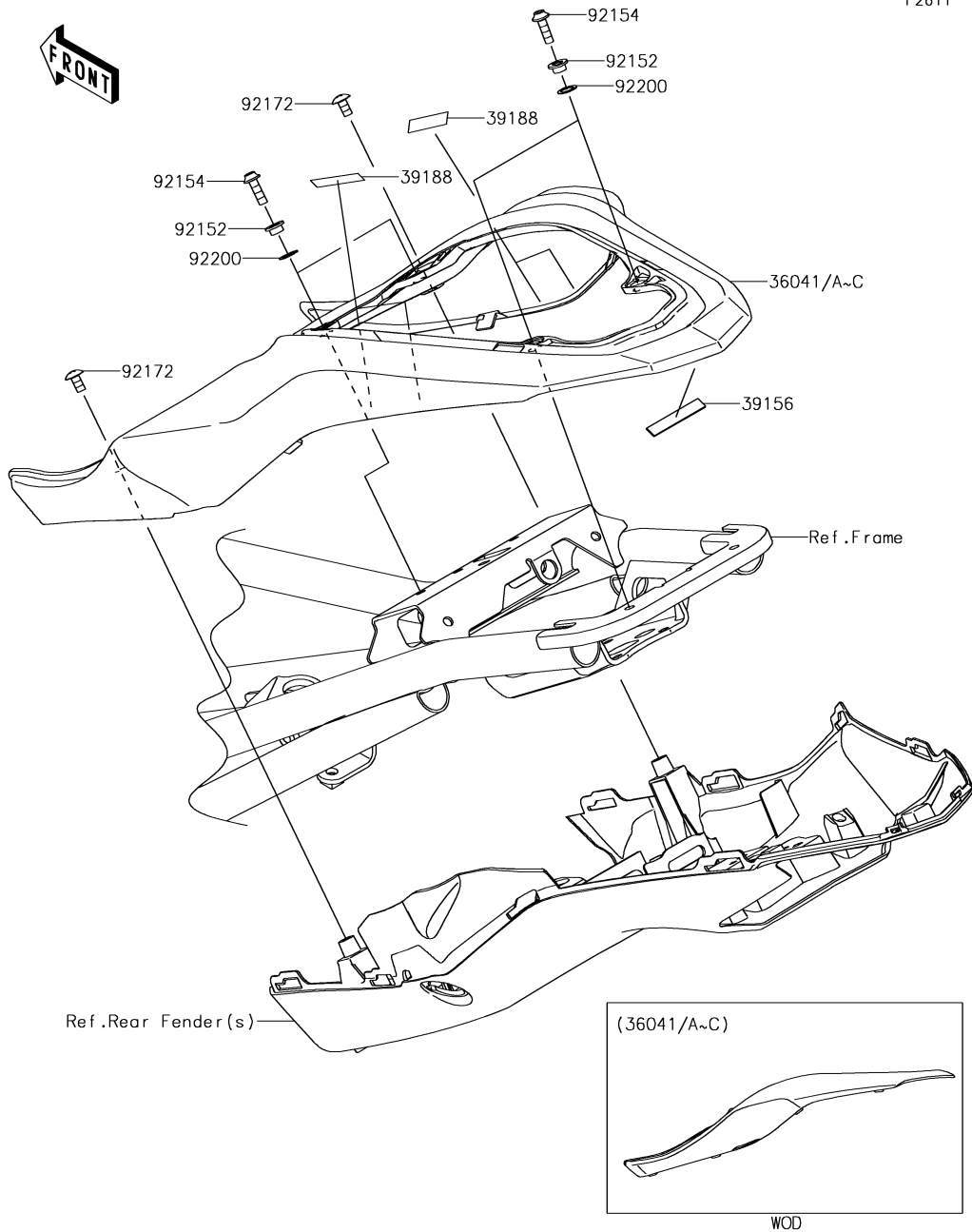
F2540



51. Cables

Ref. No.	Part No.	Description	Spec Code	Quantity			
				'18			
54010	54010-0614	CABLE,SEAT LOCK					1
54011	54011-0618	CABLE-CLUTCH					1
54012	54012-0646	CABLE-THROTTLE					1
54012A	54012-0647	CABLE-THROTTLE					1
92171	92171-0782	CLAMP					1
92173	92173-0868	CLAMP,HOLDER CLIP					1

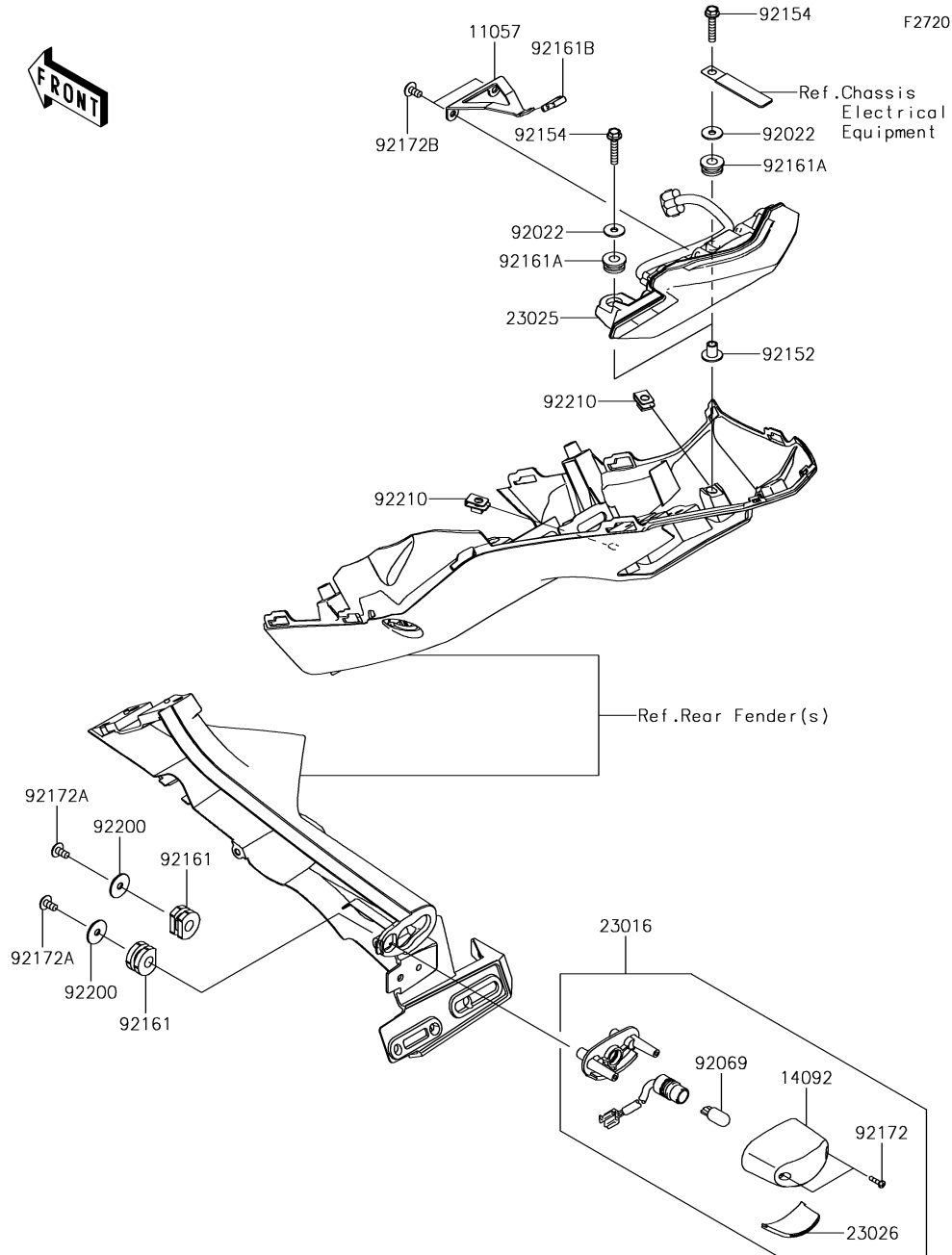
F2611



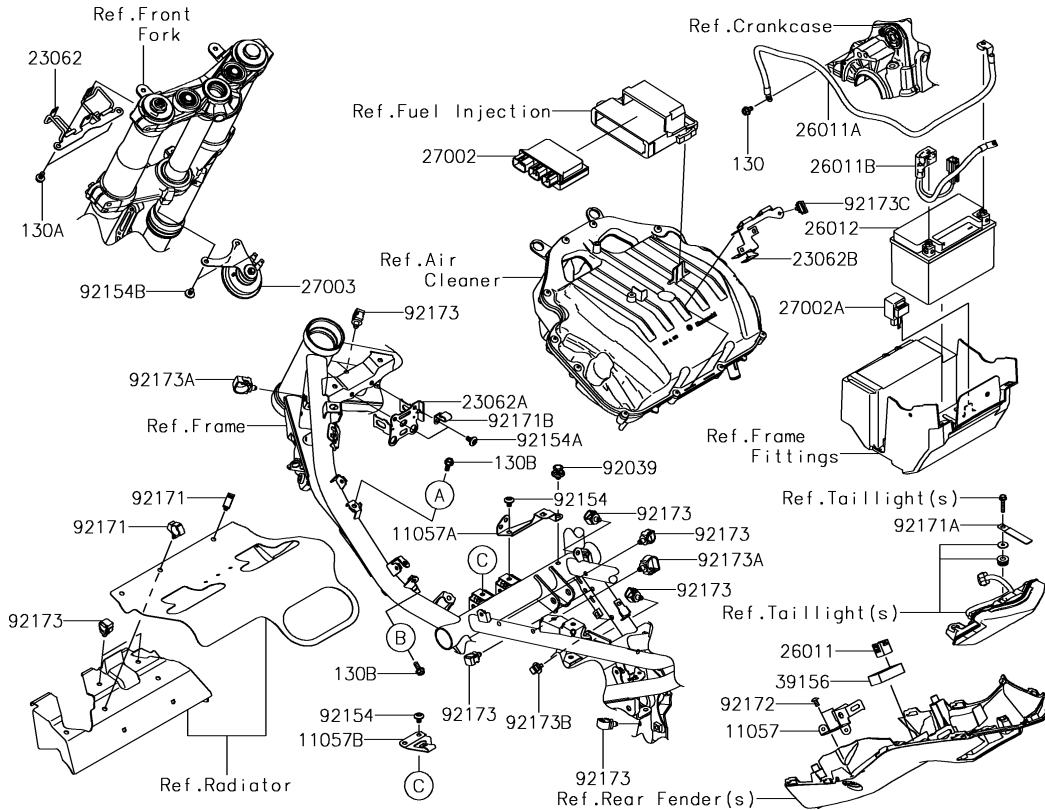
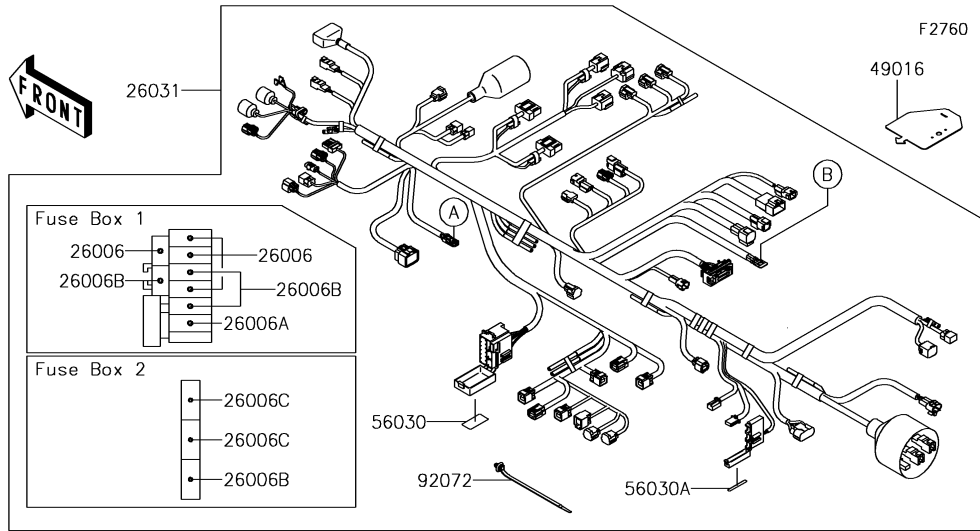
52. Side Covers

Ref. No.	Part No.	Description	Spec Code	Quantity			
				'18			
36041	36041-5264-36P	COVER-TAIL,P.M.GRAY,WOD					1
36041A	36041-5264-51P	COVER-TAIL,C.L.GREEN,WOD					1
36041B	36041-5264-660	COVER-TAIL,M.S.BLACK,WOD					1
36041C	36041-5264-A5	COVER-TAIL,C.P.RED,WOD					1
39156	39156-2181	PAD,7X44X1					1
39188	39188-0564	TAPE,8X35					4
92152	92152-2339	COLLAR,5.6X8X5					4
92154	92154-0209	BOLT,SOCKET,5X16					4
92172	92172-1194	SCREW,5X10					2
92200	92200-1887	WASHER,8.2X12X0.5					4

54. Taillight(s)

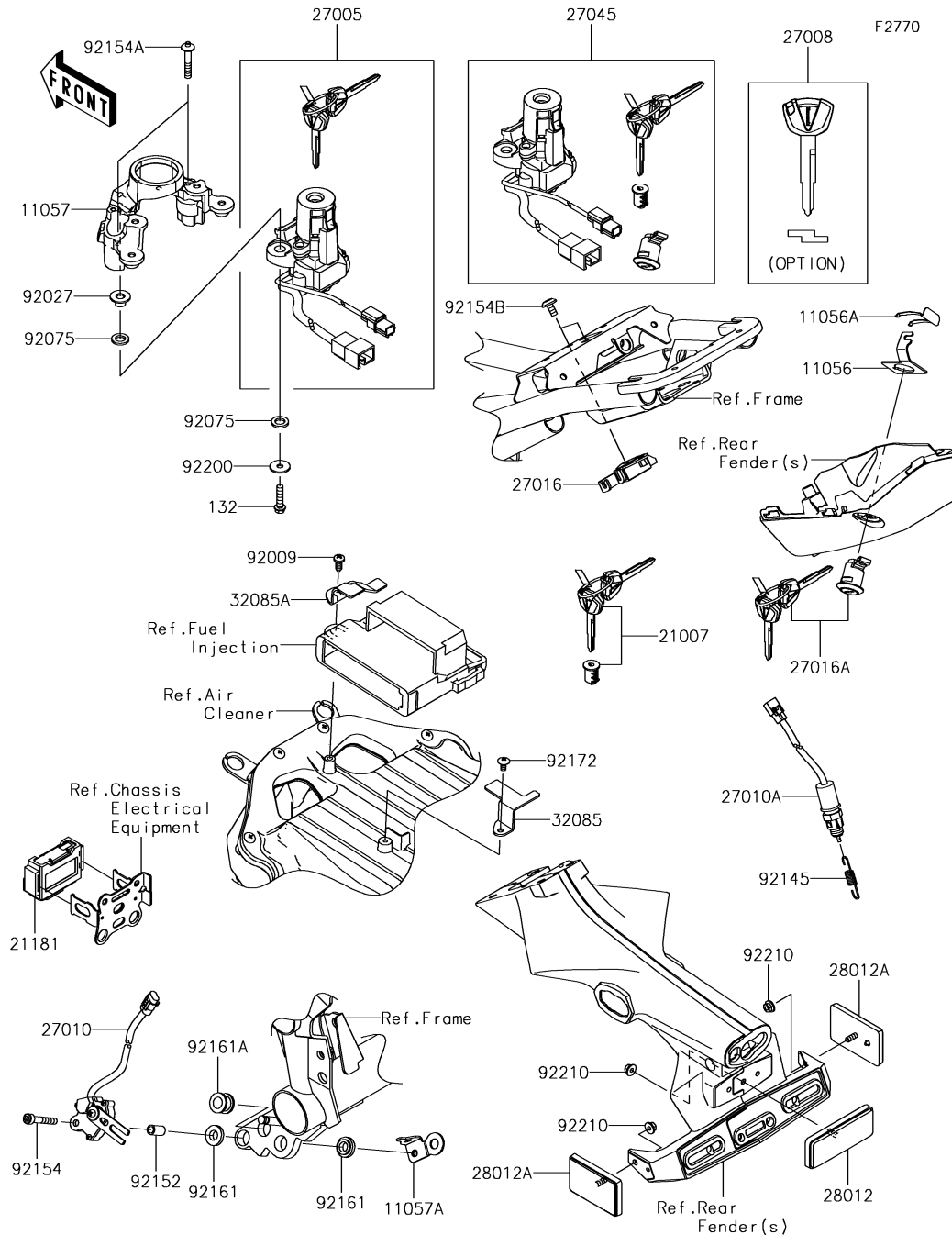


Ref. No.	Part No.	Description	Spec Code	Quantity	
				'18	BJJ
11057	11057-0247	BRACKET, TAIL LAMP		1	
14092	14092-0001	COVER, LICENSE LAMP		1	
23016	23016-0607	LAMP-ASSY, LICENSE		1	
23025	23025-0361	LAMP-TAIL		1	
23026	23026-0028	LENS, LICENCE LAMP		1	
92022	92022-263	WASHER, 5.2X16X1.2		2	
92069	92069-1016	BULB, 12V 5W		1	
92152	92152-1562	COLLAR, 5.6X8X11.2		2	
92154	92154-2682	BOLT, FLANGED, 5X25		2	
92161	92161-0776	DAMPER		2	
92161A	92161-1369	DAMPER, 8X18X8.1		2	
92161B	92161-1917	DAMPER		1	
92172	92172-0343	SCREW, TAPPING, 2.9X13		2	
92172A	92172-0427	SCREW, TAPPING, 5X16		2	
92172B	92172-0864	SCREW, 5X10		2	
92200	92200-0284	WASHER, 5.5X20X1.2		2	
92210	92210-0935	NUT, PLATE, 5MM		2	



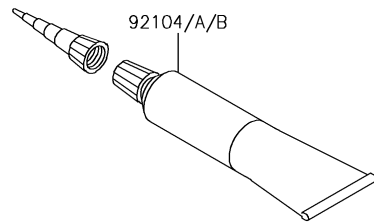
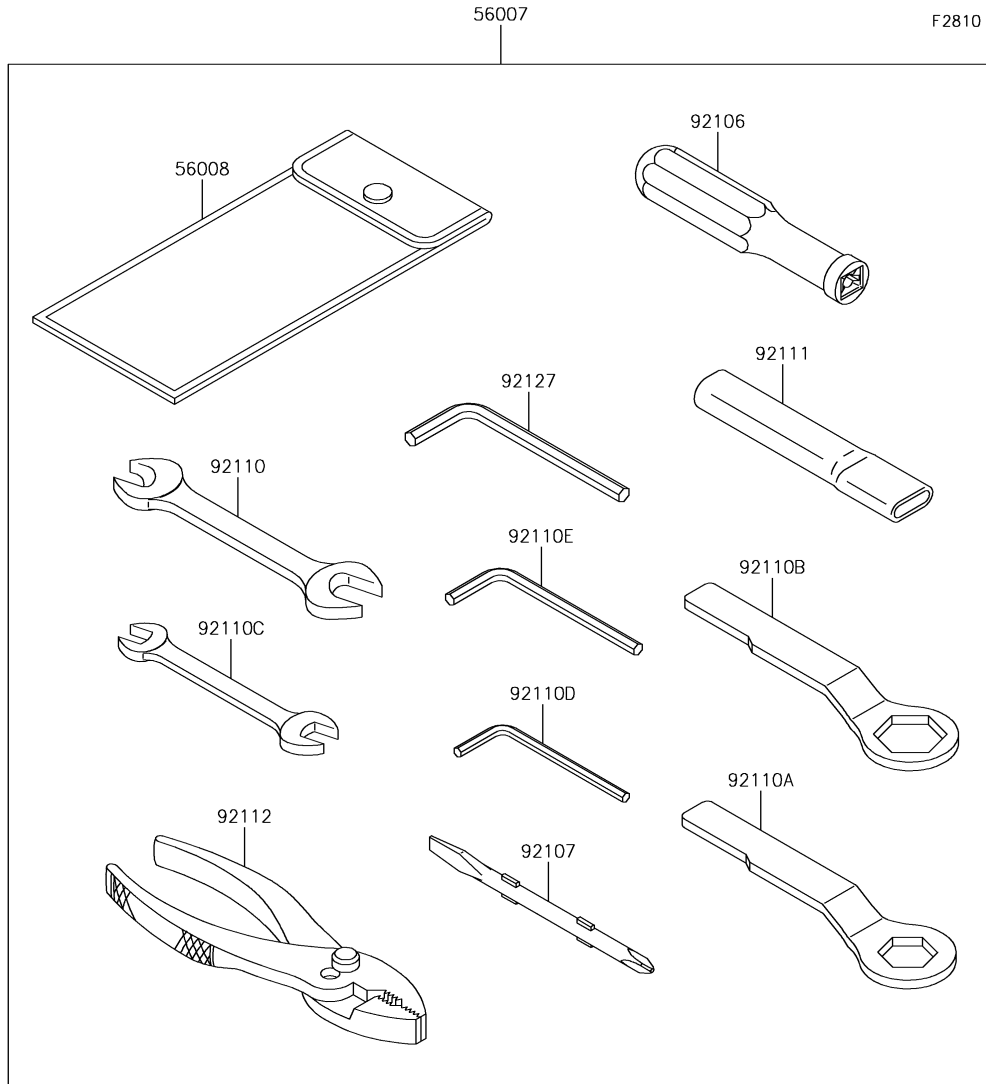
Ref. No.	Part No.	Description	Spec Code	Quantity			
				'18			
				BJJ			
11057	11057-0316	BRACKET,RELAY					1
11057A	11057-0317	BRACKET,MAIN HARNESS					1
11057B	11057-0563	BRACKET,CONNECTOR					1
23062	23062-0893	BRACKET-COMP,UPP HOLDER					1
23062A	23062-0894	BRACKET-COMP,V.D. SENSOR					1
23062B	23062-0930	BRACKET-COMP,A/C BOX					1
26006	26006-0001	FUSE,MINI BLADE,15A,BLUE					4
26006A	26006-0052	FUSE,MINI BLADE,2A,GRAY					1
26006B	26006-0055	FUSE,MINI BLADE,7.5A,BROWN					4
26006C	26006-1080	FUSE,MINI BLADE,30A,GREEN					2
26011	26011-0275	WIRE-LEAD,CONNECTOR COVER					1
26011A	26011-0947	WIRE-LEAD,BATTERY(-)					1
26011B	26011-0948	WIRE-LEAD,BATTERY(+)					1
26012	26012-0730	BATTERY,FTX9-BS,12V 8AH					1
26031	26031-2351	HARNESS,MAIN					1
27002	27002-0025	RELAY-ASSY,BOX					1
27002A	27002-1097	RELAY-ASSY,SIGNAL LAMP					1
27003	27003-0121	HORN					1
39156	39156-2146	PAD,32X52X15					1
49016	49016-0645	COVER-SEAL					1
56030	56030-0992	LABEL,FUSE BOX1					1
56030A	56030-0993	LABEL,FUSE BOX2					1
92039	92039-0014	RIVET,HOLE 8MM					1
92072	92072-1414	BAND,OS170-FT7(BLACK)					18
92154	92154-0774	BOLT,SOCKET,6X10					2
92154A	92154-2355	BOLT,SOCKET,6X12					2
92154B	92154-2667	BOLT,SOCKET,6X10					2
92171	92171-0316	CLAMP,BRAKE HOSE					2
92171A	92171-0652	CLAMP,L=60					1
92171B	92171-0926	CLAMP					1
92172	92172-0864	SCREW,5X10					2
92173	92173-0736	CLAMP,12MM DIA.					8
92173A	92173-0861	CLAMP					2
92173B	92173-1022	CLAMP,CABLE CLIP					1
92173C	92173-1429	CLAMP,CLIP,TAIL LAMP,ETC					1
130	130BA0610	BOLT-FLANGED,6X10					1
130A	130BA0612	BOLT-FLANGED,6X12					2
130B	130BA0616	BOLT-FLANGED,6X16					2

'18 ZR900 BJJ



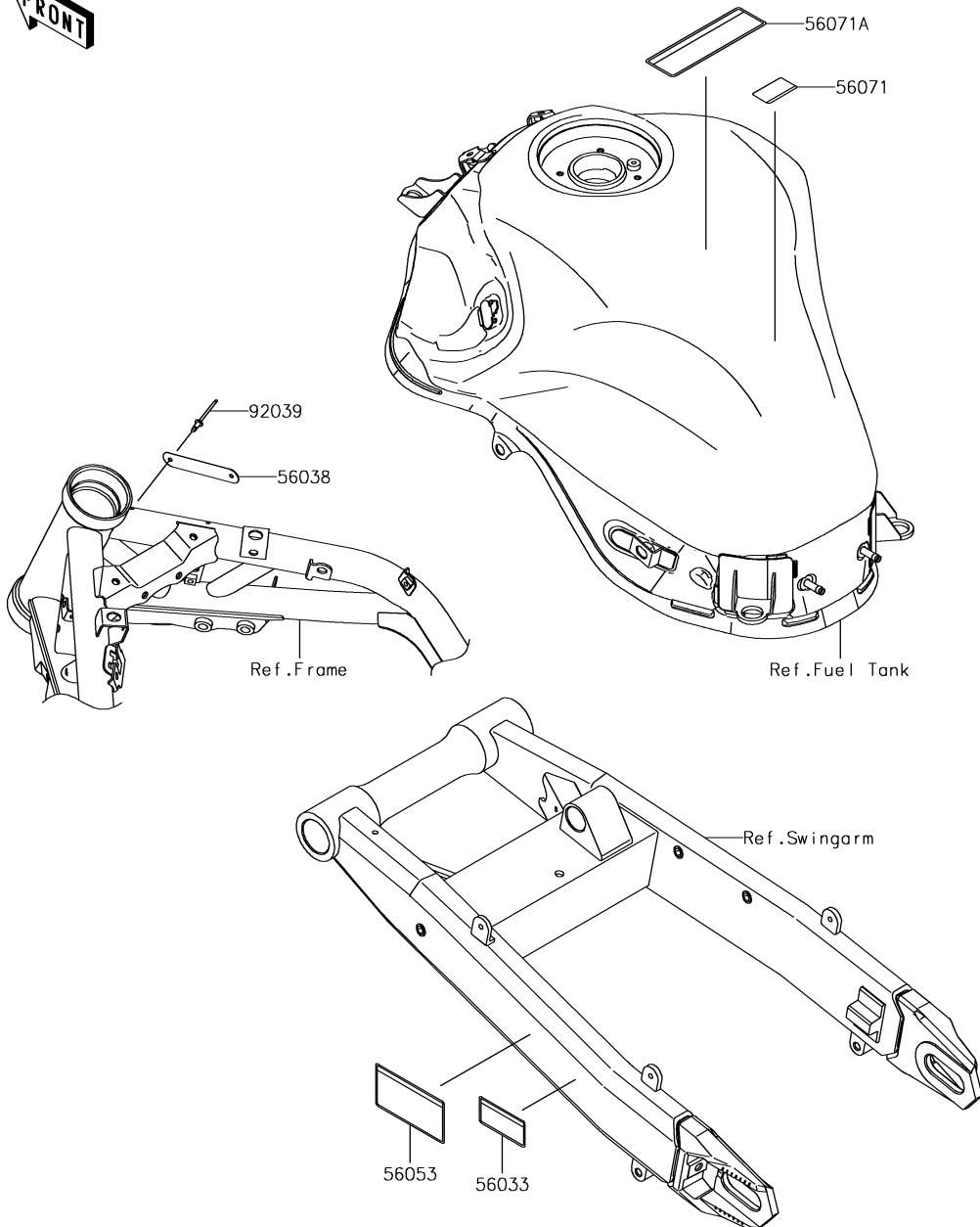
57. Ignition Switch

Ref. No.	Part No.	Description	Spec Code	Quantity			
				'18			
				BJJ			
11056	11056-0237	BRACKET			1		
11056A	11056-0238	BRACKET,CLASP			1		
11057	11057-0251	BRACKET,IG. SWITCH			1		
11057A	11057-0319	BRACKET			1		
21007	21007-5072	ROTOR,LOCK,TANK,CAP			1		
21181	21181-0014	AMPLIFIER,IMMOBI			1		
27005	27005-0590	SWITCH-ASSY-IGNITION,IMMOBI			1		
27008	27008-0558	KEY-LOCK,BLANK,IMMOBI (OPTION)			1		
27010	27010-0722	SWITCH,SIDE STAND			1		
27010A	27010-0847	SWITCH,REAR BRAKE			1		
27016	27016-0008	LOCK-ASSY,SEAT STRIKER			1		
27016A	27016-5380	LOCK-ASSY,SEAT			1		
27045	27045-5484	SWITCH-ASSY			1		
28012	28012-1077	REFLECTOR-REFLEX			1		
28012A	28012-1088	REFLECTOR-REFLEX			2		
32085	32085-0820	STOPPER			1		
32085A	32085-0821	STOPPER			1		
92009	92009-3845	SCREW,6X14			1		
92027	92027-1045	COLLAR,L=9.6			2		
92075	92075-1564	DAMPER			4		
92145	92145-0946	SPRING,REAR BRAKE			1		
92152	92152-2274	COLLAR,6.5X9.5X17			1		
92154	92154-0505	BOLT,SOCKET,6X40			1		
92154A	92154-2207	BOLT,E TYPE TORX,6X35			2		
92154B	92154-2355	BOLT,SOCKET,6X12			2		
92161	92161-0117	DAMPER			2		
92161A	92161-0118	DAMPER			1		
92172	92172-0864	SCREW,5X10			1		
92200	92200-0780	WASHER,6X20X1.6			2		
92210	92210-0007	NUT,FLANGED,5MM			3		
132	132BA0625	BOLT-FLANGED-SMALL,6X25			2		



Ref. No.	Part No.	Description	Spec Code	Quantity					
				'18					
				BJF					
56007	56007-0108	TOOL-KIT							1
56008	56008-0036	BAG,TOOL							1
92104	92104-0004	GASKET-LIQUID,TB1211F,CLEAR							1
92104A	92104-1064	GASKET-LIQUID,TB1216B,BLACK							1
92104B	92104-2068	GASKET-LIQUID,TB1207B,BLACK							1
92106	92106-0004	GRIP-SCREW DRIVER							1
92107	92107-0019	TOOL-DRIVER,#2PHILLIPS&SLOT							1
92110	92110-0057	TOOL-WRENCH,OPEN END,14X17							1
92110A	92110-0064	TOOL-WRENCH,BOX END,22MM							1
92110B	92110-0065	TOOL-WRENCH,BOX END,27MM							1
92110C	92110-0564	TOOL-WRENCH,OPEN END,10X12							1
92110D	92110-0567	TOOL-WRENCH,ALLEN,4MM							1
92110E	92110-1015	TOOL-WRENCH,ALLEN,5MM							1
92111	92111-0008	TOOL-BAR,WRENCH							1
92112	92112-0007	TOOL-PLIERS							1
92127	92127-003	TOOL-WRENCH,ALLEN,6MM							1

F2860

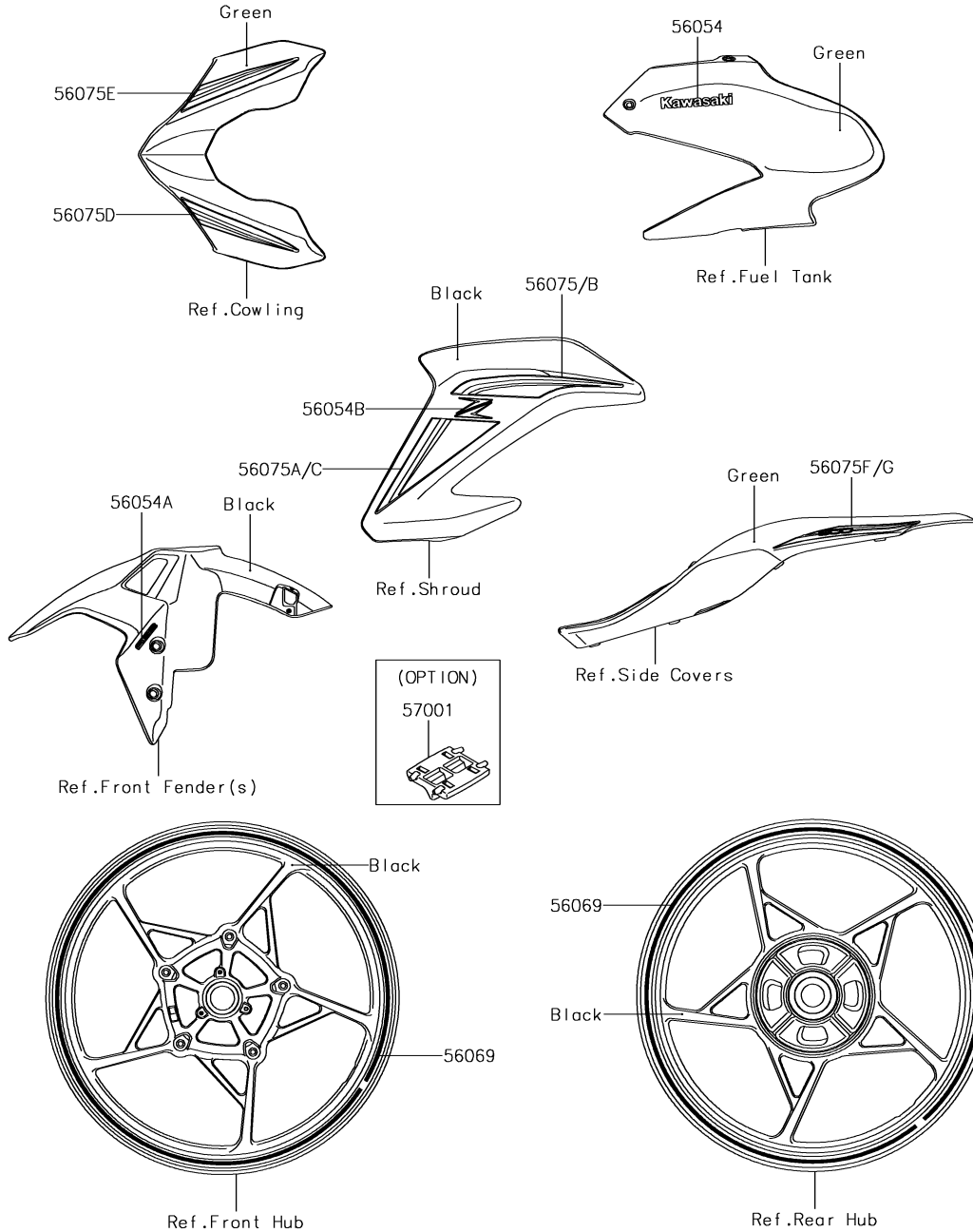


59. Labels

Ref. No.	Part No.	Description	Spec Code	Quantity			
				'18			
56033	56033-0897	LABEL-MANUAL,CHAIN					1
56038	56038-1054	LABEL-BRAND,KAWASAKI					1
56053	56053-1498	LABEL-SPECIFICATION,TIRE&LOAD					1
56071	56071-0694	LABEL-WARNING,FUEL,E5/E10					1
56071A	56071-0774	LABEL-WARNING,FUEL					1
92039	92039-1105	RIVET					2

'18 ZR900 BJJ

F2861

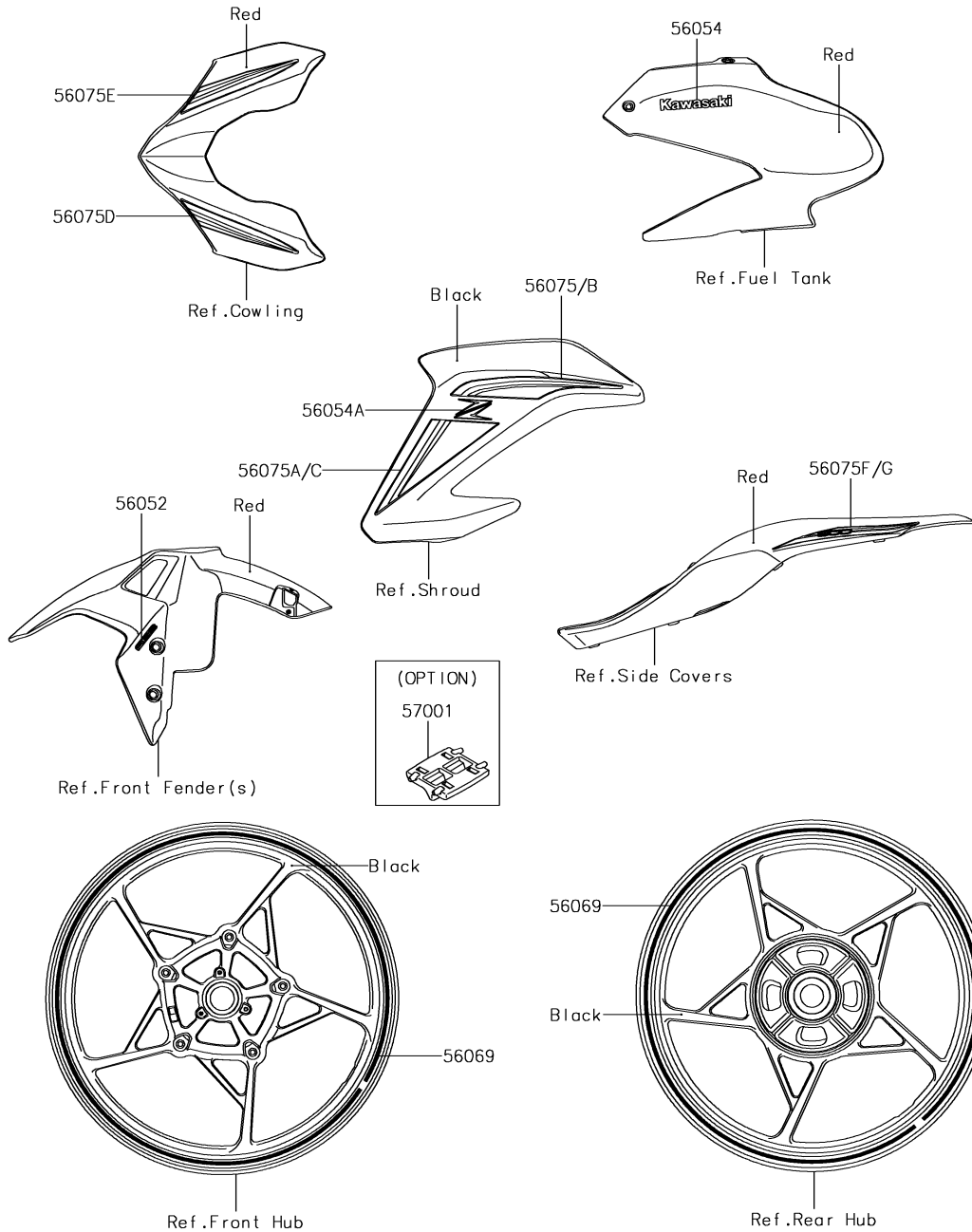


60. Decals(Green)

Ref. No.	Part No.	Description	Spec Code	Quantity			
				'18			
				BJF			
56054	56054-1356	MARK,KAWASAKI					2
56054A	56054-1370	MARK,FR FENDER,ABS					2
56054B	56054-2369	MARK,SHROUD,Z,3D					2
56069	56069-7822	PATTERN,WHEEL,GREEN,4X1353					4
56075	56075-3815	PATTERN,SHROUD,LH,UPP					1
56075A	56075-3816	PATTERN,SHROUD,LH,LWR					1
56075B	56075-3817	PATTERN,SHROUD,RH,UPP					1
56075C	56075-3818	PATTERN,SHROUD,RH,LWR					1
56075D	56075-3819	PATTERN,UPP COWL.,LH					1
56075E	56075-3820	PATTERN,UPP COWL.,RH					1
56075F	56075-3821	PATTERN,TAIL COVER,LH					1
56075G	56075-3822	PATTERN,TAIL COVER,RH					1
57001	57001-1752	RIM STRIPE APPLICATOR (OPTION)					AR

'18 ZR900 BJJ

F2861A

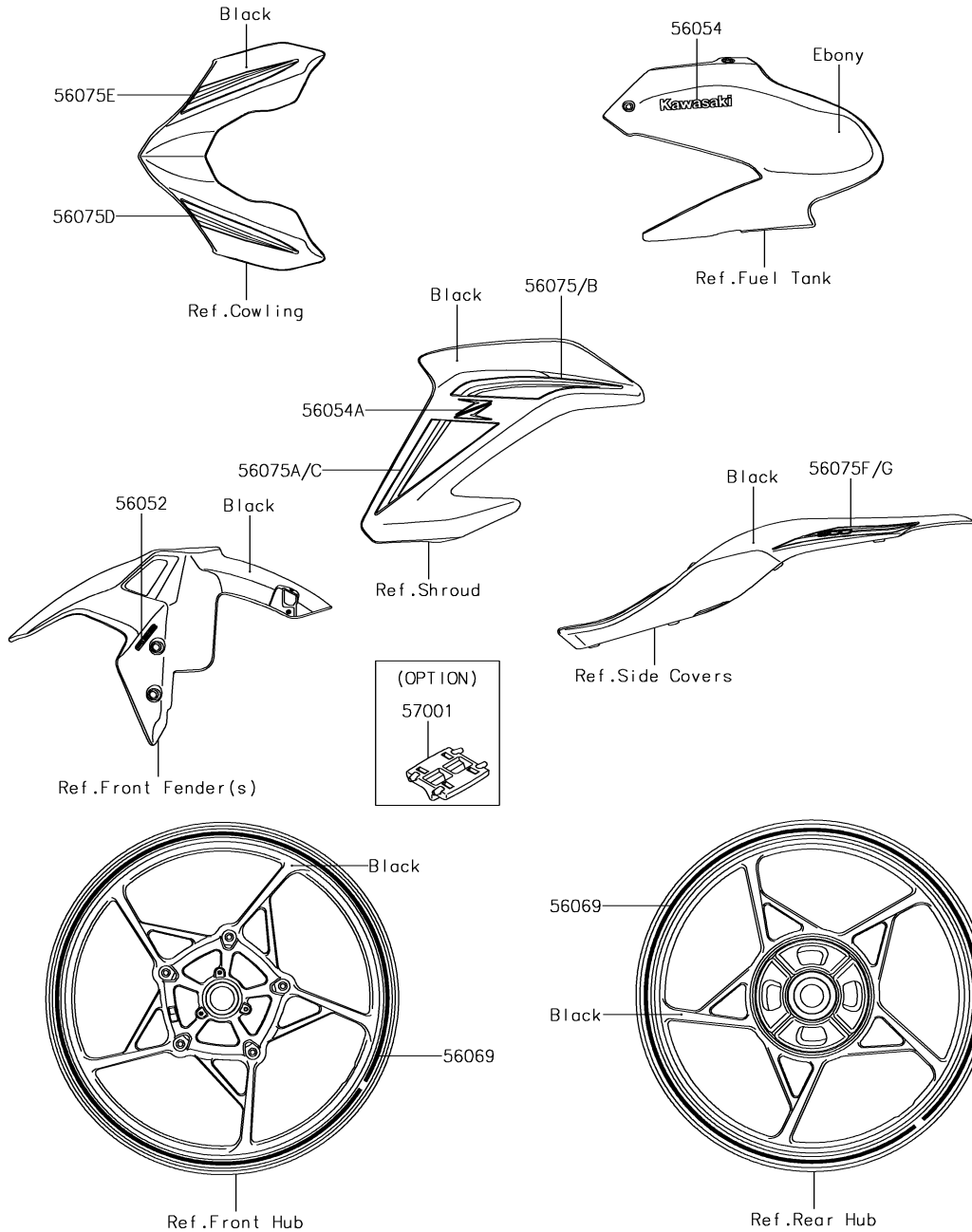


61. Decals(Red)

Ref. No.	Part No.	Description	Spec Code	Quantity				
				'18				
56052	56052-0784	MARK,FR FENDER,ABS						2
56054	56054-1356	MARK,KAWASAKI						2
56054A	56054-2369	MARK,SHROUD,Z,3D						2
56069	56069-0301	PATTERN,WHEEL,RED						4
56075	56075-3807	PATTERN,SHROUD,LH,UPP						1
56075A	56075-3808	PATTERN,SHROUD,LH,LWR						1
56075B	56075-3809	PATTERN,SHROUD,RH,UPP						1
56075C	56075-3810	PATTERN,SHROUD,RH,LWR						1
56075D	56075-3811	PATTERN,UPP COWL.,LH						1
56075E	56075-3812	PATTERN,UPP COWL.,RH						1
56075F	56075-3813	PATTERN,TAIL COVER,LH						1
56075G	56075-3814	PATTERN,TAIL COVER,RH						1
57001	57001-1752	RIM STRIPE APPLICATOR (OPTION)						AR

'18 ZR900 BJJ

F2861B

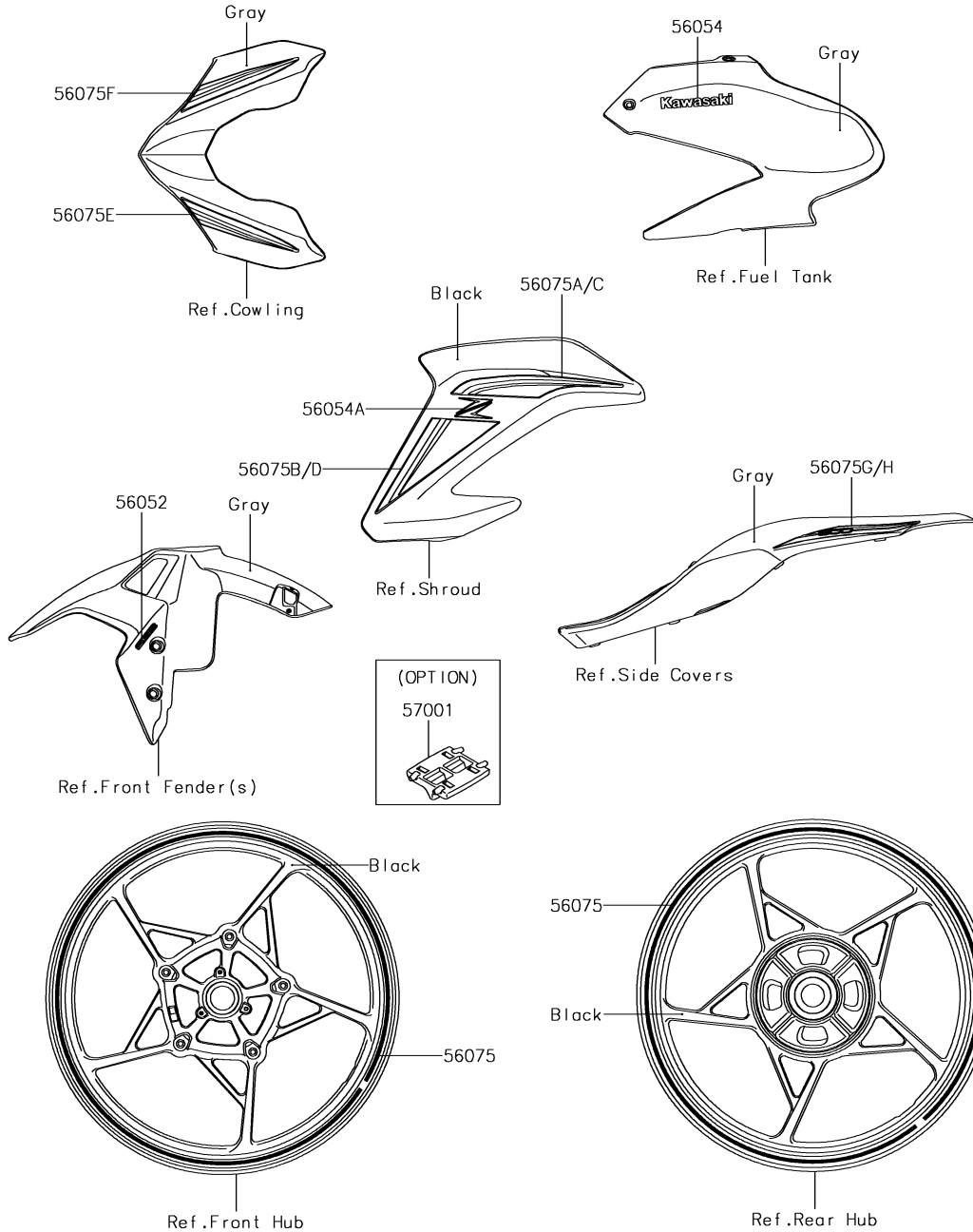


62. Decals(Ebony)

Ref. No.	Part No.	Description	Spec Code	Quantity			
				'18			
56052	56052-0869	MARK,FR FENDER,ABS				2	
56054	56054-1356	MARK,KAWASAKI				2	
56054A	56054-2369	MARK,SHROUD,Z,3D				2	
56069	56069-0301	PATTERN,WHEEL,RED				4	
56075	56075-3799	PATTERN,SHROUD,LH,UPP				1	
56075A	56075-3800	PATTERN,SHROUD,LH,LWR				1	
56075B	56075-3801	PATTERN,SHROUD,RH,UPP				1	
56075C	56075-3802	PATTERN,SHROUD,RH,LWR				1	
56075D	56075-3803	PATTERN,UPP COWL.,LH				1	
56075E	56075-3804	PATTERN,UPP COWL.,RH				1	
56075F	56075-3805	PATTERN,TAIL COVER,LH				1	
56075G	56075-3806	PATTERN,TAIL COVER,RH				1	
57001	57001-1752	RIM STRIPE APPLICATOR (OPTION)				AR	

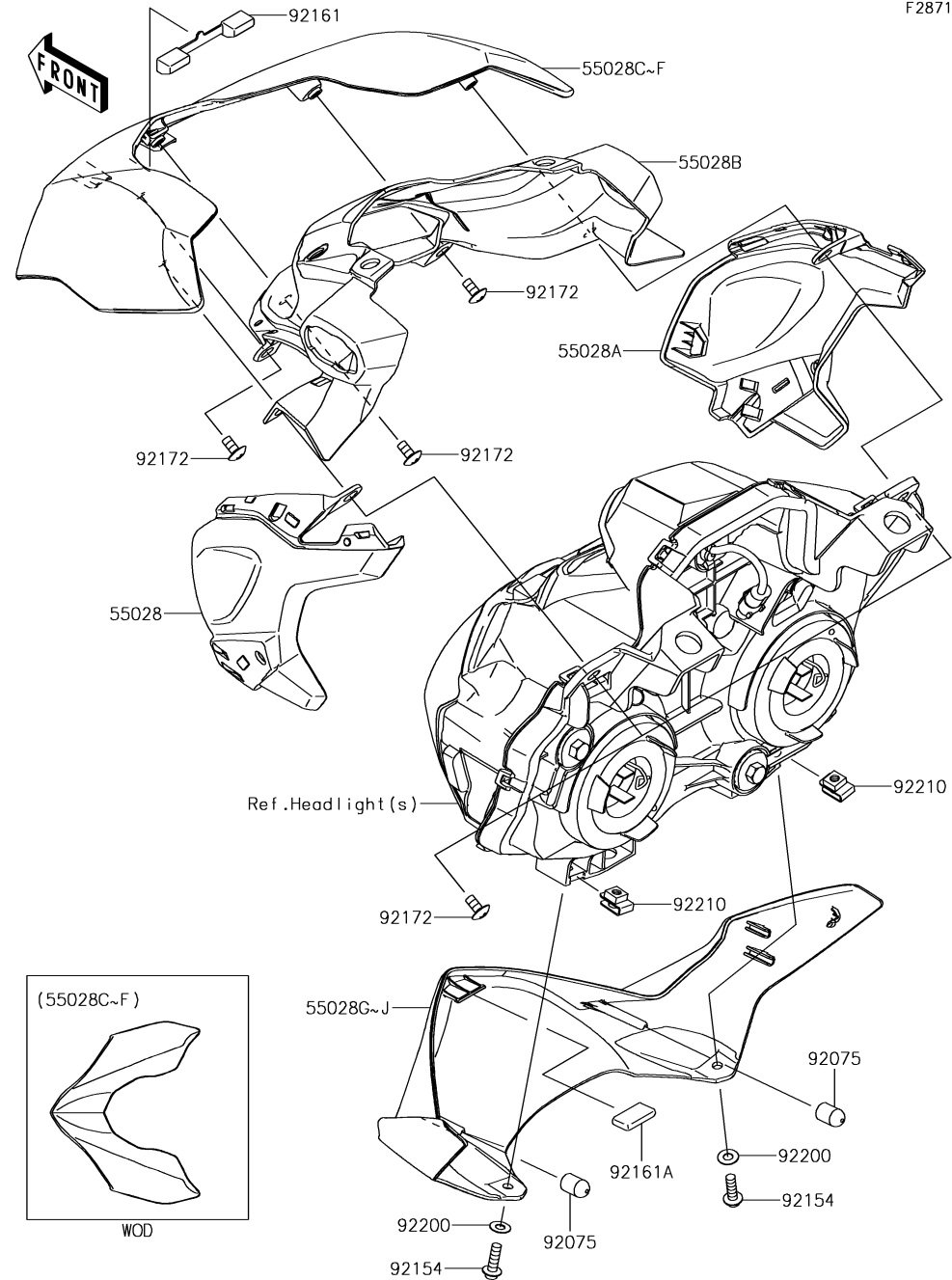
'18 ZR900 BJJ

F2861C



63. Decals(Gray)

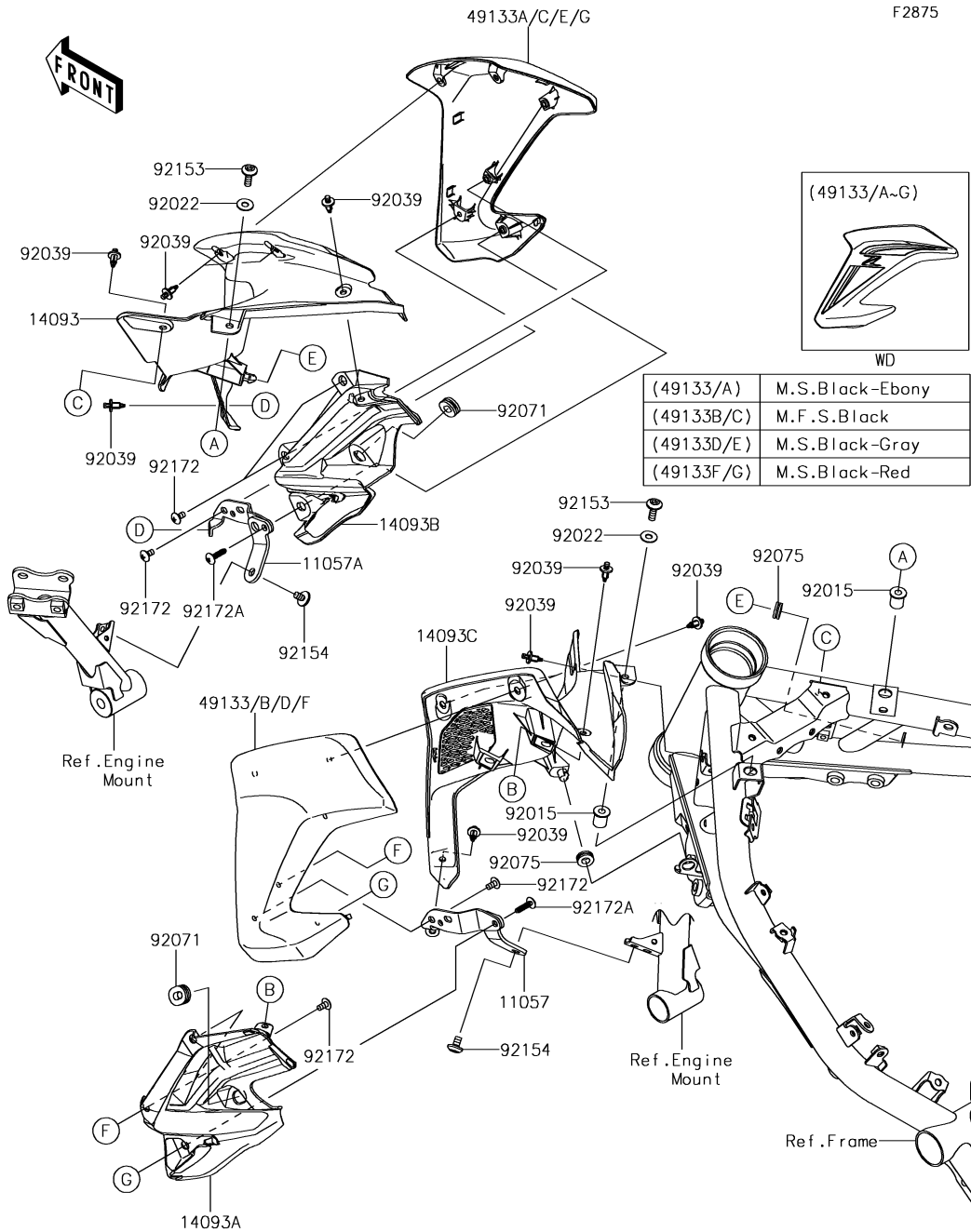
Ref. No.	Part No.	Description	Spec Code	Quantity			
				'18			
56052	56052-0869	MARK,FR FENDER,ABS				2	
56054	56054-1356	MARK,KAWASAKI				2	
56054A	56054-2369	MARK,SHROUD,Z,3D				2	
56075	56075-2279	PATTERN,WHEEL,GRN,4X1353				4	
56075A	56075-2584	PATTERN,SHROUD,LH,UPP				1	
56075B	56075-2585	PATTERN,SHROUD,LH,LWR				1	
56075C	56075-2586	PATTERN,SHROUD,RH,UPP				1	
56075D	56075-2587	PATTERN,SHROUD,RH,LWR				1	
56075E	56075-2588	PATTERN,UPP COWL.,LH				1	
56075F	56075-2589	PATTERN,UPP COWL.,RH				1	
56075G	56075-2590	PATTERN,TAIL COVER,LH				1	
56075H	56075-2591	PATTERN,TAIL COVER,RH				1	
57001	57001-1752	RIM STRIPE APPLICATOR (OPTION)				AR	



64. Cowling

Ref. No.	Part No.	Description	Spec Code	Quantity			
				'18			
				BJF			
55028	55028-0605	COWLING, SIDE, LH					1
55028A	55028-0606	COWLING, SIDE, RH					1
55028B	55028-0608	COWLING, SIGNAL					1
55028C	55028-5481-36P	COWLING, UPP, P.M. GRAY, WOD					1
55028D	55028-5481-51P	COWLING, UPP, C.L. GREEN, WOD					1
55028E	55028-5481-660	COWLING, UPP, M.S. BLACK, WOD					1
55028F	55028-5481-A5	COWLING, UPP, C.P. RED, WOD					1
55028G	55028-5484-36P	COWLING, LWR, P.M. GRAY					1
55028H	55028-5484-45L	COWLING, LWR, F. EBONY					1
55028I	55028-5484-739	COWLING, LWR, M.F.S. BLACK					1
55028J	55028-5484-A5	COWLING, LWR, C.P. RED					1
92075	92075-1964	DAMPER					2
92154	92154-0209	BOLT, SOCKET, 5X16					2
92161	92161-0885	DAMPER					1
92161A	92161-1367	DAMPER, 12X23					1
92172	92172-0864	SCREW, 5X10					5
92200	92200-0006	WASHER, NYLONE, 5.3X11.5X0.5					2
92210	92210-0935	NUT, PLATE, 5MM					2

'18 ZR900 BJJ



65. Shroud

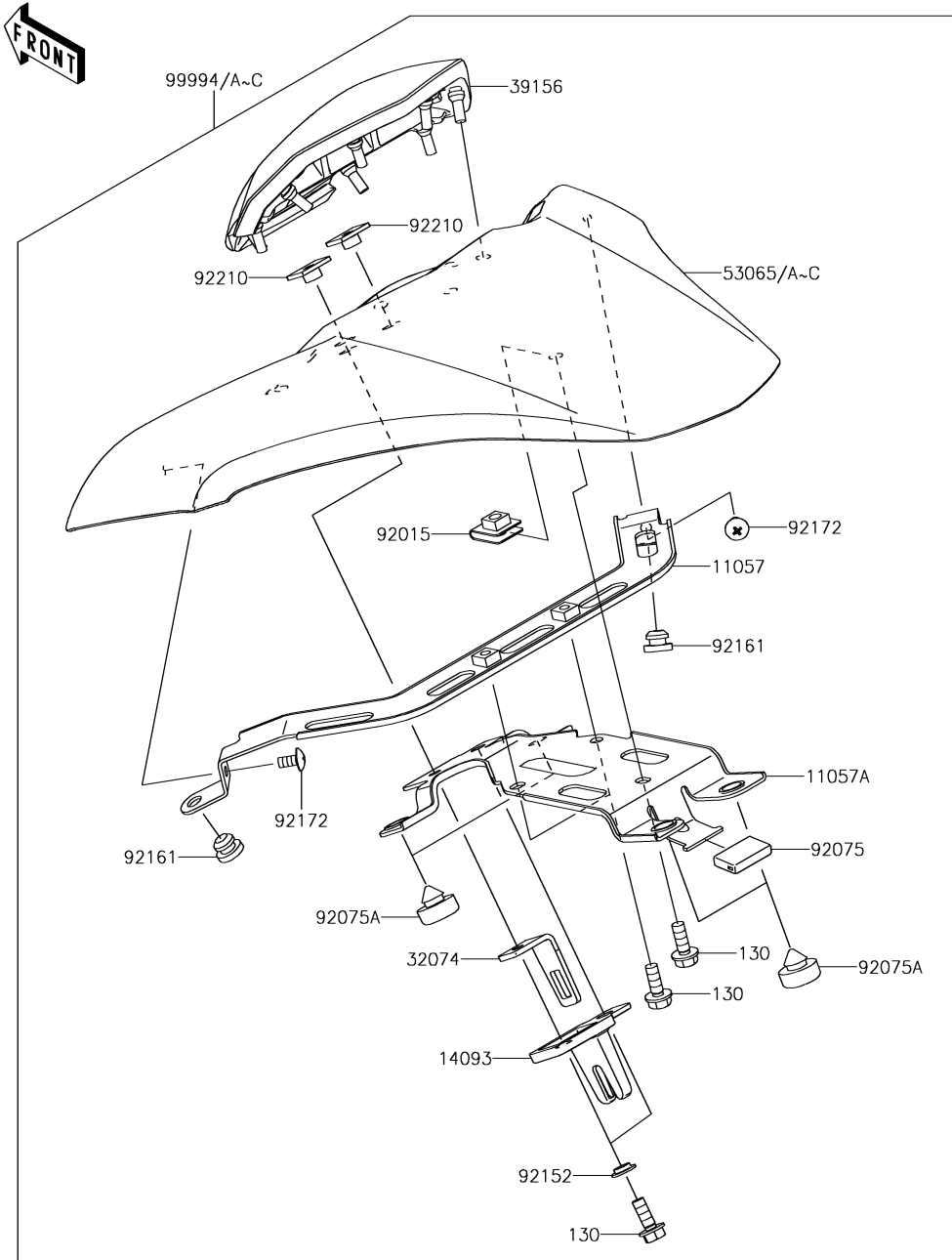
Ref. No.	Part No.	Description	Spec Code	Quantity			
				'18			
				BJF			
11057	11057-0254	BRACKET,SHROUD,LH					1
11057A	11057-0255	BRACKET,SHROUD,RH					1
14093	14093-0506	COVER,INNER,RH,FR					1
14093A	14093-0507	COVER,INNER,LH,RR					1
14093B	14093-0508	COVER,INNER,RH,RR					1
14093C	14093-0638	COVER,INNER,LH,FR					1
49133	49133-5392-660	SHROUD,LH,M.S.BLACK					1
49133A	49133-5393-660	SHROUD,RH,M.S.BLACK					1
49133B	49133-5394-739	SHROUD,LH,M.F.S.BLACK					1
49133C	49133-5395-739	SHROUD,RH,M.F.S.BLACK					1
49133D	49133-5396-660	SHROUD,LH,M.S.BLACK					1
49133E	49133-5397-660	SHROUD,RH,M.S.BLACK					1
49133F	49133-5398-660	SHROUD,LH,M.S.BLACK					1
49133G	49133-5399-660	SHROUD,RH,M.S.BLACK					1
92015	92015-1700	NUT					2
92022	92022-1654	WASHER,6.5X16X1.0					2
92039	92039-0068	RIVET					10
92071	92071-0762	GROMMET,11X23X7					2
92075	92075-161	DAMPER					2
92153	92153-0816	BOLT,6X18					2
92154	92154-2667	BOLT,SOCKET,6X10					2
92172	92172-0864	SCREW,5X10					6
92172A	92172-1159	SCREW,TAPPING,5X20					2

F2910

66. Accessory(Single Seat Cover)

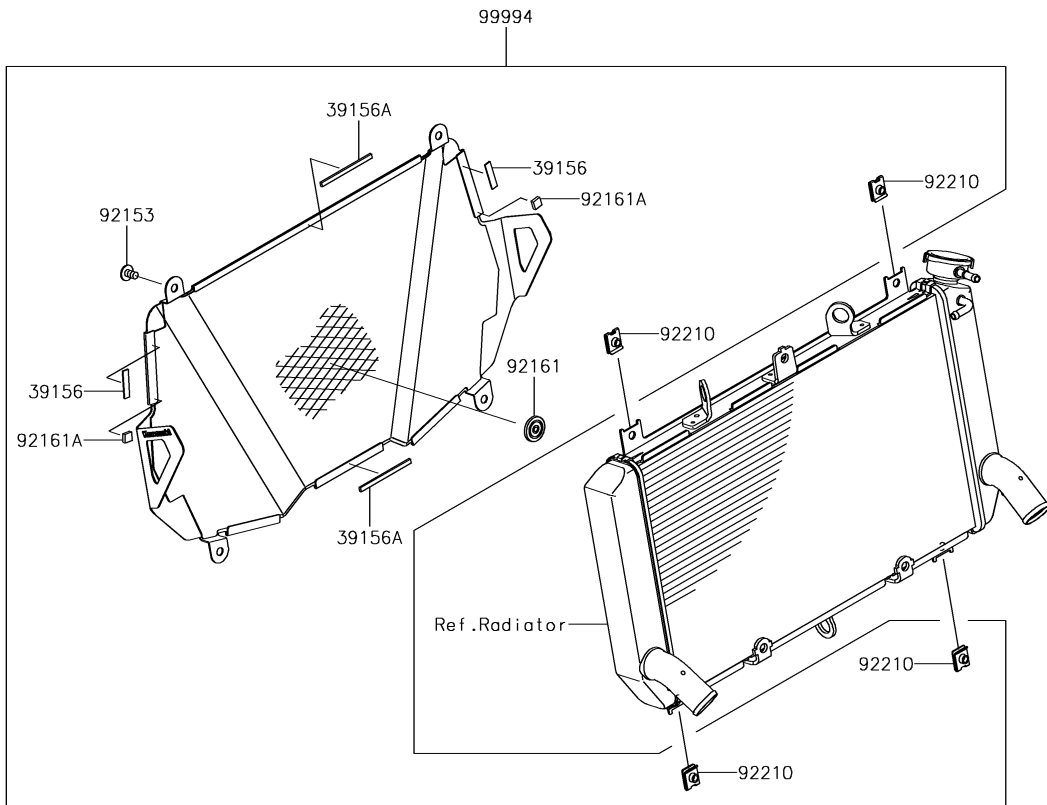
Ref. No.	Part No.	Description	Spec Code	Quantity			
				'18			
				BJF			

11057	11057-0269	BRACKET					1
11057A	11057-0270	BRACKET,MOUNT					1
14093	14093-0515	COVER					1
32074	32074-0017	BRACKET-LOCK					1
39156	39156-2122	PAD					1
53065	53065-0050-36P	COVER SEAT,P.M.GRAY					1
53065A	53065-0050-51P	COVER SEAT,C.L.GREEN					1
53065B	53065-0050-660	COVER SEAT,M.S.BLACK					1
53065C	53065-0050-A5	COVER SEAT,C.P.RED					1
92015	92015-1531	NUT,CLAMP,6MM					1
92075	92075-1446	DAMPER					1
92075A	92075-1927	DAMPER,10X20X8					4
92152	92152-0250	COLLAR					2
92161	92161-1084	DAMPER					2
92172	92172-0864	SCREW,5X10					2
92210	92210-1352	NUT,PLATE,6MM					2
99994	99994-1111-36P	KIT,SINGLE SEAT COVER,P.M.GRAY					1
99994A	99994-1111-51P	KIT,SINGLE SEAT COVER,C.L.GRN					1
99994B	99994-1111-660	KIT,SINGLE SEAT COVER,M.S.BLK					1
99994C	99994-1111-A5	KIT,SINGLE SEAT COVER,C.P.RED					1
130	130BB0616	BOLT-FLANGED,6X16					5



F2910A

67. Accessory(Radiator Screen)

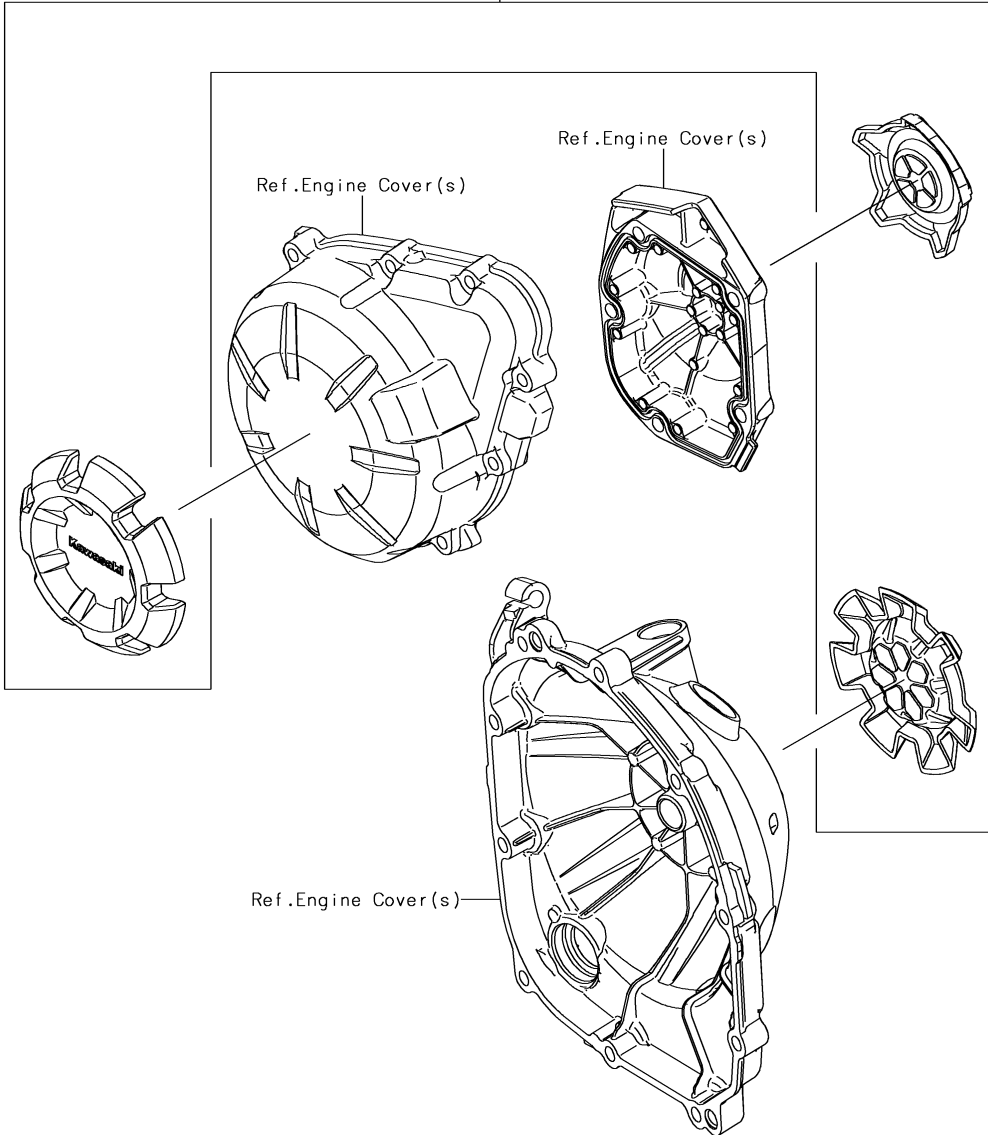


Ref. No.	Part No.	Description	Spec Code	Quantity			
				'18			
39156	39156-2167	PAD,6X25X1		2			
39156A	39156-2189	PAD,4X60X2		2			
92153	92153-1527	BOLT,SOCKET,6X10		4			
92161	92161-1685	DAMPER,8X22X10		1			
92161A	92161-1976	DAMPER		2			
92210	92210-1518	NUT		4			
99994	99994-0871	KIT-ACCESSORY,SE RAD. SCREEN		1			

F2910B

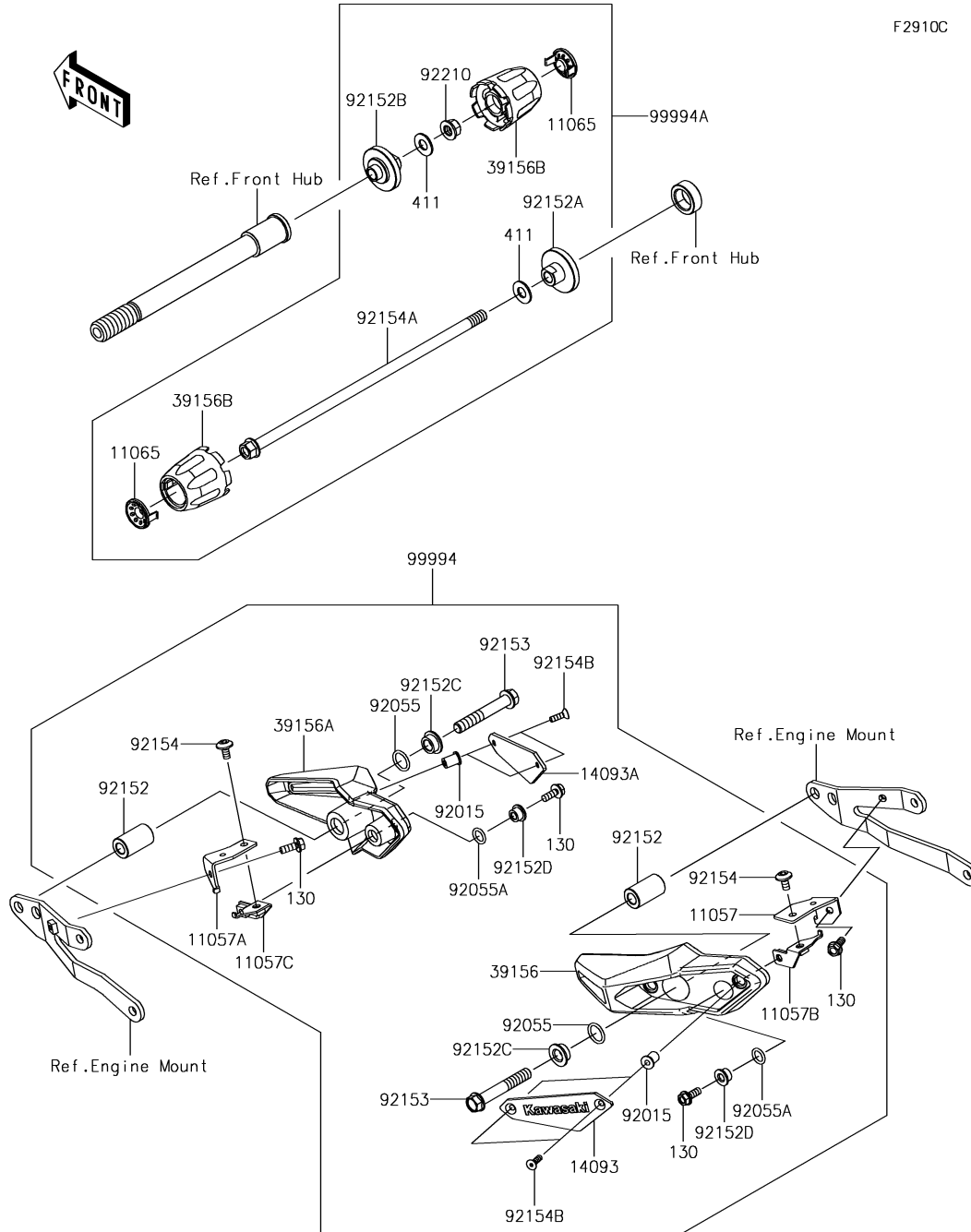


99994



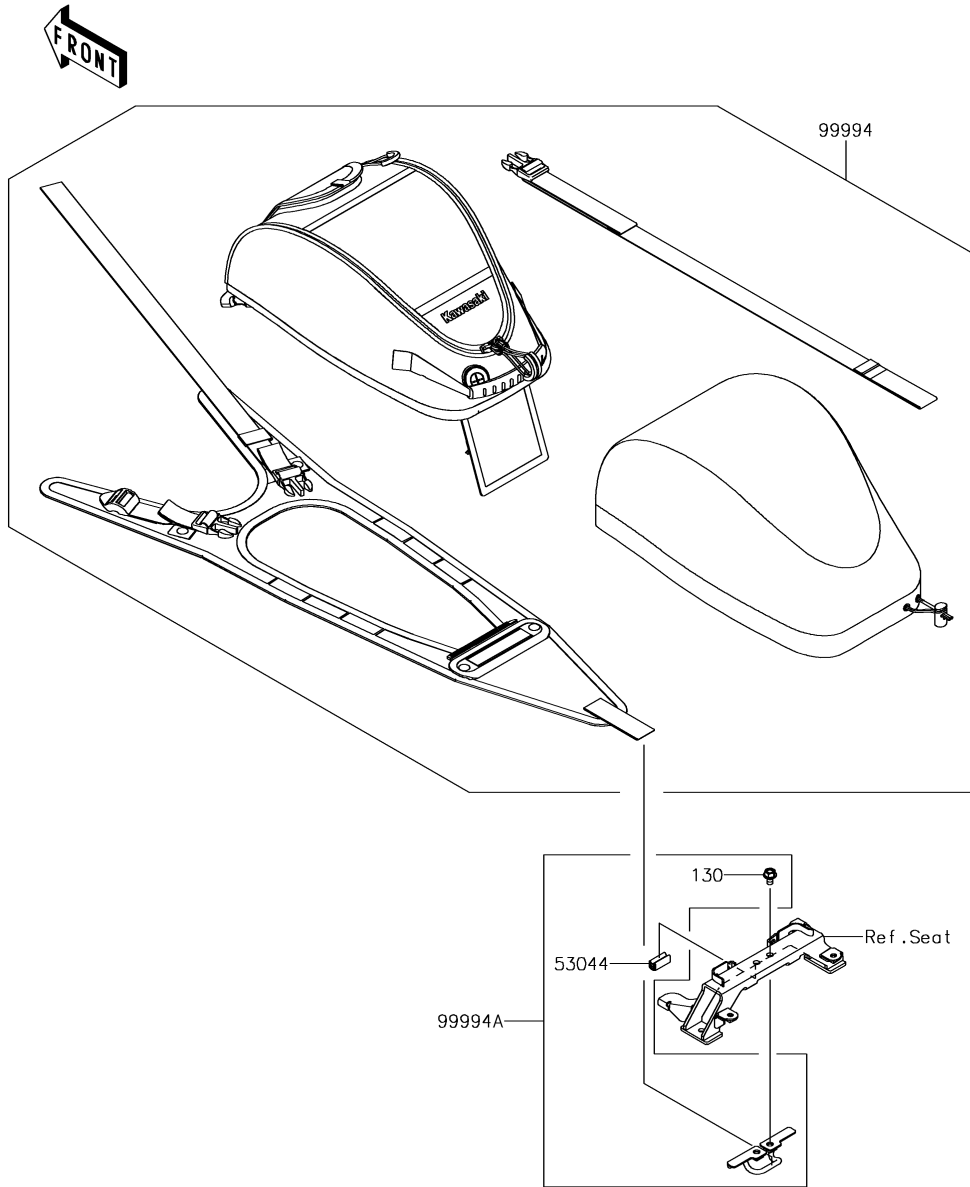
68. Accessory(Engine Cover Ring)

Ref. No.	Part No.	Description	Spec Code	Quantity			
				'18			
99994	99994-0868	KIT-ACCESSORY,ENG. COVER RING					1



Ref. No.	Part No.	Description	Spec Code	Quantity			
				'18			
				BJF			
11057	11057-0313	BRACKET,LH					1
11057A	11057-0314	BRACKET,RH					1
11057B	11057-0778	BRACKET,LH					1
11057C	11057-0779	BRACKET,RH					1
11065	11065-0960-54N	CAP,B.SILVER					2
14093	14093-0516	COVER,LH					1
14093A	14093-0517	COVER,RH					1
39156	39156-2123	PAD,LH					1
39156A	39156-2124	PAD,RH					1
39156B	39156-2212	PAD,AXLE SLIDER					2
92015	92015-1757	NUT,WELL,5MM					4
92055	92055-0884	RING-O,15.8X2.4					2
92055A	92055-0885	RING-O,11X2.4					2
92152	92152-2268	COLLAR,10.5X20X34					2
92152A	92152-2272	COLLAR,LH					1
92152B	92152-2273	COLLAR,RH					1
92152C	92152-2334	COLLAR,10.5X22X8.1					2
92152D	92152-2335	COLLAR,6.5X16X8.1					2
92153	92153-1931	BOLT,FLANGED,10X65					2
92154	92154-1788	BOLT,SOCKET,6X12					2
92154A	92154-2250	BOLT,AXLE,10X300					1
92154B	92154-2669	BOLT,SOCKET,5X16					4
92210	92210-1139	NUT,LOCK,FLANGED,10MM					1
99994	99994-0836	KIT-ACCESSORY,SHROUD SLIDER					1
99994A	99994-0837	KIT-ACCESSORY,FR AXLE SLIDER					1
130	130CB0616	BOLT-FLANGED,6X16					4
411	411AA1000	WASHER-PLAIN,10MM					2

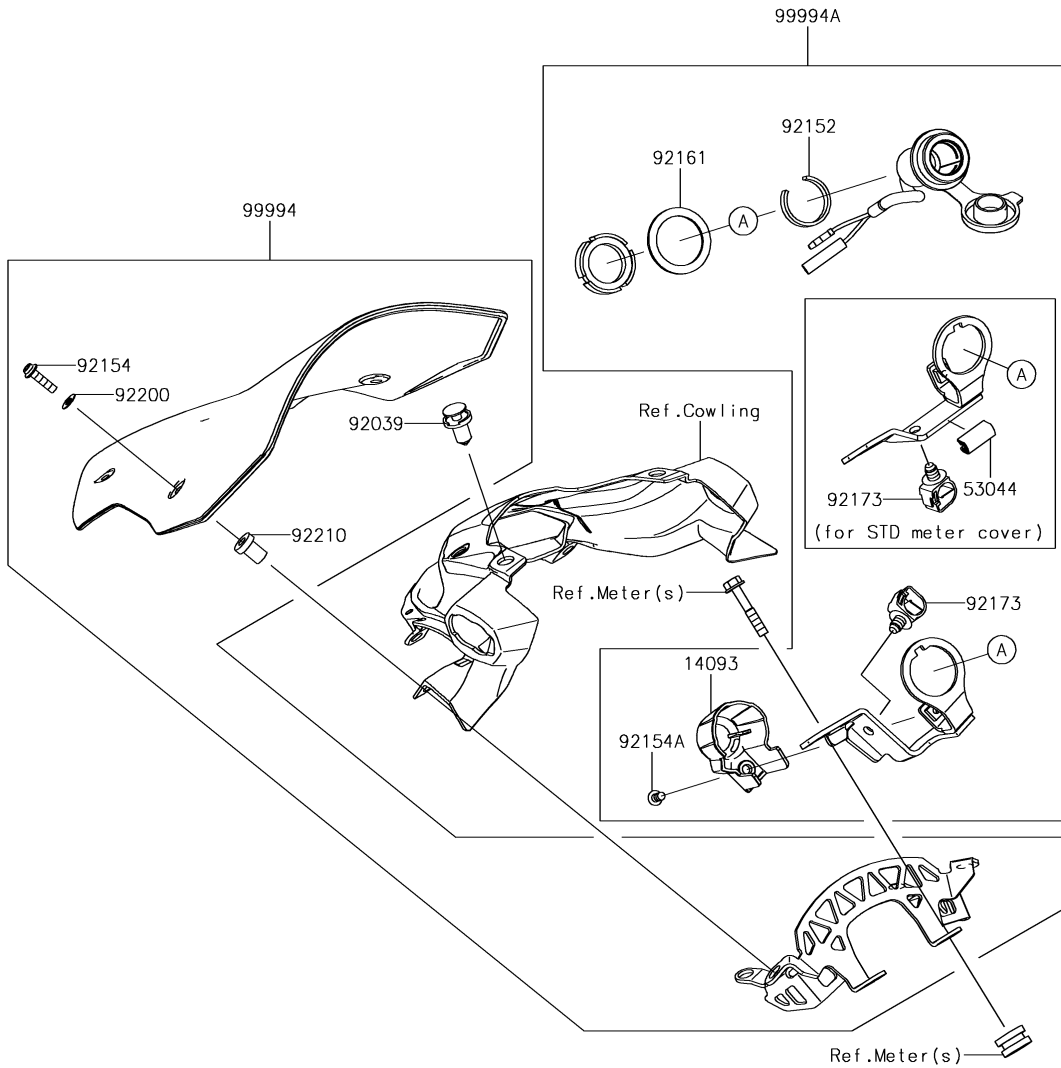
F2910D



70. Accessory(Tank Bag)

Ref. No.	Part No.	Description	Spec Code	Quantity				
				'18				
53044	53044-0031	TRIM,L=22						1
99994	99994-0803	KIT-ACCESSORY,TANK BAG						1
99994A	99994-0986	KIT-ACCESSORY,BKT FOR TANKBAG						1
130	130BA0610	BOLT-FLANGED,6X10						2

F2910E



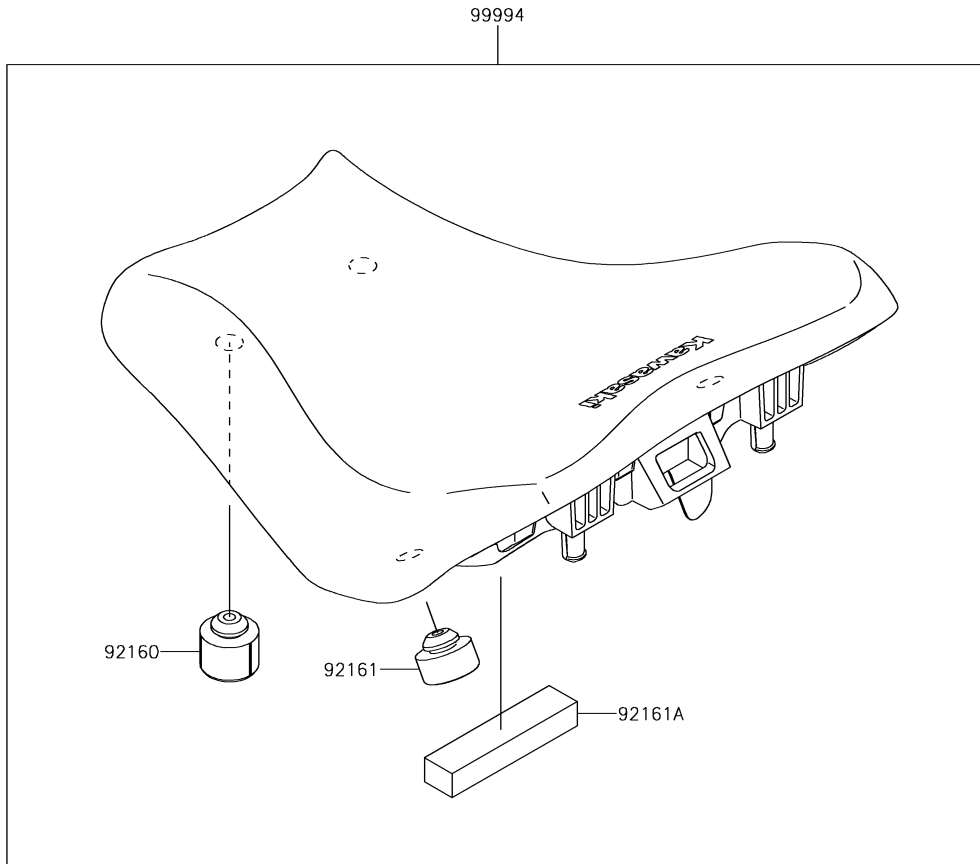
71. Accessory(Large Meter Cover)

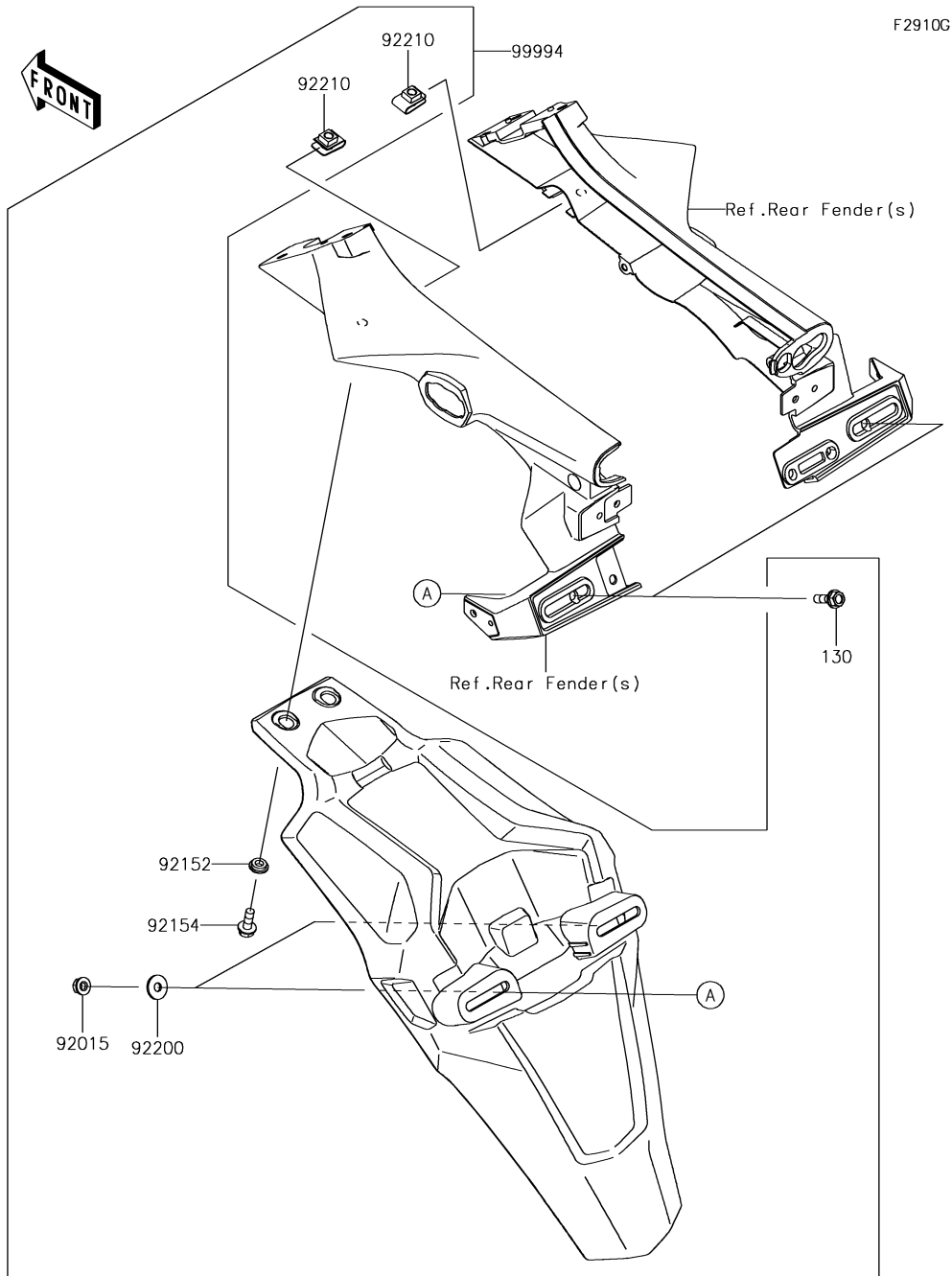
Ref. No.	Part No.	Description	Spec Code	Quantity			
				'18			
				BJF			
14093	14093-0212	COVER,SOCKET					1
53044	53044-0031	TRIM,L=22					1
92039	92039-0098	RIVET					2
92152	92152-2135	COLLAR					1
92154	92154-0210	BOLT,SOCKET,5X20					4
92154A	92154-0917	BOLT,SOCKET,5X12					1
92161	92161-1789	DAMPER					1
92173	92173-0736	CLAMP,12MM DIA.					1
92200	92200-0006	WASHER,NYLONE,5.3X11.5X0.5					4
92210	92210-0001	NUT,5MM					4
99994	99994-0834	KIT-ACCESSORY,LARGE METER COV					1
99994A	99994-0838	KIT-ACCESSORY,12V POWER SOCKET					1



72. Accessory(High Seat)

Ref. No.	Part No.	Description	Spec Code	Quantity				
				'18				
92160	92160-1513	DAMPER						2
92161	92161-0930	DAMPER,SEAT						2
92161A	92161-1867	DAMPER,20X90X15						1
99994	99994-0931	KIT-ACCESSORY,HIGH SEAT						1





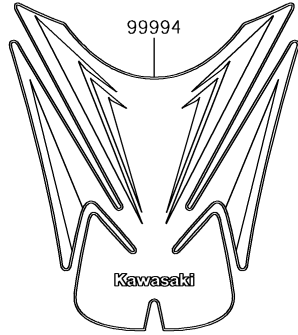
73. Accessory(Extended Flap)

Ref. No.	Part No.	Description	Spec Code	Quantity	
				'18	BJF
92015	92015-1367	NUT,FLANGED,6MM		2	
92152	92152-2306	COLLAR,6.2X14X3.7		2	
92154	92154-1893	BOLT,FLANGED-SMALL,6X16		2	
92200	92200-0766	WASHER,6.5X18X1.6		2	
92210	92210-0933	NUT,CLIP,6MM		2	
99994	99994-0848	KIT-ACCESSORY,EXTENDED FLAP		1	
130	130BA0620	BOLT-FLANGED,6X20		2	

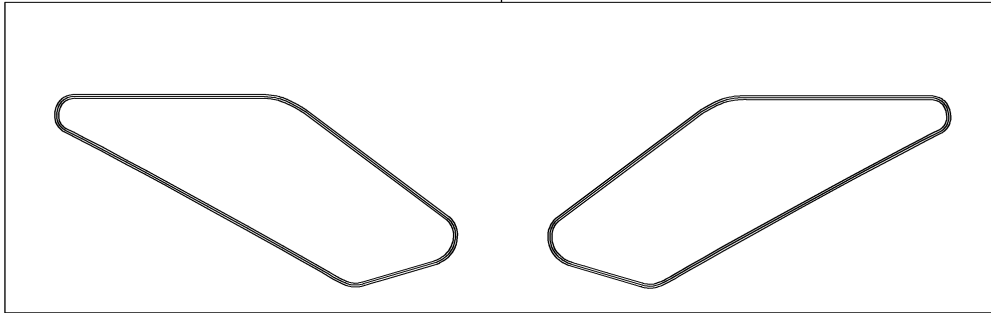
F2910H

74. Accessory(Pads)

Ref. No.	Part No.	Description	Spec Code	Quantity			
				'18			
99994	99994-0832	KIT-ACCESSORY,TANK PAD					1
99994A	99994-0833	KIT-ACCESSORY,KNEE PAD					1

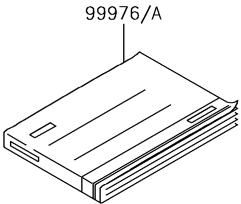


99994A



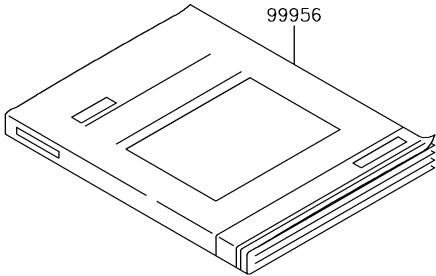
F2920

Owner's Manual
(Local Procurement)



Ref. No.	Language
(99976)	English
	French
	German
(99976A)	Italian
	Spanish
	Dutch

Service Manual



Ref. No.	Language
(99901)	Dutch
(99924)	English
(99953)	German
(99954)	French
(99955)	Italian
(99956)	Spanish

75. Manual

Ref. No.	Part No.	Description	Spec Code	Quantity				
				'18				
99901	99901-0068-02	SERVICE MANUAL,DUTCH						1
99924	99924-1525-02	SERVICE MANUAL,ENGLISH						1
99953	99953-1108-02	SERVICE MANUAL,GERMAN						1
99954	99954-1128-02	SERVICE MANUAL,FRENCH						1
99955	99955-1095-02	SERVICE MANUAL,ITALIAN						1
99956	99956-1083-02	SERVICE MANUAL,SPANISH						1
99976	99976-0106	OWNER'S MANUAL,EN/FR/DE,ZR900B						1
99976A	99976-0107	OWNER'S MANUAL,IT/ES/NL,ZR900B						1

'18 ZR900 BJJ

Numerical Parts Index

Part No.	Fig No.	Part No.	Fig No.	Part No.	Fig No.	Part No.	Fig No.	Part No.	Fig No.	Part No.	Fig No.
11004-0769	1	12004-0750	6	130BB0635	50	132BA0612	45	16142-0064	22	23062-0964	53
11005-0672	3	12005-0771	6	130CA0614	49	132BA0625	41	16142-0746	22	25023-0128	50
11008-0888	1	12009-0030	6	130CA0816	29	132BA0625	57	16154-0057	22	25031-0725	50
11009-1145	27	12009-1091	6	130CB0616	69	132BC0620	27	16160-0796	22	26006-0001	25
11009-1325	47	12011-1053	6	130CC0616	17	132BC0660	22	16163-0896	18	26006-0001	56
11010-0878	4	12021-0016	2	13102-0072	10	14001-0668	14	16164-0012	21	26006-0052	56
11012-1590	39	12032-0009	6	13107-0157	7	14013-1051	14	18018-0603	16	26006-0055	56
11013-0760	4	12032-0018	6	13107-0214	22	14014-0036	14	18110-0196	5	26006-1080	25
11056-0237	57	12046-0564	7	13107-1376	7	14026-0132	16	21003-0174	23	26006-1080	56
11056-0238	57	12048-0080	7	13107-1377	25	14031-0611	16	21007-0579	24	26011-0275	56
11057-0247	54	12053-0161	7	13127-0674	11	14032-0630	16	21007-0643	42	26011-0947	56
11057-0251	57	12053-0162	7	13128-0698	11	14073-0852	4	21007-0645	45	26011-0948	56
11057-0254	65	12053-0163	7	13140-0061	12	14073-0853	4	21007-0646	23	26011-0949	25
11057-0255	65	120CA0512	48-1	13140-0062	12	14073-0854	4	21007-5072	57	26012-0730	56
11057-0256	41	120CA0525	20	13144-0579	11	14092-0001	54	21039-0004	25	26031-2159	20
11057-0258	44	120CA0616	26	13145-0568	12	14092-0109	25	21040-0003	25	26031-2351	56
11057-0269	66	120CA0645	45	13159-0008	44	14093-0144	27	21066-0753	23	27002-0025	56
11057-0270	66	120CB0510	25	13161-0592	13	14093-0212	71	21163-0748	25	27002-1097	56
11057-0286	21	120CB0622	42	13168-0115	9	14093-0506	65	21171-0033	24	27003-0121	56
11057-0287	20	120CB0625	46	13187-0031	10	14093-0507	65	21175-1212	20	27005-0590	57
11057-0291	17	13001-0788	3	13194-1096	25	14093-0508	65	21176-0009	20	27008-0558	57
11057-0293	17	13002-0004	3	13216-0020	22	14093-0511	30	21176-0026	20	27010-0025	42
11057-0294	17	13008-0571	3	13234-0038	9	14093-0512	50	21176-0048	20	27010-0722	57
11057-0295	17	13031-0851	8	13236-0068	13	14093-0515	66	21176-0111	18	27010-0770	25
11057-0299	2	13041-0559	9	13236-0140	42	14093-0516	69	21176-0825	12	27010-0847	57
11057-0313	69	13042-0022	33	13236-0783	13	14093-0517	69	21176-0835	20	27010-0849	46
11057-0314	69	13042-5011	46	13236-0784	13	14093-0519	16	21176-0845	12	27010-1313	14
11057-0316	56	13045-1057	4	13239-0581	12	14093-0521	2	21176-0846	12	27016-0008	57
11057-0317	56	13070-0795	45	13251-0726-II	8	14093-0526	50	21176-0861	42	27016-5380	57
11057-0319	57	13087-0583	10	13262-1233	11	14093-0638	65	21176-0870	45	27045-5484	57
11057-0563	56	13088-0568	10	13262-1234	11	14093-0667	48	21181-0014	57	28012-1077	57
11057-0778	69	13088-0588	10	13262-1235	11	14093-0668	48	220AB0525	46	28012-1088	57
11057-0779	69	13089-0023	10	13262-1236	11	14093-5194-54N	30	224AB0408	55	31064-0692	18
11057-0874	17	13089-0024	10	13262-1237	11	14093-5195-54N	30	225AB0412	44	311AA0600	30
11060-1103	5	13089-1073	10	13262-1238	11	16007-0034	6	23007-0205	55	32033-1535	22
11061-0107	22	13089-1084	10	13262-1239	11	16007-0711	10	23007-0206	55	32046-0401	49
11061-0402	3	13089-1115	10	13262-1240	11	16007-1227	6	23007-0210	53	32046-0418	49
11061-0403	16	13095-0118	10	13262-1241	11	16014-0017	18	23008-0181	53	32074-0017	66
11061-0404	16	130BA0512	24	13262-1242	11	16065-0132	1	23016-0607	54	32085-0742	47
11061-0447	5	130BA0610	56	13272-0573	42	16073-0053	25	23017-1067	53	32085-0801	33
11061-1213	2	130BA0610	70	13272-0698	14	16073-1123	18	23025-0361	54	32085-0820	57
11061-1214	2	130BA0612	41	13272-0699	14	16082-0769	41	23026-0028	54	32085-0821	57
11061-1215	4	130BA0612	56	13272-1413	10	16085-0134	9	23037-0342	55	32097-0045	30
11061-1216	4	130BA0616	56	13272-2238	16	16085-0609	25	23037-0343	55	32160-1008-18R	28
11065-0328	2	130BA0620	73	13280-0306	46	16097-0008	22	23037-0350	55	32160-1008-54S	28
11065-0960-54N	69	130BA0622	41	13280-0307	46	16115-1053	16	23037-0351	55	32190-0721-18R	29
11065-0972-58Z	47	130BA0635	48-1	13280-0814	25	16126-0740	21	23062-0893	56	32190-0722-18R	29
11065-0973-11G	47	130BB0616	53	13280-0880	21	16126-0745	4	23062-0894	56	32190-0723-18R	29
11065-0980	27	130BB0616	66	132BA0612	17	16126-1140	37	23062-0928	50	32190-0724-18R	29
112BB0645	46	130BB0630	4	132BA0612	22	16130-1058	22	23062-0930	56	32190-0725	29

'18 ZR900 BJB

Numerical Parts Index

Part No.	Fig No.	Part No.	Fig No.	Part No.	Fig No.	Part No.	Fig No.	Part No.	Fig No.	Part No.	Fig No.
32190-0726	29	39156-2131	5	43015-0588	42	44065-0042	47	49133-5396-660	65	550AA2015	44
33001-0666-18R	31	39156-2146	56	43015-0650	44	44065-1114	47	49133-5397-660	65	550AA4040	39
33032-0055	31	39156-2147	48	43020-0008	42	44071-1222-58Z	47	49133-5398-660	65	551A0408	22
33040-1109	31	39156-2148	48	43020-1094	44	44071-1223-58Z	47	49133-5399-660	65	551A0814	16
34024-0141-18R	36	39156-2156	53	43022-1010	42	45014-0569-21	32	51001-0861-660	48	56001-0299	46
34028-0004	33	39156-2167	67	43026-0009	44	46003-0673-18R	46	51001-0861-739	48	56001-0300	46
34028-0005	33	39156-2176	30	43026-0019	42	46012-0376-18R	46	51026-0013	48	56007-0108	58
34028-0349	33	39156-2177	30	43027-0008	42	46012-0377-18R	46	51026-5094-36P	48	56008-0036	58
34028-0350	33	39156-2179	35	43027-1053	44	46019-0001	46	51026-5094-45L	48	56030-0992	56
34028-0351	33	39156-2180	35	43028-0015	42	46075-1144	46	51026-5094-51P	48	56030-0993	56
35019-0624	35	39156-2181	52	43028-1065	44	46076-0122	46	51026-5094-A5	48	56033-0897	59
35019-0625	35	39156-2189	67	43034-0049	42	46091-0344	46	51026-5095-36P	48	56038-1054	59
35023-0421	35	39156-2191	48	43044-0082	45	46091-0345	46	51026-5095-45L	48	56052-0784	61
35023-0435	35	39156-2192	48	43045-1053	43	46092-0569	46	51026-5095-51P	48	56052-0869	62
35038-5046-36P	34	39156-2194	48	43048-0001	43	46102-0621	10	51026-5095-A5	48	56052-0869	63
35038-5046-660	34	39156-2195	48	43048-0008	45	461DB0500	25	51044-0863	19	56053-1498	59
35038-5046-739	34	39156-2196	53	43048-0021	43	480J1100	22	51049-0735	48	56054-1356	60
35038-5046-A5	34	39156-2212	69	43049-0006	43	480J1400	13	52005-1120	16	56054-1356	61
35063-1362-18R	30	39156-2215	48	43049-0007	43	482EA0100	33	53003-0432-MA	49	56054-1356	62
35063-1363-18R	30	39156-2217	30	43049-0030	43	482EA5000	33	53003-0433-MA	49	56054-1356	63
35063-1364	26	39178-0264	5	43049-0031	43	482J0200	13	53044-0031	70	56054-1370	60
35063-1399-18R	30	39188-0564	48	43056-1055	43	49002-0009	1	53044-0031	71	56054-1975	48
35063-1400-18R	30	39188-0564	52	43056-1055	45	49006-0058	45	53065-0050-36P	66	56054-2369	60
36036-5092-36P	48	39188-0566	30	43057-1001	43	49006-1242	45	53065-0050-51P	66	56054-2369	61
36036-5092-45L	48	39192-0631	27	43057-1001	45	49016-0638	26	53065-0050-660	66	56054-2369	62
36036-5092-660	48	39192-0644	27	43058-1100	43	49016-0639	26	53065-0050-A5	66	56054-2369	63
36036-5092-739	48	39193-0054	14	43058-1100	45	49016-0642	53	53066-0581-MA	49	56069-0301	61
36036-5093-36P	48	41009-0694	37	43078-0060	44	49016-0645	56	53066-0582-12Y	49	56069-0301	62
36036-5093-45L	48	41009-0695	37	43080-0130-DJ	43	49016-1044	42	54010-0614	51	56069-7822	60
36036-5093-660	48	41068-0618	38	43080-0131-DJ	43	49016-1103	44	54011-0618	51	56071-0694	59
36036-5093-739	48	41068-0619	39	43080-0156-DJ	45	49033-0034	18	54012-0646	51	56071-0774	59
36041-5264-36P	52	41073-0706-QT	39	43082-0151	45	49034-0049	17	54012-0647	51	56075-2279	63
36041-5264-51P	52	41073-0713-QT	38	43082-0168	43	49040-0756	19	55020-1961	31	56075-2584	63
36041-5264-660	52	41075-0007	37	43093-0006	27	49047-0023	12	55020-1962	30	56075-2585	63
36041-5264-A5	52	41075-0008	37	43094-0009	46	49054-0004	27	55020-1963	30	56075-2586	63
39007-0403	32	41075-0009	37	43095-0970	41	49056-0049	18	55020-1966	5	56075-2587	63
39061-0745	26	41080-0668	45	43095-0999	41	49063-1055	22	55020-1967	5	56075-2588	63
39062-0618	27	41080-0676-11I	43	43095-1000	41	49065-0026	22	55028-0605	64	56075-2589	63
39062-0758	27	410AB0600	46	43095-1426	44	49069-0823	5	55028-0606	64	56075-2590	63
39062-0765	27	411AA0600	41	43095-1432	44	49078-0073	6	55028-0608	64	56075-2591	63
39062-0785	27	411AA1000	69	43095-1494	44	49078-0743	6	55028-5481-36P	64	56075-3799	62
39062-0786	27	42033-0570	39	44008-0062-499	47	49085-0006	26	55028-5481-51P	64	56075-3800	62
39062-1208	27	42036-0050	45	44013-0292	47	49091-0001	41	55028-5481-660	64	56075-3801	62
39110-0033	13	42036-0803	31	44013-0319	47	49091-0001	44	55028-5481-A5	64	56075-3802	62
39111-0311	32	42036-1251	39	44018-0003	47	49118-0941	7	55028-5482-739	17	56075-3803	62
39156-2122	66	42036-1342	32	44023-0139	47	49118-0942	7	55028-5483-739	17	56075-3804	62
39156-2123	69	42041-0158	39	44026-0208	47	49133-5392-660	65	55028-5484-36P	64	56075-3805	62
39156-2124	69	42045-018	39	44037-0167-18R	47	49133-5393-660	65	55028-5484-45L	64	56075-3806	62
39156-2129	20	43001-0749	40	44039-0167-18R	47	49133-5394-739	65	55028-5484-739	64	56075-3807	61
39156-2130	5	43010-0020	44	44041-040	47	49133-5395-739	65	55028-5484-A5	64	56075-3808	61

'18 ZR900 BJJ

Numerical Parts Index

Part No.	Fig No.	Part No.	Fig No.	Part No.	Fig No.	Part No.	Fig No.	Part No.	Fig No.	Part No.	Fig No.
56075-3809	61	92009-3845	57	92033-1043	39	92046-1303	11	92065-097	17	92139-0067	10
56075-3810	61	92015-1180	29	92033-1054	3	92048-0016	11	92066-0032	47	92139-0122	8
56075-3811	61	92015-1191	46	92033-1186	44	92048-0018	25	92066-0071	28	92139-0123	8
56075-3812	61	92015-1197	46	92033-1249	11	92049-0073	47	92066-0079	17	92139-0124	8
56075-3813	61	92015-1311	8	92037-010	48	92049-0130	38	92066-0832	1	92139-0217	8
56075-3814	61	92015-1367	21	92037-1124	18	92049-0131	28	92066-0836	14	92139-0218	8
56075-3815	60	92015-1367	73	92037-147	21	92049-0132	31	92069-0053	53	92139-0219	8
56075-3816	60	92015-1476	25	92037-147	27	92049-0137	28	92069-0090	55	92139-0280	11
56075-3817	60	92015-1487	5	92037-1505	27	92049-0140	39	92069-1016	53	92139-0281	11
56075-3818	60	92015-1528	42	92037-1712	4	92049-0798	22	92069-1016	54	92140-0008	33
56075-3819	60	92015-1531	66	92037-2116	21	92049-1223	32	92070-0014	24	92143-1379	46
56075-3820	60	92015-1555	10	92038-1060	23	92049-1287	39	92071-0024	25	92143-1595	13
56075-3821	60	92015-1671	23	92039-0014	56	92049-1349	6	92071-0038	49	92144-1467	46
56075-3822	60	92015-1700	65	92039-0068	65	92049-1380	31	92071-0762	65	92144-1523	13
57001-1752	60	92015-1757	50	92039-0086	35	92049-1448	43	92072-1414	56	92145-0184	43
57001-1752	61	92015-1757	69	92039-0098	71	92049-1449	45	92075-1067	30	92145-0493	45
57001-1752	62	92015-1795	47	92039-1105	59	92049-1450	45	92075-1123	26	92145-0562	36
57001-1752	63	92015-1962	46	92039-1231	34	92049-1474	14	92075-1409	30	92145-0723	33
59026-0043	24	92022-077	22	92039-1289	26	92049-1475	16	92075-1446	66	92145-0893	40
59051-0762	25	92022-1088	46	92041-1060	46	92049-1520	14	92075-1564	57	92145-0946	57
59071-0022	18	92022-1093	30	92042-007	1	92049-2204	9	92075-161	65	92145-1122	13
59256-0555	22	92022-1116	10	92042-007	16	92055-0016	20	92075-1634	17	92145-1319	33
59502-0614	26	92022-112	11	92042-030	22	92055-0021	27	92075-1912	20	92145-1745	10
600A0500	11	92022-1282	40	92043-0137	45	92055-0114	27	92075-1927	66	92145-1769	10
601B6205UU	39	92022-1298	47	92043-0200	33	92055-0136	25	92075-1964	64	92150-1019	14
610A0406	12	92022-1521	17	92043-0820	45	92055-0145	47	92075-277	41	92150-1019	33
610A0410	9	92022-1628	13	92043-0904	44	92055-0199	16	92081-1708	13	92150-1125	32
670B2020	16	92022-1654	65	92043-1037	14	92055-0739	27	92092-1058	32	92150-1154	17
670D1505	14	92022-1868	10	92043-1262	22	92055-0741	44	92092-1081	5	92150-1216	8
670D1509	7	92022-263	54	92043-1263	17	92055-0761	18	92092-1087	5	92150-1251	15
670D2014	17	92022-304	3	92043-1263	22	92055-0785	2	92093-1030	48	92150-1483	15
670D2014	7	92022-326	40	92043-1264	1	92055-0831	27	92093-1472	47	92150-1487	29
670E5075	19	92025-1137	10	92043-1264	14	92055-086	7	92104-0004	58	92150-1794	15
671B2560	39	92026-0045	47	92043-1594	33	92055-0873	30	92104-1064	58	92150-1837	44
92001-1905	33	92026-0082	9	92043-1690	14	92055-0884	69	92104-2068	58	92150-1891	26
92002-1154	22	92026-022	10	92043-4009	2	92055-0885	69	92106-0004	58	92151-1135	16
92002-1322	42	92026-0837	47	92045-0003	11	92055-1020	21	92107-0019	58	92151-1149	31
92002-1323	42	92026-1497	10	92045-0017	31	92055-1276	25	92110-0057	58	92151-1225	17
92002-1796	16	92027-1045	57	92045-0820	38	92055-1339	14	92110-0064	58	92151-1344	3
92004-0048	39	92027-1168	49	92045-0821	39	92055-1370	25	92110-0065	58	92151-1539	15
92004-0050	1	92027-1651	41	92045-1045	12	92055-1503	22	92110-0564	58	92151-1654	17
92005-0826	1	92027-1920	53	92045-1384	28	92055-1536	1	92110-0567	58	92151-1654	30
92005-0842	27	92028-1282	40	92046-0008	31	92055-1571	22	92110-1015	58	92151-1764	27
92005-0846	27	92028-1739	11	92046-0034	16	92055-2187	18	92111-0008	58	92151-1829	7
92005-1238	14	92028-1915	11	92046-0043	14	92055-3018	22	92112-0007	58	92151-1873	16
92005-1380	18	92033-0079	44	92046-1052	10	92057-0202	7	92127-003	58	92151-1915	29
92009-1134	46	92033-015	11	92046-1219	11	92057-0672	39	92139-0023	13	92151-1930	25
92009-1391	50	92033-026	11	92046-1263	10	92058-0041	39	92139-0032	8	92151-1930	7
92009-1984	20	92033-1036	47	92046-1266	9	92062-0040	14	92139-0033	8	92151-1930	9
92009-1984	35	92033-1041	31	92046-1273	32	92062-0046	14	92139-0034	8	92151-1997	27

'18 ZR900 BJF**Numerical Parts Index**

Part No.	Fig No.	Part No.	Fig No.	Part No.	Fig No.	Part No.	Fig No.	Part No.	Fig No.	Part No.	Fig No.
92152-0237	5	92153-1428	29	92154-1429	26	92160-1613	53	92172-0183	46	92180-1024	6
92152-0250	66	92153-1505	13	92154-1788	69	92161-0037	46	92172-0320	42	92180-1026	6
92152-0547	4	92153-1527	67	92154-1838	13	92161-0070	22	92172-0334	25	92180-1028	6
92152-0604	50	92153-1588	27	92154-1850	27	92161-0117	57	92172-0343	54	92180-1030	6
92152-0667	26	92153-1625	47	92154-1865	43	92161-0118	57	92172-0427	54	92180-1032	6
92152-1167	7	92153-1637	15	92154-1865	45	92161-0204	5	92172-0483	4	92180-1034	6
92152-1383	13	92153-1779	2	92154-1866	46	92161-0342	39	92172-0823	21	92180-1036	6
92152-1562	20	92153-1826	45	92154-1887	14	92161-0365	48-1	92172-0828	18	92180-1038	6
92152-1562	54	92153-1837	5	92154-1888	16	92161-0588	48-1	92172-0864	48-1	92180-1040	6
92152-1583	39	92153-1850	25	92154-1893	73	92161-0673	18	92172-0864	54	92180-1042	6
92152-1585	39	92153-1866	25	92154-1942	7	92161-0685	48-1	92172-0864	56	92180-1044	6
92152-1602	5	92153-1931	69	92154-1962	31	92161-0776	54	92172-0864	57	92180-1046	6
92152-1847	48	92154-0026	50	92154-2090	13	92161-0864	30	92172-0864	64	92180-1048	6
92152-2135	71	92154-0205	1	92154-2096	12	92161-0885	64	92172-0864	65	92180-1050	6
92152-2227	38	92154-0209	48	92154-2204	32	92161-0930	72	92172-0864	66	92180-1052	6
92152-2248	36	92154-0209	52	92154-2207	57	92161-1055	9	92172-0901	16	92180-1054	6
92152-2249	38	92154-0209	64	92154-2250	69	92161-1084	66	92172-1117	55	92190-1253	4
92152-2250	39	92154-0210	48	92154-2251	29	92161-1228	5	92172-1159	65	92191-1551	18
92152-2252	48	92154-0210	71	92154-2252	29	92161-1300	13	92172-1194	52	92192-0843	4
92152-2263	11	92154-0287	17	92154-2334	30	92161-1367	64	92173-0284	5	92192-1349	18
92152-2268	69	92154-0299	14	92154-2335	19	92161-1369	54	92173-0736	21	92192-1446	18
92152-2272	69	92154-0313	29	92154-2340	5	92161-1432	30	92173-0736	56	92192-1447	18
92152-2273	69	92154-0351	2	92154-2355	56	92161-1468	48-1	92173-0736	71	92192-1617	18
92152-2274	57	92154-0372	15	92154-2355	57	92161-1475	5	92173-0861	48-1	92192-1688	48-1
92152-2280	30	92154-0403	27	92154-2360	23	92161-1490	47	92173-0861	56	92192-1690	21
92152-2287	30	92154-0413	9	92154-2638	1	92161-1685	67	92173-0868	41	92192-1691	21
92152-2306	73	92154-0477	12	92154-2639	15	92161-1789	71	92173-0868	51	92192-1692	4
92152-2334	69	92154-0477	23	92154-2640	15	92161-1867	49	92173-0927	4	92192-1693	4
92152-2335	69	92154-0484	14	92154-2650	23	92161-1867	72	92173-1022	56	92192-1779	21
92152-2339	52	92154-0505	57	92154-2652	16	92161-1870	20	92173-1201	22	92192-1802	18
92152-2342	48	92154-0745	35	92154-2660	34	92161-1913	49	92173-1321	16	92192-1803	18
92152-2354	30	92154-0774	41	92154-2667	35	92161-1917	54	92173-1360	27	92192-1804	18
92152-2379	31	92154-0774	56	92154-2667	56	92161-1969	49	92173-1429	56	92192-1805	18
92153-0406	1	92154-0784	42	92154-2667	65	92161-1970	49	92173-1600	34	92200-0006	48-1
92153-0446	13	92154-0784	45	92154-2669	69	92161-1971	49	92173-1601	34	92200-0006	64
92153-0474	28	92154-0856	5	92154-2673	26	92161-1976	67	92173-1613	41	92200-0006	71
92153-0506	47	92154-0917	71	92154-2678	30	92170-1060	4	92173-1613	44	92200-0043	33
92153-0549	24	92154-0918	30	92154-2682	54	92170-1091	44	92173-1634	41	92200-0085	47
92153-0574	53	92154-0935	40	92154-2683	46	92170-1493	27	92173-1637	45	92200-0115	15
92153-0627	41	92154-0987	5	92154-2685	44	92170-3749	18	92173-1638	45	92200-0174	13
92153-0627	44	92154-1055	44	92154-2738	5	92171-0290	17	92173-1640	44	92200-0228	11
92153-0628	41	92154-1116	10	92160-1162	4	92171-0316	56	92173-1663	27	92200-0265	13
92153-0649	47	92154-1138	41	92160-1167	48	92171-0534	17	92173-1705	41	92200-0284	54
92153-0656	1	92154-1138	44	92160-1167	50	92171-0652	56	92173-1724	10	92200-0369	23
92153-0802	36	92154-1192	5	92160-1167	53	92171-0729	1	92173-1768	44	92200-0386	25
92153-0816	65	92154-1225	25	92160-1513	72	92171-0782	51	92180-1014	6	92200-0410	22
92153-1045	15	92154-1281	5	92160-1613	17	92171-0817	44	92180-1016	6	92200-0520	11
92153-1089	43	92154-1292	42	92160-1613	30	92171-0818	41	92180-1018	6	92200-0521	11
92153-1093	43	92154-1421	30	92160-1613	48-1	92171-0926	56	92180-1020	6	92200-0556	15
92153-1094	43	92154-1421	48	92160-1613	50	92171-1283	20	92180-1022	6	92200-0753	28

Accessory(Engine Cover Ring)	68	Fuel Pump	19
Accessory(Extended Flap)	73	Fuel Tank	48/48-1
Accessory(High Seat)	72	Gear Change Drum/Shift Fork(s)	12
Accessory(Large Meter Cover)	71	Gear Change Mechanism	13
Accessory(Pads)	74	Generator	23
Accessory(Radiator Screen)	67	Handlebar	46
Accessory(Single Seat Cover)	66	Headlight(s)	53
Accessory(Slider)	69	Ignition Switch	57
Accessory(Tank Bag)	70	Ignition System	24
Air Cleaner	4	Labels	59
Balancer	9	Manual	75
Brake Pedal	40	Meter(s)	50
Brake Piping	41	Muffler(s)	5
Cables	51	Oil Pan	17
Camshaft(s)/Tensioner	7	Oil Pump	22
Chassis Electrical Equipment	56	Owner's Tools	58
Clutch	10	Radiator	26
Cowling	64	Rear Brake	45
Crankcase	14	Rear Fender(s)	35
Crankcase Bolt Pattern	15	Rear Hub	39
Crankshaft	8	Rear Master Cylinder	44
Cylinder Head	1	Seat	49
Cylinder Head Cover	2	Shroud	65
Cylinder/Piston(s)	3	Side Covers	52
Decals(Ebony)	62	Stand(s)	36
Decals(Gray)	63	Starter Motor	25
Decals(Green)	60	Suspension/Shock Absorber	32
Decals(Red)	61	Swingarm	31
Engine Cover(s)	16	Taillight(s)	54
Engine Mount	29	Throttle	18
Footrests	33	Tires	37
Frame	28	Transmission	11
Frame Fittings	30	Turn Signals	55
Front Brake	43	Valve(s)	6
Front Fender(s)	34	Water Pipe	27
Front Fork	47		
Front Hub	38		
Front Master Cylinder	42		
Fuel Evaporative System	21		
Fuel Injection	20		

Kawasaki Heavy Industries, Ltd.
Motorcycle & Engine Company

Part No. 99912-0191-01

©2017, Kawasaki Heavy Industries, LTD

'18 ZR900 BJF(EU)

(Z900)